



US00D894728S

(12) **United States Design Patent** (10) **Patent No.:** **US D894,728 S**
Dwork (45) **Date of Patent:** **** Sep. 1, 2020**

(54) **FOOD CONTAINER**

(71) Applicant: **Michael D. Dwork**, New York, NY (US)

(72) Inventor: **Michael D. Dwork**, New York, NY (US)

(**) Term: **15 Years**

(21) Appl. No.: **29/622,057**

(22) Filed: **Oct. 13, 2017**

(51) **LOC (12) Cl.** **09-03**

(52) **U.S. Cl.**
USPC **D9/420**

(58) **Field of Classification Search**

USPC D9/420, 432, 433, 418, 606; D7/368;
D3/295; D27/187

CPC B65D 5/48038; B65D 5/4204
See application file for complete search history.

(56) **References Cited**

U.S. PATENT DOCUMENTS

4,187,975	A *	2/1980	Shepherd	B65D 5/48038
					217/31
5,271,552	A *	12/1993	McDonnell	B65D 5/4204
					229/162.7
5,456,352	A	10/1995	McQueeny		
D439,157	S *	3/2001	Tsuruishi	D9/433
D474,688	S *	5/2003	Litts	D3/295
D568,765	S *	5/2008	Miles	D9/737
D690,554	S *	10/2013	Presley	D7/368
9,096,349	B2 *	8/2015	Youell	B65D 5/48038
D737,688	S *	9/2015	Stone	D9/432
D762,113	S *	7/2016	Mayer	D9/418
D764,280	S *	8/2016	Carnu	D9/423
D800,548	S *	10/2017	Sill	D9/418
D815,343	S *	4/2018	Kesselman	D27/187
D823,692	S *	7/2018	Greenberg	D9/606
D850,908	S *	6/2019	Perella	D9/432
D855,457	S *	8/2019	D'Agnone	D9/432

(Continued)

OTHER PUBLICATIONS

VerTerra Collapsible Box with Attached Lid—Medium Square (10), Amazon.com, Jul. 31, 2015, https://www.amazon.com/VerTerra-Collapsible-Box-Attached-Lid/dp/B0133YCIH2/ref=sr_1_6?ie=UTF8&qid=1508969356&sr=8-6&keywords=verterra.

(Continued)

Primary Examiner — Rhea Shields

(74) *Attorney, Agent, or Firm* — Merchant & Gould P.C.

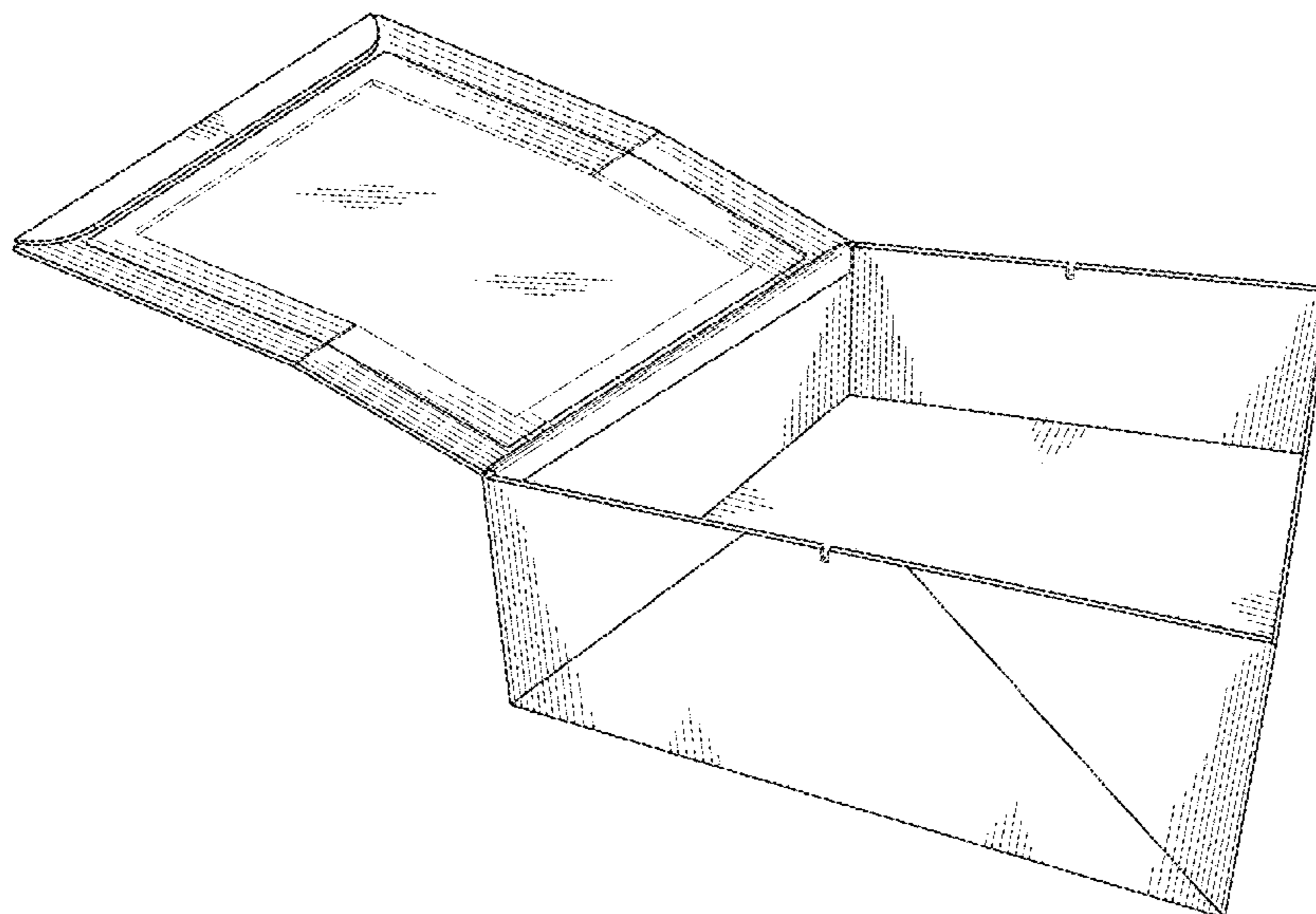
(57) **CLAIM**

The ornamental design for a food container, as shown and described.

DESCRIPTION

FIG. 1 is an isometric view of a food container shown in a folded position;
 FIG. 2 is an isometric view of the food container of FIG. 1 in a second folded position;
 FIG. 3 is an isometric view of the food container of FIG. 1 in a first upright position;
 FIG. 4 is an isometric view of the food container of FIG. 1 in a second upright position;
 FIG. 5 is a right side view of the food container of FIG. 1 in the second upright position;
 FIG. 6 is a left side view of the food container of FIG. 1 in the second upright position;
 FIG. 7 is a front view of the food container of FIG. 1 in the second upright position;
 FIG. 8 is a rear view of the food container of FIG. 1 in the second upright position;
 FIG. 9 is a bottom view of the food container of FIG. 1 with the lid of the food container in a closed position; and,
 FIG. 10 is an isometric view of the food container of FIG. 1 with the lid of the food container in a closed position.
 The broken lines in the Figures depict portions of the food container that form no part of the claimed design.

1 Claim, 10 Drawing Sheets



(56)

References Cited

U.S. PATENT DOCUMENTS

D858,274 S * 9/2019 Perella D9/432
D860,778 S * 9/2019 Dwork D9/418
2019/0112094 A1* 4/2019 Dwork B65D 5/48038

OTHER PUBLICATIONS

VerTerra Collapsible Box With Attached Lid—Large Rectangle (100), Amazon.com, Aug. 10, 2015, https://www.amazon.com/VerTerra-Collapsible-Box-Attached-Lid/dp/B013PTVIGC/ref=sr_1_11?ie=UTF8&qid=1508969356&sr=8-11&keywords=verterra.

VerTerra Large Collapsible Tray 3" Deep (10), Amazon.com, Jul. 30, 2015, https://www.amazon.com/VerTerra-Large-Collapsible-Tray-Deep/dp/B0131D4TGI/ref=sr_1_28?ie=UTF8&qid=1508969534&sr=8-28&keywords=verterra.

VerTerra Collapsible Box with Attached Lid—Small Square (10), Amazon.com, Jul. 31, 2015, https://www.amazon.com/VerTerra-Collapsible-Box-Attached-Lid/dp/B0133WMUP4/ref=sr_1_55?ie=UTF8&qid=1508969706&sr=8-55&keywords=verterra.

VerTerra Collapsible Small Tray 6×6" (50), Amazon.com, Jul. 29, 2015, https://www.amazon.com/VerTerra-Collapsible-Small-Tray-6x6/dp/B012XYB1DK/ref=sr_1_43?ie=UTF8&qid=1516116567&sr=8-43&keywords=verterra.

VerTerra Collapsible Tray with Attached Lid—Large Tray 2" Deep (100), Amazon.com, Aug. 3, 2015, <https://www.amazon.com/VerTerra-Collapsible-Tray-Attached-Lid/dp/B013CHP412>.

* cited by examiner

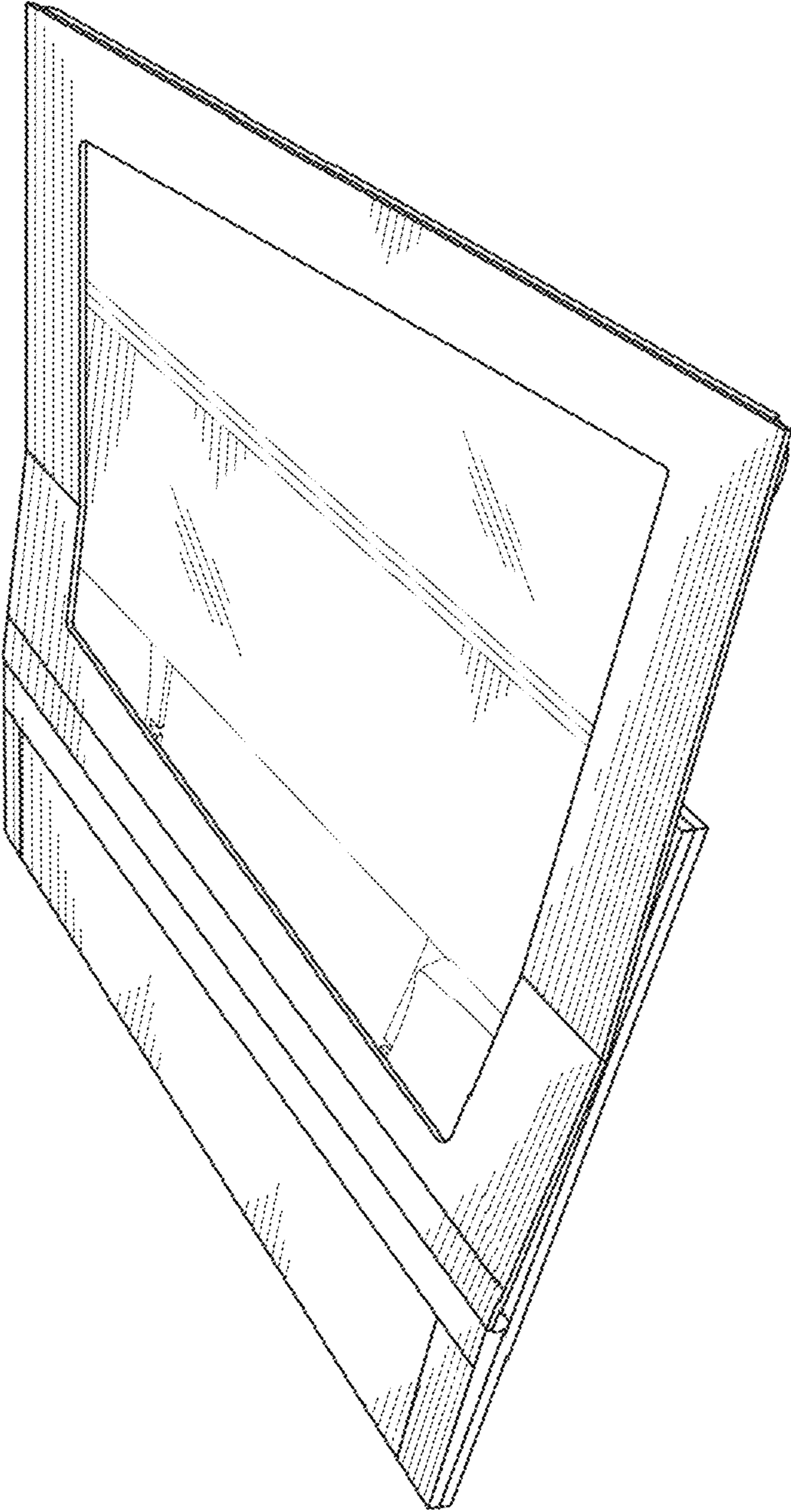


FIG. 1

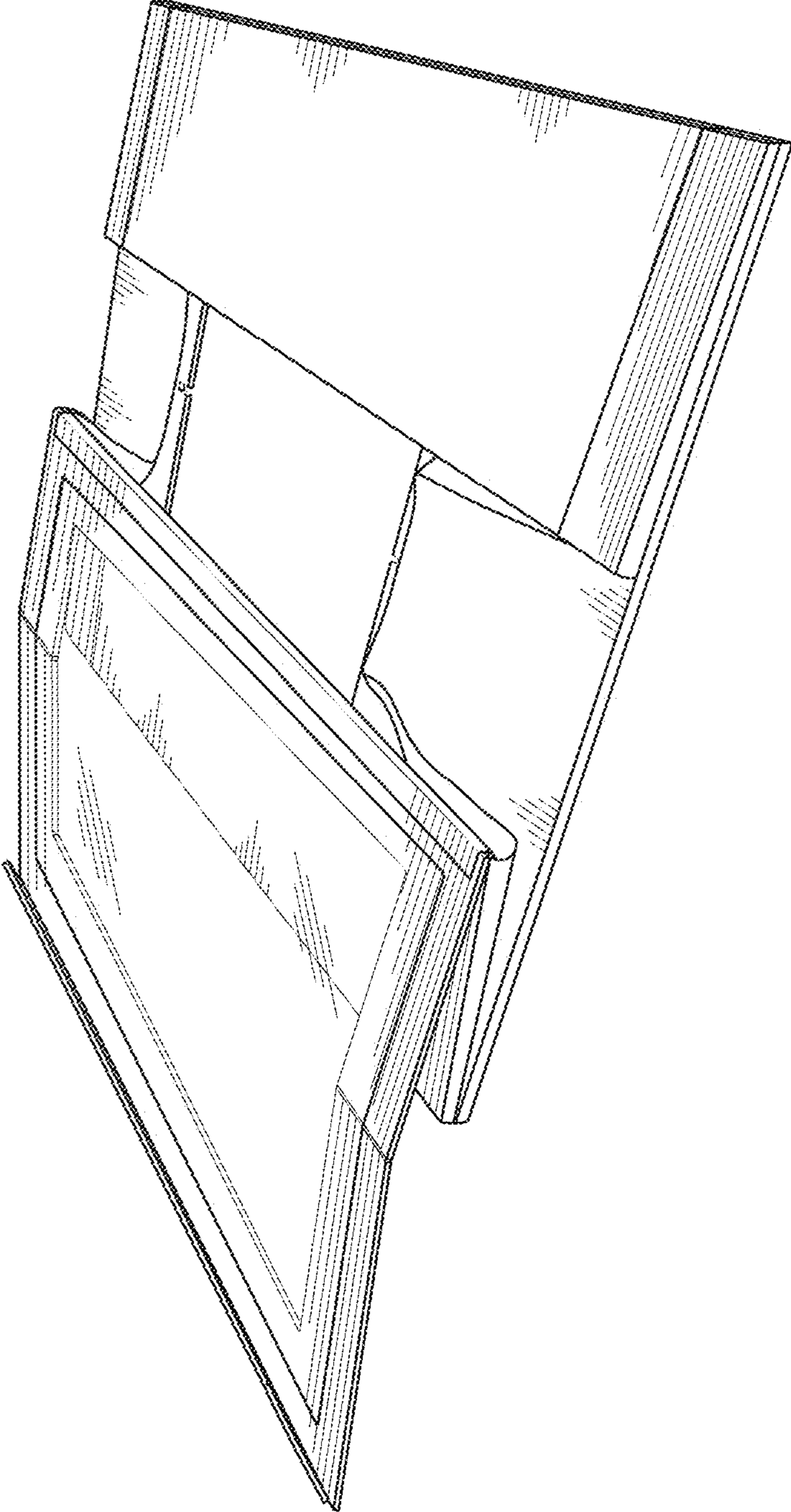


FIG. 2

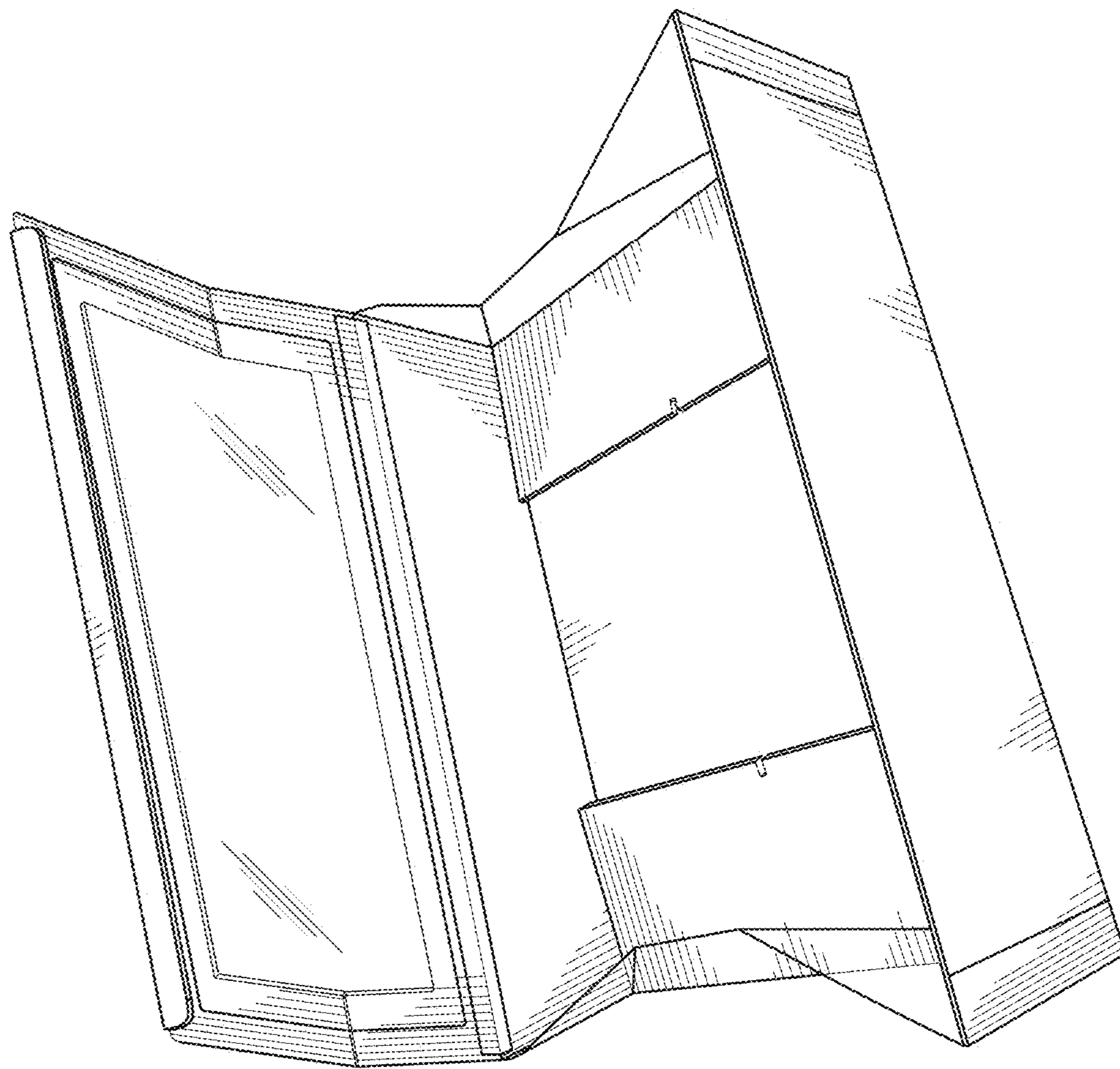


FIG. 3

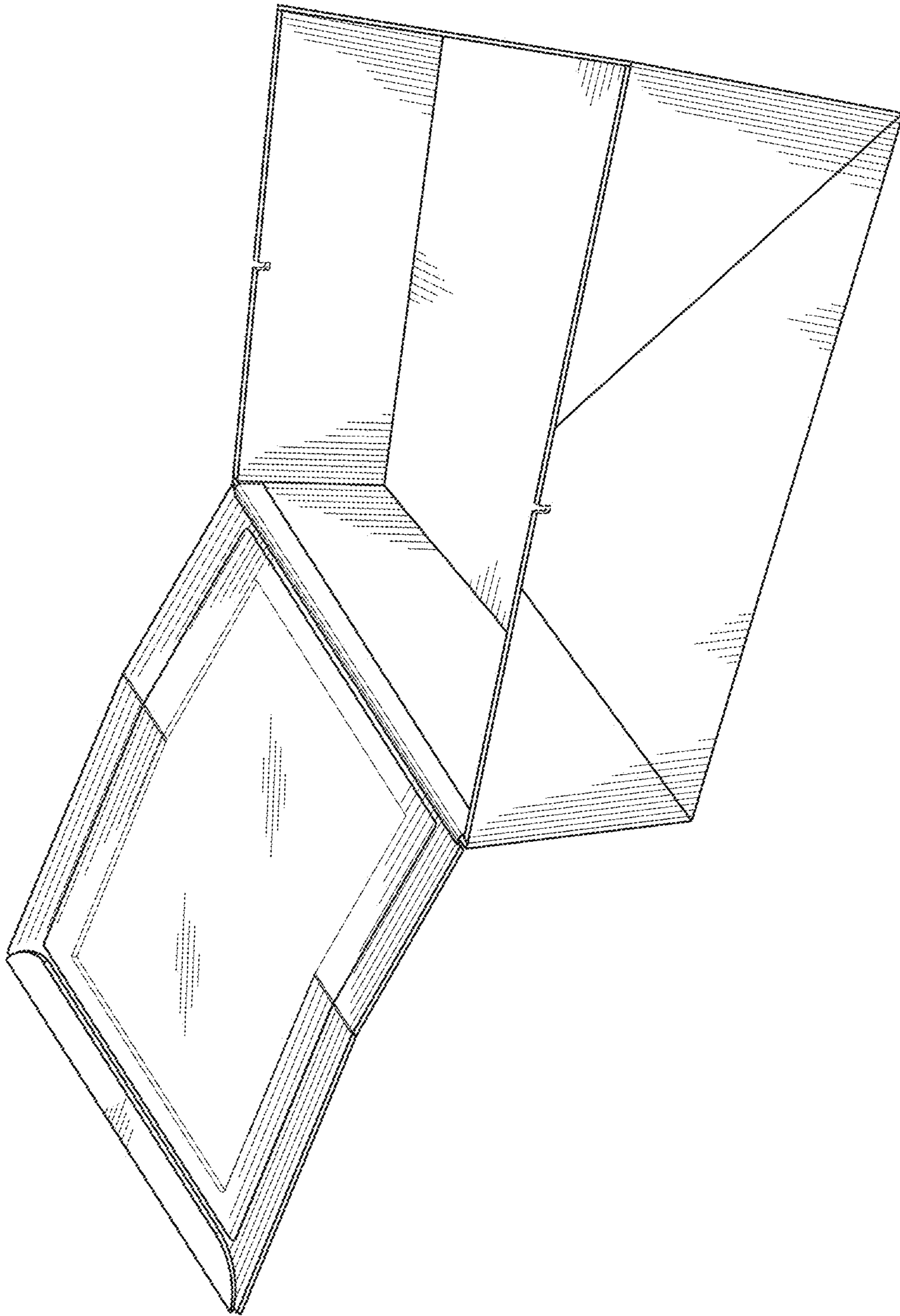


FIG. 4

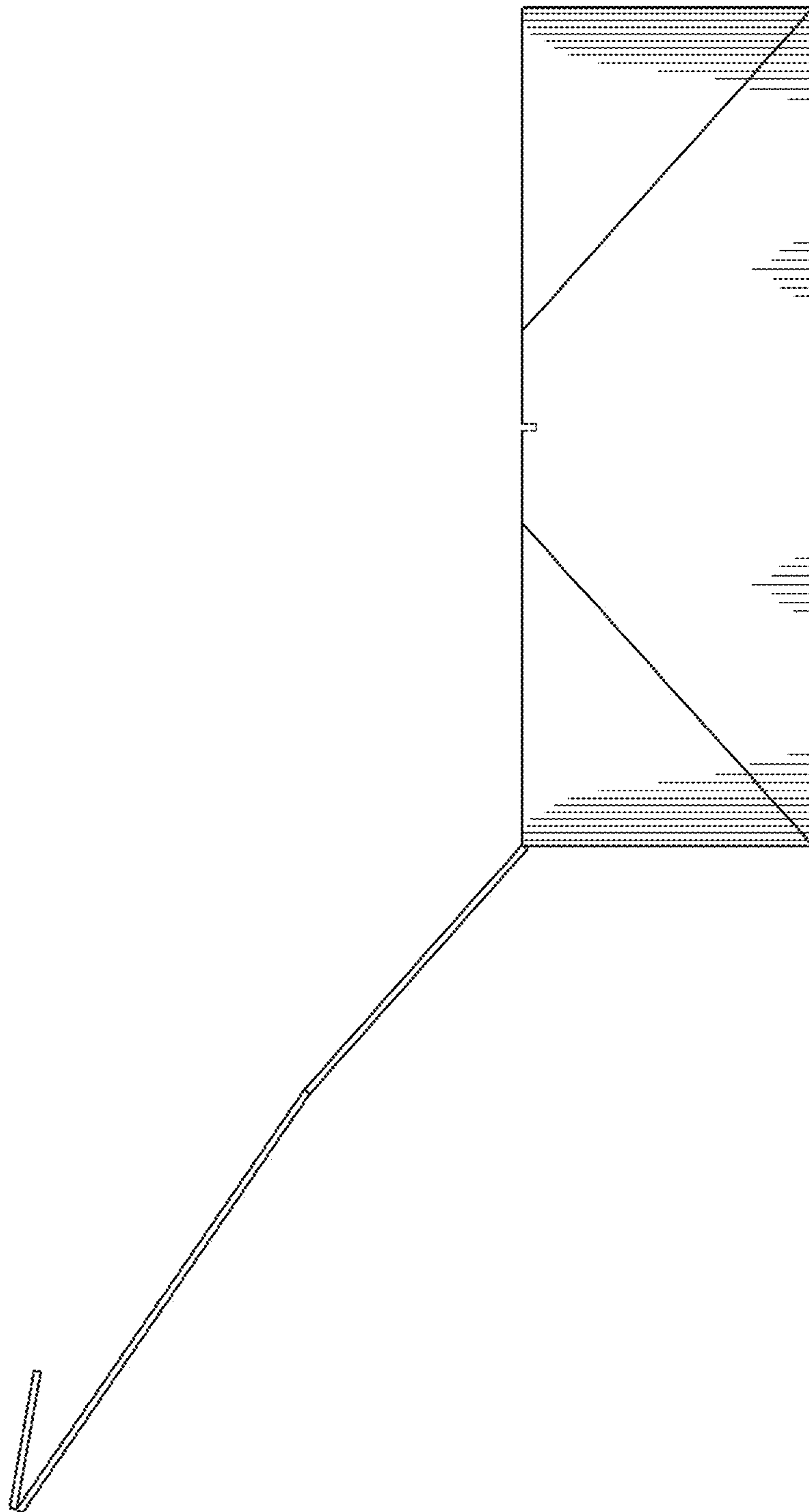


FIG. 5

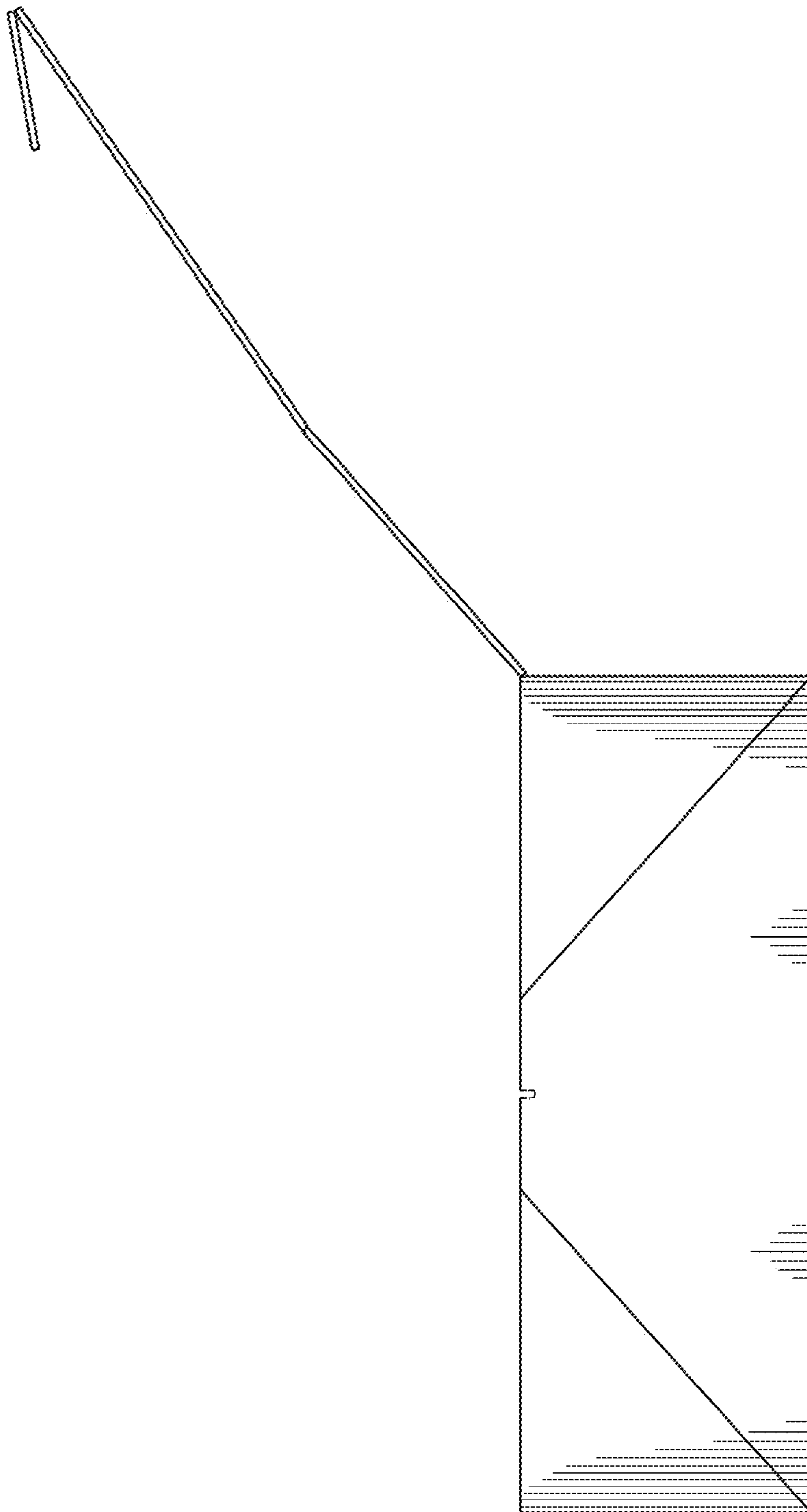


FIG. 6

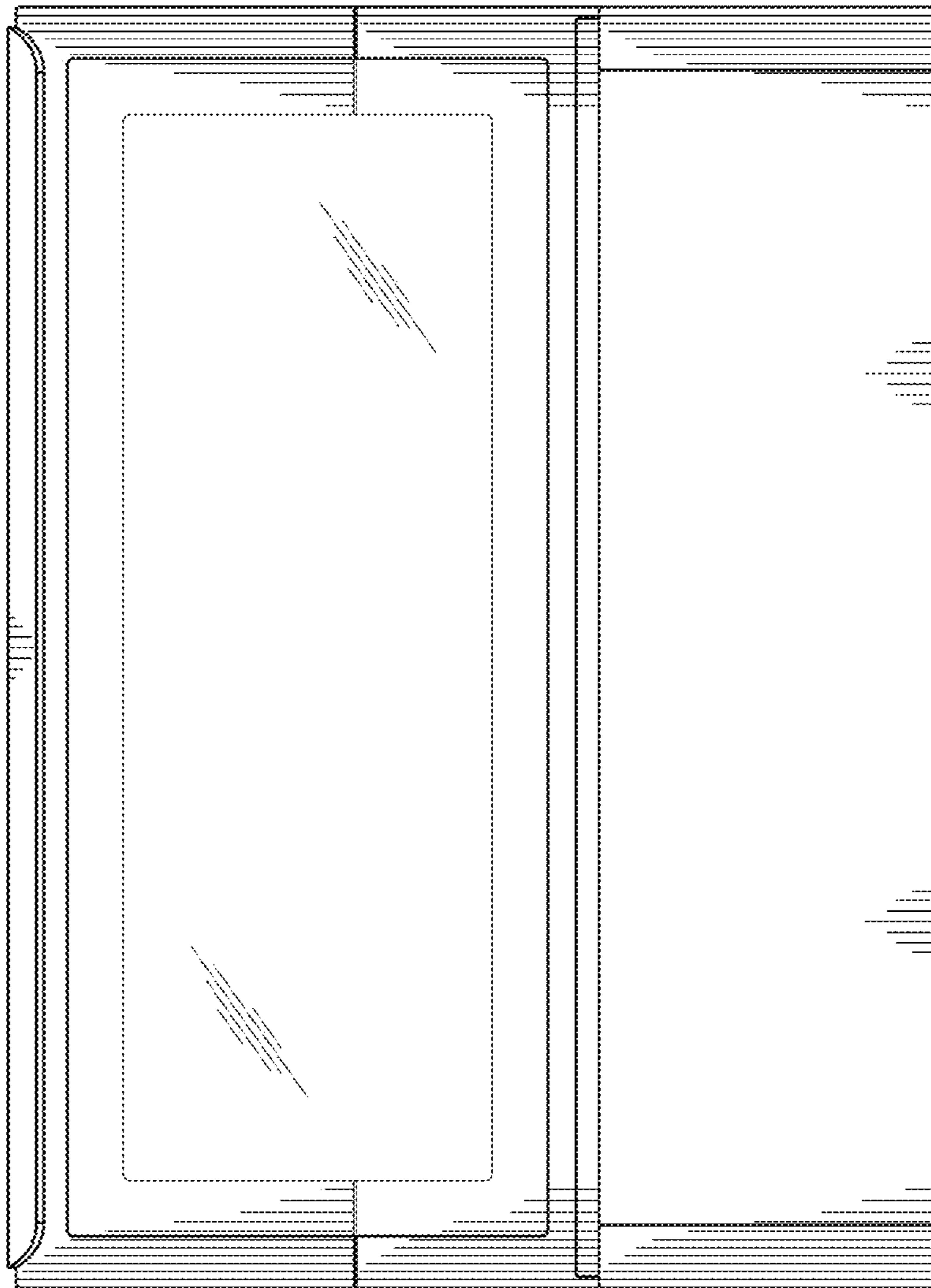


FIG. 7

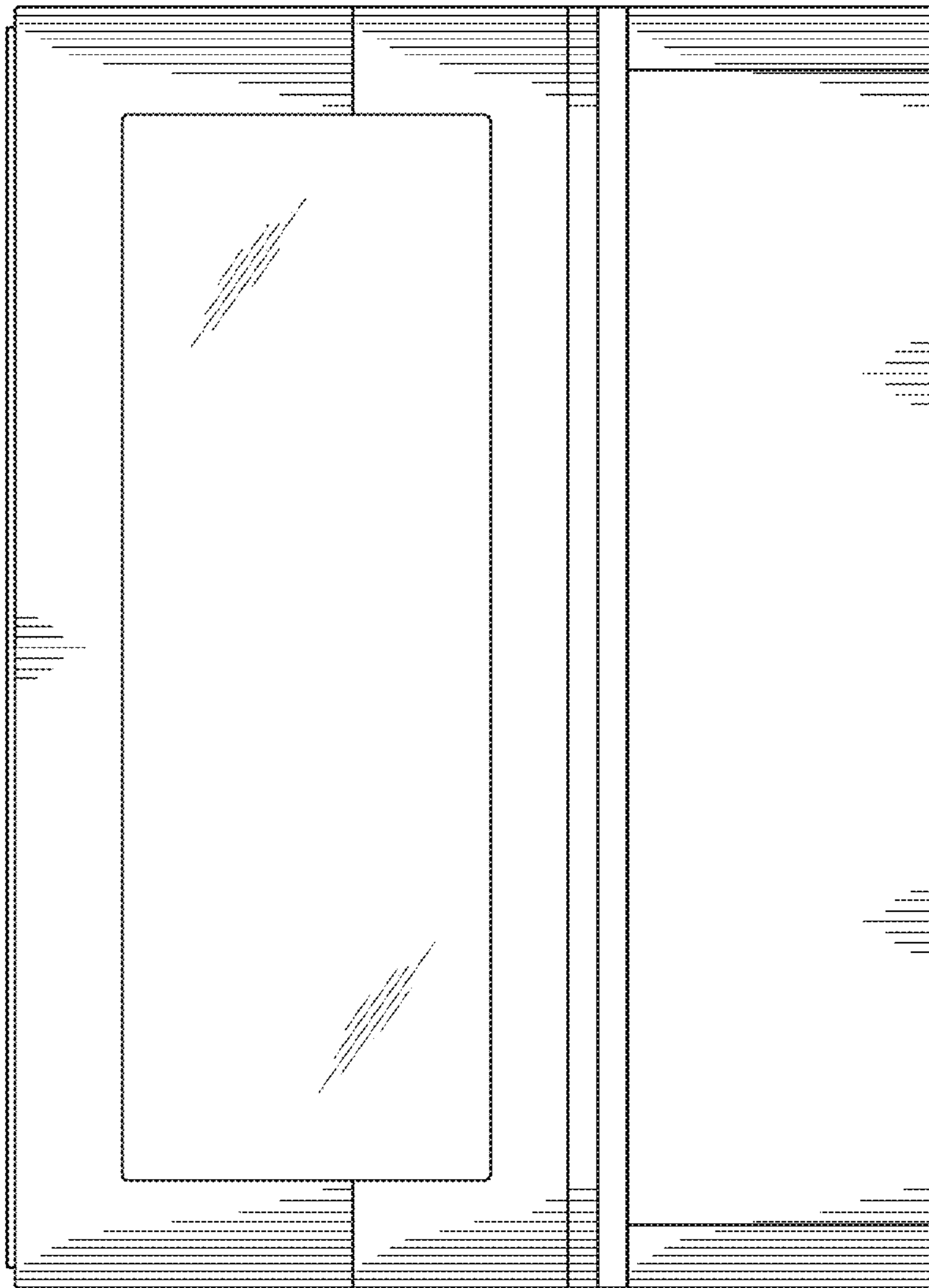


FIG. 8

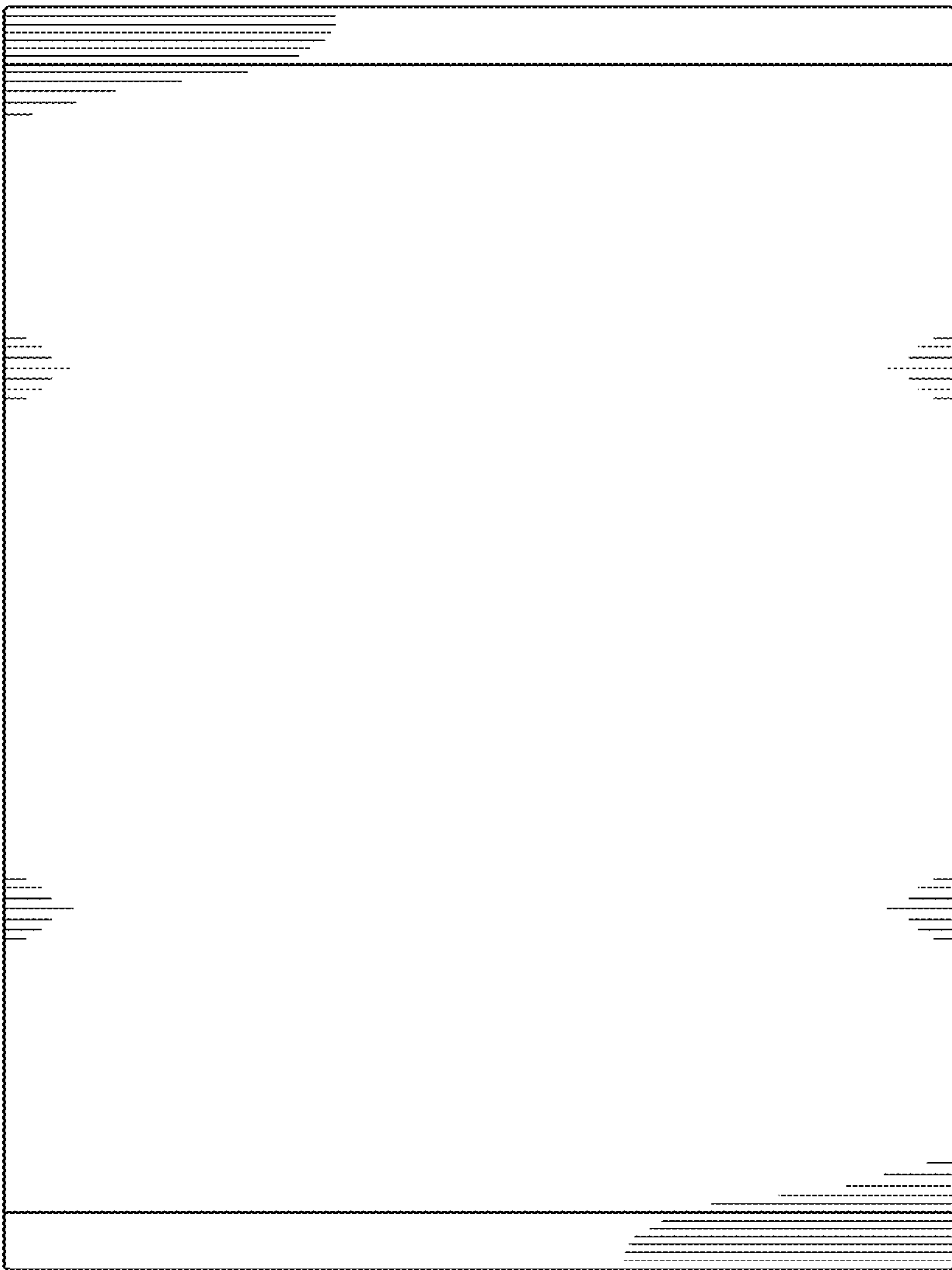


FIG. 9

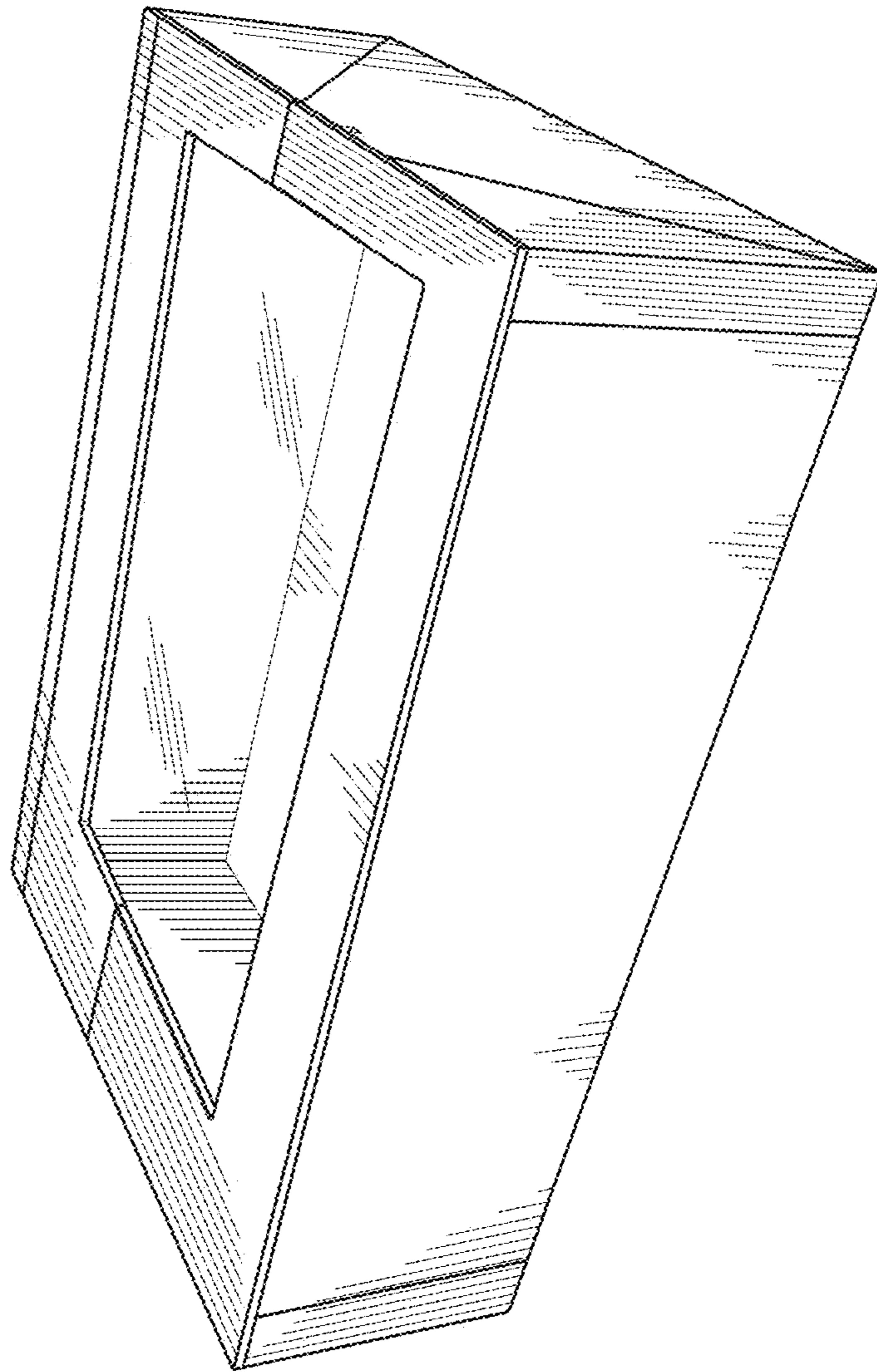


FIG. 10