



US00D894727S

(12) **United States Design Patent**  
**Filippini**

(10) **Patent No.:** **US D894,727 S**

(45) **Date of Patent:** **\*\* Sep. 1, 2020**

(54) **CLIP FOR WASTE BAG**

(71) Applicant: **MOBILE WASTE COMPANY B.V.**,  
Amsterdam (NL)

(72) Inventor: **Bas Philippini**, Amsterdam (NL)

(\*\*) Term: **15 Years**

(21) Appl. No.: **35/505,974**

(22) Filed: **Jul. 25, 2018**

(80) **Hague Agreement Data**

Int. Filing Date: **Jul. 25, 2018**

Int. Reg. No.: **DM/103376**

Int. Reg. Date: **Jul. 25, 2018**

Int. Reg. Pub. Date: **Nov. 9, 2018**

(51) **LOC (12) Cl.** ..... **08-08**

(52) **U.S. Cl.**  
USPC ..... **D8/396**; D8/394

(58) **Field of Classification Search**  
USPC ..... D8/394, 395, 396, 356, 383  
CPC ..... B65D 45/22; B65D 45/16; B65D 45/18;  
B65D 45/20; B60R 7/08  
See application file for complete search history.

(56) **References Cited**

**U.S. PATENT DOCUMENTS**

- 5,473,796 A \* 12/1995 Fusillo ..... B65D 33/1675  
24/30.5 R
- D587,564 S \* 3/2009 Kodi ..... D8/354
- D634,187 S \* 3/2011 Kozel ..... D8/396
- D648,685 S \* 11/2011 Symons ..... D13/155
- D671,826 S \* 12/2012 Adams, IV ..... D8/395
- 8,458,865 B1 \* 6/2013 Williams ..... B65D 21/0205  
24/30.5 R
- D690,190 S \* 9/2013 McGrath ..... D8/394
- D704,040 S \* 5/2014 Kosaku ..... D8/394
- D713,712 S \* 9/2014 Beversluis ..... D8/396
- D714,133 S \* 9/2014 Kempshall ..... D8/395
- D714,631 S \* 10/2014 Frydlewski ..... D8/394
- D759,474 S \* 6/2016 Pittman ..... D8/395

- D770,886 S \* 11/2016 Whitaker ..... D8/394
- D774,002 S \* 12/2016 Hsieh ..... D13/155
- D799,314 S \* 10/2017 Adams, IV ..... D8/395
- D808,256 S \* 1/2018 Muller ..... D8/396
- D816,474 S \* 5/2018 Ochi ..... D8/395
- D829,089 S \* 9/2018 Paik ..... D8/394
- D852,612 S \* 7/2019 Paik ..... D8/394
- 2005/0274859 A1 \* 12/2005 Malik ..... B65B 67/1233  
248/302
- 2014/0367431 A1 \* 12/2014 Sutter ..... B60R 7/08  
224/324
- 2017/0021773 A1 \* 1/2017 Brown ..... B60R 11/00
- 2018/0346173 A1 \* 12/2018 Mayer ..... B65B 67/1238
- 2019/0202365 A1 \* 7/2019 Medina Huerta ..... B60R 11/02

**OTHER PUBLICATIONS**

“FlexTrash Portable Trash Can—with Accessories”. Found online Jul. 22, 2019 at svb24.com. Page dated Aug. 9, 2018. Retrieved from <https://www.svb24.com/en/flextrash-flextrash-portable-trash-can.html>.\*

\* cited by examiner

*Primary Examiner* — Kendra Leslie Hamilton

(57) **CLAIM**

The ornamental design for a clip for waste bag, as shown and described.

**DESCRIPTION**

Clip for waste bag

**6.1** : Perspective

**6.2** : Left

**6.3** : Right

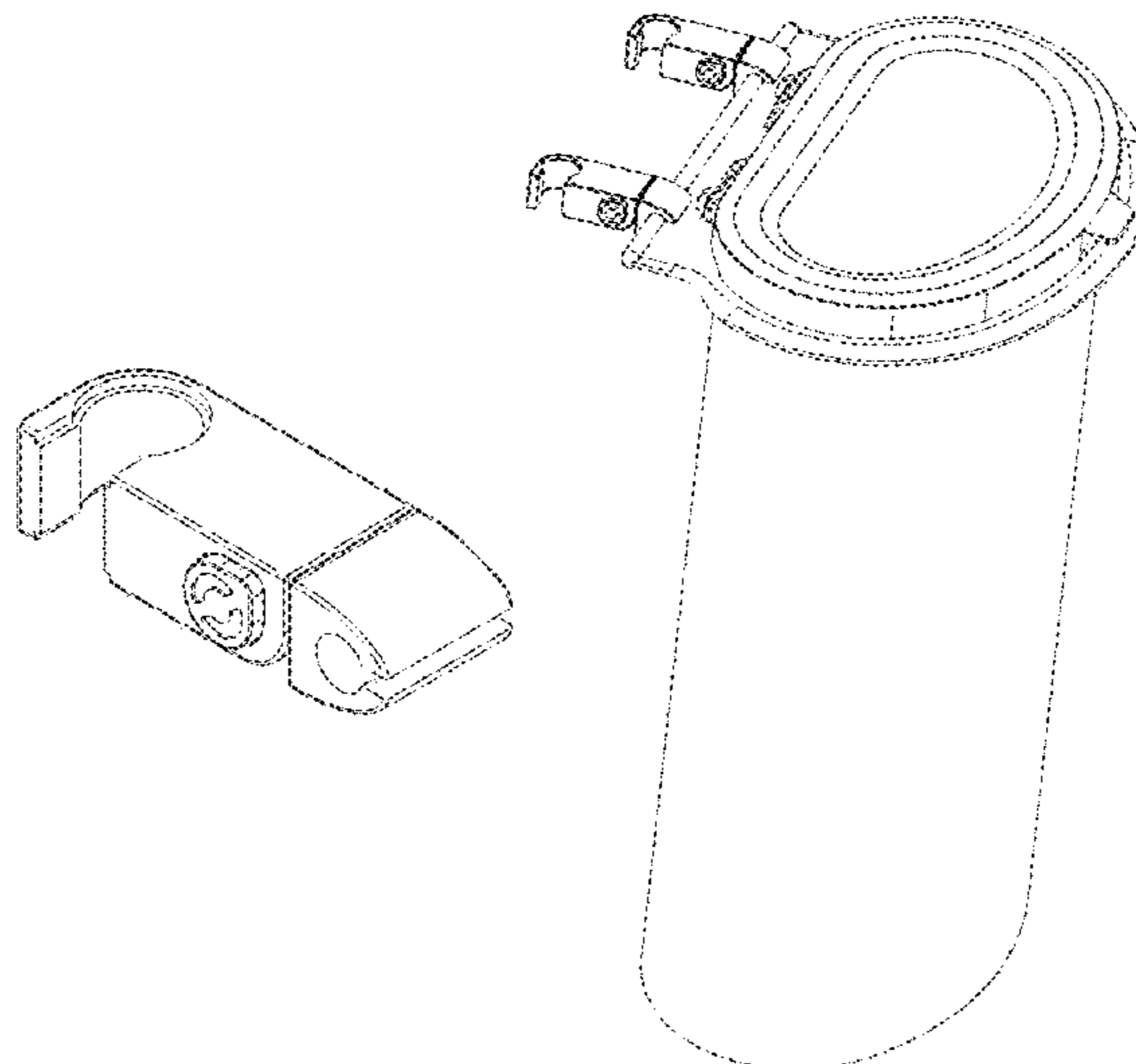
**6.4** : Top

**6.5** : Bottom

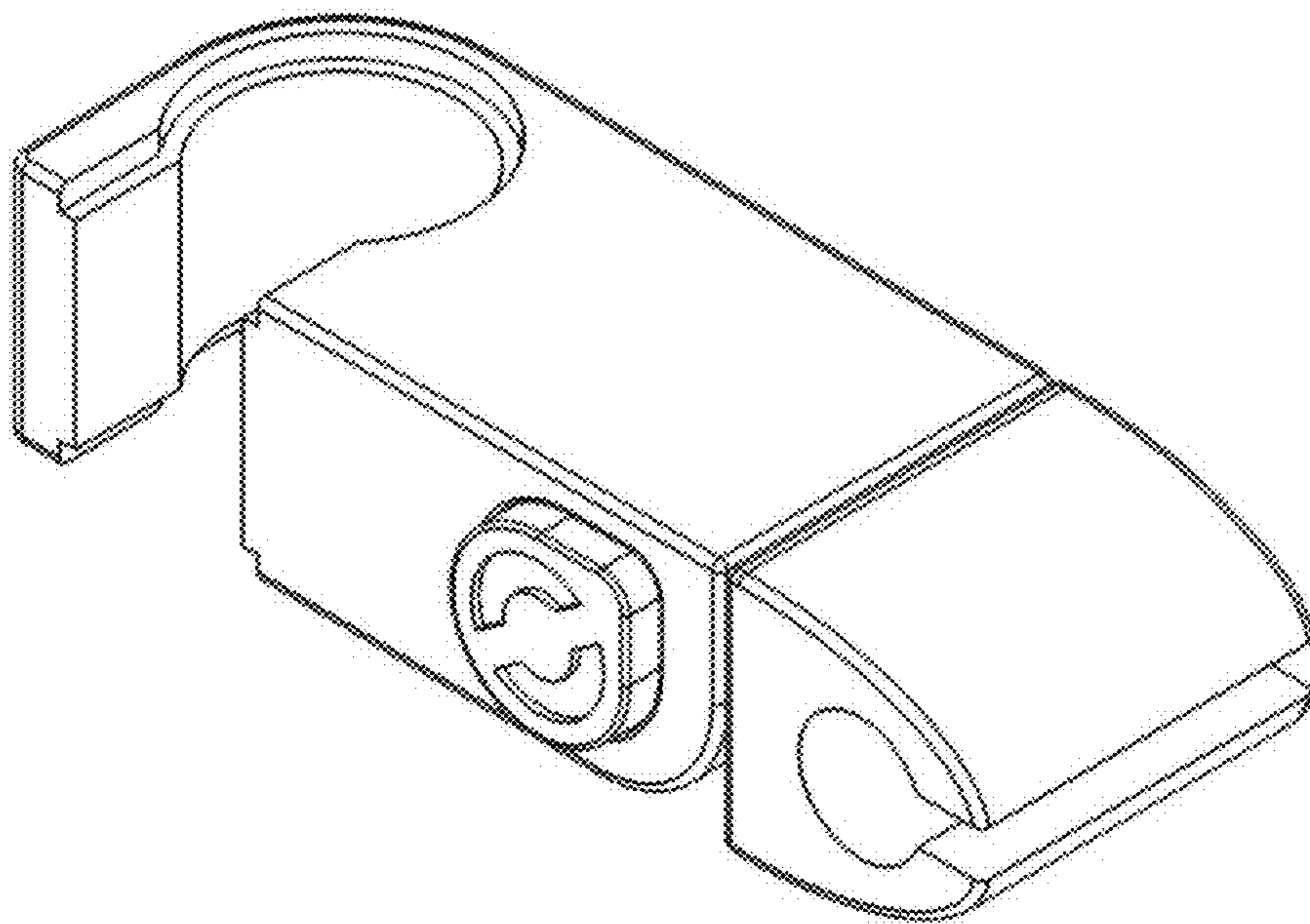
**6.6** : Perspective in Condition of Use

The equal-length broken lines in the drawings depict portions of the clip for waste bag that form no part of the claimed design. The dash-dot-dash lines indicate boundaries of the claim.

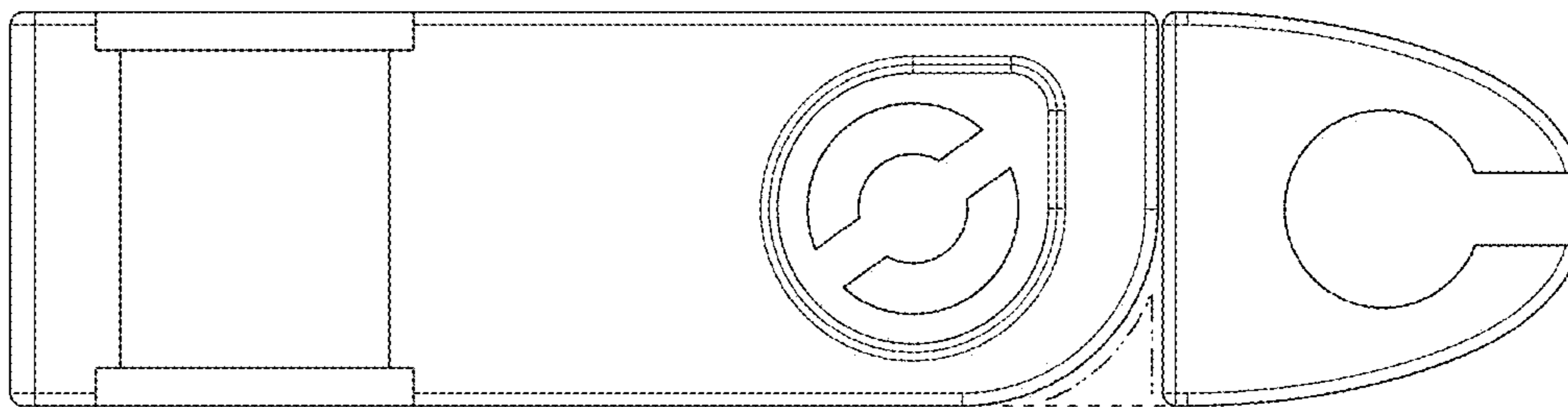
**1 Claim, 6 Drawing Sheets**



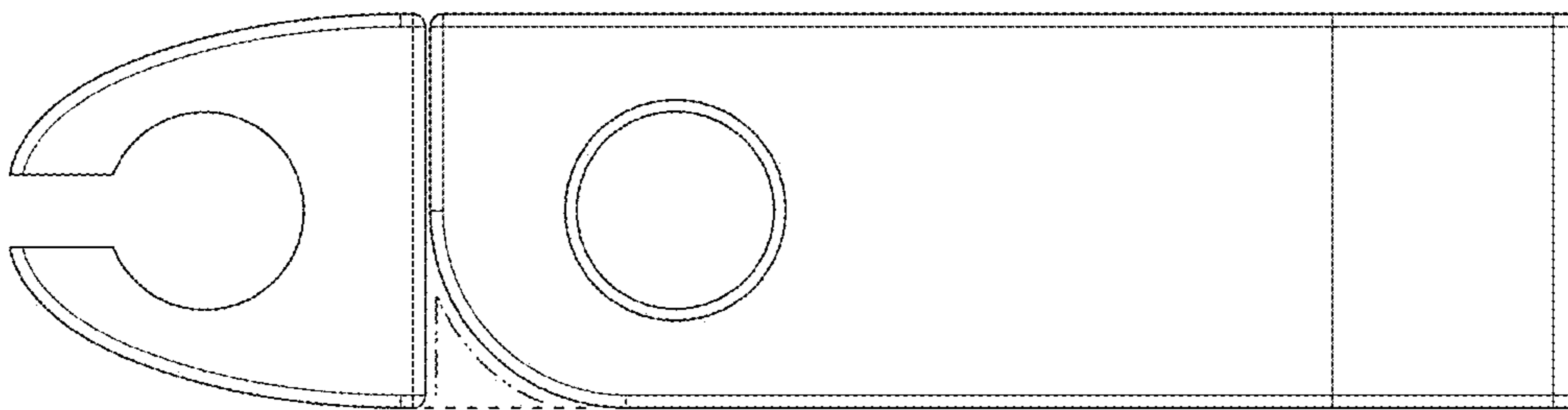
6.1



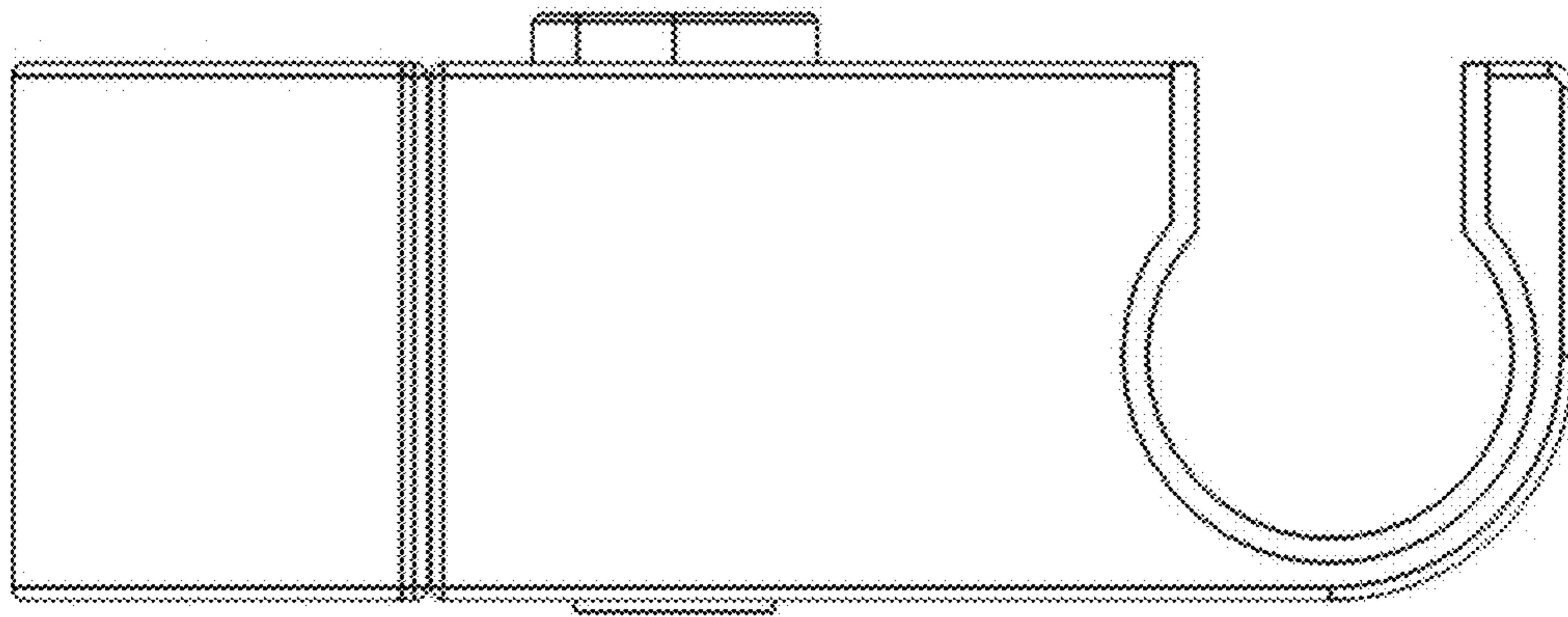
6.2



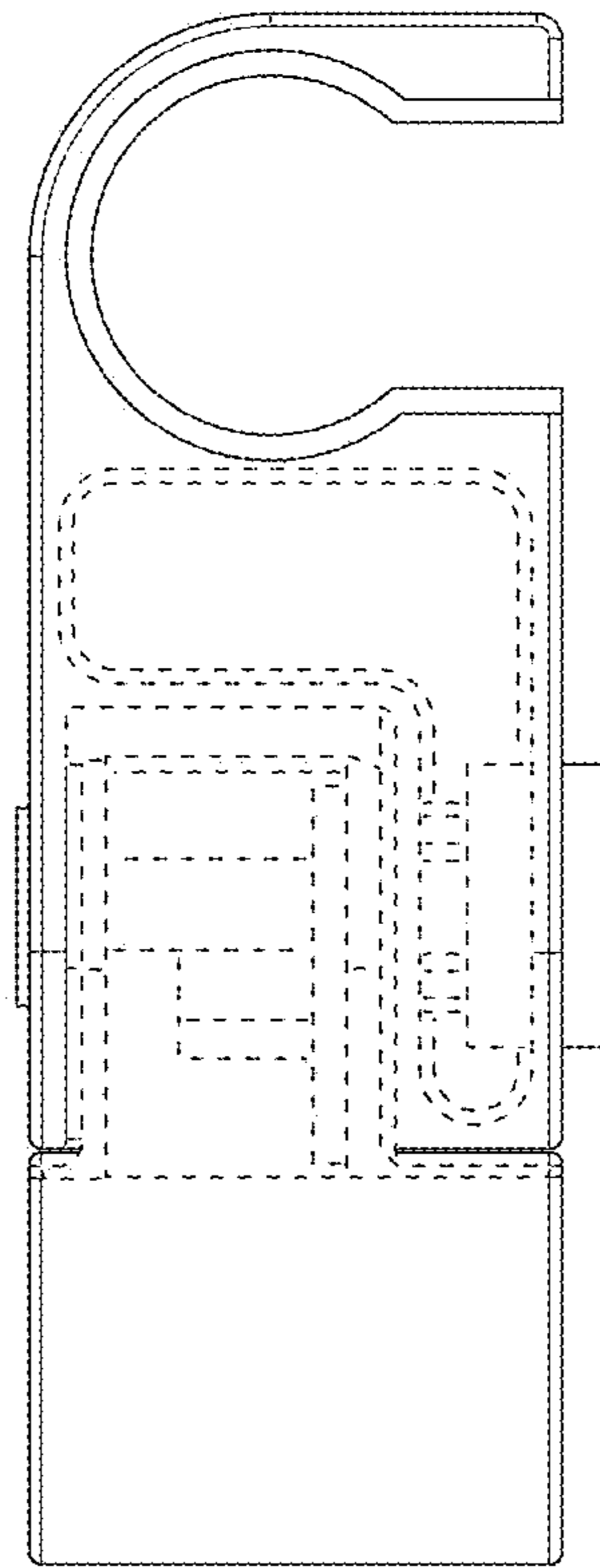
6.3



6.4



6.5



6.6

