



US00D894723S

(12) **United States Design Patent** (10) **Patent No.:** **US D894,723 S**
Mizuno et al. (45) **Date of Patent:** **** Sep. 1, 2020**

(54) **NAME PLATE FASTENER**
(71) Applicant: **MORITO CO., LTD.**, Osaka (JP)
(72) Inventors: **Kohtaroh Mizuno**, Osaka (JP);
Eiichirou Doi, Osaka (JP); **Atsushi Kamo**, Osaka (JP); **Ayumi Shinohara**, Osaka (JP); **Shinya Tsujii**, Osaka (JP)
(73) Assignee: **MORITO CO., LTD.**, Osaka (JP)
(**) Term: **15 Years**

D796,309 S * 9/2017 Cruz D8/397
D801,796 S * 11/2017 Sweeney D8/387
D802,410 S * 11/2017 Felix D8/397
D803,038 S * 11/2017 Baker D8/387
D811,935 S * 3/2018 Hughes D11/222
D812,458 S * 3/2018 Goto D8/382
D828,153 S * 9/2018 Sato D8/399
D830,820 S * 10/2018 Sweeney D8/387
D831,476 S * 10/2018 Sweeney D8/387
D834,929 S * 12/2018 Wang D8/382
D837,047 S * 1/2019 Lin D8/397
D838,581 S * 1/2019 Huang D8/382
D839,131 S * 1/2019 Lynch D11/200

(Continued)

(21) Appl. No.: **35/506,372**

Primary Examiner — Darlington Ly

(22) Filed: **Aug. 30, 2018**

(74) *Attorney, Agent, or Firm* — Bacon & Thomas, PLLC

(80) **Hague Agreement Data**

Int. Filing Date: **Aug. 30, 2018**
Int. Reg. No.: **DM/103287**
Int. Reg. Date: **Aug. 30, 2018**
Int. Reg. Pub. Date: **Mar. 1, 2019**

(57) **CLAIM**

The ornamental design for a name plate fastener, as shown and described.

(51) **LOC (12) Cl.** **08-08**

(52) **U.S. Cl.**
USPC **D8/387**

DESCRIPTION

(58) **Field of Classification Search**
USPC D8/349, 382, 387, 388, 391, 393, 397,
D8/399; D24/155, 156, 157
CPC ... A61B 17/68; A61B 17/686; A61B 17/7083;
A61B 2017/0648; A61B 17/7082; A61B
17/8605; A61B 17/17; A61B 17/861;
A61B 17/8877; A61B 17/862; A61B
17/8883; A61B 17/8635; F16B 15/00;
F16B 19/00; F16B 19/02; F16B 23/00;
F16B 23/0061; F16B 23/0007; F16B
23/0015; F16B 23/0069; F16B 23/0084;
F16B 25/0036; F16B 35/04; F16B 35/06;
F16B 35/041

1. Name plate fastener
1.1: is a top plan view of a name plate fastener showing our new design;
1.2: is a bottom plan view thereof;
1.3: is a front elevation view thereof;
1.4: is a right side elevation view thereof;
1.5: is a cross-sectional view thereof;
1.6: is an exploded cross-sectional view thereof prior to its fastening to an exemplary name plate;
1.7: is a cross-sectional view thereof when fastened into an exemplary name plate; and
1.8: is a perspective view thereof when fastened into an exemplary name plate.

See application file for complete search history.

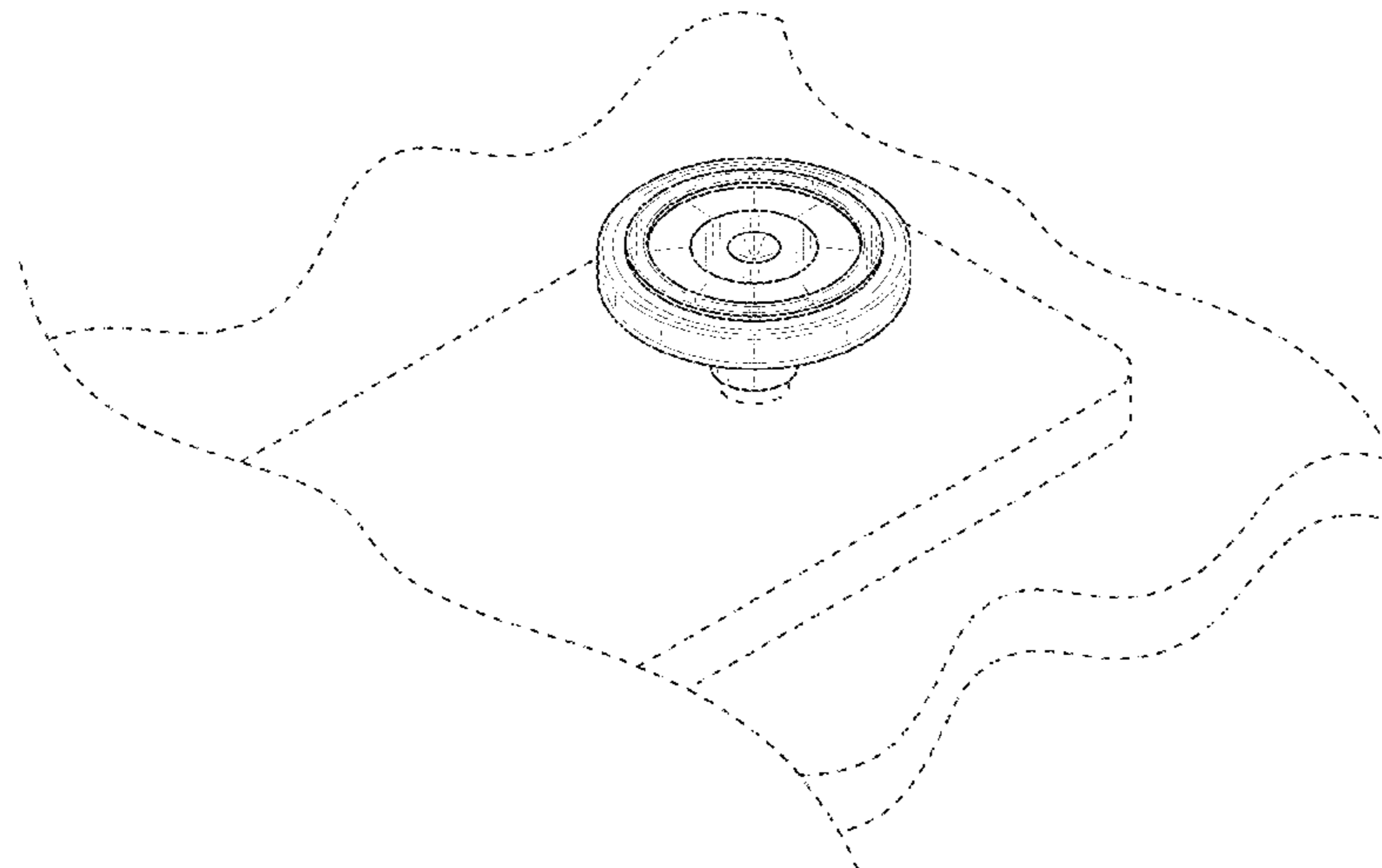
The broken line showings of the name plate, surrounding surfaces, and driving tool head are provided for the purpose of illustrating environmental structure and form no part of the claimed design.

(56) **References Cited**

U.S. PATENT DOCUMENTS

D366,115 S * 1/1996 Sullivan D24/156
D574,958 S * 8/2008 Schendel D24/156

1 Claim, 8 Drawing Sheets



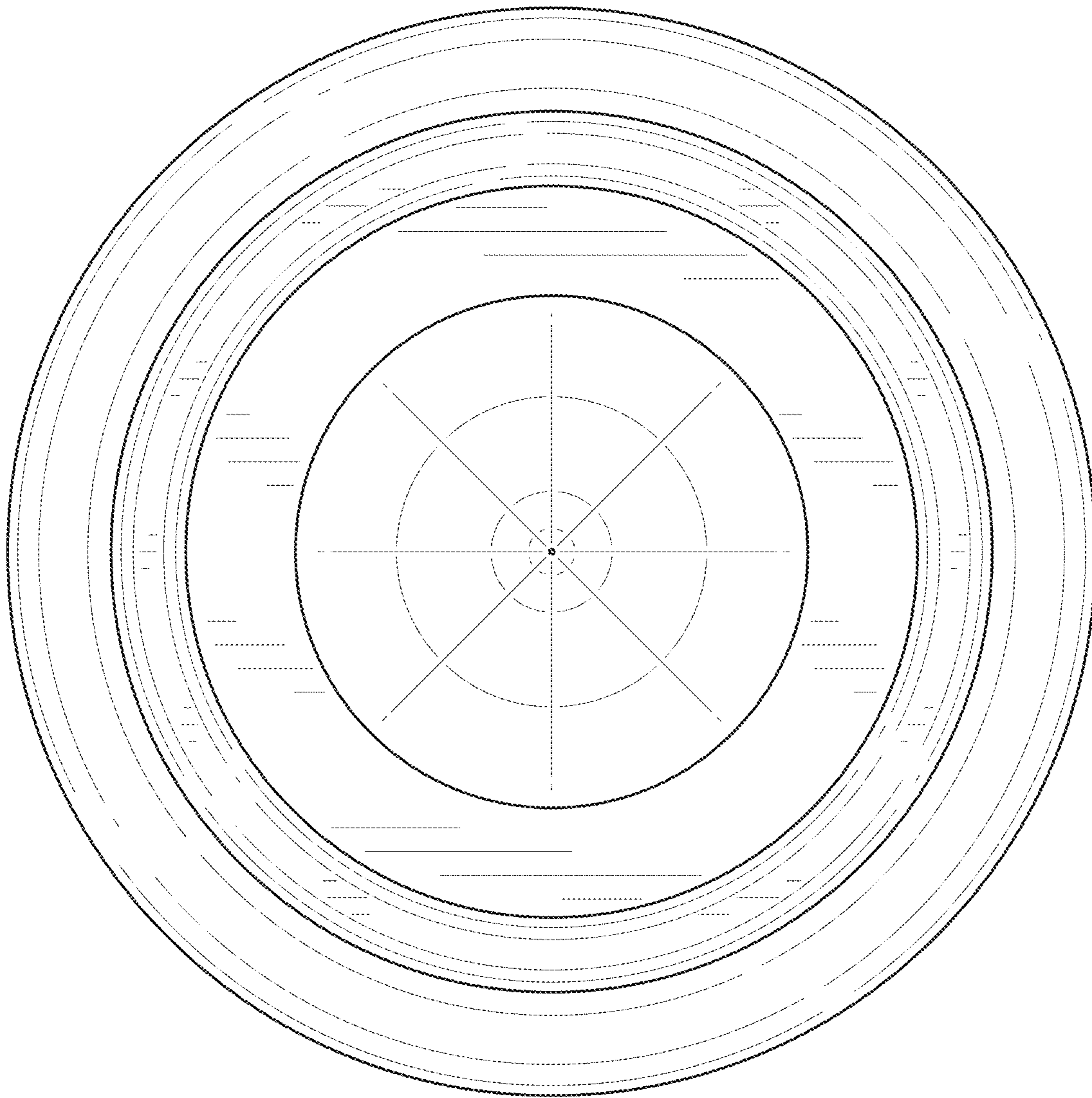
(56)

References Cited

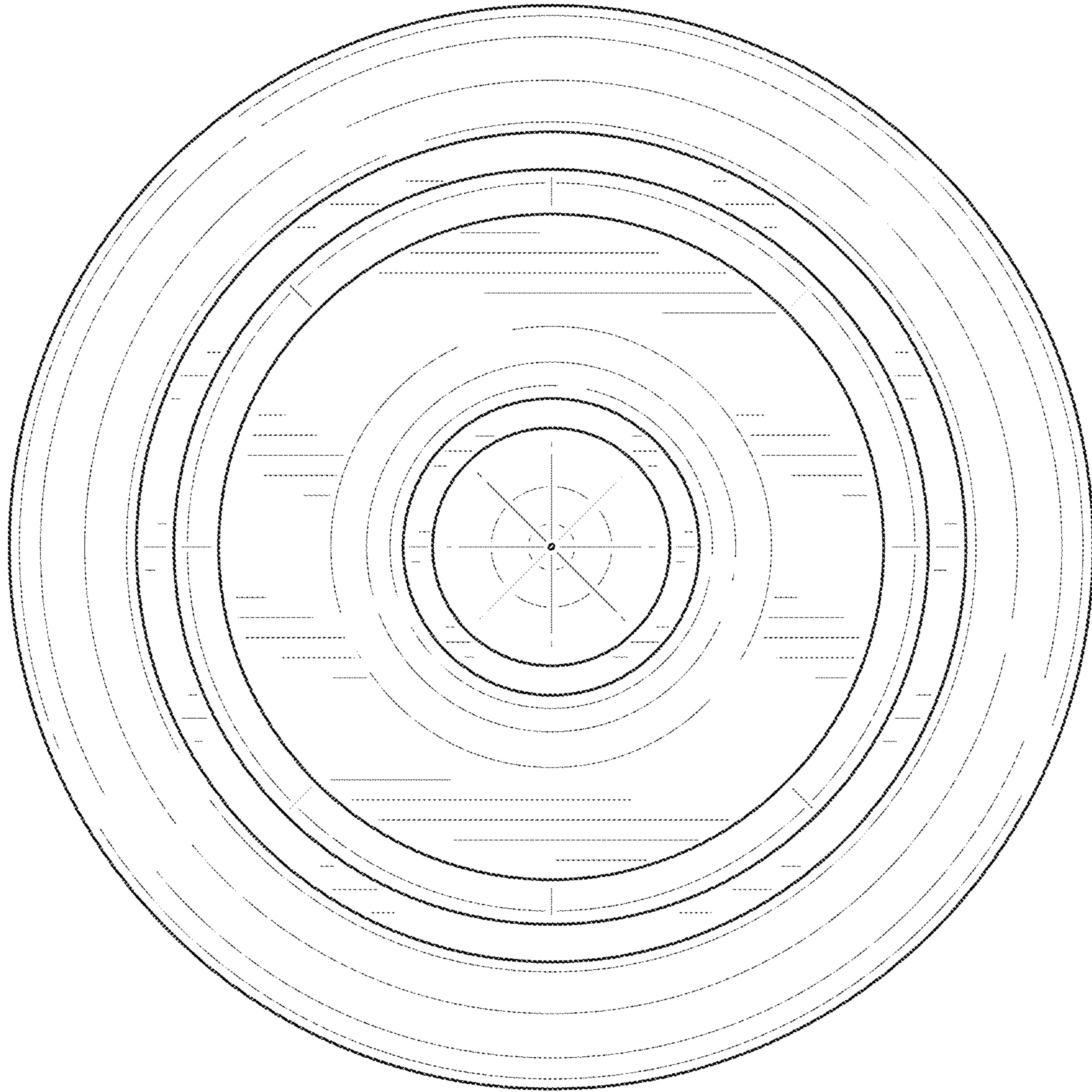
U.S. PATENT DOCUMENTS

D844,421 S * 4/2019 McClure F16B 19/109
D8/382
D848,252 S * 5/2019 Taylor D8/387
D863,049 S * 10/2019 Sweeney D8/382
2011/0056166 A1* 3/2011 Bartlett E04G 9/04
52/742.14
2011/0257691 A1* 10/2011 Sutterlin A61B 17/862
606/305

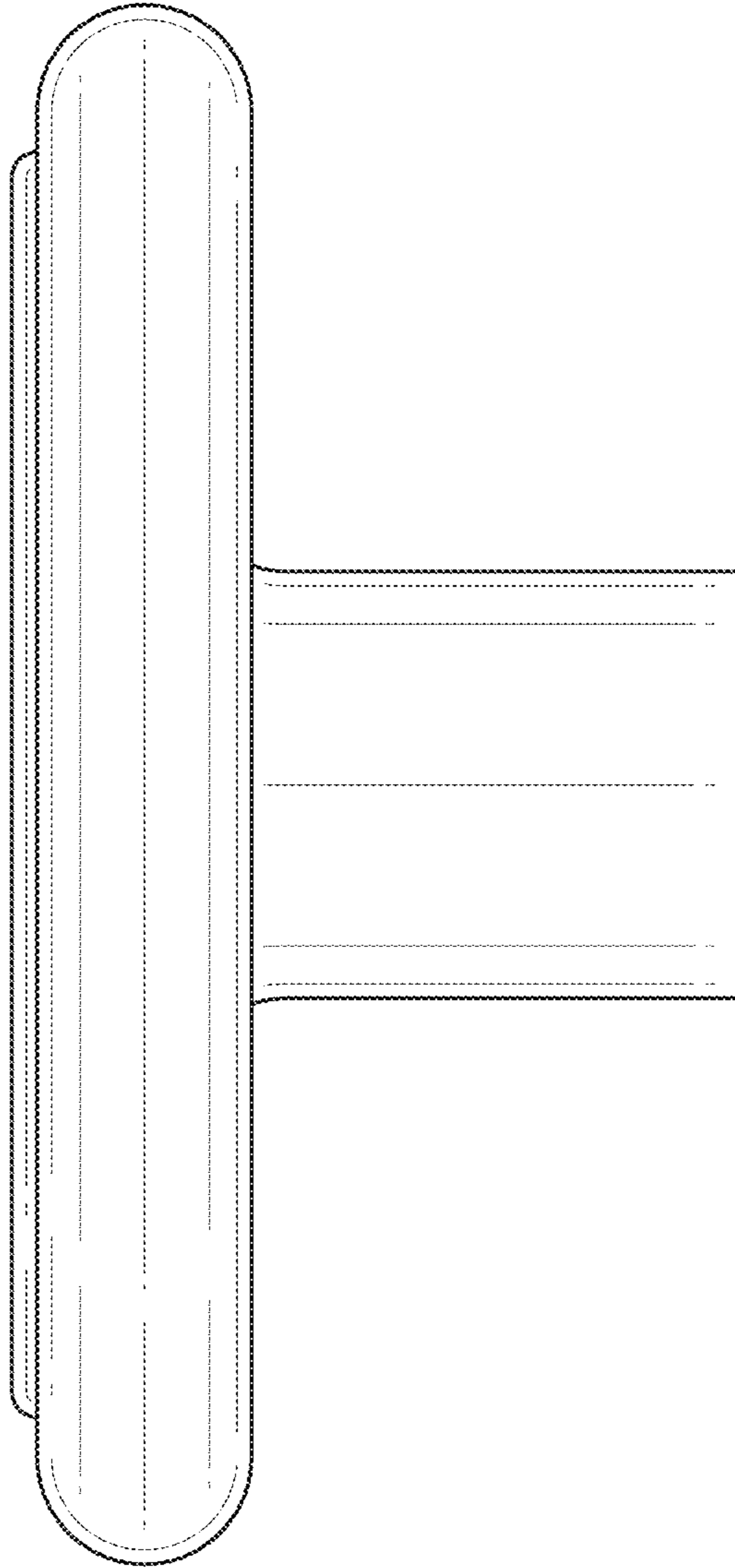
* cited by examiner



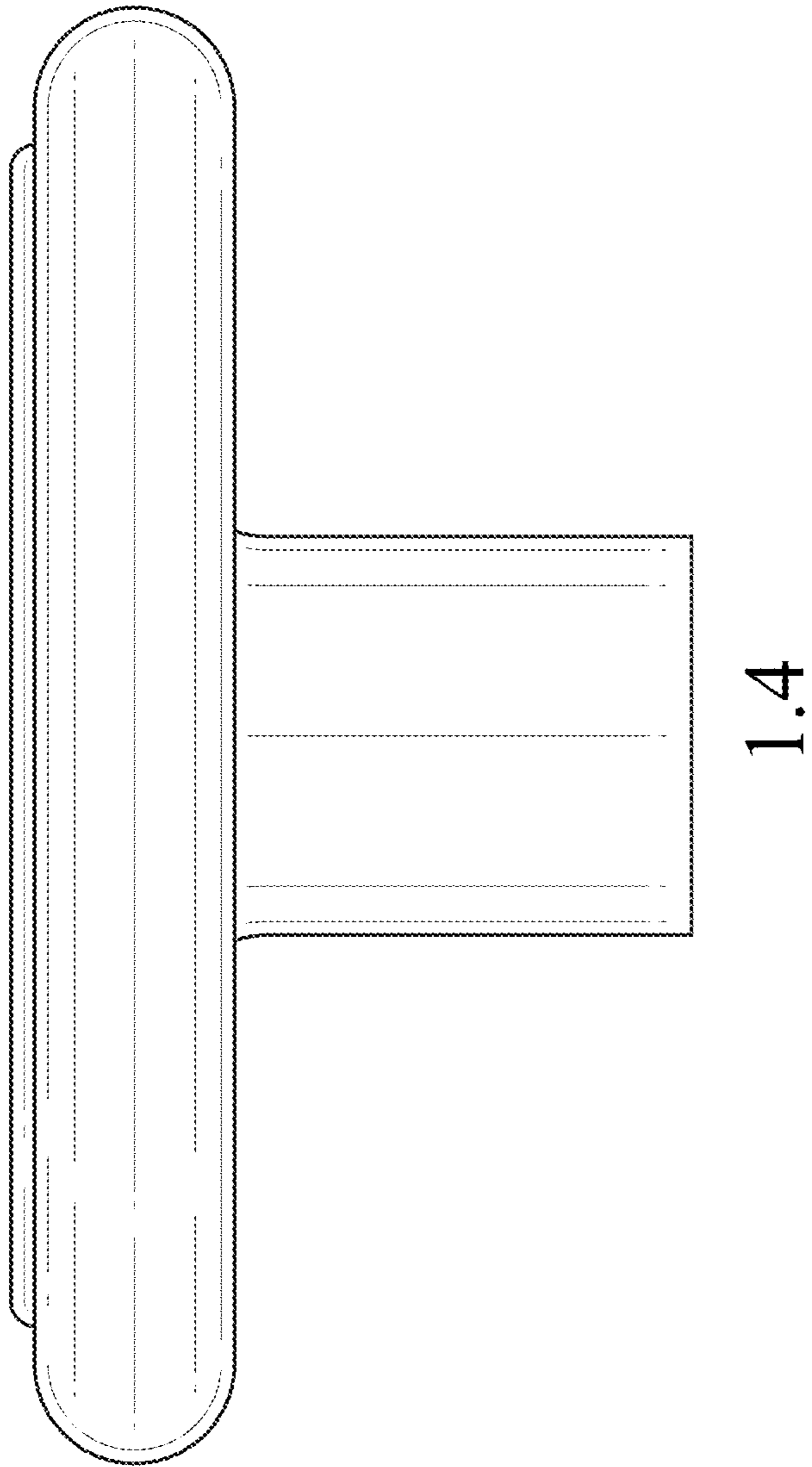
1.1

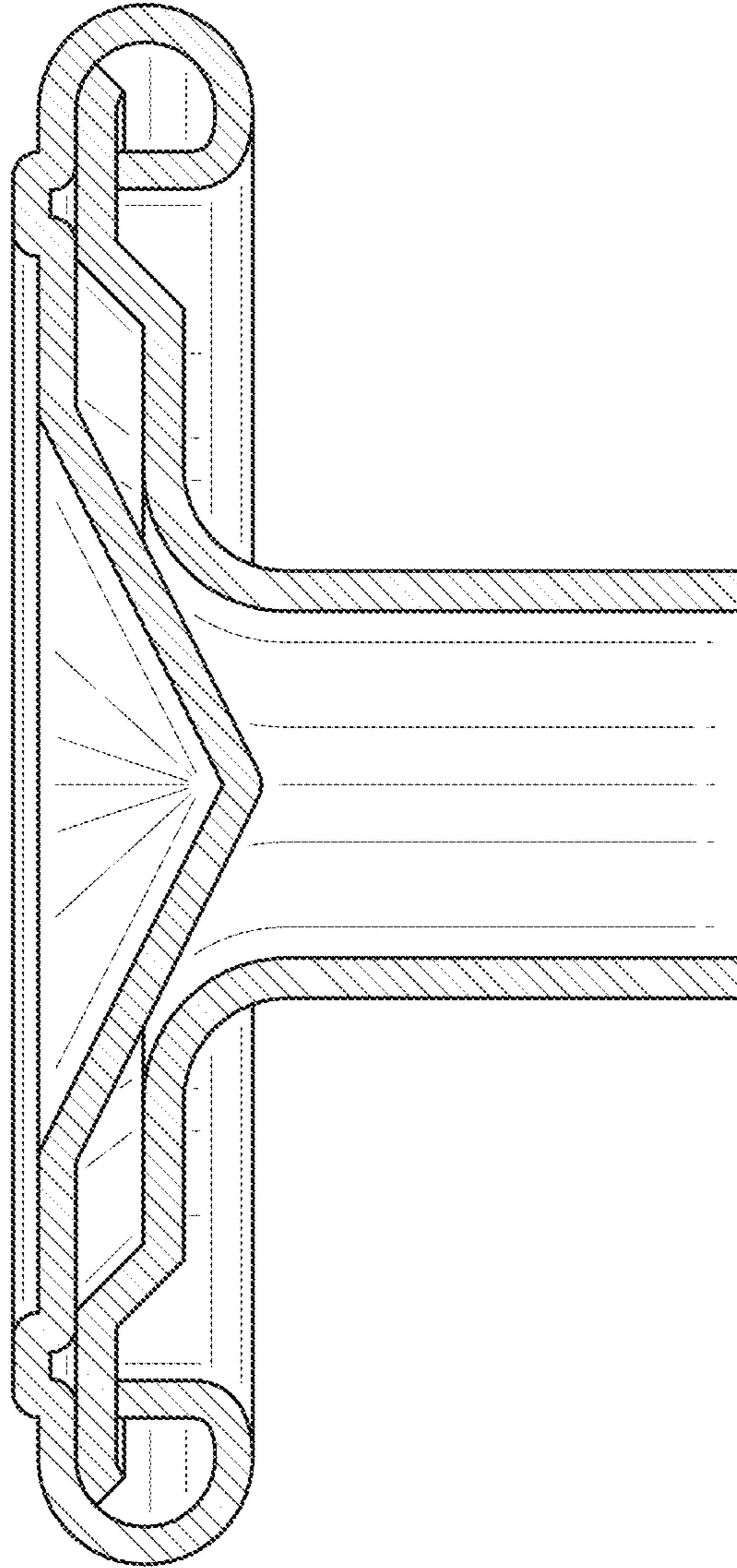


1.2

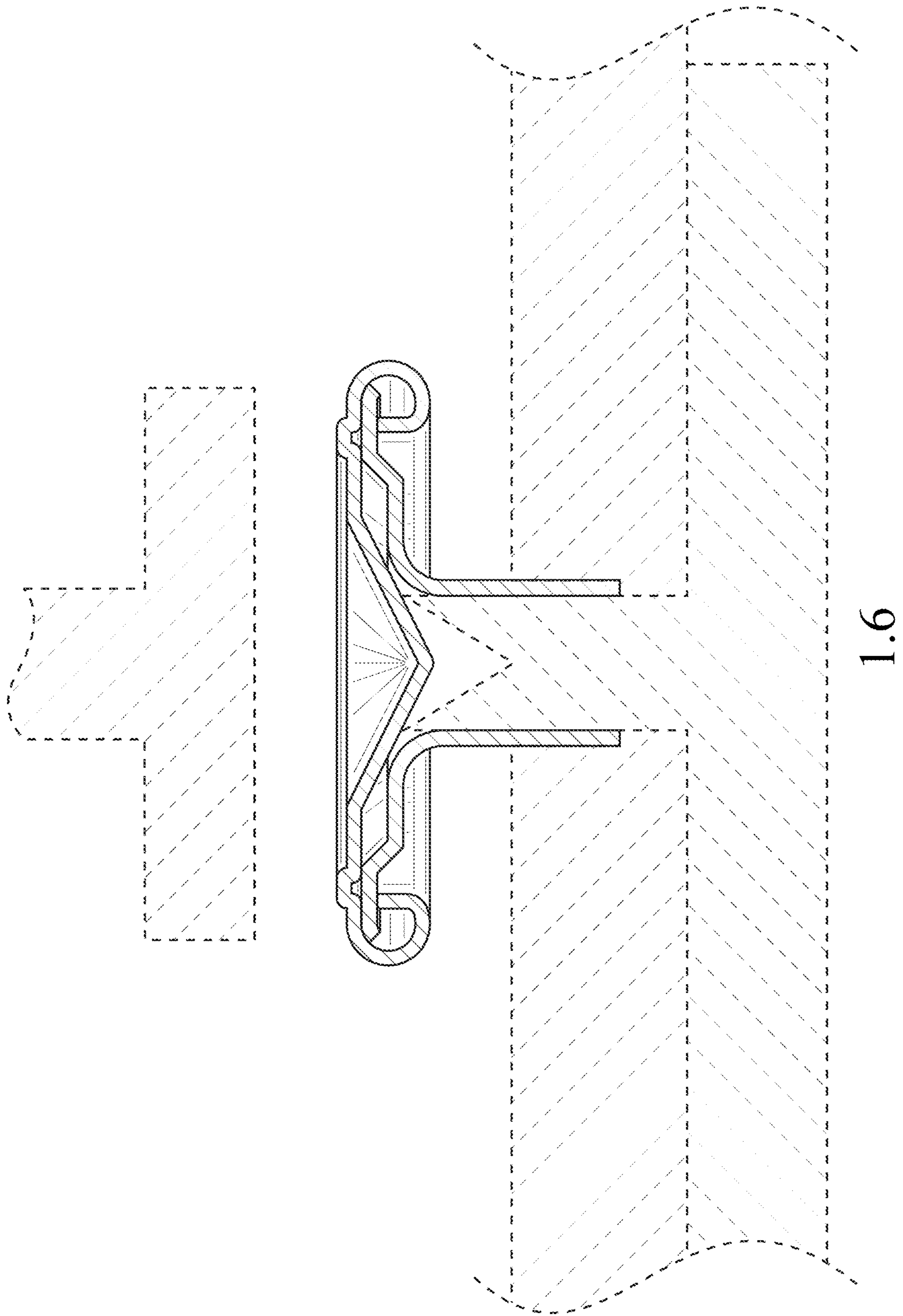


1.3

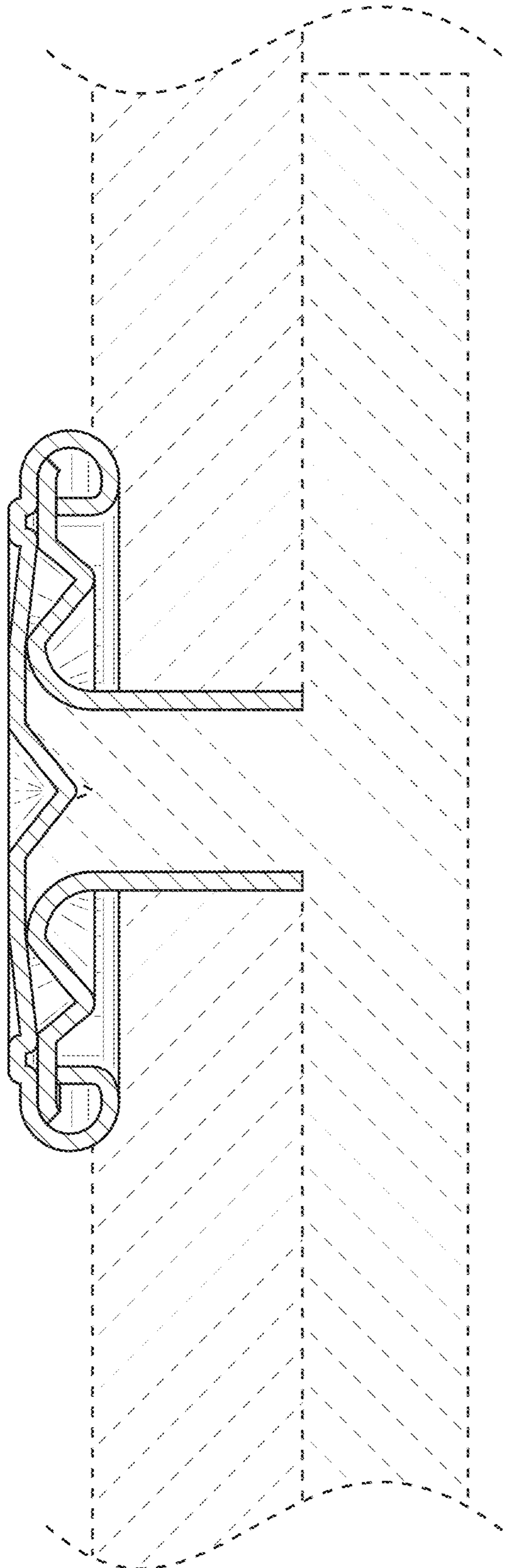




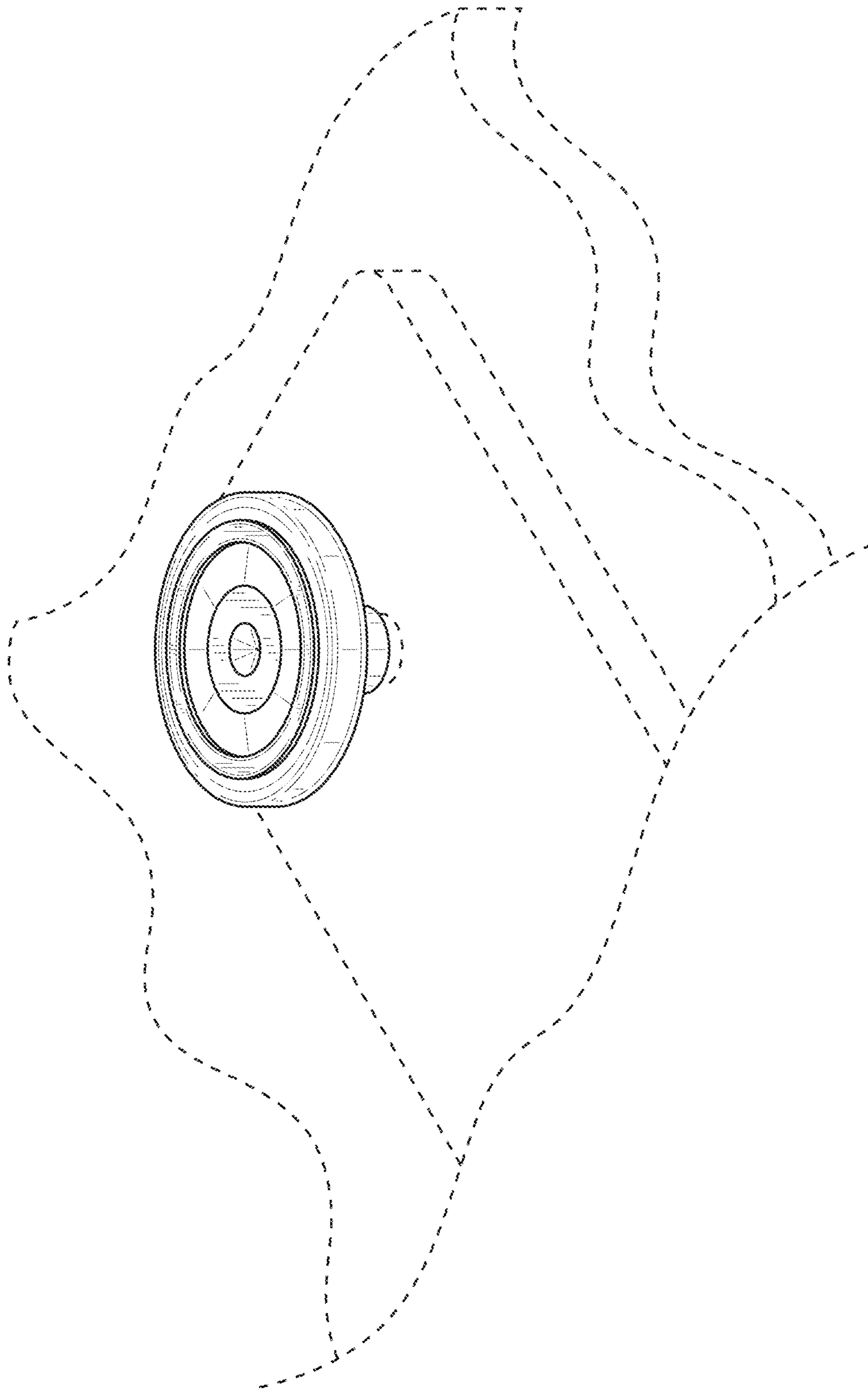
1.5



1.6



1.7



1.8