

US00D894721S

(12) **United States Design Patent** (10) **Patent No.:** **US D894,721 S**  
**LePoire et al.** (45) **Date of Patent:** **\*\* Sep. 1, 2020**

(54) **ANCHOR FOR A FLOOR** 3,087,206 A 4/1963 Delf et al.  
3,577,694 A 5/1971 Omholt  
(71) Applicant: **Columbia Insurance Company,** 3,600,868 A 8/1971 Wilson, Jr. et al.  
Omaha, NE (US) 3,823,522 A 7/1974 Jureit et al.  
3,953,015 A \* 4/1976 Taylor ..... E04F 21/185  
269/46  
(72) Inventors: **Robert A. LePoire,** St. Albans, MO D251,542 S \* 4/1979 Ozvath ..... D8/343  
(US); **David C. Wert,** Pacific, MO  
(US) 4,211,048 A 7/1980 Naka  
(Continued)

(73) Assignee: **Columbia Insurance Company,**  
Omaha, NE (US)

**FOREIGN PATENT DOCUMENTS**

(\*\*) Term: **15 Years**

FR 2584758 A1 1/1987  
GB 2 078 817 A 1/1982

(21) Appl. No.: **29/674,143**

**OTHER PUBLICATIONS**

(22) Filed: **Dec. 19, 2018**

Posi-joint Concrete System Installation Details, MiTek Brochure,  
www.mii.com. pp. 7, at least as early as Dec. 19, 2018.

(51) **LOC (12) Cl.** ..... **08-08**

(Continued)

(52) **U.S. Cl.**  
USPC ..... **D8/382**

(58) **Field of Classification Search**  
USPC ..... D8/349, 354, 366, 373, 380, 381, 382,  
D8/384; D25/199  
CPC ..... E04F 11/166; E04F 13/24; E04F 13/26;  
E04F 13/0826; E04F 13/0846; E04F  
15/02044; E04F 15/048; E04F 15/02005;  
E04F 15/082; E04F 15/02038; E04F  
19/02; E04F 19/061; E04F 19/066; E04F  
19/0495; E04F 2015/02077; E04F  
2015/02094; E04F 2201/0547; E04F  
21/0015; E04B 1/41; E04B 1/40; E04B  
2001/405; F16B 15/0023; F16B 15/0046;  
Y10S 411/921; Y10S 52/06; Y10T  
16/5547

*Primary Examiner* — Sandra S Snapp  
*Assistant Examiner* — Ieisha N Price  
(74) *Attorney, Agent, or Firm* — Stinson LLP

See application file for complete search history.

(57) **CLAIM**

The ornamental design for an anchor for a floor, as shown  
and described.

(56) **References Cited**

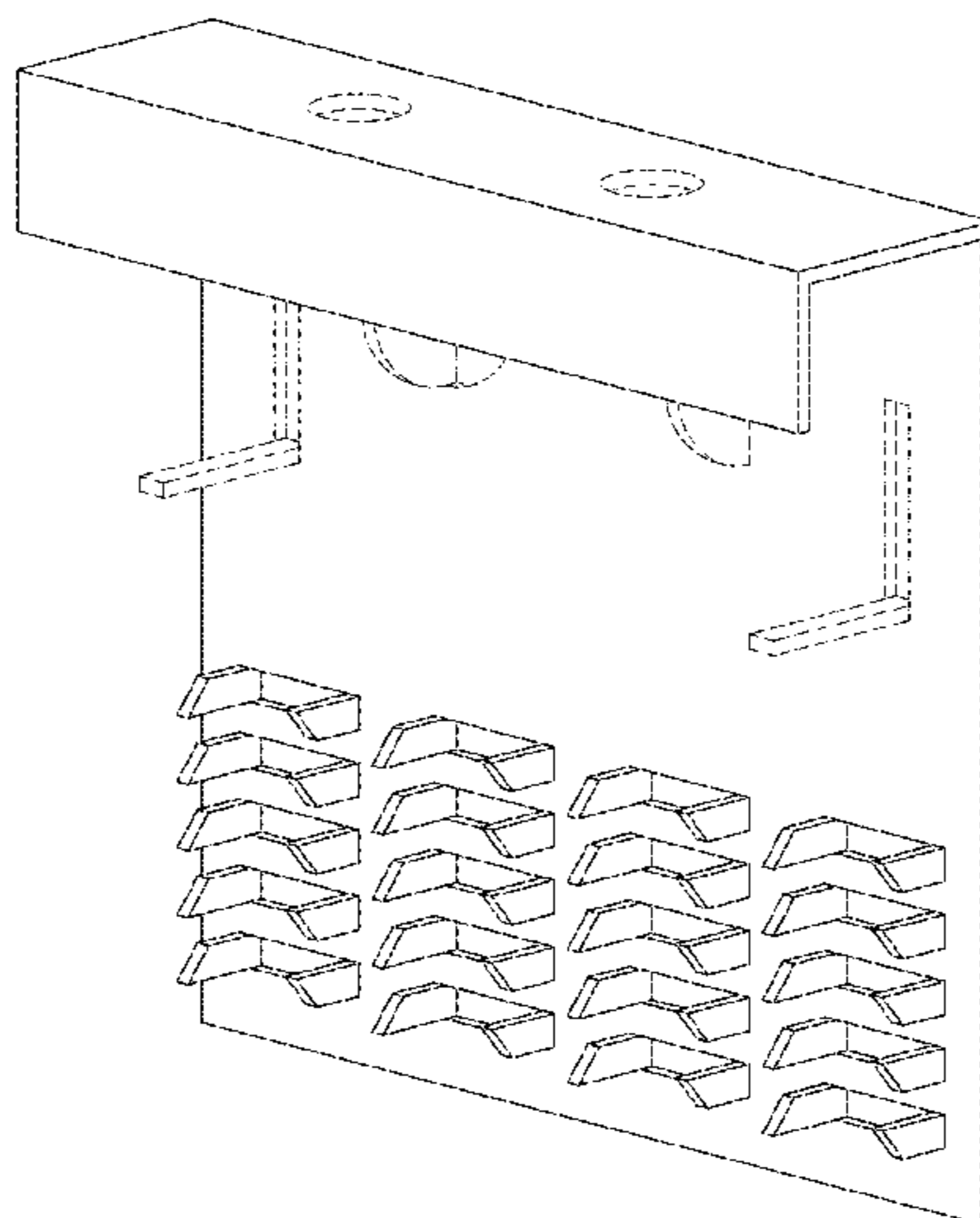
**DESCRIPTION**

**U.S. PATENT DOCUMENTS**

1,779,885 A 10/1930 Lucy  
1,833,998 A 12/1931 Kinninger  
2,831,222 A \* 4/1958 Anderson ..... E04F 13/0846  
52/489.1  
3,045,294 A 7/1962 Livezey, Jr.

FIG. 1 is a perspective of an anchor for a floor according to  
the present disclosure;  
FIG. 2 is a front view thereof;  
FIG. 3 is a right side view thereof;  
FIG. 4 is a top plan view thereof;  
FIG. 5 is a rear view thereof;  
FIG. 6 is a left side view thereof; and,  
FIG. 7 is a bottom plan view thereof.  
The broken lines in the drawings depict portions of the  
anchor for a floor that form no part of the claimed design.

**1 Claim, 7 Drawing Sheets**



(56)

References Cited

U.S. PATENT DOCUMENTS

4,297,048 A \* 10/1981 Jureit ..... F16B 15/0046  
403/189

4,616,462 A 10/1986 Abendroth

4,738,071 A 4/1988 Ezard

4,831,808 A \* 5/1989 Wynar ..... E04B 9/245  
52/281

4,856,250 A 8/1989 Gronau et al.

5,369,927 A 12/1994 Counihan

D362,174 S \* 9/1995 Sachs ..... D8/354

D394,377 S \* 5/1998 Najewski ..... D8/354

5,778,621 A 7/1998 Randjelovic

6,085,482 A 7/2000 Jalla

6,378,828 B1 \* 4/2002 Valiulis ..... A47F 5/0838  
211/59.1

6,513,290 B2 2/2003 Leek

7,296,386 B2 11/2007 Leek

D589,334 S \* 3/2009 Hotchkiss, III ..... D8/382

D644,503 S \* 9/2011 Crane ..... D8/354

8,082,701 B1 \* 12/2011 Wendel ..... E04C 3/145  
52/100

D663,190 S \* 7/2012 Mota ..... D16/242

D732,929 S \* 6/2015 Harrow ..... D8/354

D742,728 S \* 11/2015 Ostler ..... D8/373

9,175,705 B1 11/2015 Clark, Jr. et al.

D753,638 S \* 4/2016 Tatem ..... D14/239

D768,469 S \* 10/2016 Bengtsson ..... D8/382

9,938,709 B2 \* 4/2018 Daudet ..... E04B 1/2403

D818,363 S \* 5/2018 Kovacs ..... D9/457

D876,203 S \* 2/2020 Riner ..... D8/354

2002/0194831 A1 12/2002 Mead

2003/0126820 A1 \* 7/2003 Callahan ..... E04B 5/12  
52/514

2003/0172608 A1 9/2003 Chambers

2004/0074183 A1 4/2004 Schneider, III et al.

2010/0269445 A1 10/2010 Gannon et al.

2011/0258828 A1 10/2011 Moss, Jr. et al.

2015/0096242 A1 4/2015 Lin

2015/0264823 A1 \* 9/2015 Shirley ..... F16M 13/02  
248/287.1

2017/0051499 A1 \* 2/2017 Wert ..... E04B 1/40

2017/0130755 A1 \* 5/2017 Muhn ..... E04B 1/1903

2017/0150831 A1 \* 6/2017 Kovacs ..... A47F 7/02

2018/0066424 A1 \* 3/2018 Daudet ..... E04B 1/40

2018/0066425 A1 \* 3/2018 Ralph ..... E04B 1/40

2018/0163392 A1 6/2018 Spampatti et al.

2019/0071878 A1 \* 3/2019 Lindberg ..... E04F 13/10

2019/0242141 A1 \* 8/2019 Dye ..... E04F 19/064

OTHER PUBLICATIONS

International Search Report and Written Opinion issued for PCT/  
US2019/067318, dated Apr. 27, 2020, 16 pages.

\* cited by examiner

FIG. 1

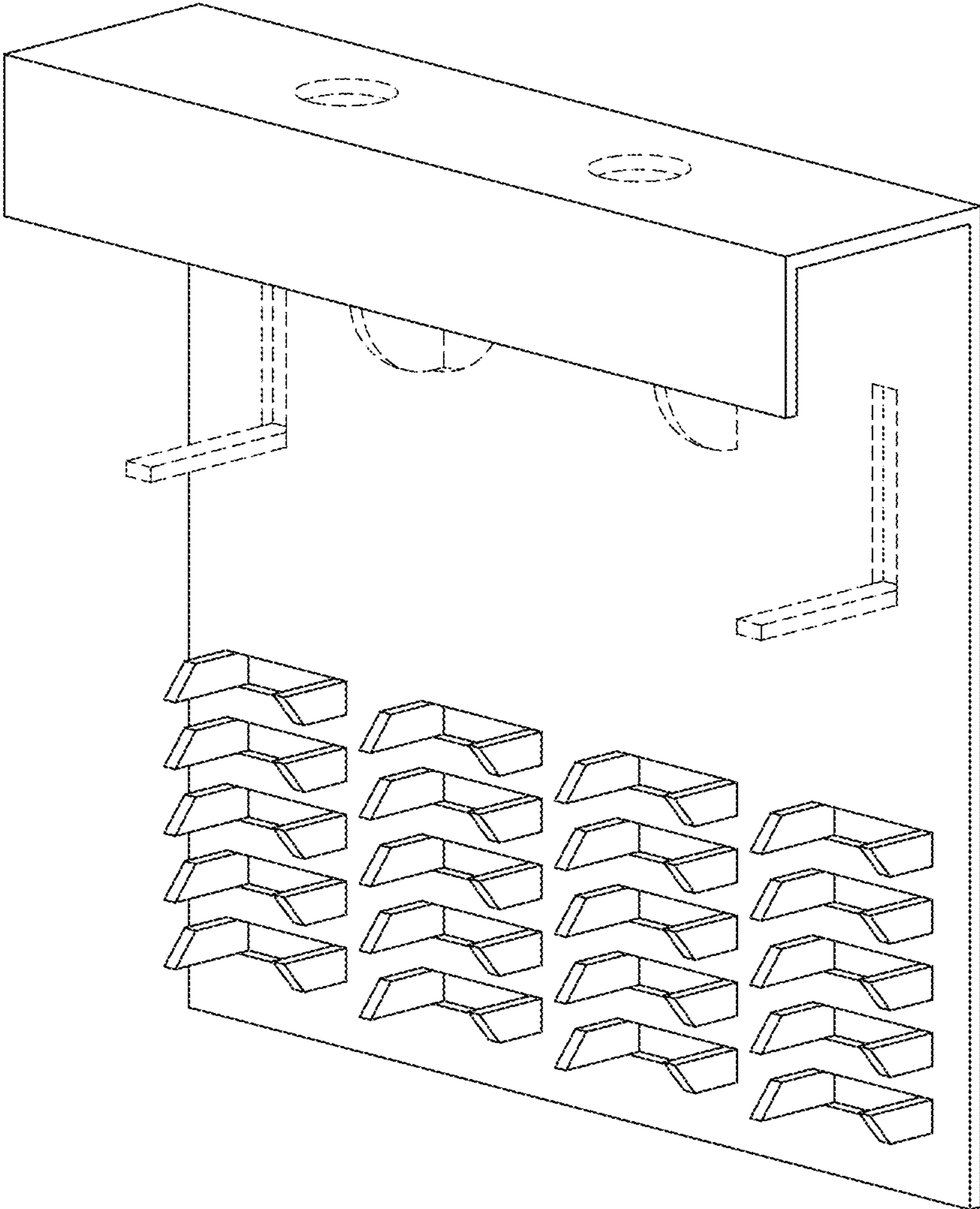


FIG. 2

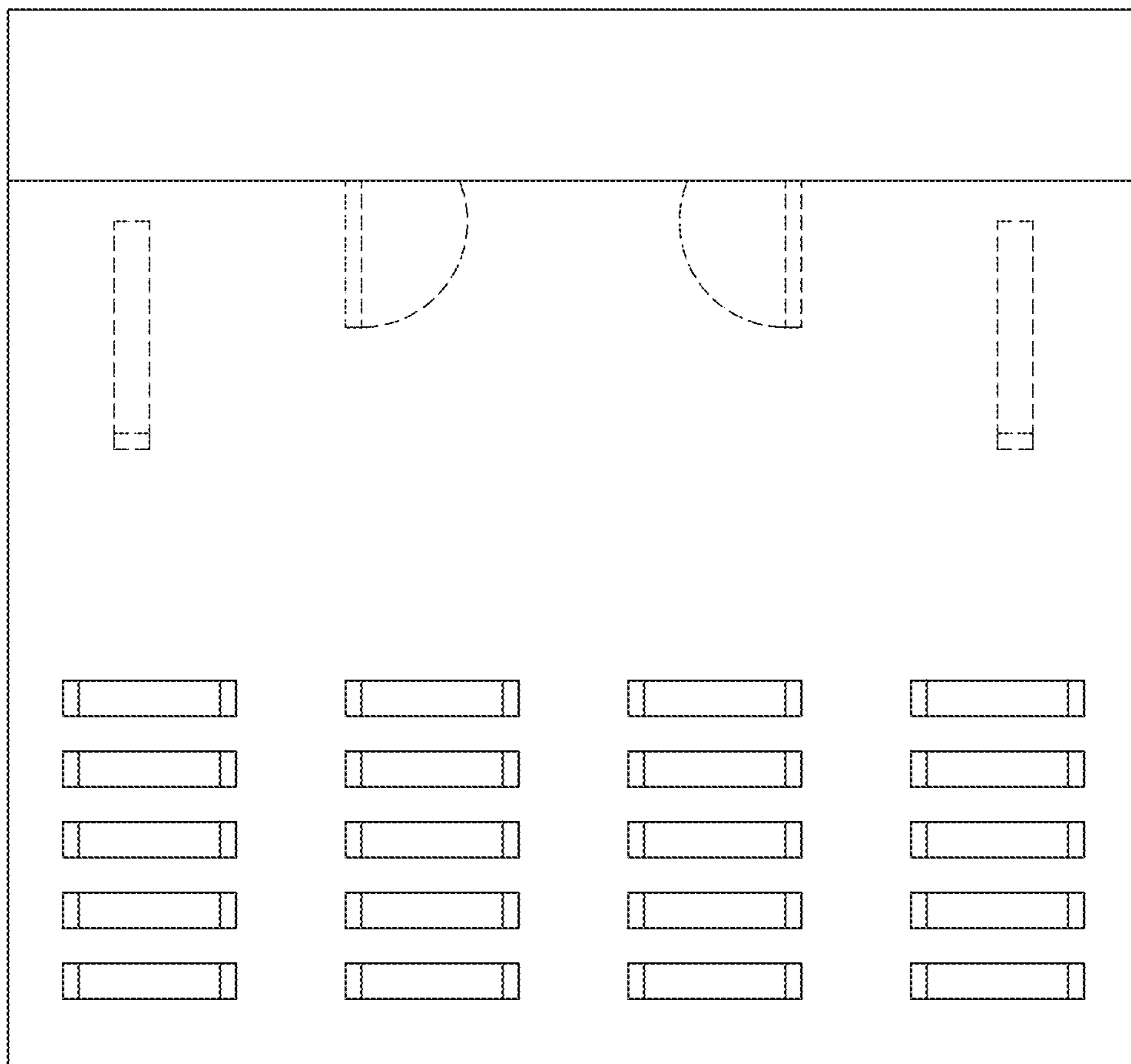


FIG. 3

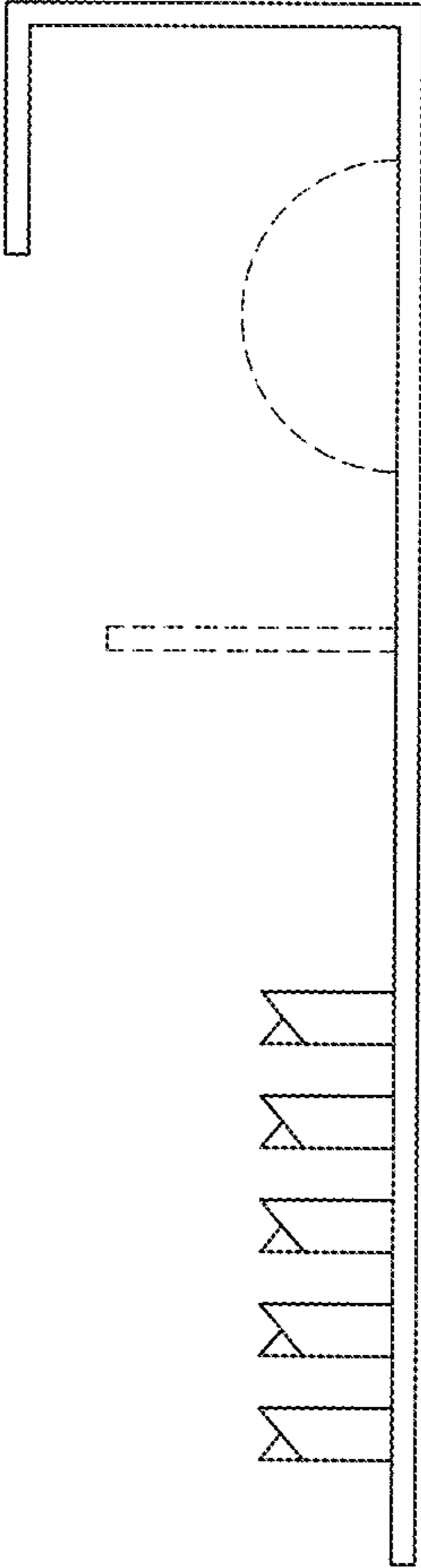


FIG. 4



FIG. 5

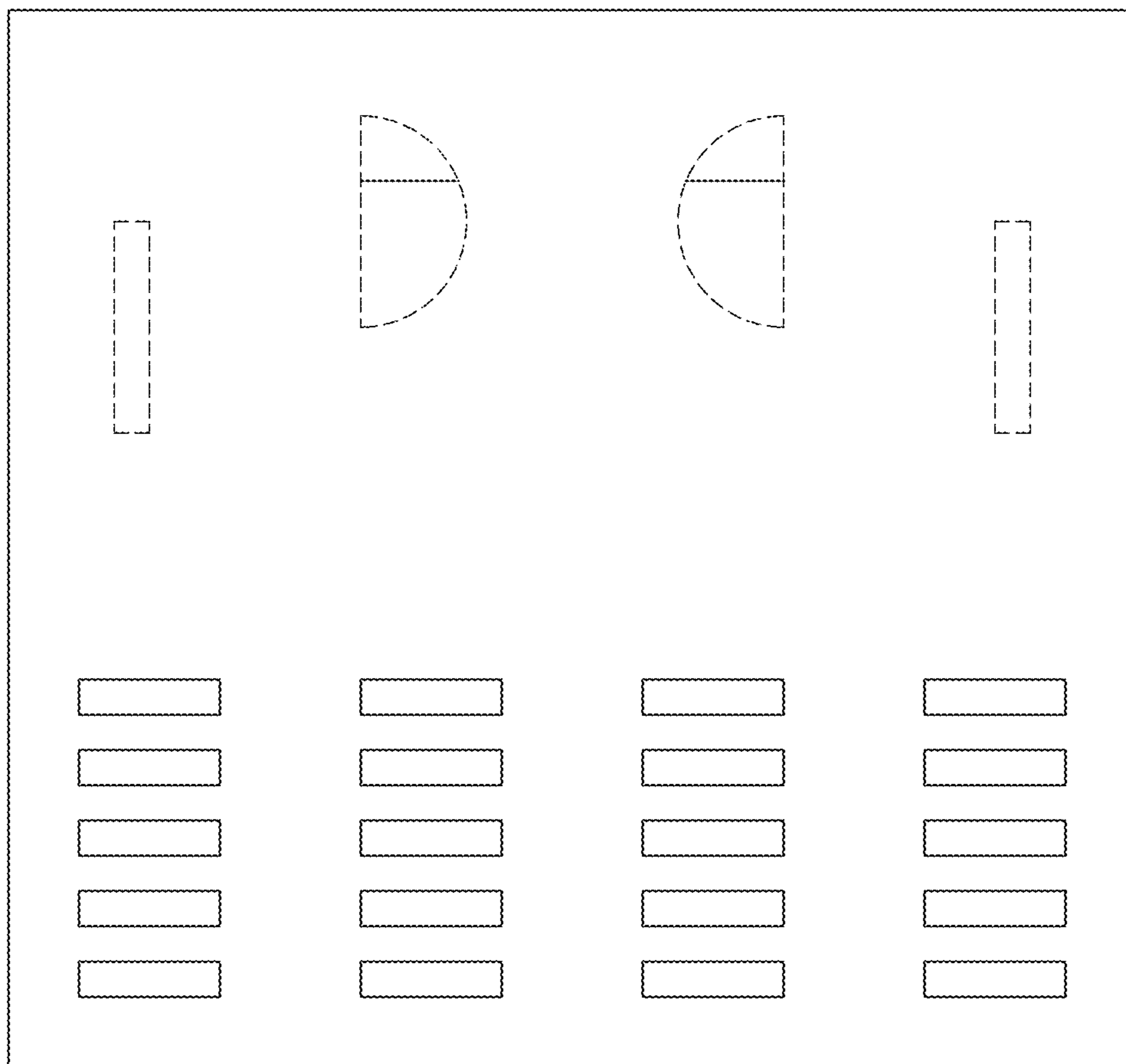


FIG. 6

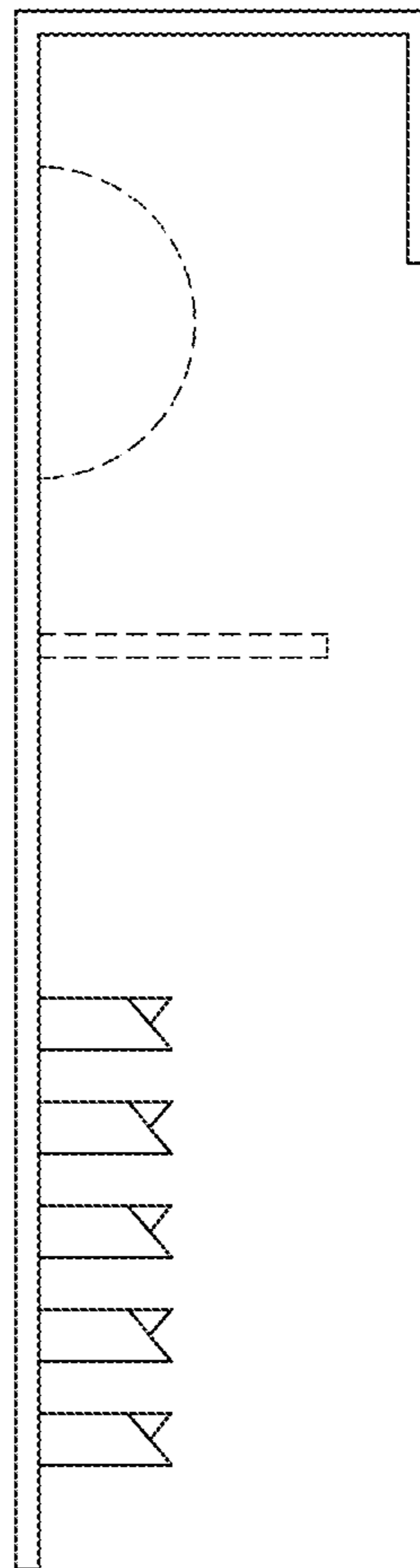




FIG. 7

