



US00D894720S

(12) **United States Design Patent** (10) **Patent No.:** **US D894,720 S**
Wendling (45) **Date of Patent:** **** Sep. 1, 2020**

(54) **FURNITURE RISER**
(71) Applicant: **Allan Wendling**, New Lothrop, MI (US)
(72) Inventor: **Allan Wendling**, New Lothrop, MI (US)
(**) Term: **15 Years**

6,345,474 B1 2/2002 Triplett
D493,095 S 7/2004 Sittig
D493,096 S 7/2004 Sittig
D653,088 S * 1/2012 Hansen D7/624.1
8,468,957 B2 * 6/2013 Ruiz A47B 91/00
108/91
9,033,293 B1 5/2015 Glenn et al.
D734,135 S 7/2015 Mery
D736,607 S 8/2015 Sheldon
(Continued)

(21) Appl. No.: **29/715,441**
(22) Filed: **Dec. 2, 2019**

Related U.S. Application Data

(63) Continuation-in-part of application No. 29/670,049, filed on Nov. 13, 2018.
(51) **LOC (12) Cl.** **08-05**
(52) **U.S. Cl.**
USPC **D8/374**
(58) **Field of Classification Search**
USPC D8/373, 374, 375, 354; D6/675, 685, D6/687, 690, 691.1, 691.2, 691.3, 641, D6/671; 248/188.2, 188.9, 346.04, 248/346.05, 346.5, 346.11
CPC A47B 7/00; A47B 13/08; A47B 91/00; A47B 19/00; A47B 91/005; A47B 91/04; A47B 91/12
See application file for complete search history.

(56) **References Cited**

U.S. PATENT DOCUMENTS

D44,952 S * 12/1913 Buser D8/374
1,912,728 A * 6/1933 Roe A47B 91/12
248/346.11
3,126,666 A 3/1964 Peterson
3,138,893 A 6/1964 Rupar
D336,843 S 6/1993 Hurst
5,345,631 A 9/1994 Saperstein et al.
D401,844 S * 12/1998 Klippert, Jr. D8/375
6,012,185 A * 1/2000 Woods A47C 19/024
248/188.2
D423,340 S 4/2000 Sittig

OTHER PUBLICATIONS

Dapre Furniture Riser Bed Riser Heavy Duty Furniture Riser for Bed Chair Sofa Table 4 PCS 3-inch; [*Primary Examiner* — Manpreet S Matharu
Assistant Examiner — Yolanda Robinson
\(74\) *Attorney, Agent, or Firm* — Dinsmore & Shohl LLP](https://www.amazon.com/Dapre-Furniture-Riser_Heavy-3-inch/dp/B07Y9XKWCR/ref=sr_1_231?keywords=furniture+riser&qid=1575239703&sr=8-231, Dec. 1, 2019, 1 page.
(Continued)</p></div>
<div data-bbox=)

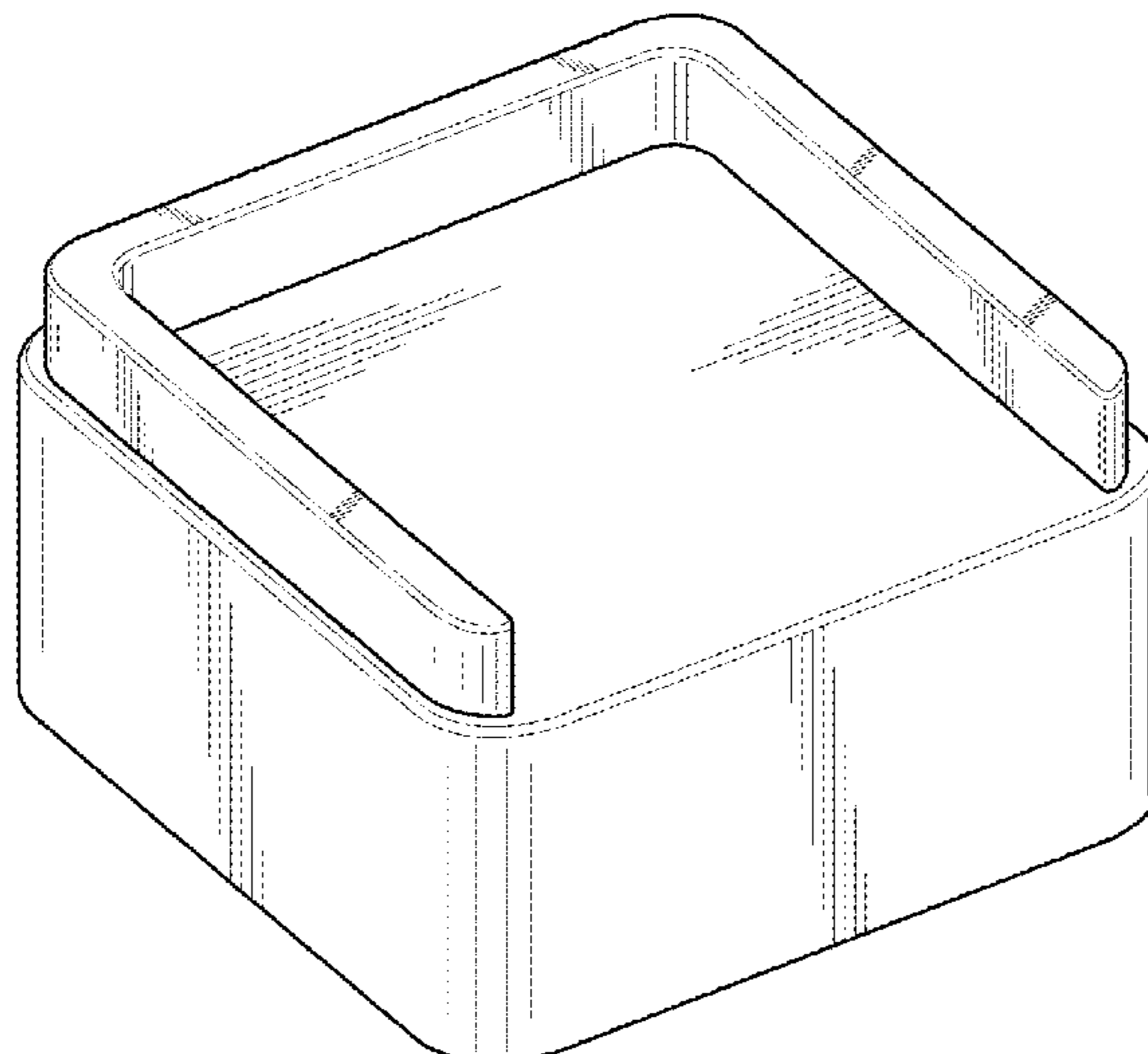
(57) **CLAIM**

The ornamental design for a furniture riser, as shown and described.

DESCRIPTION

FIG. 1 is a front perspective view illustrating a furniture riser;
FIG. 2 is a top view of the furniture riser;
FIG. 3 is a front view of the furniture riser;
FIG. 4 is a rear view of the furniture riser;
FIG. 5 is a right side view of the furniture riser;
FIG. 6 is a left side view of the furniture riser; and,
FIG. 7 is a bottom view of the furniture riser.
The broken lines show components of the furniture riser that form no part of the claimed design.

1 Claim, 3 Drawing Sheets



(56)

References Cited

U.S. PATENT DOCUMENTS

D764,902 S * 8/2016 Clarke D8/374
D784,120 S 4/2017 Abdi et al.
D828,144 S 9/2018 Rodack
2007/0187564 A1* 8/2007 McGuire E02D 27/42
248/346.5

OTHER PUBLICATIONS

Accibca Bed Riser Furniture Lift ed Frame Risers Create Under Bed Storage Heavy Duty Set of 4 (white); https://www.amazon.com/Accibca-Furniture-Risers-Create-Storage/dp/B0783B8XBV/ref=sr_1_15?keywords=furniture+riser&qid=1575239070&sr=8-15; Dec. 1, 2019, 1 page.

MEETWARM 3 Inch Bed Risers Heavy Duty Furniture Risers Stackable Platform Blocks for Dorm Couch Bed Sofa Chair Table (Black), Set of 4; https://www.amazon.com/MEETWARM-Risers-Furniture-Stackable-Platform/dp/B07SDCYRM6/ref=sr_1_30?keywords=furniture+riser&qid=1575239070&sr=8-30; Dec. 1, 2019; 1 page.

* cited by examiner

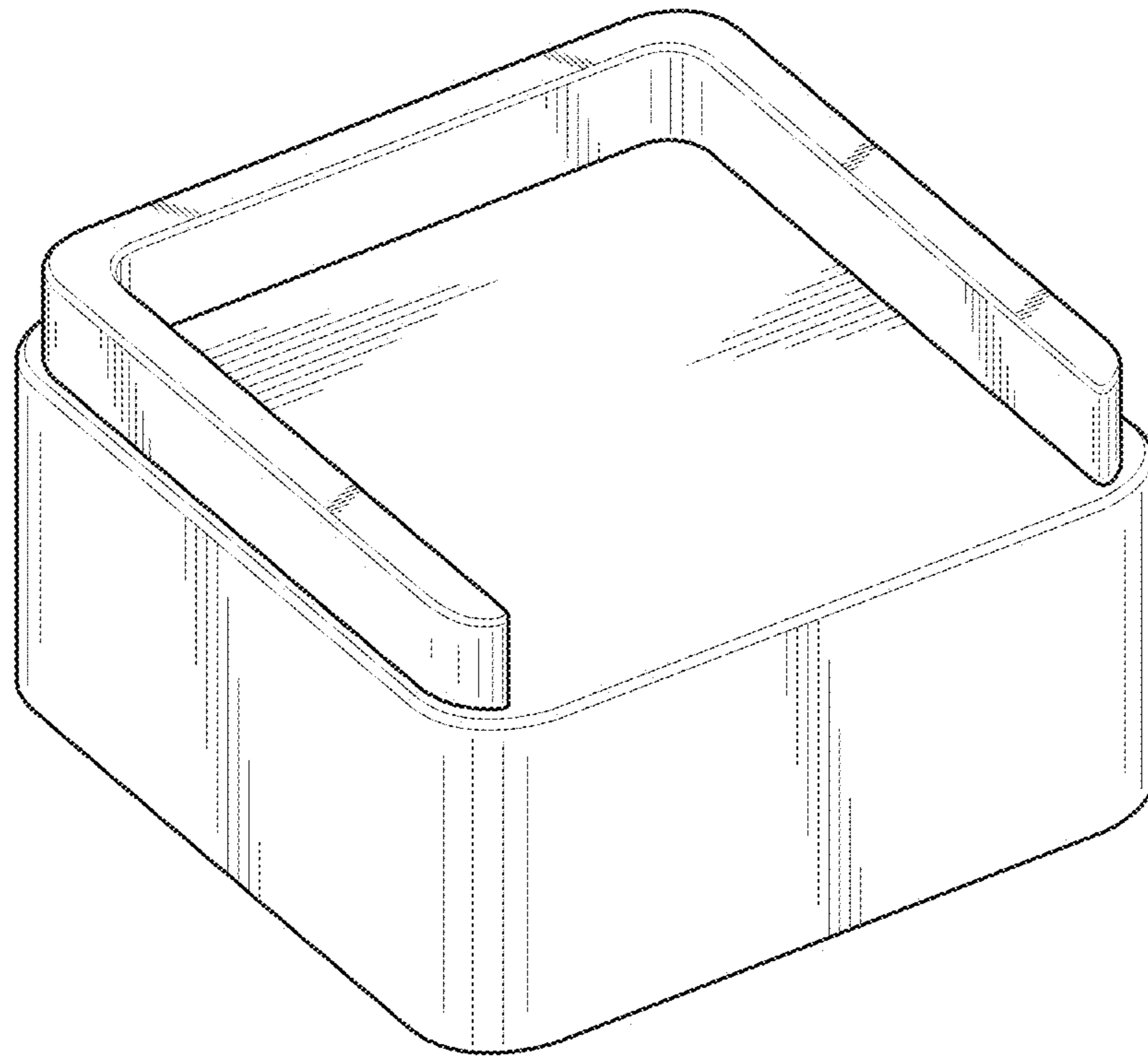


FIG. 1

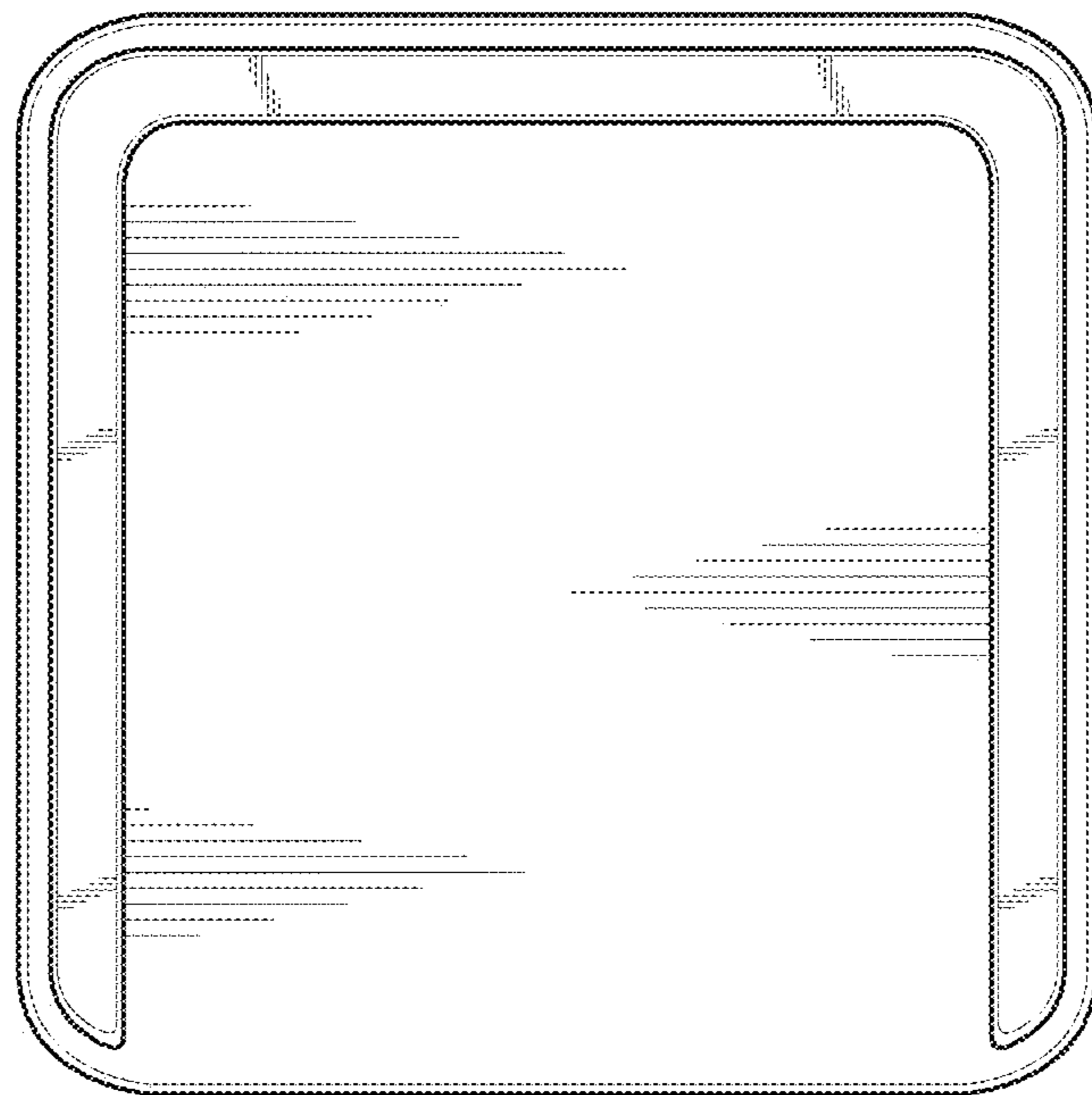


FIG. 2

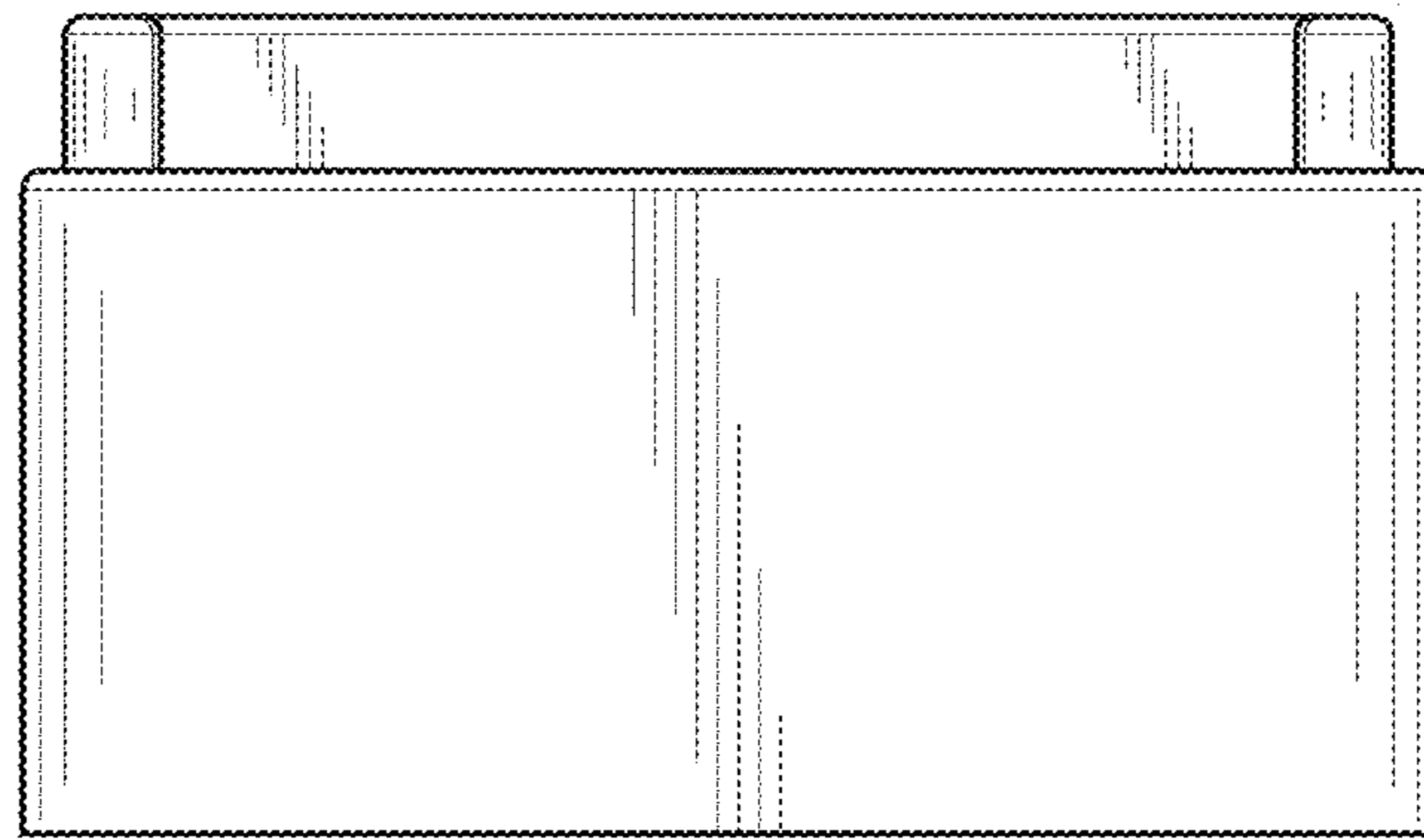


FIG. 3

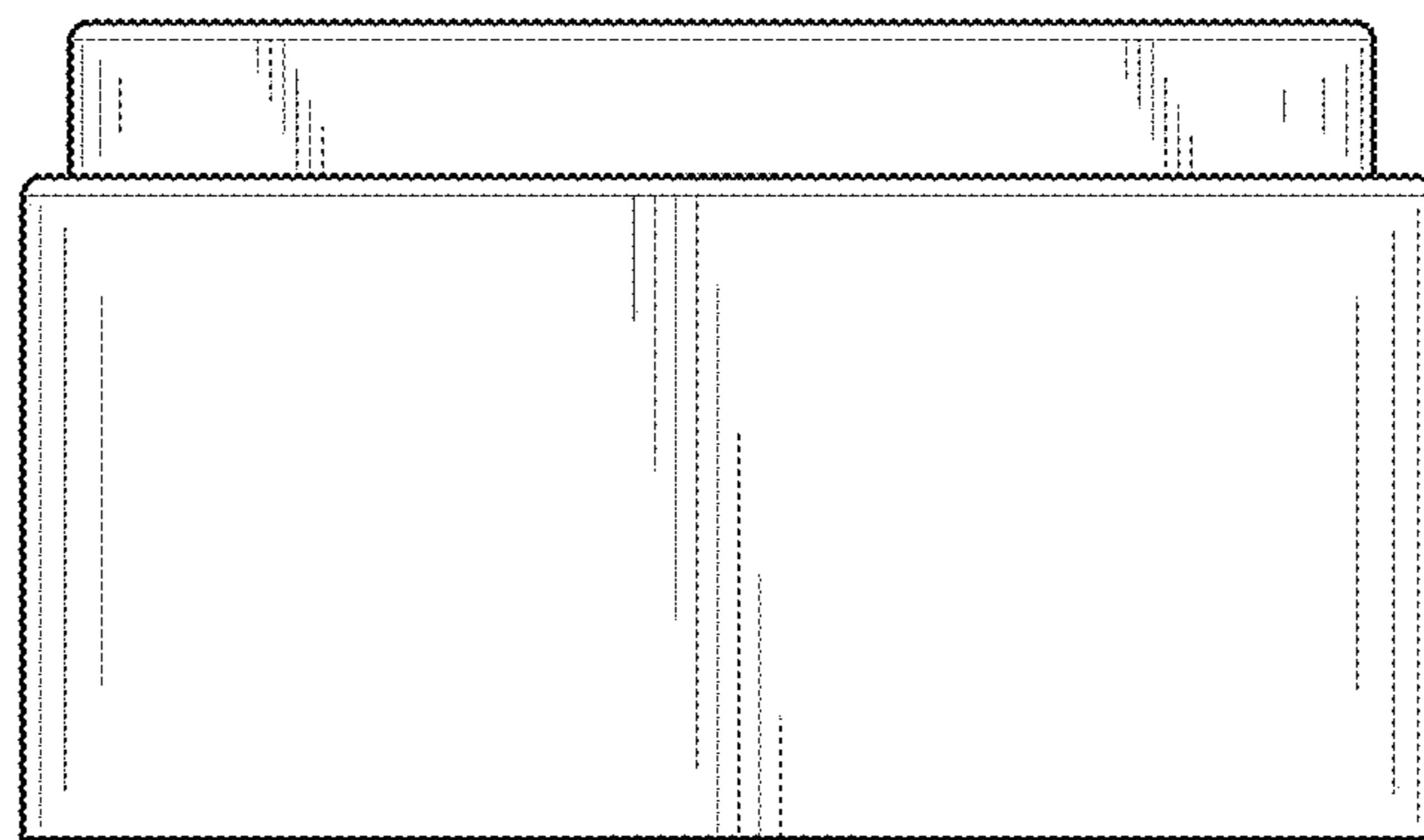


FIG. 4

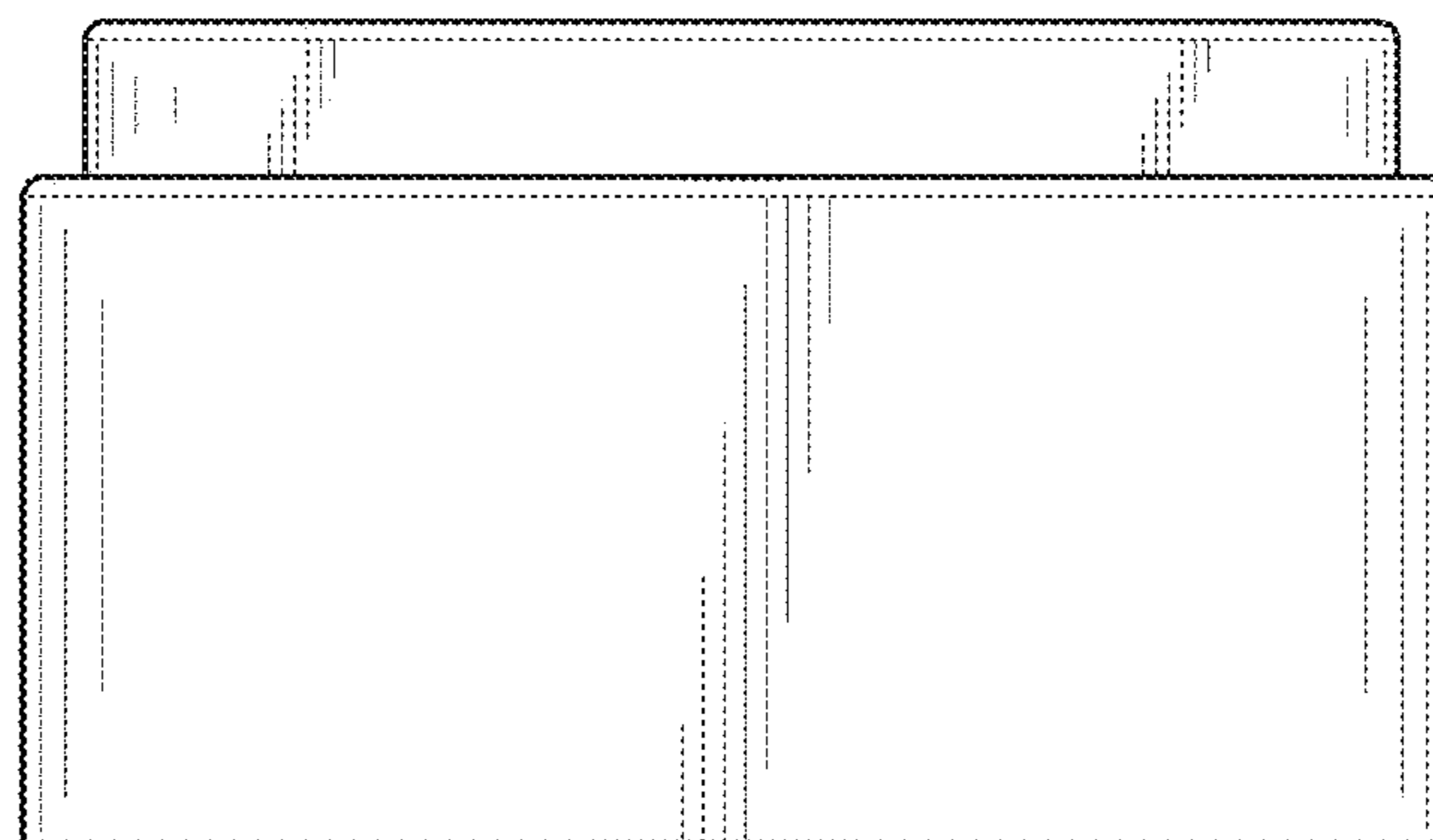


FIG. 5

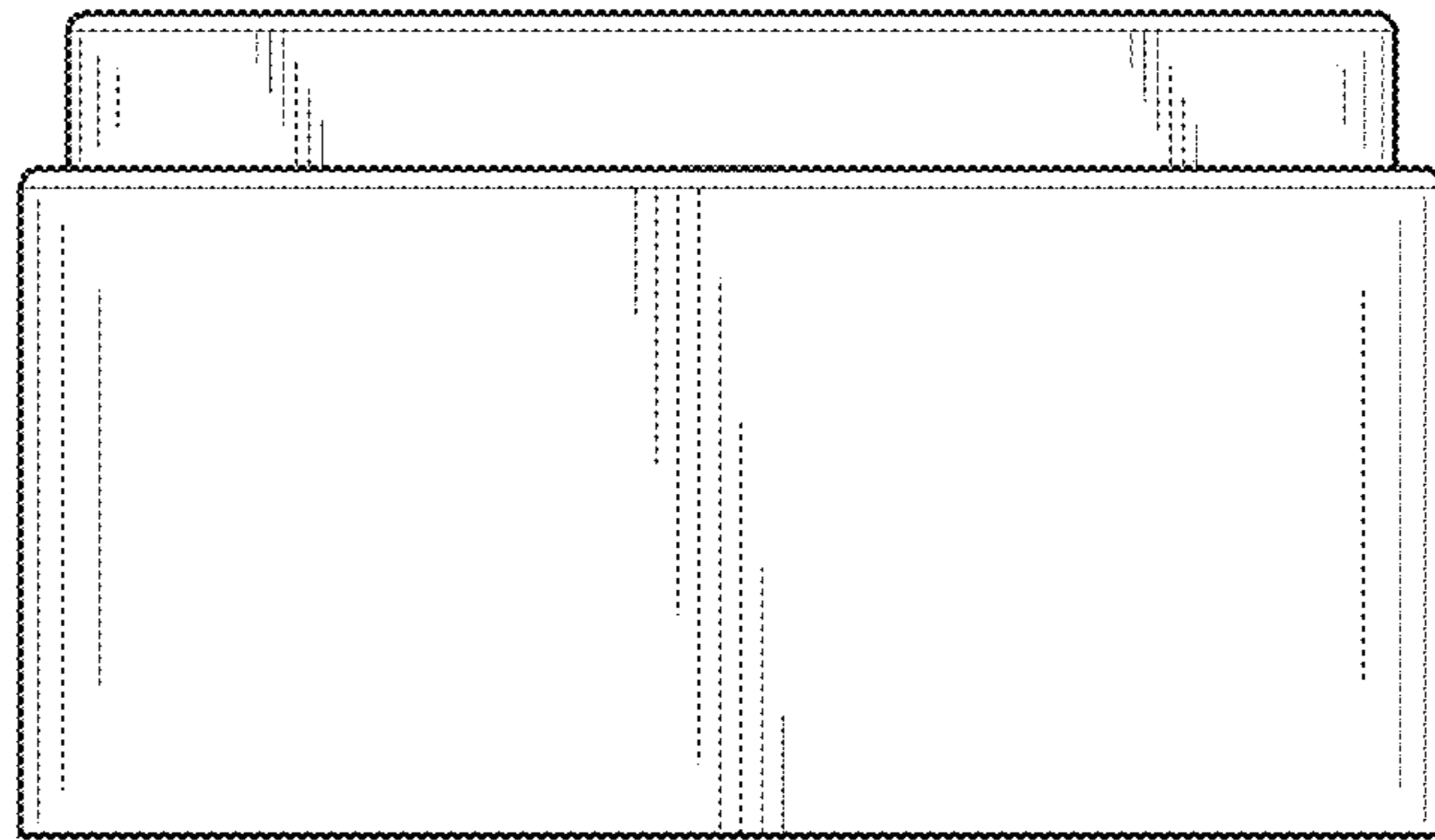


FIG. 6

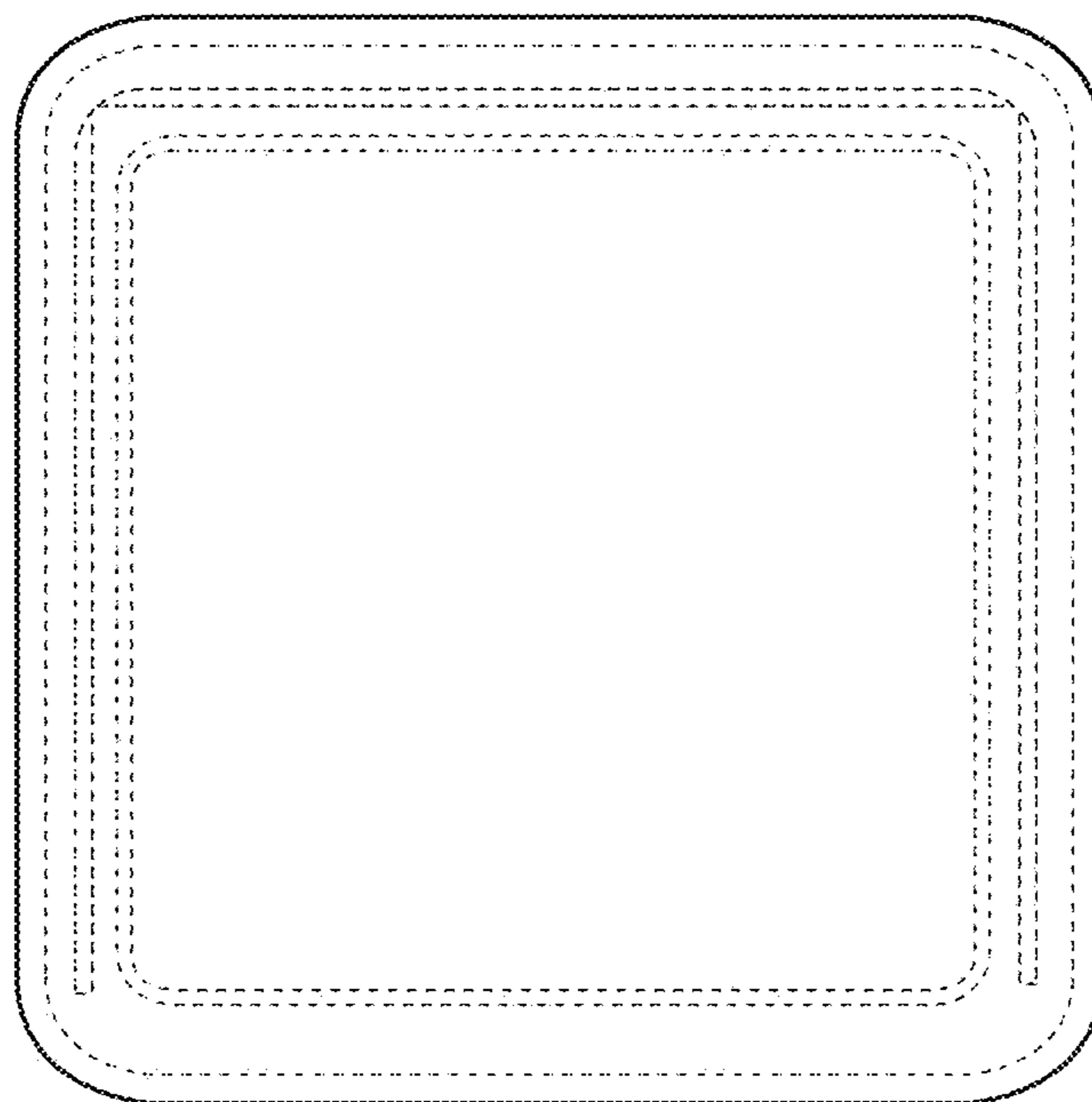


FIG. 7