



US00D894719S

(12) **United States Design Patent**
Mills

(10) **Patent No.:** **US D894,719 S**

(45) **Date of Patent:** **** Sep. 1, 2020**

(54) **MULTI-POSITION WALL MOUNTED BARRIER**

(71) Applicant: **Adam Mills**, Denver, CO (US)

(72) Inventor: **Adam Mills**, Denver, CO (US)

(**) Term: **15 Years**

(21) Appl. No.: **29/657,197**

(22) Filed: **Jul. 19, 2018**

(51) **LOC (12) Cl.** **08-05**

(52) **U.S. Cl.**
USPC **D8/358**

(58) **Field of Classification Search**
USPC D8/354, 355, 356, 358; D25/48.4, 48.6, D25/126
CPC E01F 13/028; E01F 13/022; E01F 13/04
See application file for complete search history.

(56) **References Cited**

U.S. PATENT DOCUMENTS

D260,073	S *	8/1981	Wells	D8/358
4,844,420	A *	7/1989	Oster	B65H 75/38
					256/1
D325,332	S *	4/1992	Oberhelman	D8/333
9,175,450	B2	11/2015	Weiner		
D792,613	S *	7/2017	Bar-or	D25/126
10,035,677	B2 *	7/2018	Chen	B65H 75/48
6,375,164	B1	4/2020	Siegler		
2007/0164144	A1 *	7/2007	de Lorenzo	B65H 75/4442
					242/385.1

2010/0044661	A1 *	2/2010	Weiner	E01F 13/028
					256/1
2011/0296938	A1 *	12/2011	Doornbos	F16F 9/12
					74/411.5
2015/0137057	A1 *	5/2015	Weiner	E01F 13/028
					256/40

* cited by examiner

Primary Examiner — Lauren R Calve

(74) *Attorney, Agent, or Firm* — Ross Brandborg

(57) **CLAIM**

The ornamental design for a multi-position wall mounted barrier, as shown and described.

DESCRIPTION

FIG. 1 is a top left side isometric view of a multi-position wall mounted barrier shown in a first position.

FIG. 2 is a top right side isometric view thereof shown in use.

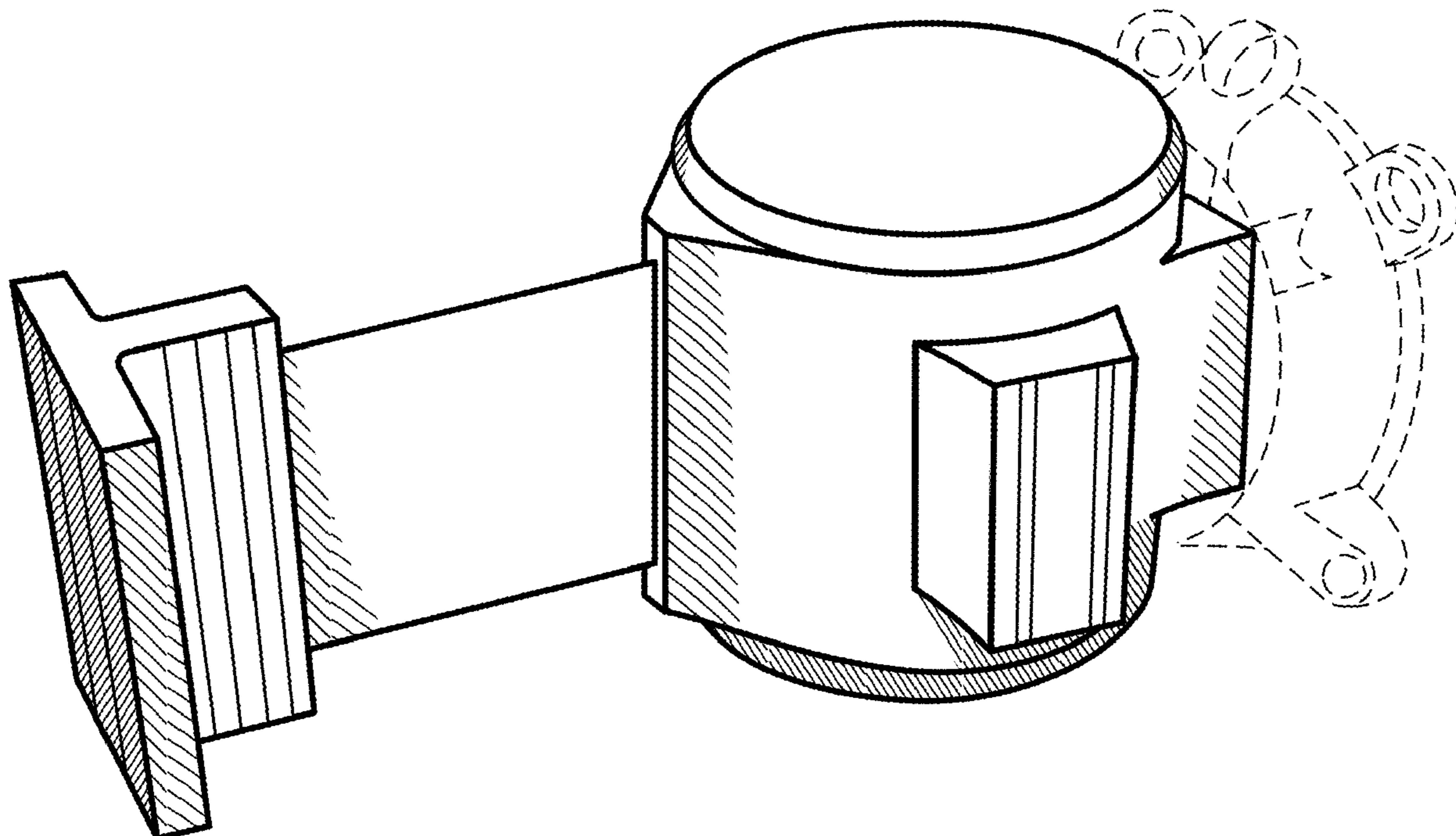
FIG. 3 is a top left side isometric view of the multi-position wall mounted barrier shown in a second position and in a second use.

FIG. 4 is a top right side isometric view thereof.

FIG. 5 is a rear isometric view of the multi-position wall mounted barrier; and,

FIG. 6 is a rear isometric view thereof shown in a third use. The broken lines shown represent environmental subject matter and form no part of the claimed design.

1 Claim, 3 Drawing Sheets



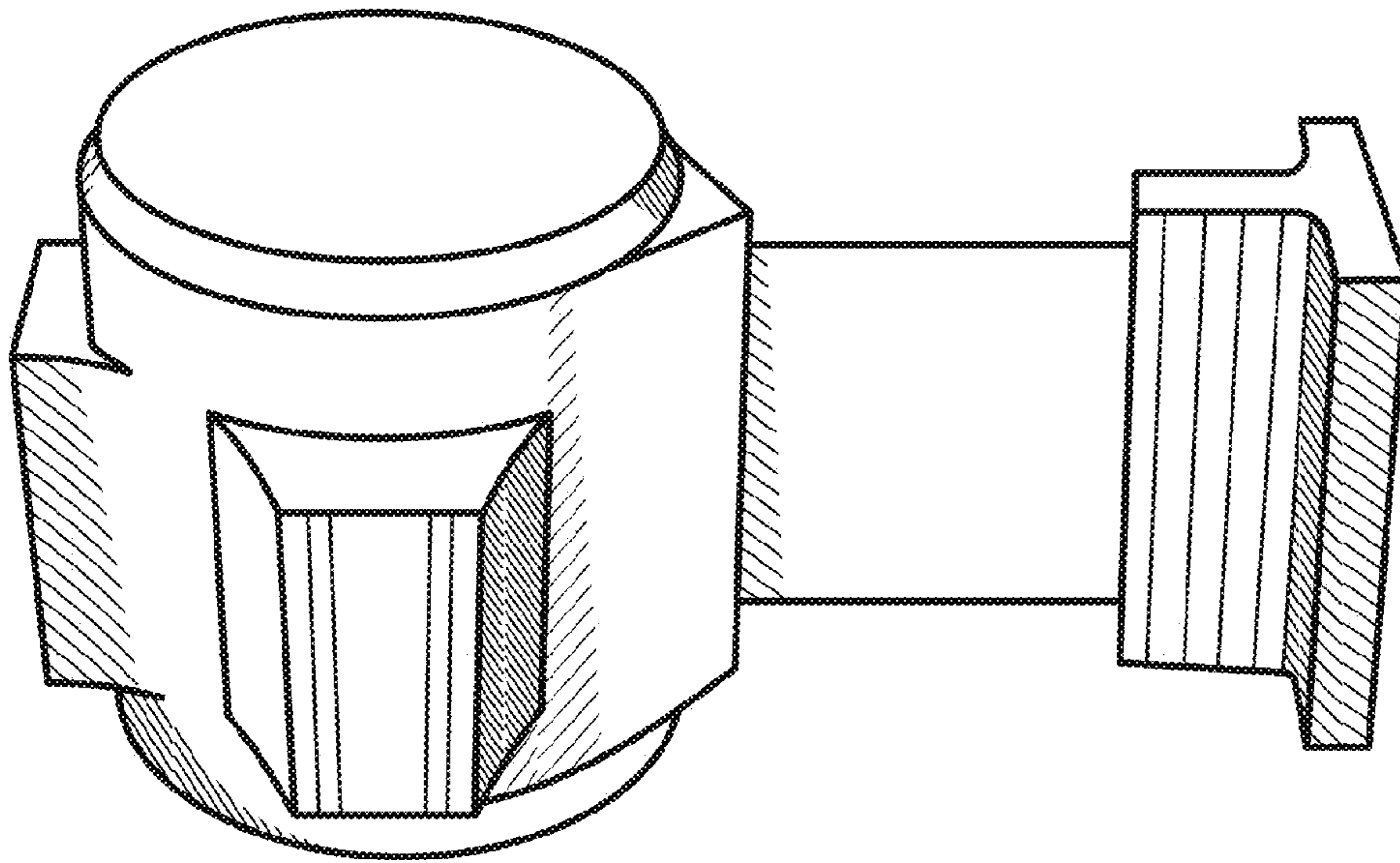


Fig. 1

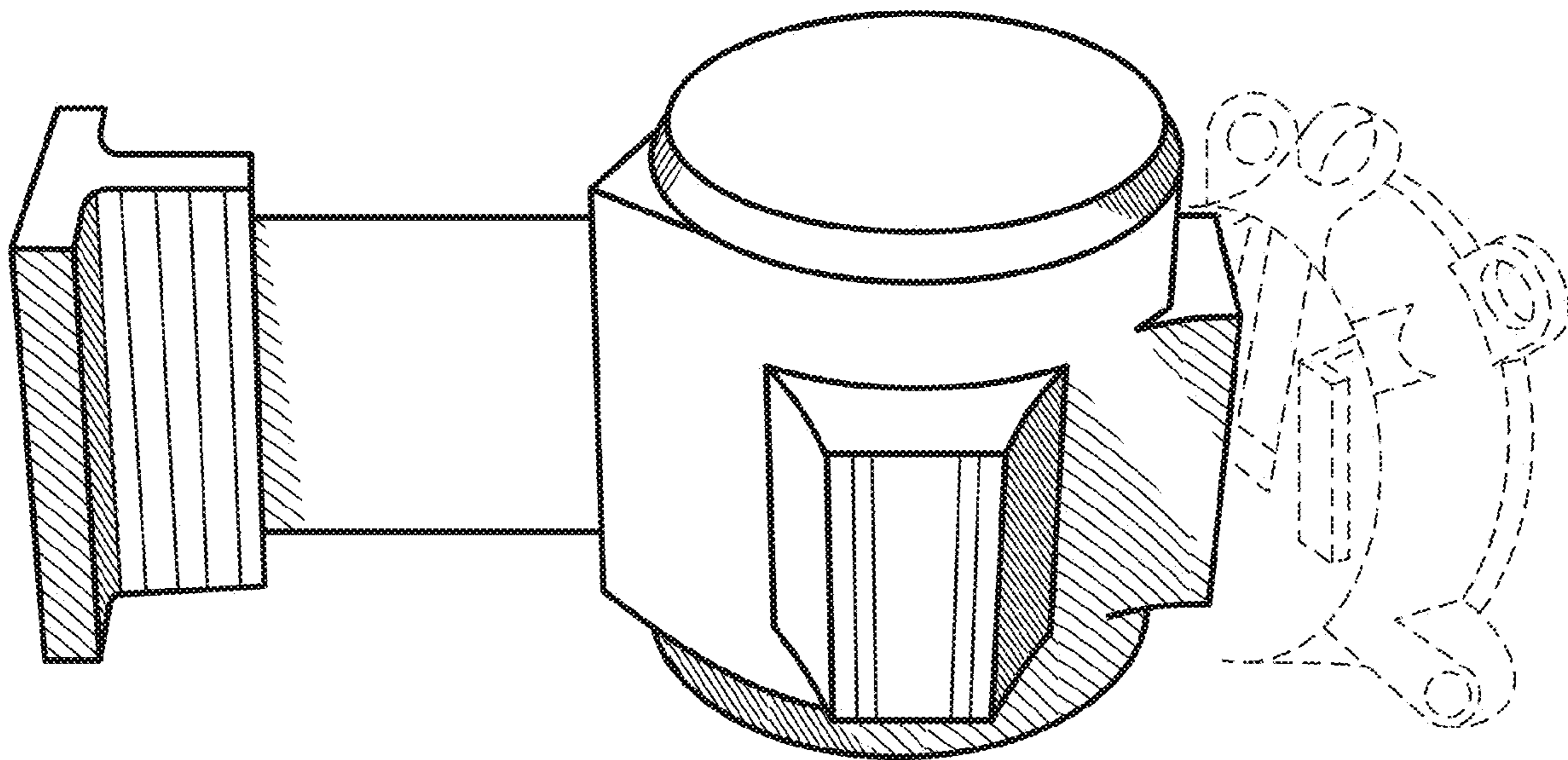


Fig. 2

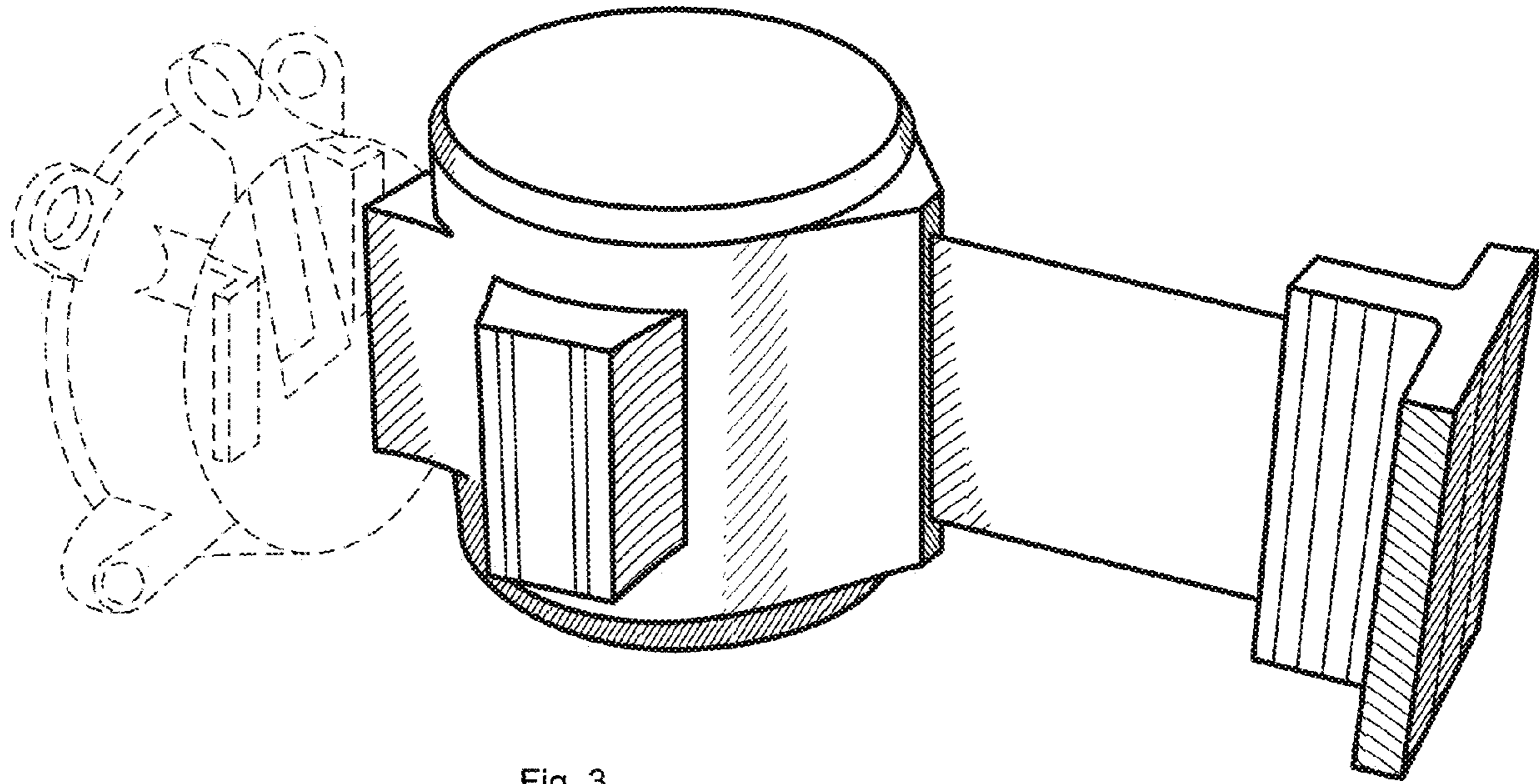


Fig. 3

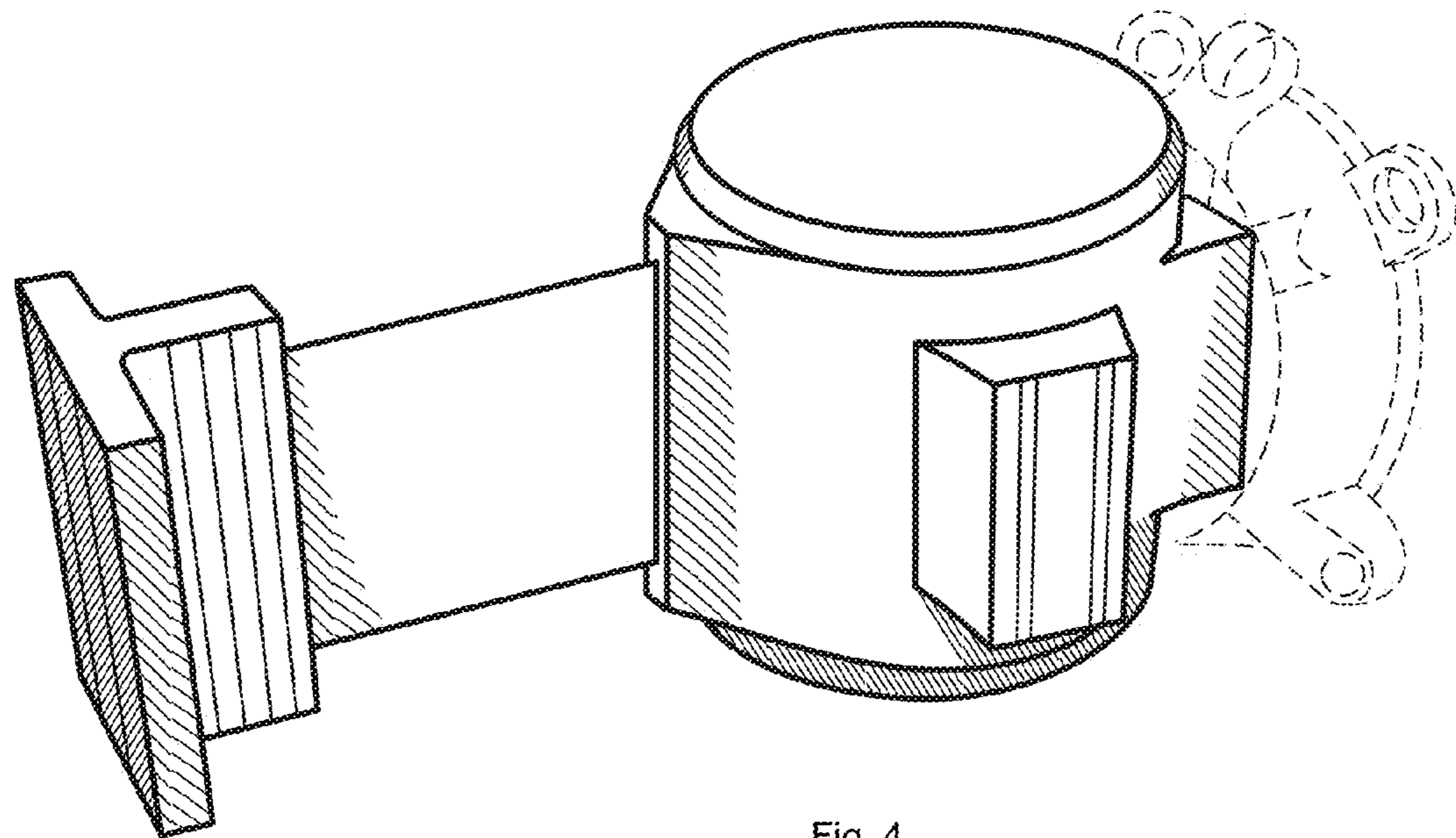


Fig. 4

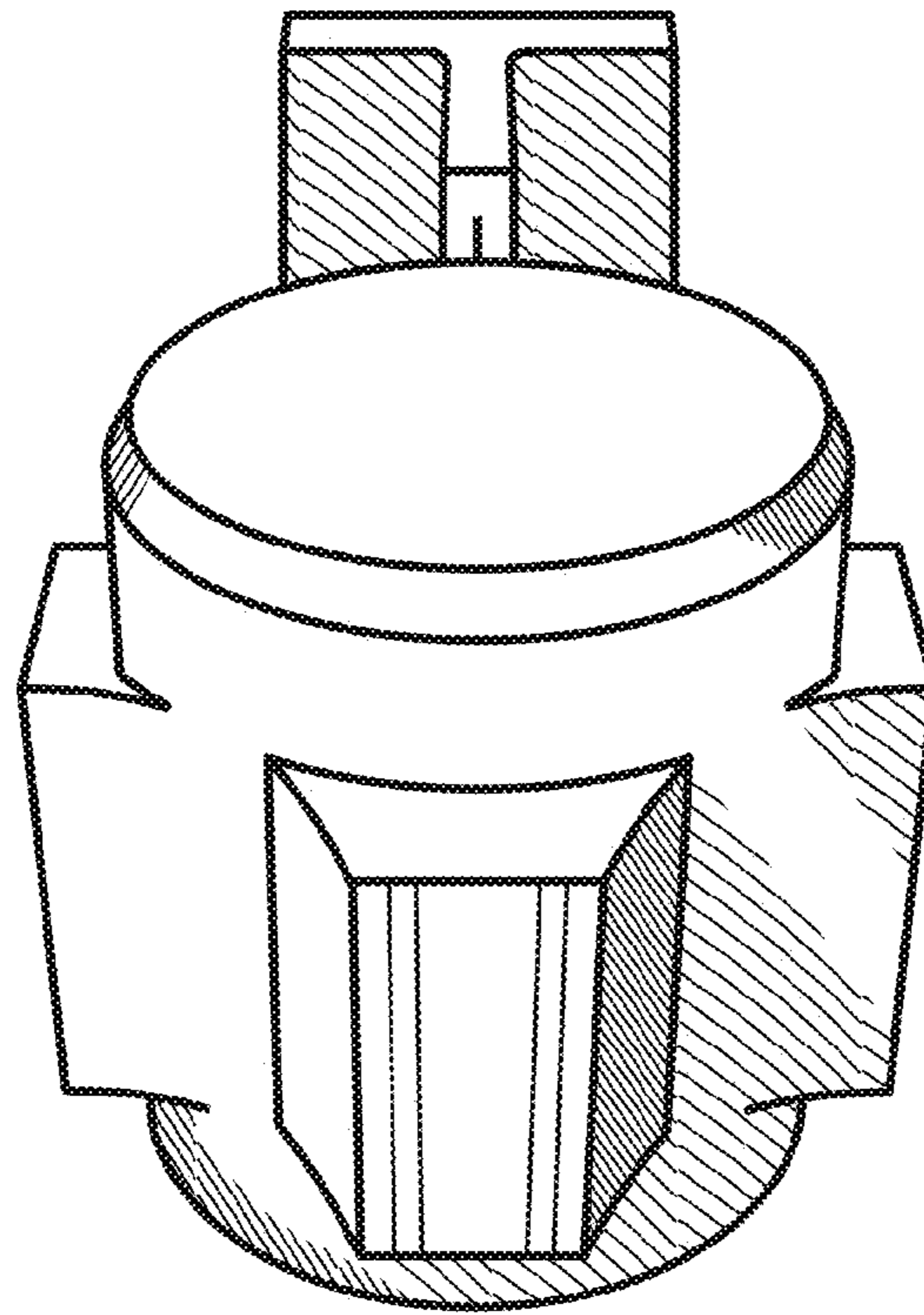


Fig. 5

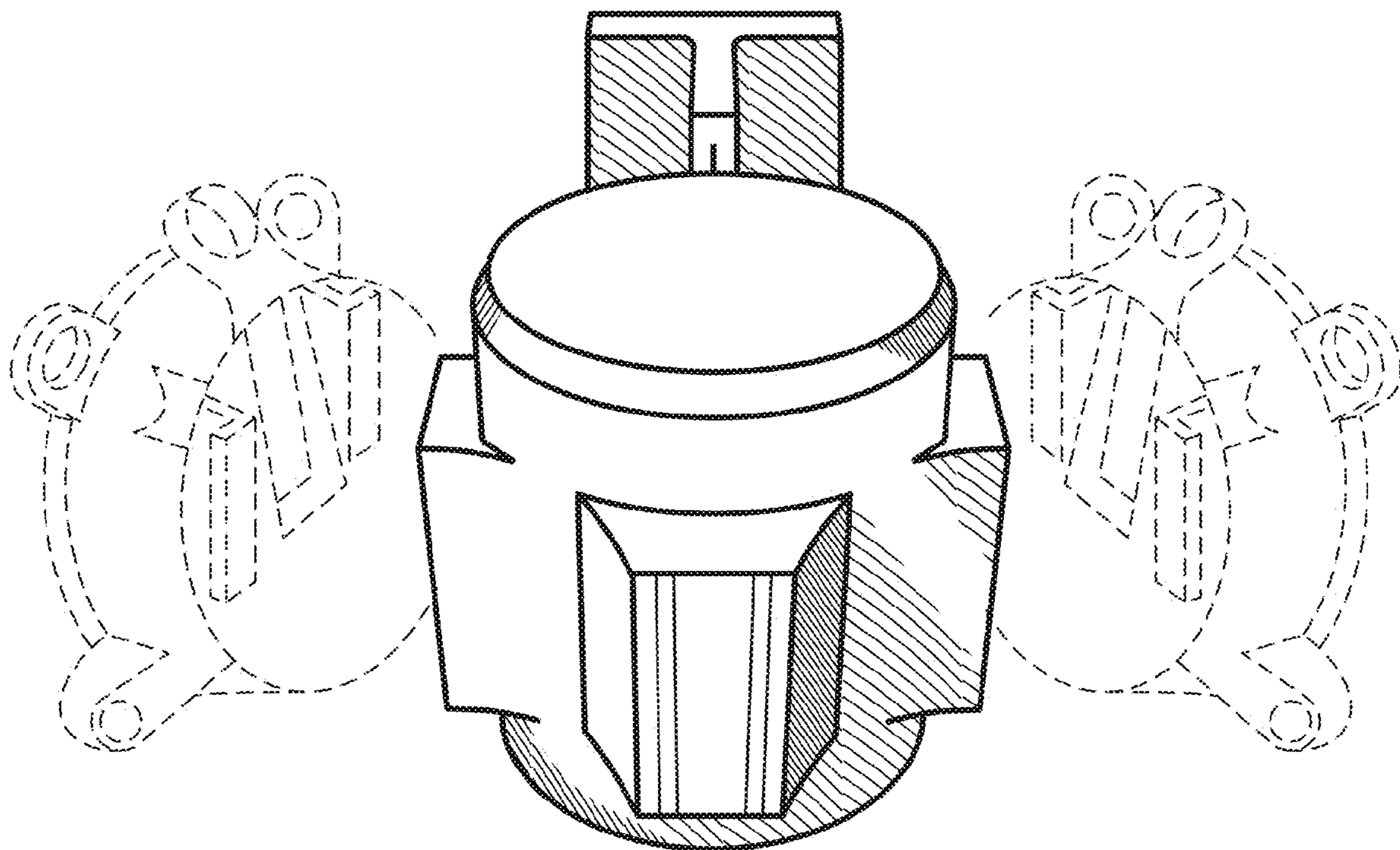


Fig. 6