



US00D894718S

(12) **United States Design Patent** (10) **Patent No.:** **US D894,718 S**
Kramer et al. (45) **Date of Patent:** **** *Sep. 1, 2020**

(54) **SNAP HOOK FASTENER**

(71) Applicant: **Travel Caddy, Inc.**, Elk Grove Village, IL (US)

(72) Inventors: **Jason Michael Kramer**, Greendale, IN (US); **Donald E. Godshaw**, Wilmette, IL (US); **Slobodan S. Zivanovic**, Des Plaines, IL (US)

(73) Assignee: **Travel Caddy, Inc.**, Elk Grove Village, IL (US)

(*) Notice: This patent is subject to a terminal disclaimer.

(**) Term: **15 Years**

(21) Appl. No.: **29/636,446**

(22) Filed: **Feb. 8, 2018**

Related U.S. Application Data

(63) Continuation-in-part of application No. 29/616,988, filed on Sep. 11, 2017.

(51) **LOC (12) Cl.** **09-06**

(52) **U.S. Cl.**
USPC **D8/356**

(58) **Field of Classification Search**
USPC D8/356, 354, 349, 367
(Continued)

(56) **References Cited**

U.S. PATENT DOCUMENTS

D491,049 S * 6/2004 Kung D8/367
D613,584 S * 4/2010 Kelleghan D8/356
(Continued)

Primary Examiner — Cynthia R Underwood
(74) *Attorney, Agent, or Firm* — Nancy R. Gamburd;
Gamburd Law Group LLC

(57) **CLAIM**

The ornamental design for a snap hook fastener, as shown and described.

DESCRIPTION

FIG. 1 is a front isometric view of a first embodiment of a snap hook fastener shown in a closed position.

FIG. 2 is a rear isometric view of the first embodiment of the snap hook fastener shown in the closed position.

FIG. 3 is a front view of the first embodiment of the snap hook fastener shown in the closed position.

FIG. 4 is a rear view of the first embodiment of the snap hook fastener shown in the closed position.

FIG. 5 is a first side view of the first embodiment of the snap hook fastener shown in the closed position.

FIG. 6 is a second side view of the first embodiment of the snap hook fastener.

FIG. 7 is a top view of the first embodiment of the snap hook fastener.

FIG. 8 is a bottom view of the first embodiment of the snap hook fastener.

FIG. 9 is a front isometric view of the second embodiment of a snap hook fastener shown in a closed position.

FIG. 10 is a front view of the second embodiment of the snap hook fastener shown in the closed position.

FIG. 11 is a first side view of the second embodiment of the snap hook fastener shown in the closed position.

FIG. 12 is a rear view of the second embodiment of the snap hook fastener shown in the closed position.

FIG. 13 is a second side view of the second embodiment of the snap hook fastener.

FIG. 14 is a top view of the second embodiment of the snap hook fastener.

FIG. 15 is a bottom view of the second embodiment of the snap hook fastener.

FIG. 16 is a front isometric view of the third embodiment of a snap hook fastener shown in a closed position.

FIG. 17 is a front view of the third embodiment of the snap hook fastener shown in the closed position.

FIG. 18 is a first side view of the third embodiment of the snap hook fastener shown in the closed position.

FIG. 19 is a rear view of the third embodiment of the snap hook fastener shown in the closed position.

(Continued)

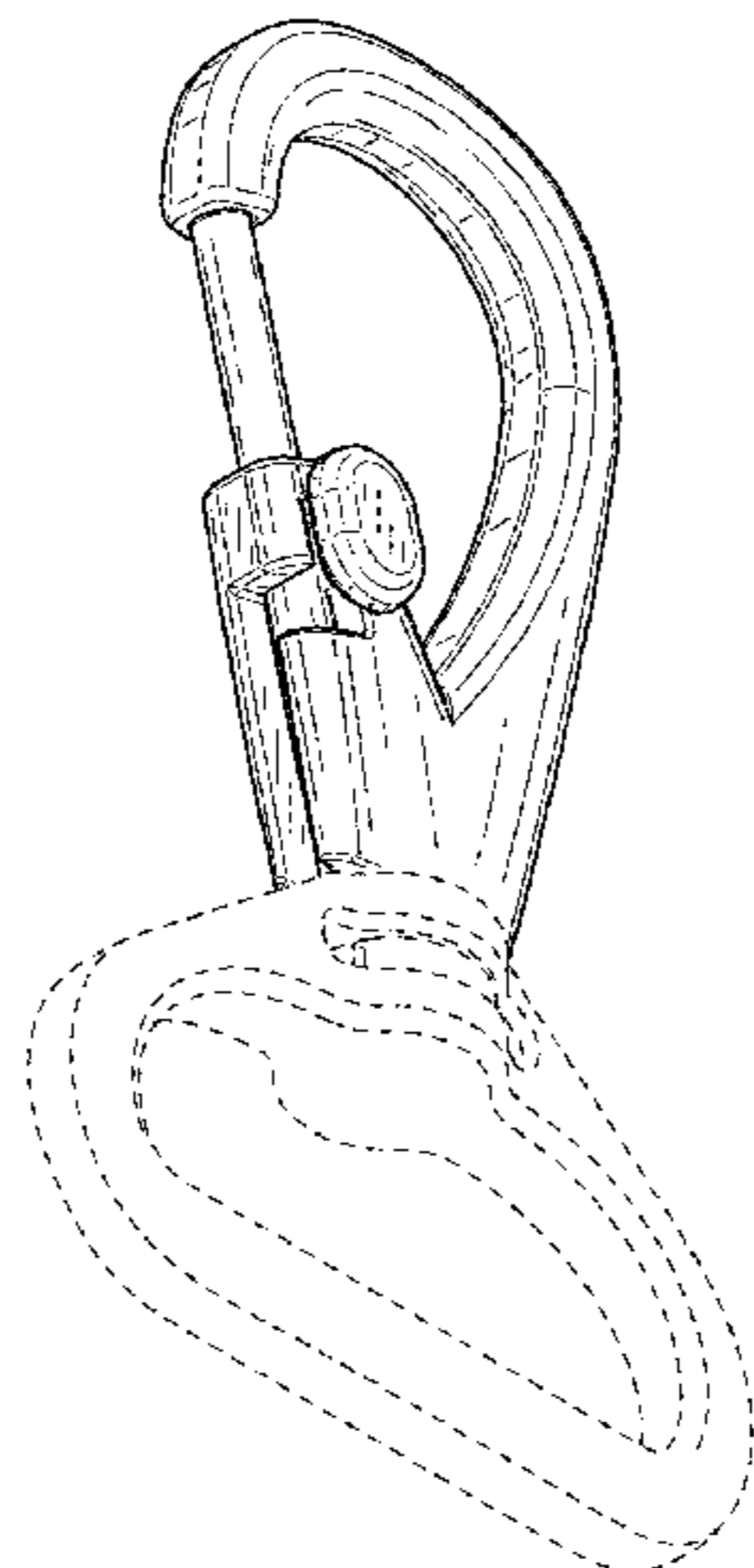


FIG. 20 is a second side view of the third embodiment of the snap hook fastener.

FIG. 21 is a top view of the third embodiment of the snap hook fastener; and,

FIG. 22 is a bottom view of the third embodiment of the snap hook fastener.

The broken lines shown in the Figures (FIGS. 1-22) depict portions of the snap hook fastener which form no part of the claimed design.

1 Claim, 8 Drawing Sheets

(58) Field of Classification Search

CPC B65H 57/16; E02D 5/803; B63B 21/045;
B63B 59/02; B60D 1/18; B60P 1/103;
B60P 7/0823; Y10T 24/3918; A62B
35/0081; H04R 1/1033; A44B 13/0029

See application file for complete search history.

(56) References Cited

U.S. PATENT DOCUMENTS

D665,655	S *	8/2012	Ishii	D8/367
D675,806	S *	2/2013	Caul	D2/500
D740,645	S *	10/2015	Koreishi	D8/367
D785,316	S *	5/2017	Grossman	D3/208
10,060,466	B2 *	8/2018	Kaneko	F16B 45/02
D843,814	S *	3/2019	Cariano	D8/356
D852,609	S *	7/2019	LeBeau	D8/356
2006/0179784	A1 *	8/2006	Chen	F16B 21/00 52/698

* cited by examiner

FIG. 2

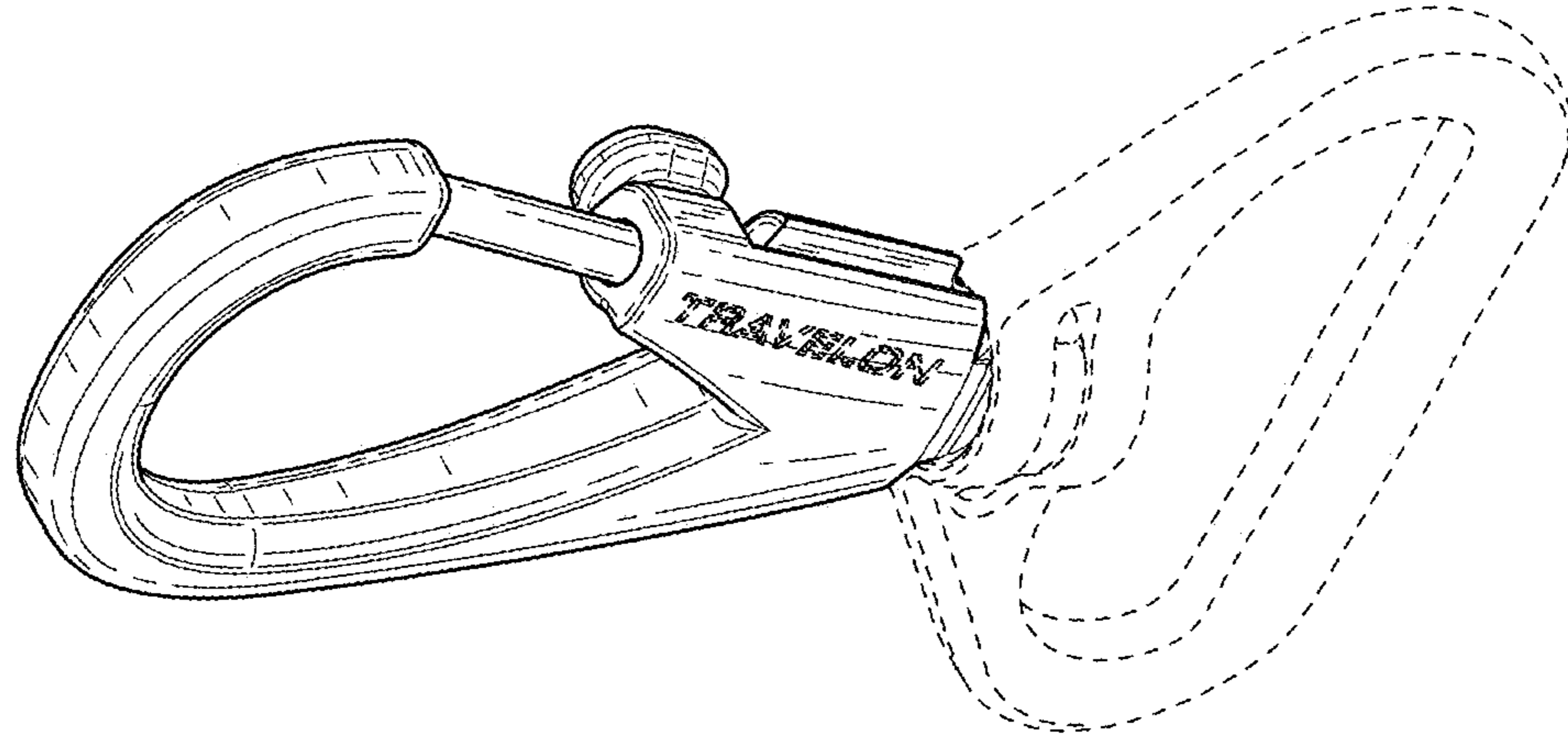


FIG. 1

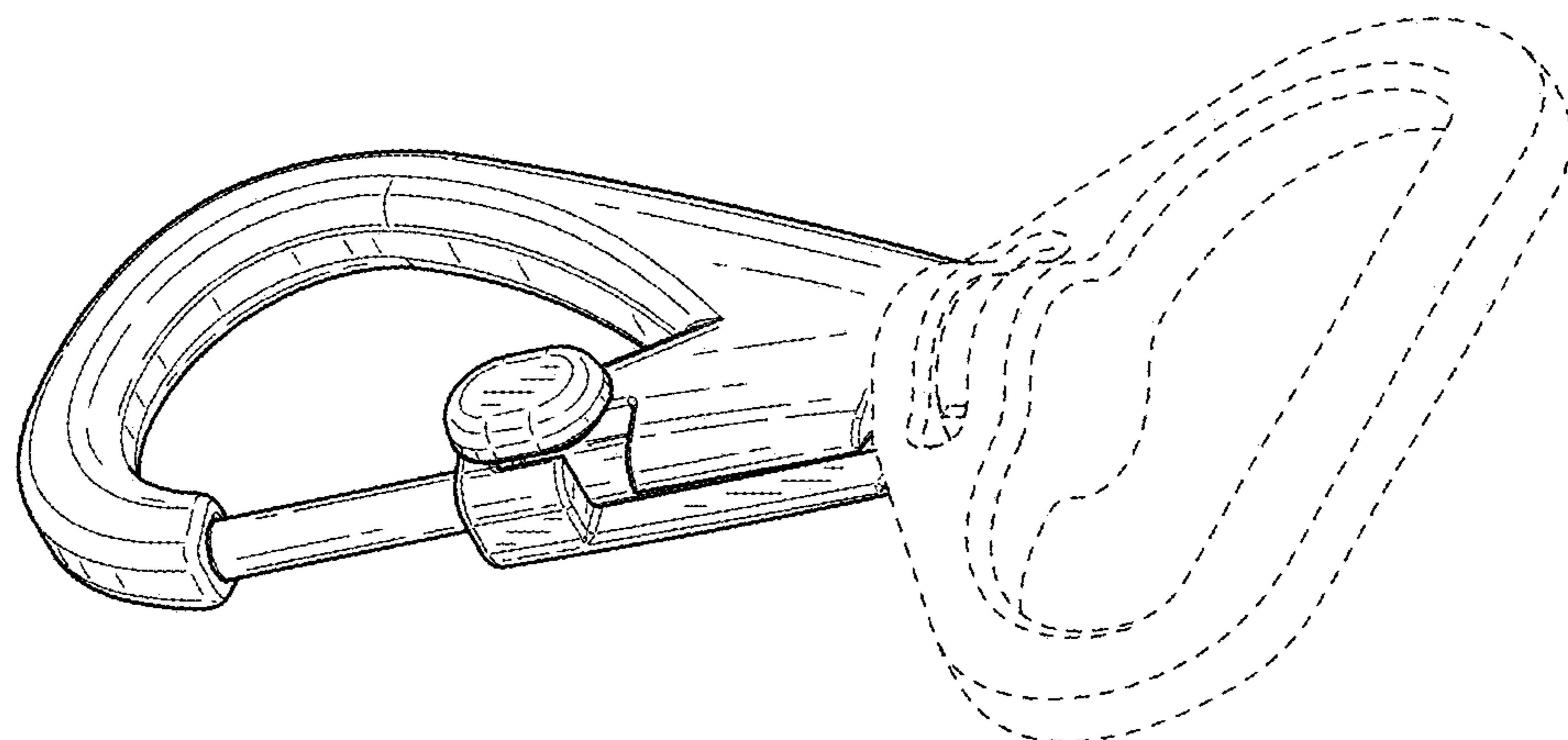


FIG. 4

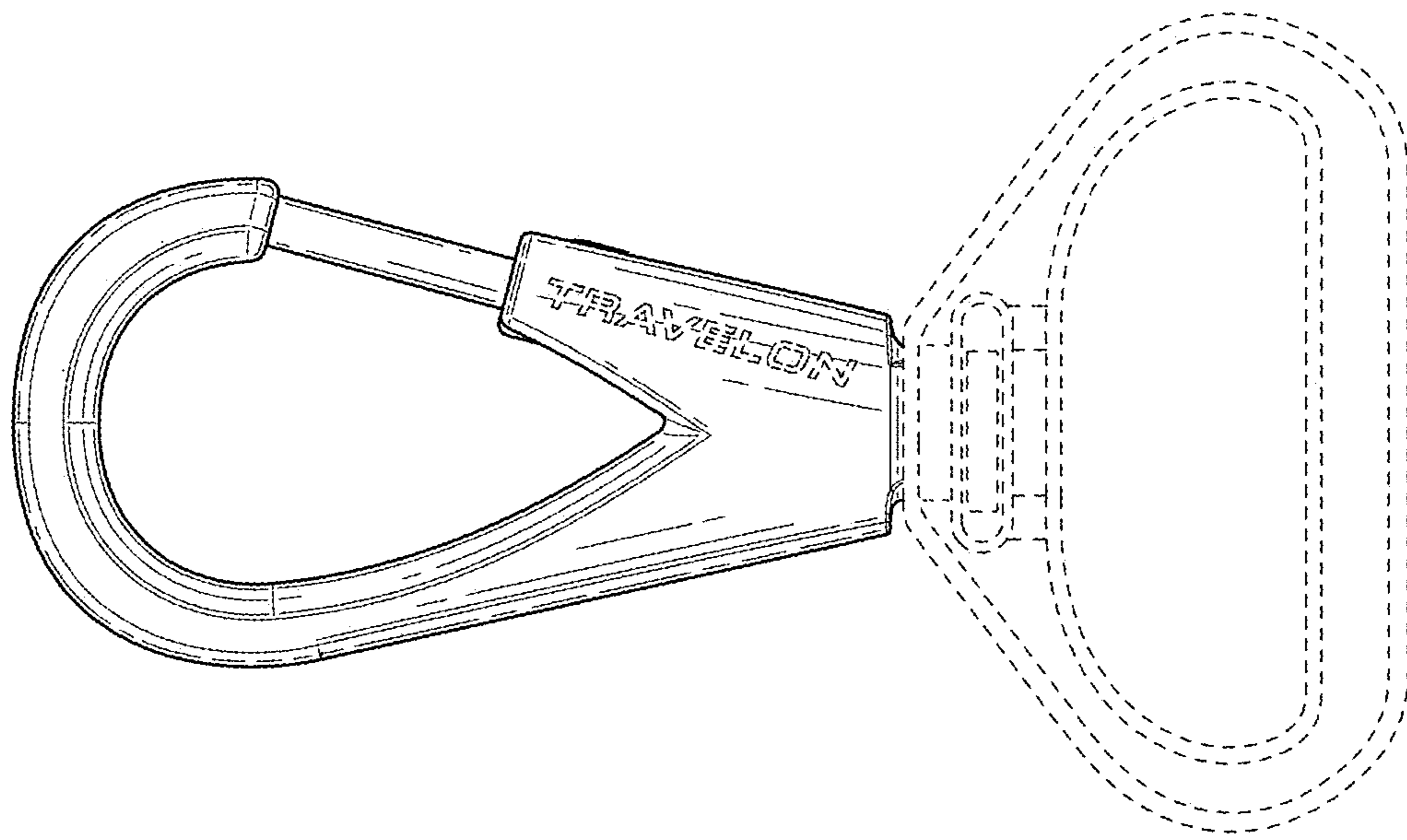


FIG. 3

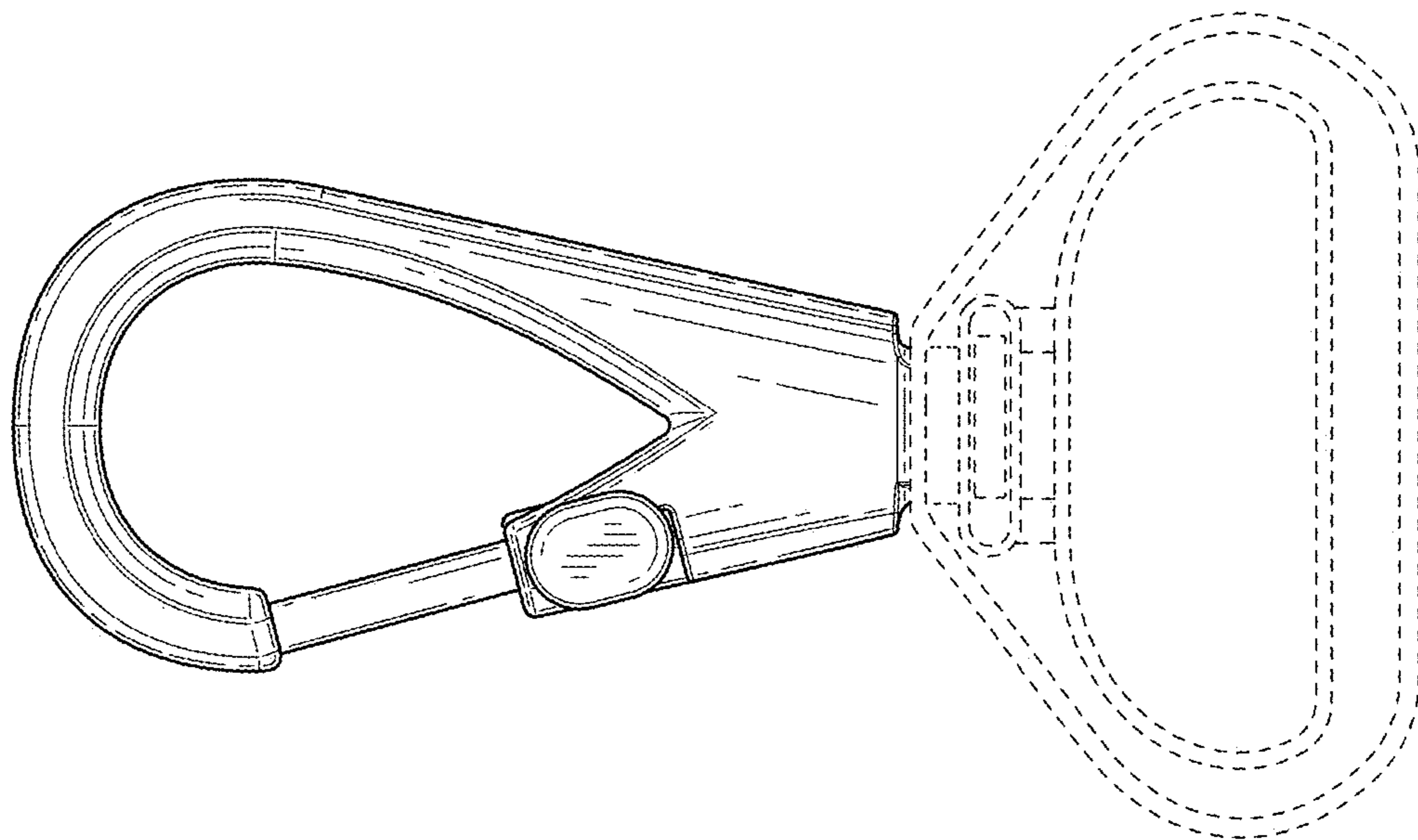


FIG. 5

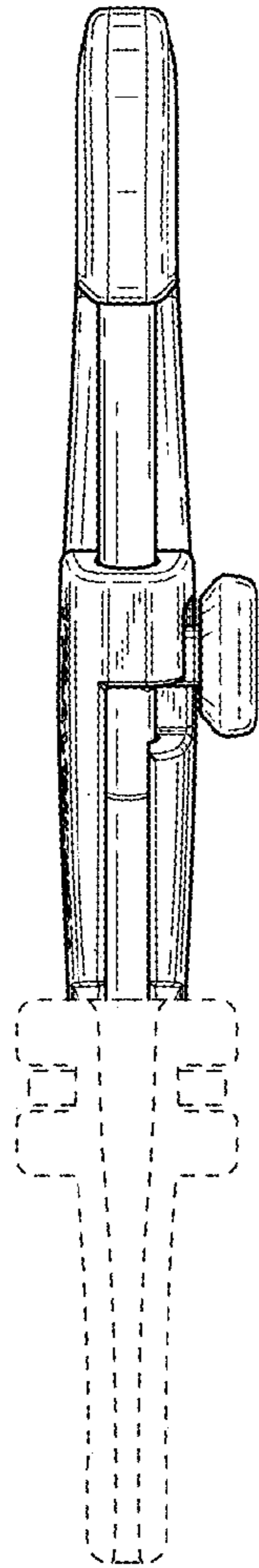


FIG. 6

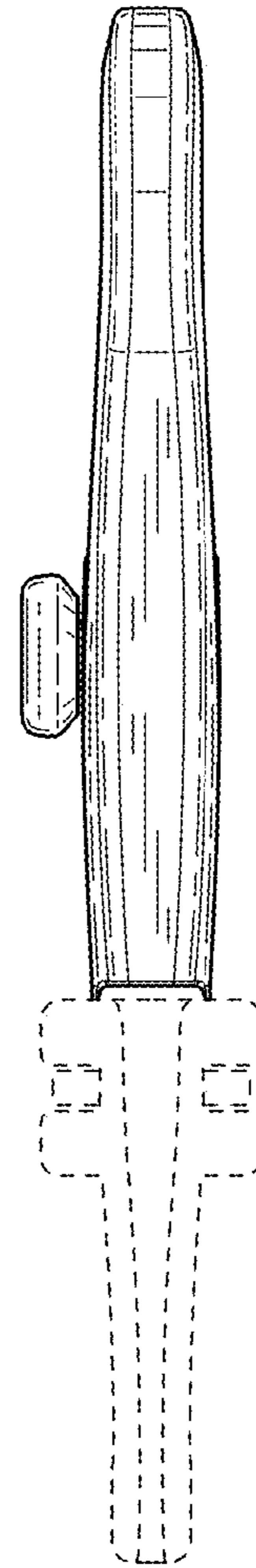


FIG. 7

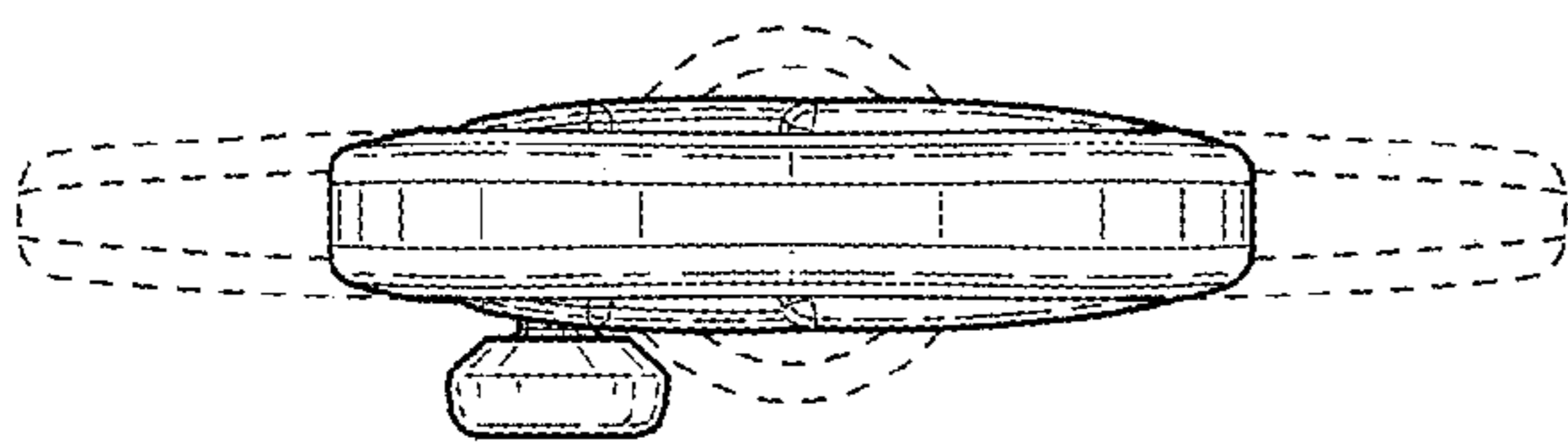


FIG. 8

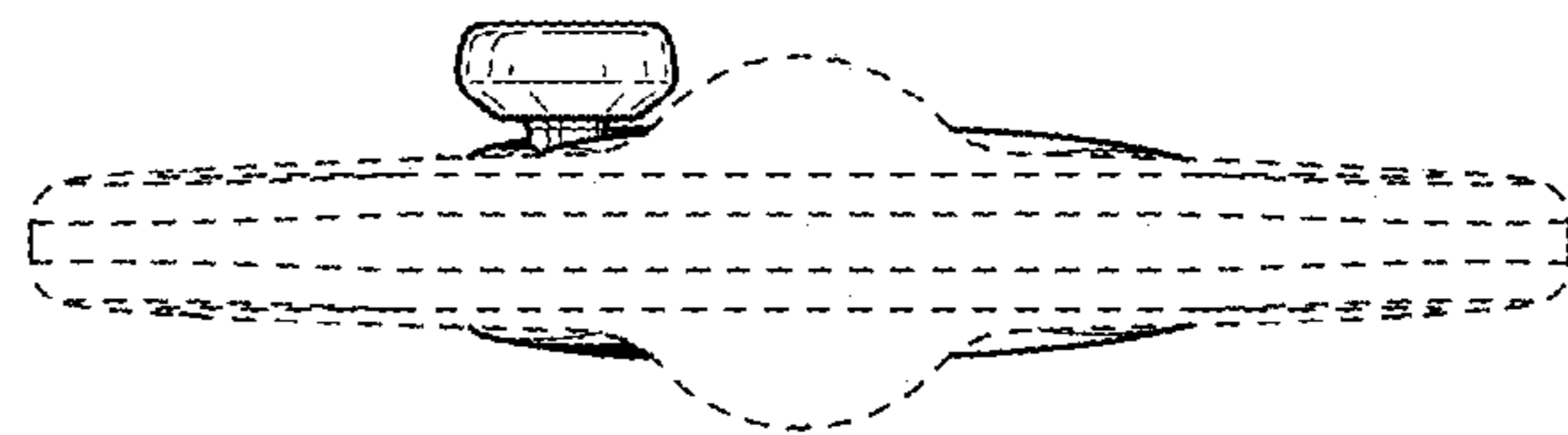


FIG. 10

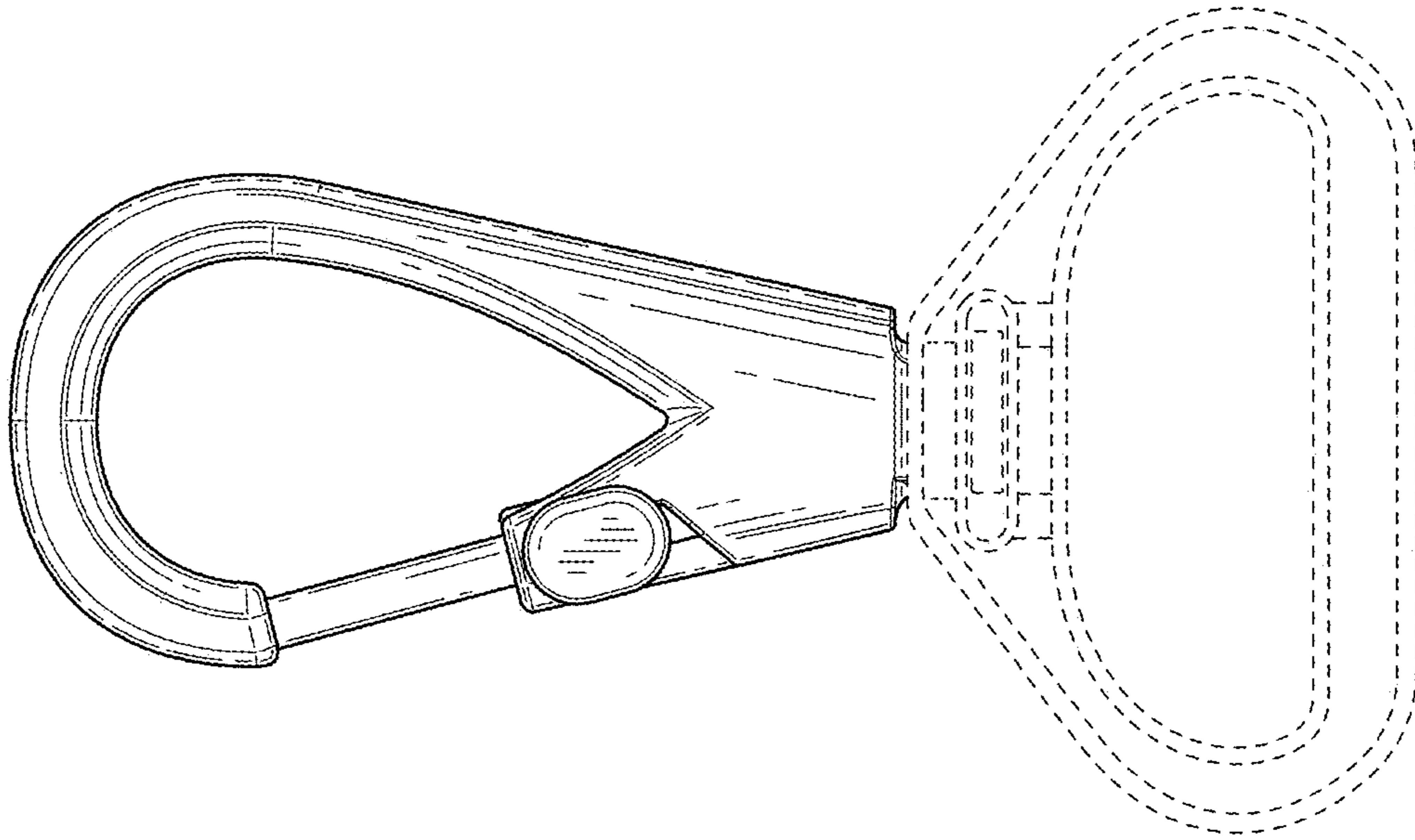


FIG. 9

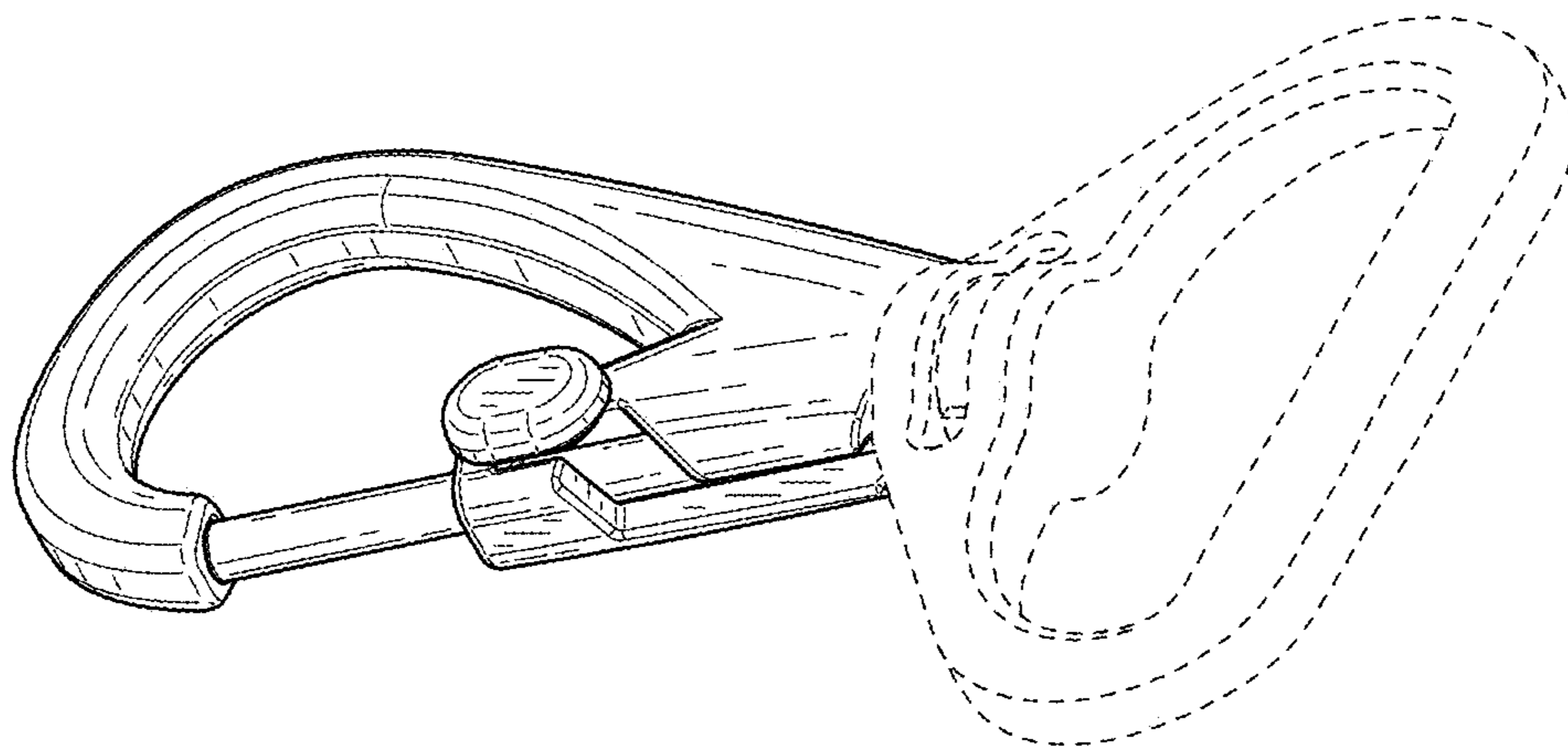


FIG. 12

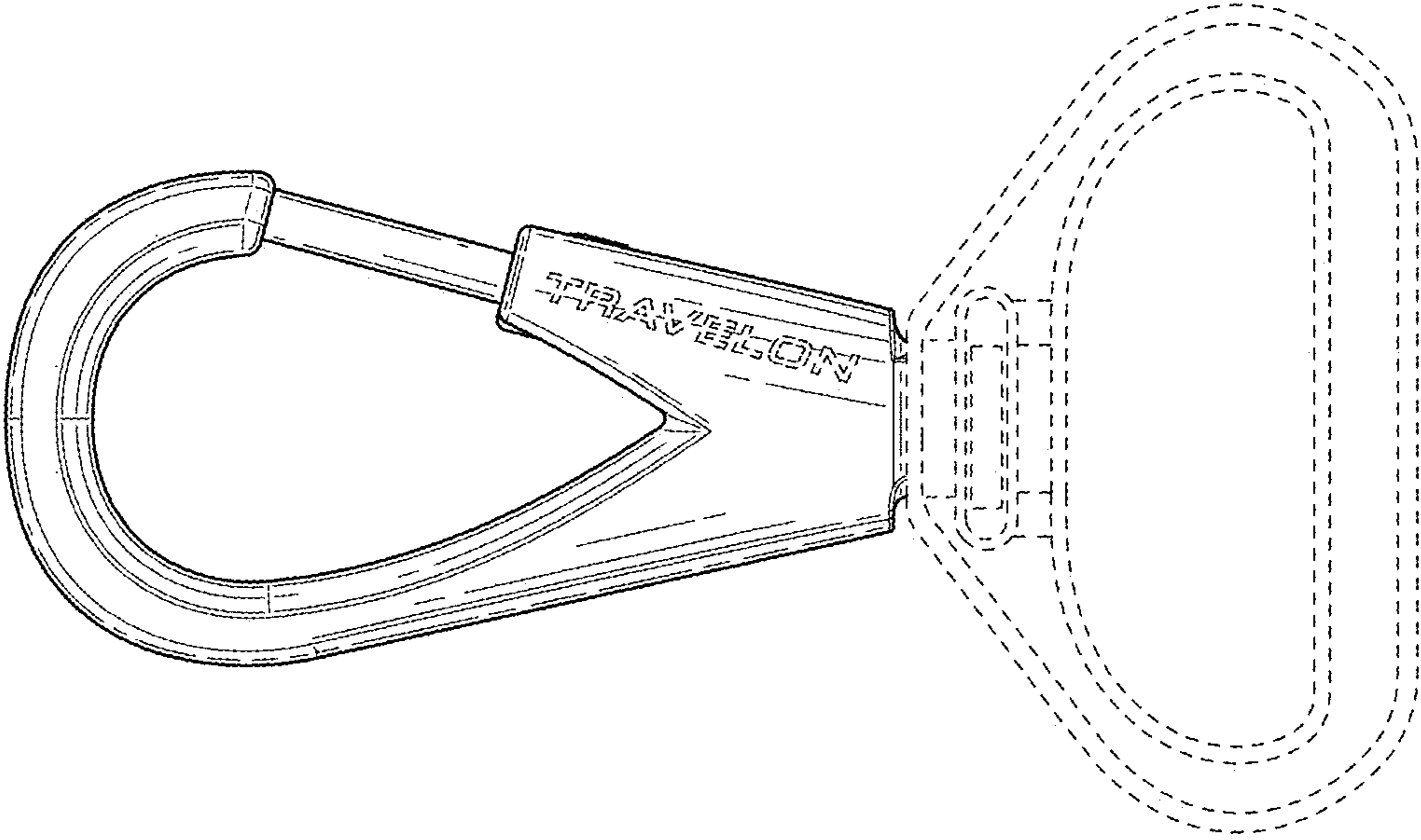


FIG. 11

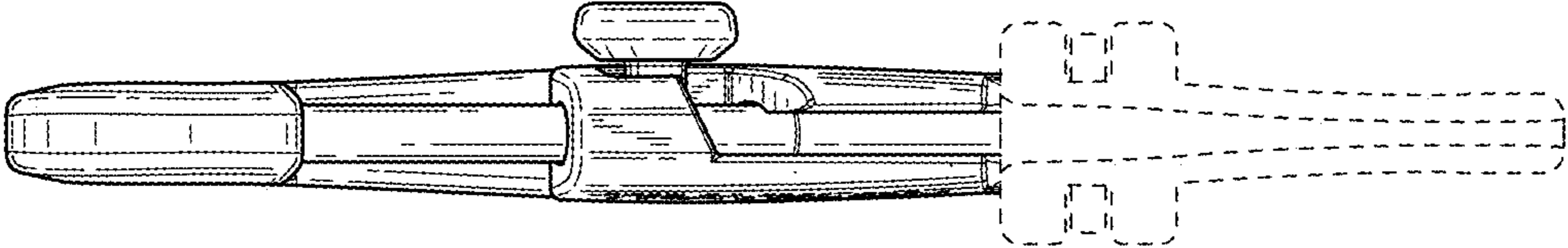


FIG. 13

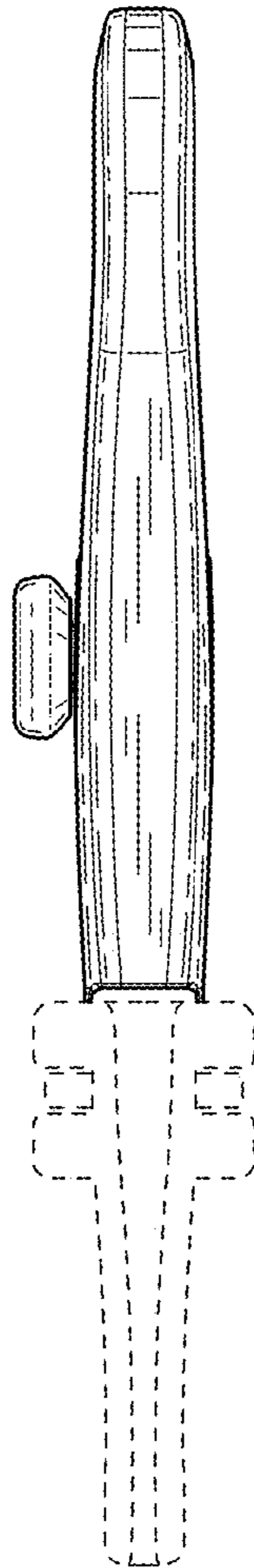


FIG. 14

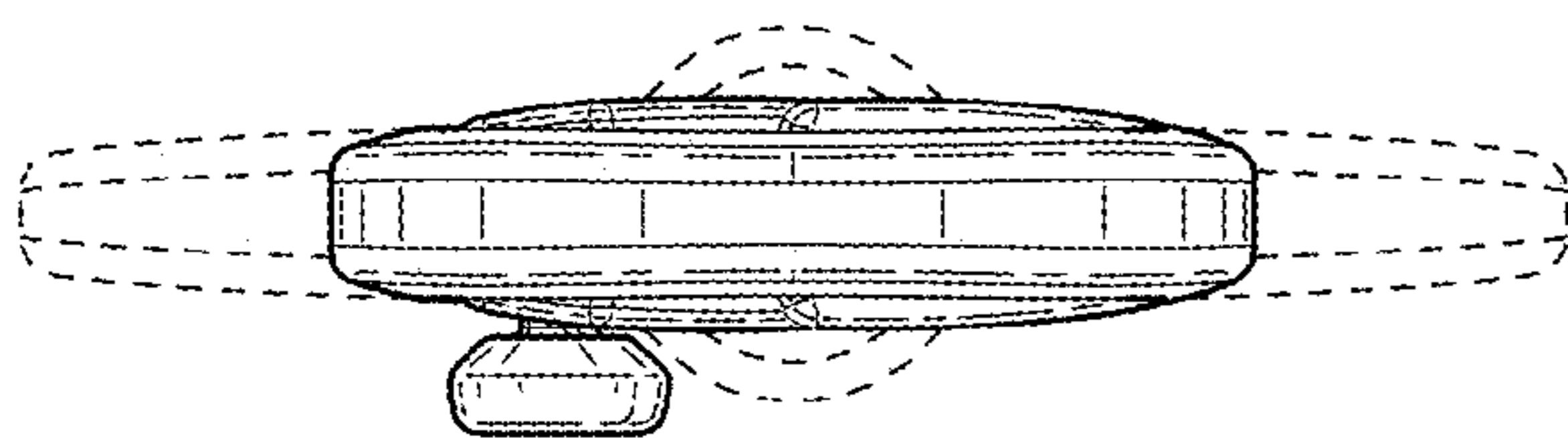


FIG. 15

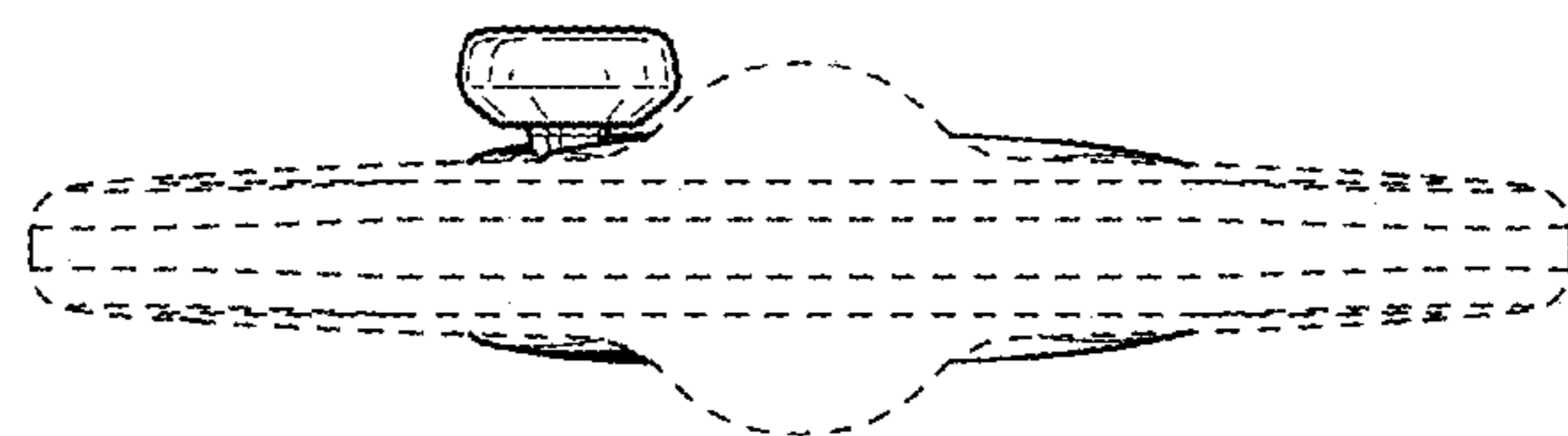


FIG. 18

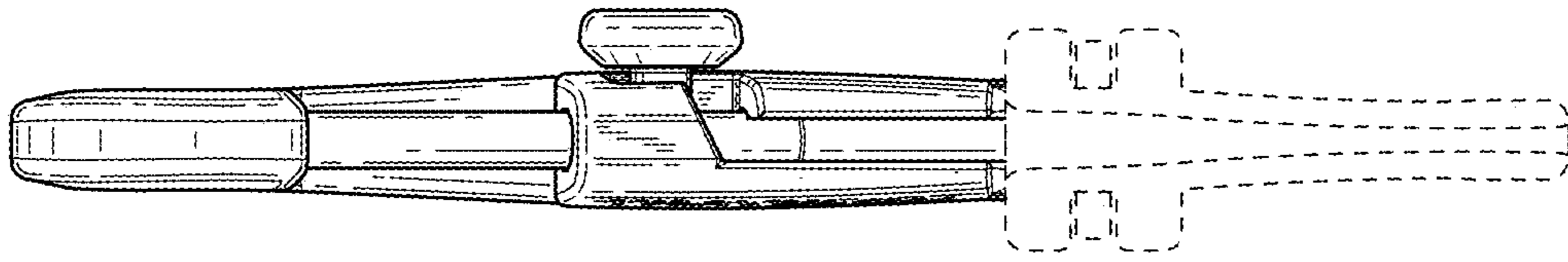


FIG. 17

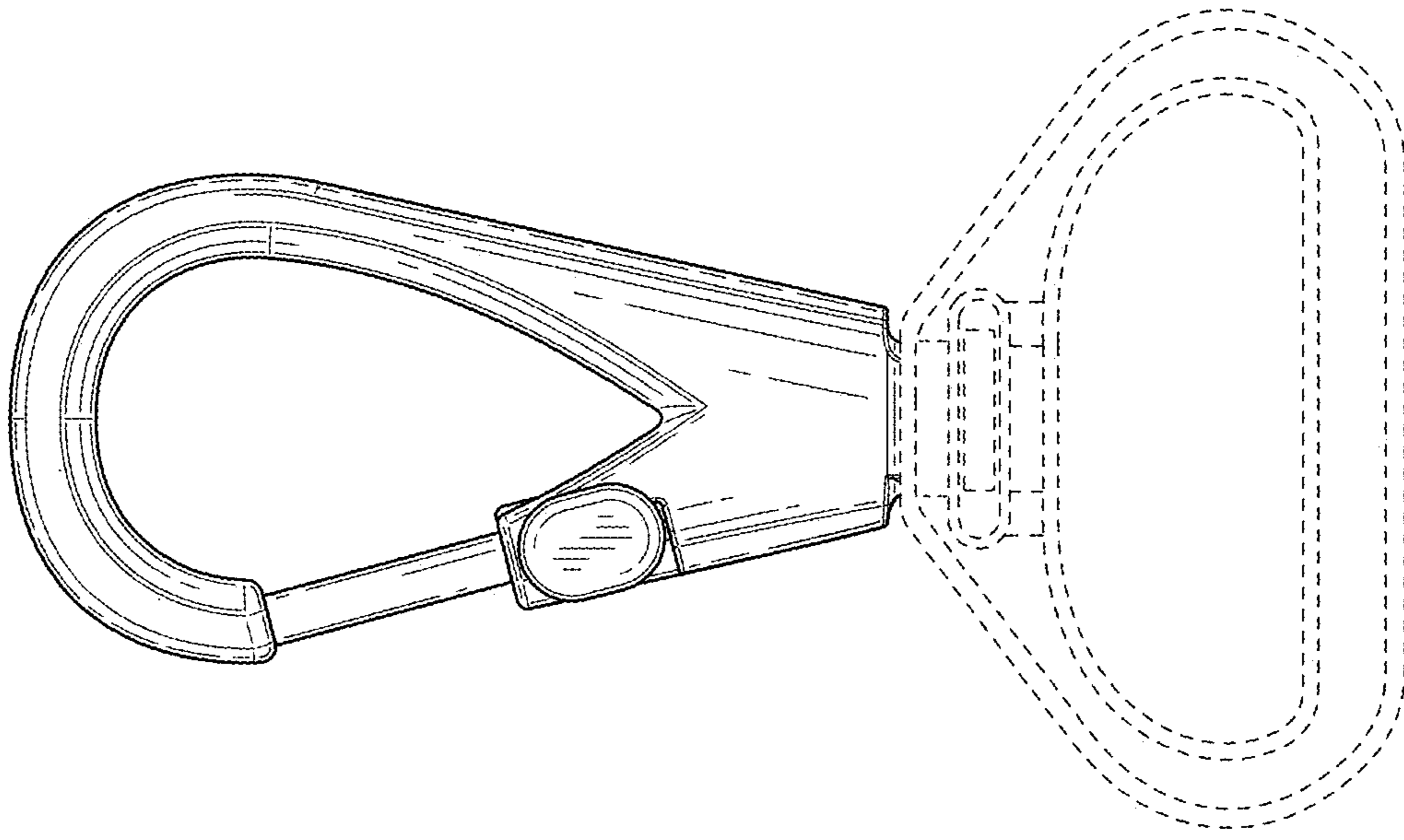


FIG. 16

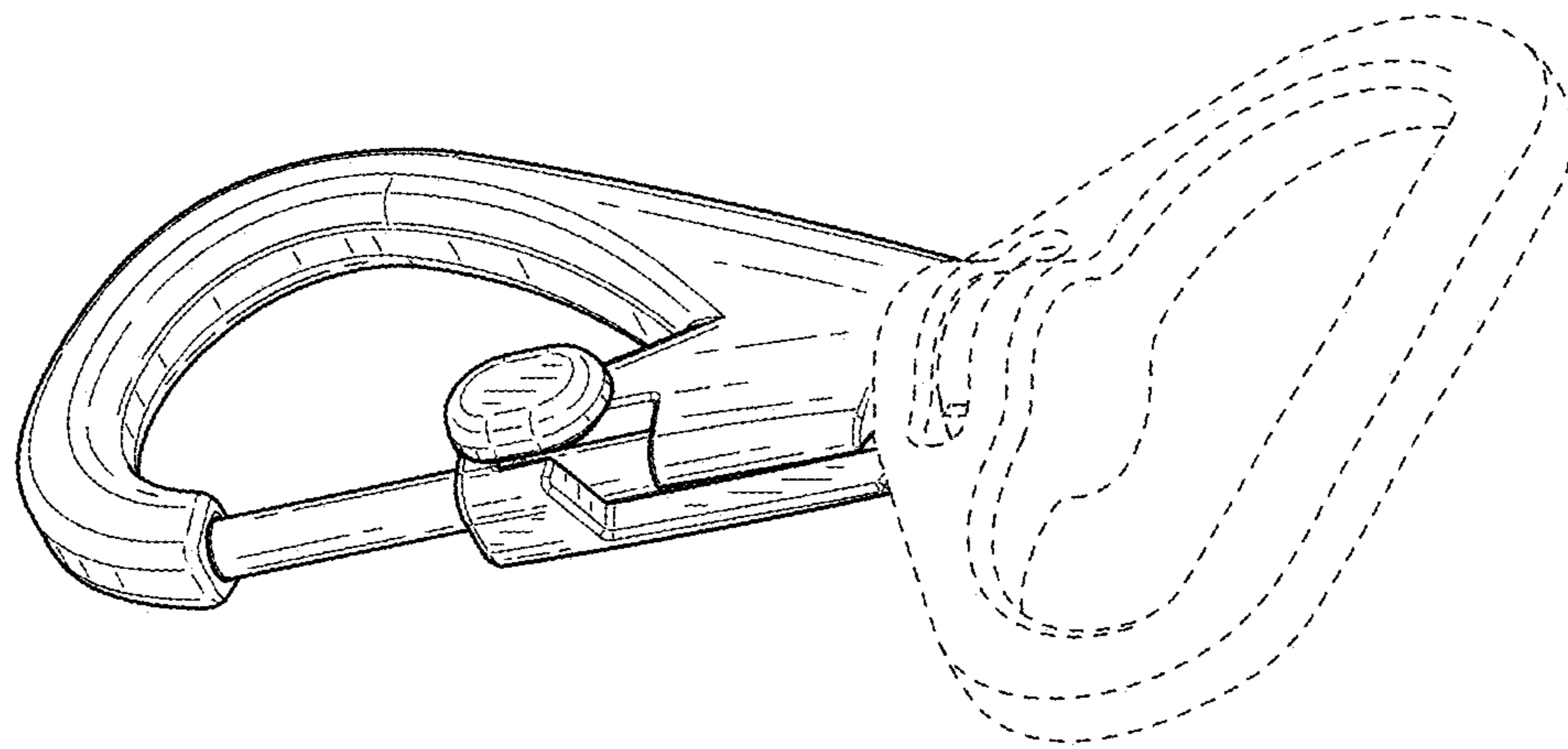


FIG. 19

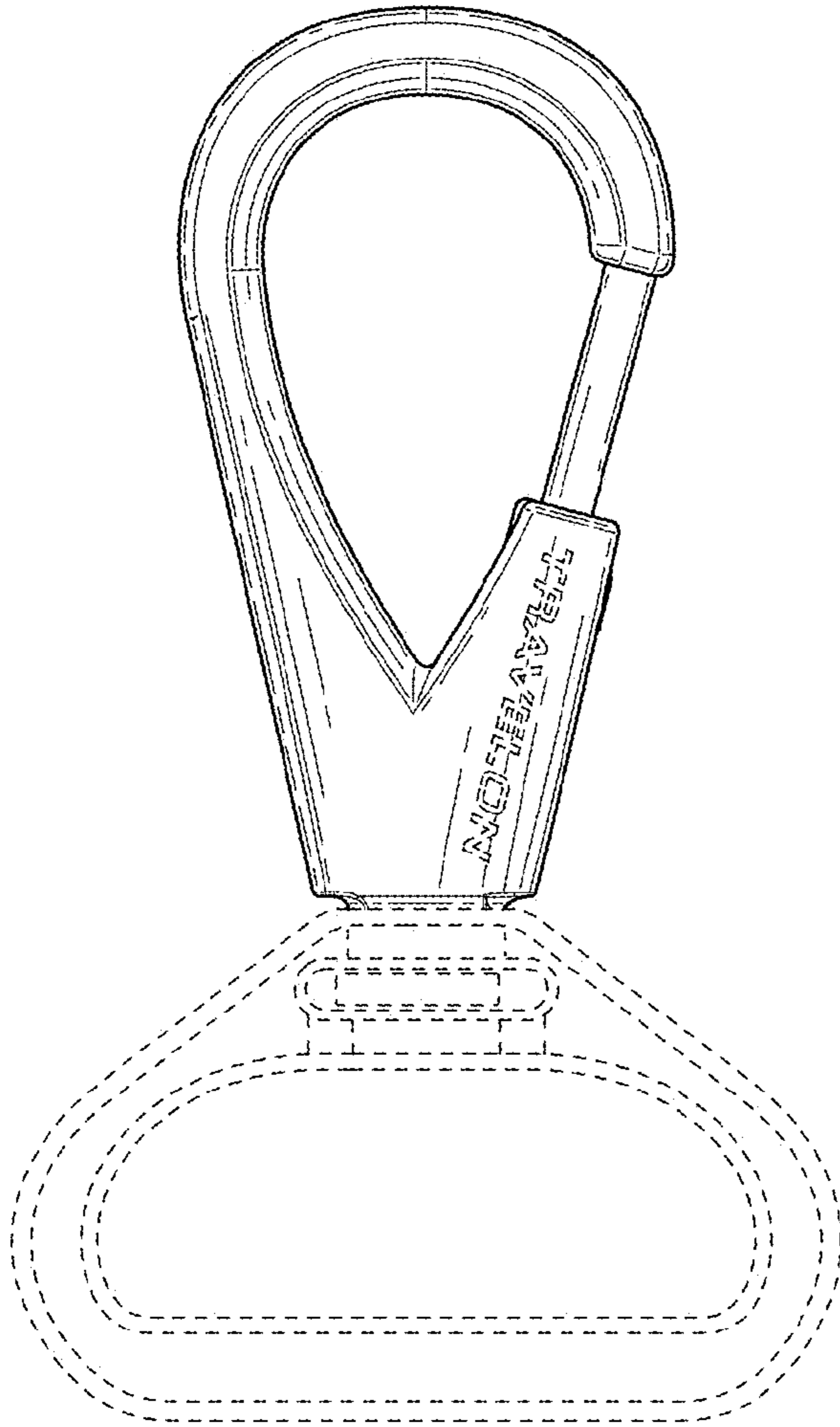


FIG. 20

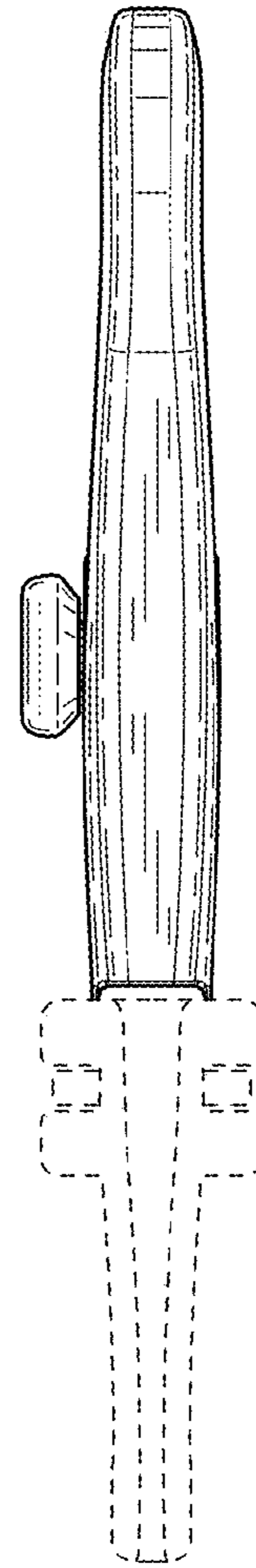


FIG. 21

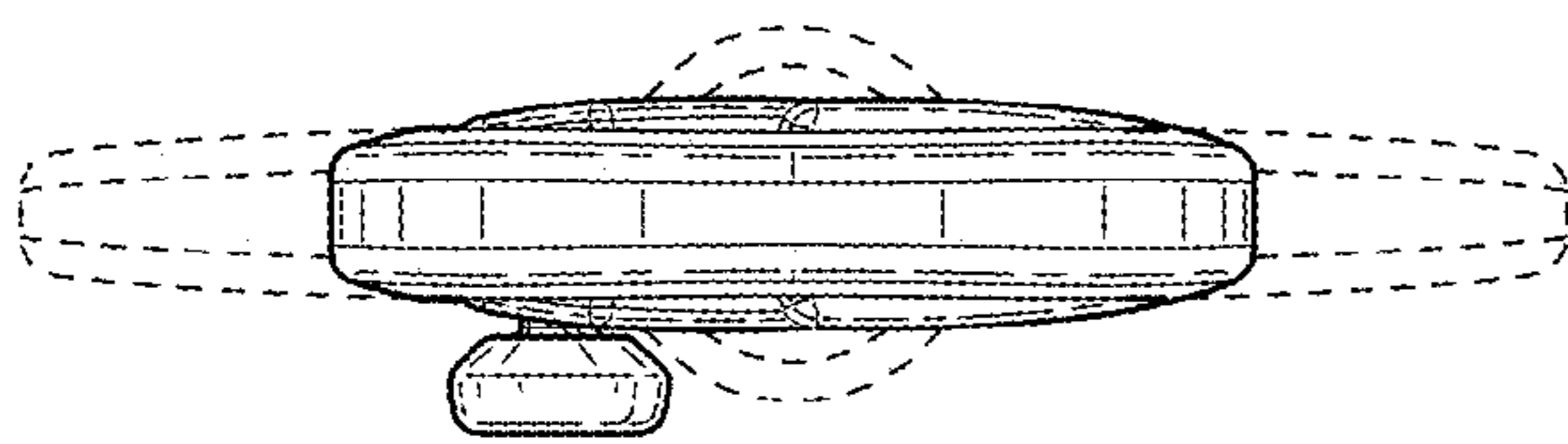


FIG. 22

