

US00D894716S

(12) **United States Design Patent** (10) **Patent No.:** **US D894,716 S**
Gutierrez et al. (45) **Date of Patent:** **** Sep. 1, 2020**

(54) **SWITCH PLATE** 7,554,036 B1 * 6/2009 DeCosta H02G 3/14
174/53
(71) Applicant: **ABB Schweiz AG**, Baden (CH) D633,775 S * 3/2011 Chen D8/352
7,902,458 B2 * 3/2011 Eshelman H02G 3/14
174/66
(72) Inventors: **Adrian Gutierrez**, San Jose, CA (US); D637,890 S * 5/2011 Tschirpke D8/353
Dennis Morrow, San Jose, CA (US) D744,959 S * 12/2015 Farnum D13/156
9,728,947 B2 * 8/2017 Trojanowski H02G 3/14
(73) Assignee: **ABB SCHWEIZ AG**, Baden (CH) 10,090,615 B1 * 10/2018 Yi H02G 3/121
D871,351 S * 12/2019 Lee D13/156
(**) Term: **15 Years** 2008/0179073 A1 * 7/2008 Drane H02G 3/088
174/67
(21) Appl. No.: **29/640,687** 2008/0179087 A1 * 7/2008 De Ambroggi H02G 3/12
174/559
2009/0139742 A1 * 6/2009 Bhosale H02G 3/14
174/58

(Continued)

(51) **LOC (12) Cl.** **11-05**
(52) **U.S. Cl.**
USPC **D8/353**
(58) **Field of Classification Search**
USPC ... D13/138.1, 138.2, 139.1, 139.3, 152, 153,
D13/156, 177; D8/350, 353
CPC H05B 33/0803; H02G 3/10; H02G 3/12;
H02G 3/14; H02G 3/11; H02G 3/123;
H01R 13/717; H01H 9/16; H01H 9/18;
H01H 9/182
See application file for complete search history.

OTHER PUBLICATIONS

U.S. Appl. No. 29/640,343, filed Mar. 14, 2018.

(Continued)

Primary Examiner — Selina Sikder
(74) *Attorney, Agent, or Firm* — Leydig, Voit & Mayer,
Ltd.

(57) **CLAIM**

The ornamental design for a switch plate, as shown and described.

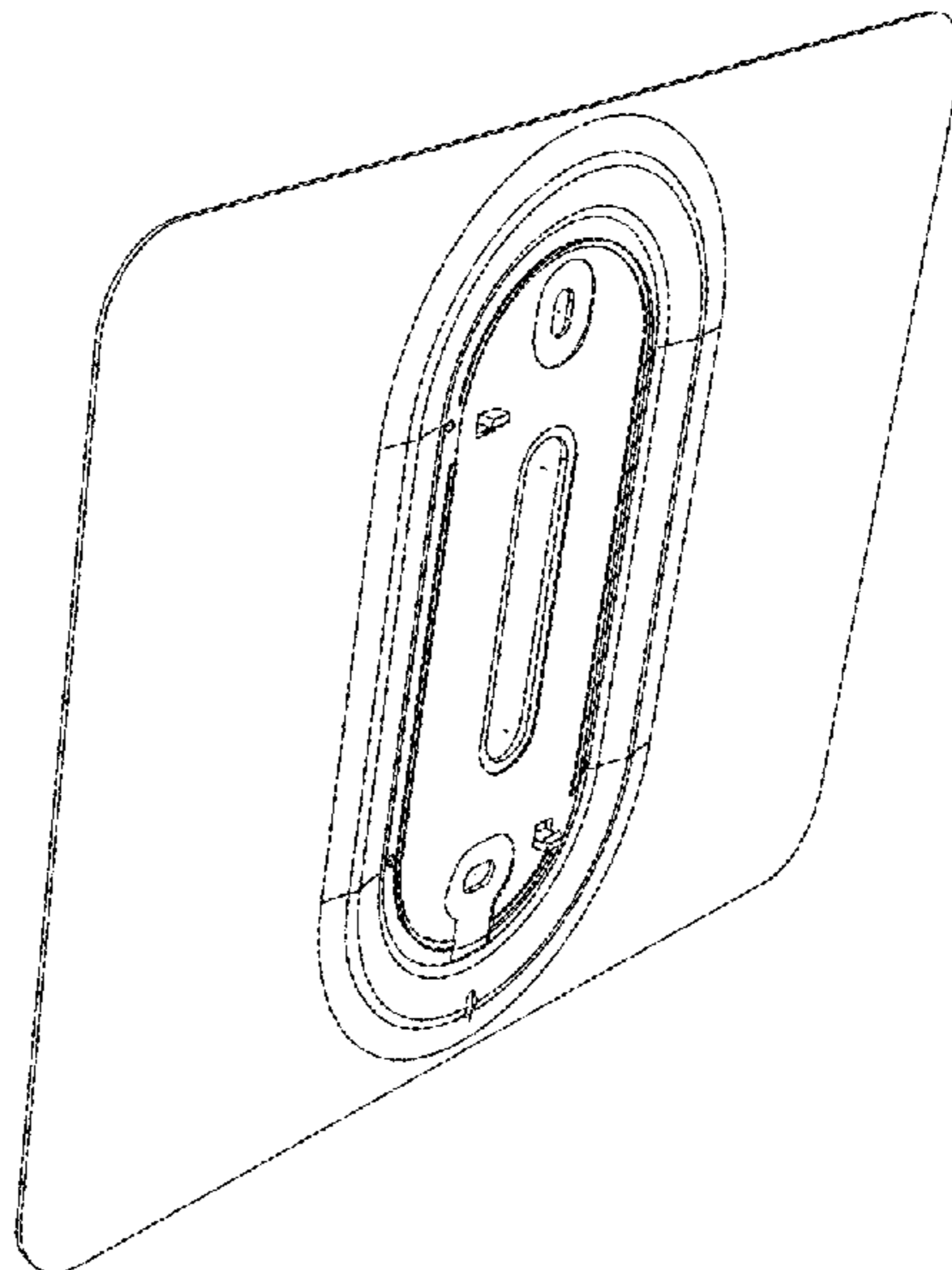
DESCRIPTION

FIG. 1 is a top left front perspective view of the switch plate showing my new design;
FIG. 2 is a front elevational view thereof;
FIG. 3 is a rear elevational view thereof;
FIG. 4 is a left side elevational view thereof;
FIG. 5 is a right side elevational view thereof;
FIG. 6 is a top plan view thereof; and,
FIG. 7 is a bottom plan view thereof.

1 Claim, 7 Drawing Sheets

(56) **References Cited**
U.S. PATENT DOCUMENTS

5,041,698 A * 8/1991 Takagi H02G 3/14
174/66
D476,549 S * 7/2003 Shaw D8/350
6,833,505 B1 * 12/2004 Macchietto H02G 3/14
174/38
D508,393 S * 8/2005 Gao D8/352
D522,353 S * 6/2006 Wengrower D8/352
7,075,009 B1 * 7/2006 Rohmer H02G 3/14
174/66
7,112,744 B1 * 9/2006 DeCosta H02G 3/14
174/135
D564,861 S * 3/2008 Lemaire D8/353
D571,734 S * 6/2008 Takach D13/156



(56)

References Cited

U.S. PATENT DOCUMENTS

2013/0042539 A1* 2/2013 Burns E04B 1/38
52/27
2013/0277086 A1* 10/2013 Rohmer H01H 13/22
174/51
2014/0217250 A1* 8/2014 Huynh A47G 29/10
248/205.3
2015/0236486 A1* 8/2015 Dinh H02G 3/14
174/50
2017/0273203 A1* 9/2017 Iaconis H02G 3/14
2018/0059694 A1* 3/2018 Rezny H05K 5/0017
2019/0069419 A1* 2/2019 Li G01R 15/183

OTHER PUBLICATIONS

U.S. Appl. No. 29/640,345, filed Mar. 14, 2018.
U.S. Appl. No. 29/640,349, filed Mar. 14, 2018.
U.S. Appl. No. 29/640,354, filed Mar. 14, 2018.
U.S. Appl. No. 29/640,356, filed Mar. 14, 2018.
U.S. Appl. No. 29/640,359, filed Mar. 14, 2018.

* cited by examiner

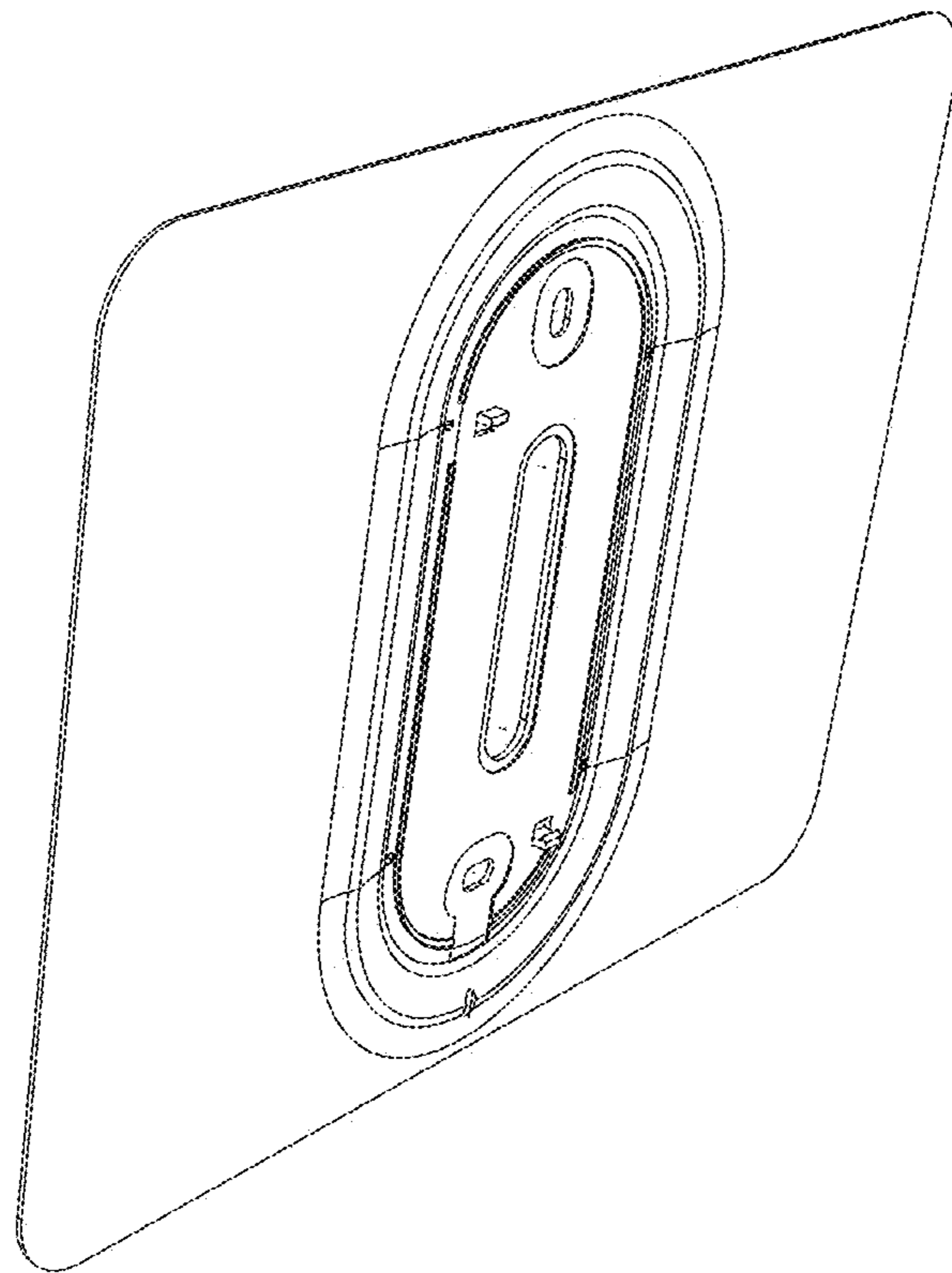


FIG. 1

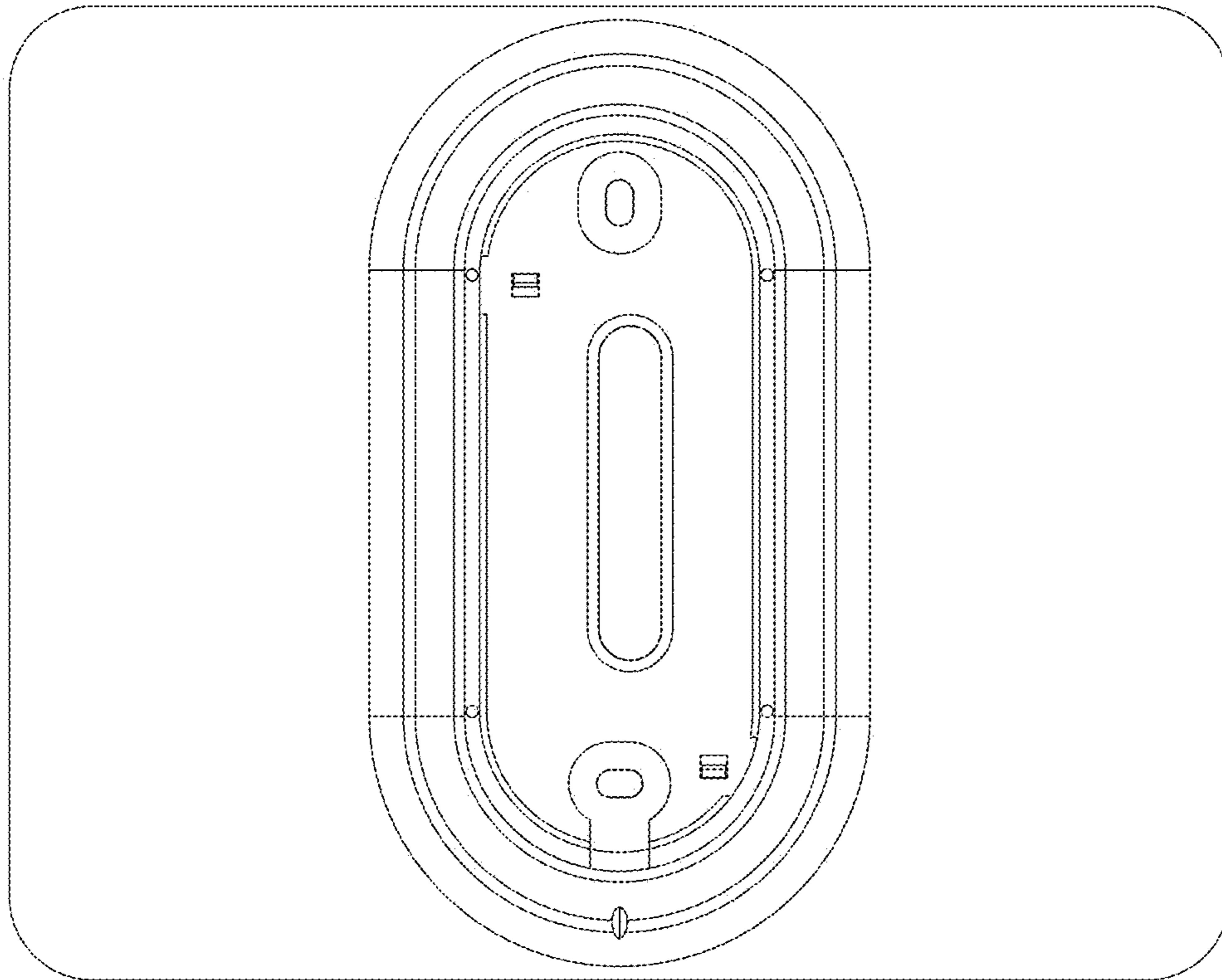


FIG. 2

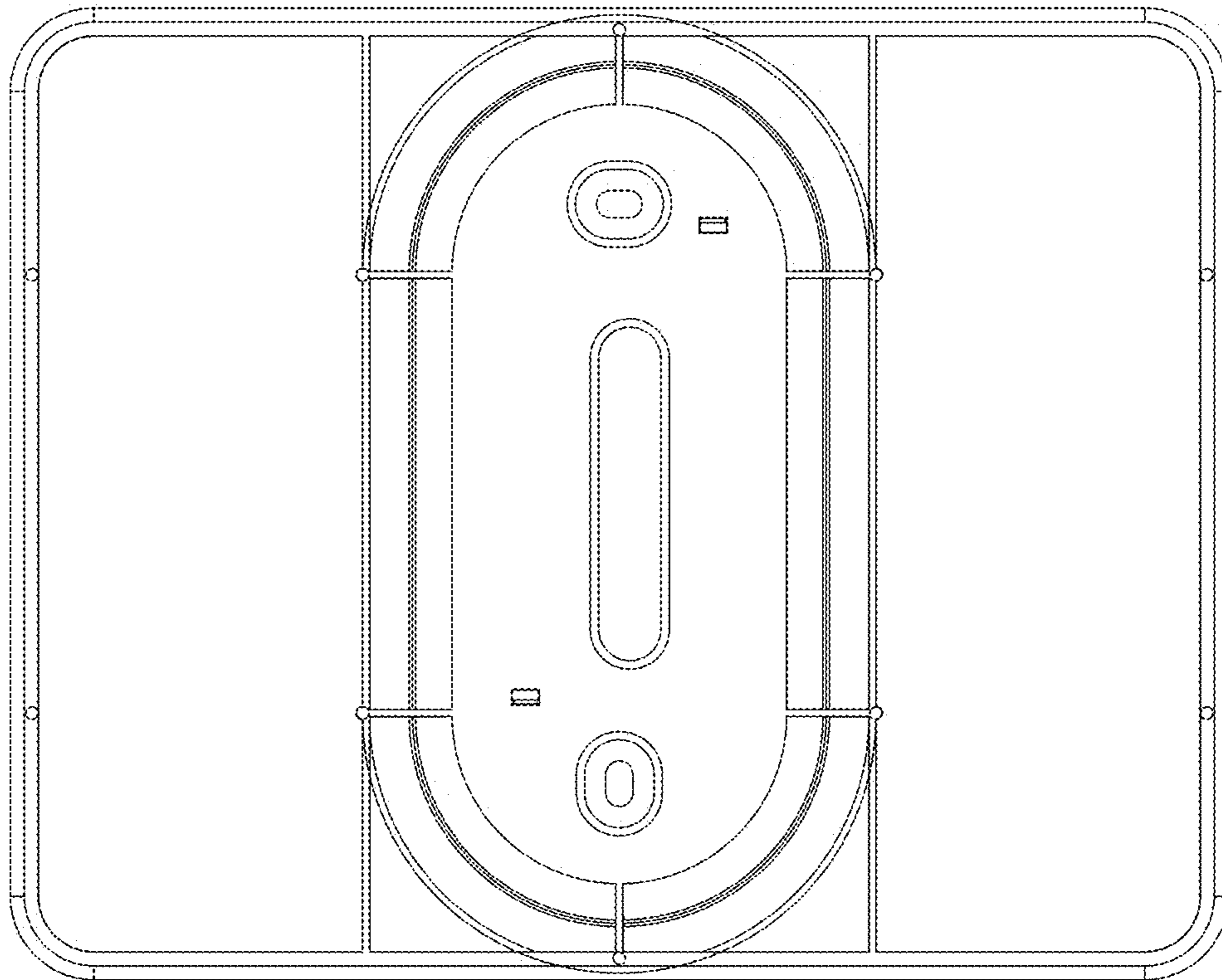


FIG. 3

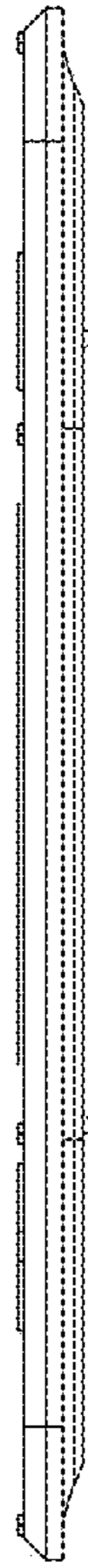


FIG. 4

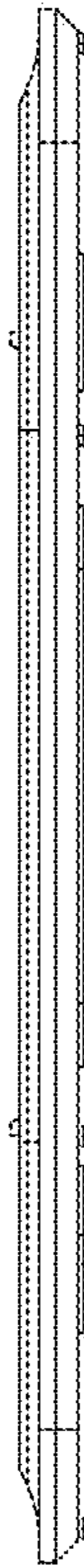


FIG. 5

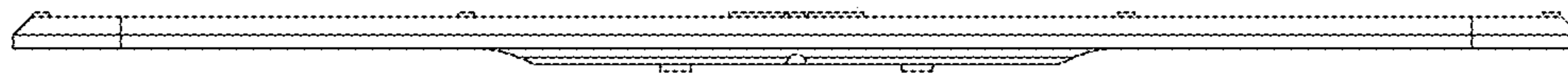


FIG. 6

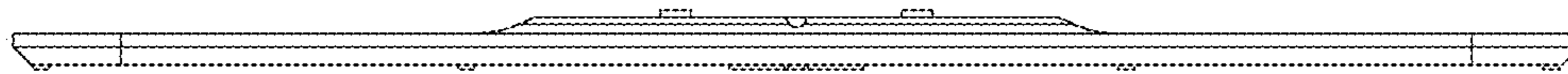


FIG. 7