



US00D894714S

(12) **United States Design Patent** (10) **Patent No.:** **US D894,714 S**
Evarts (45) **Date of Patent:** **** Sep. 1, 2020**

(54) **LOCKING DEVICE**
(71) Applicant: **Jaiden Evarts**, Londonderry, NH (US)
(72) Inventor: **Jaiden Evarts**, Londonderry, NH (US)
(**) Term: **15 Years**
(21) Appl. No.: **29/644,663**
(22) Filed: **Apr. 19, 2018**
(51) **LOC (12) Cl.** **08-07**
(52) **U.S. Cl.**
USPC **D8/333**
(58) **Field of Classification Search**
USPC D8/330, 331, 333, 334, 336, 337, 338,
D8/339, 341, 396; D12/114
CPC B62H 3/00; B62H 5/00; B62H 5/20; E05B
71/00; E05B 73/00; E05B 67/003
See application file for complete search history.

D527,991 S * 9/2006 Chiang D12/118
7,311,233 B2 * 12/2007 Chen B62J 11/00
224/425
D589,779 S * 4/2009 Wrase D8/330
D646,951 S * 10/2011 Tsai D8/330
D698,223 S * 1/2014 Moreau D8/330
D731,299 S * 6/2015 Sugiura D8/396
9,228,377 B1 * 1/2016 Chang B62H 5/003
D775,510 S * 1/2017 Lee D8/333
D826,178 S * 8/2018 Ridl D13/154
10,392,065 B2 * 8/2019 Shenkerman B62H 5/005
2005/0011921 A1 * 1/2005 Yang B62H 5/00
224/425
2008/0035690 A1 * 2/2008 Hsai B62H 5/00
224/425
2019/0016401 A1 * 1/2019 Xing B62H 5/20

* cited by examiner

Primary Examiner — Steven J Cxyz
(74) *Attorney, Agent, or Firm* — Burns & Levinson LLP;
Richard B. Emmons

(56) **References Cited**

U.S. PATENT DOCUMENTS

D267,470 S * 1/1983 Scherbing D8/333
D325,332 S * 4/1992 Oberhelman D8/333
D334,527 S * 4/1993 Fink D8/333
D365,745 S * 1/1996 Brendel D8/333
D371,332 S * 7/1996 Chapple 280/209
5,647,520 A * 7/1997 McDaid B62J 11/00
224/425
5,653,365 A * 8/1997 Lee B62H 5/00
224/445
5,669,536 A * 9/1997 Wang B62H 5/00
224/443
D402,180 S * 12/1998 Chappell D8/333
D451,368 S * 12/2001 Hardesty D8/331
6,422,442 B1 * 7/2002 McDaid B62H 5/00
224/441
6,751,992 B1 * 6/2004 Esquilin B62H 3/02
70/227

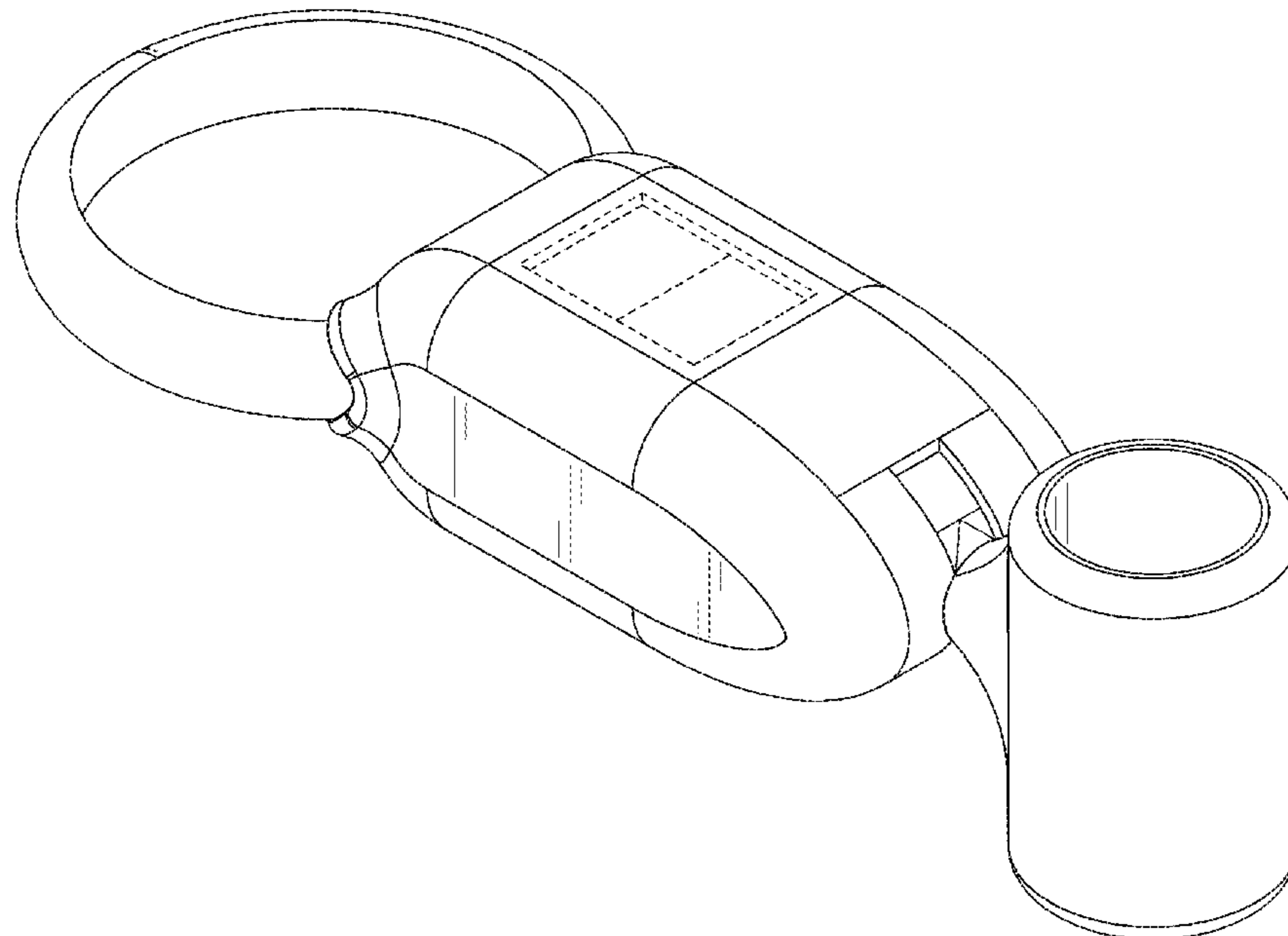
(57) **CLAIM**

The ornamental design for a locking device, as shown and described.

DESCRIPTION

FIG. 1 is a top, right side perspective view of a locking device showing my new design;
FIG. 2 is a top, left side perspective view thereof;
FIG. 3 is a right side view thereof;
FIG. 4 is a left side view thereof;
FIG. 5 is a front view thereof;
FIG. 6 is a back view thereof;
FIG. 7 is a top view thereof; and,
FIG. 8 is a bottom view thereof.
The broken lines depict portions of the article that form no part of the claimed design.

1 Claim, 8 Drawing Sheets



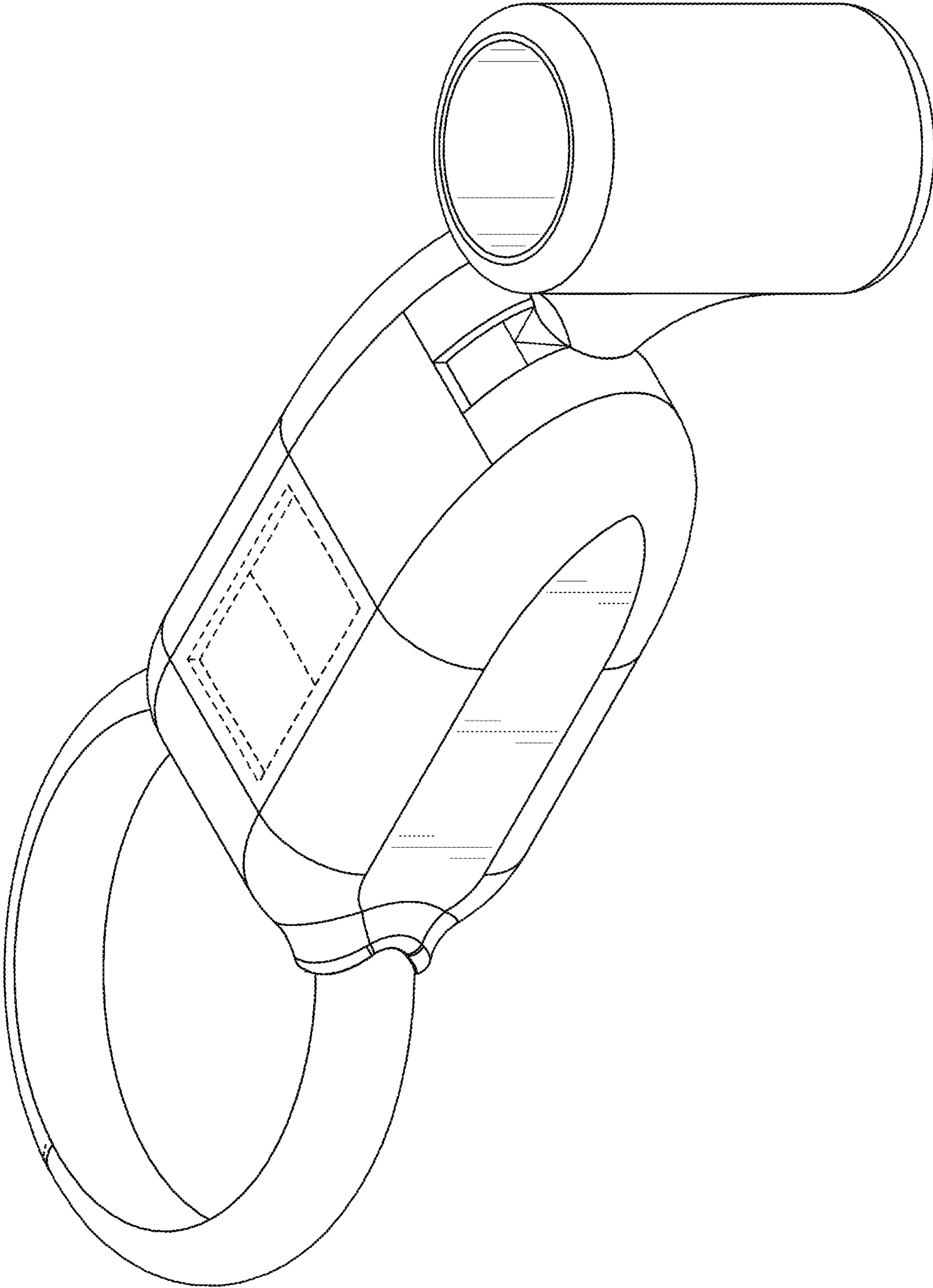


FIG. 1

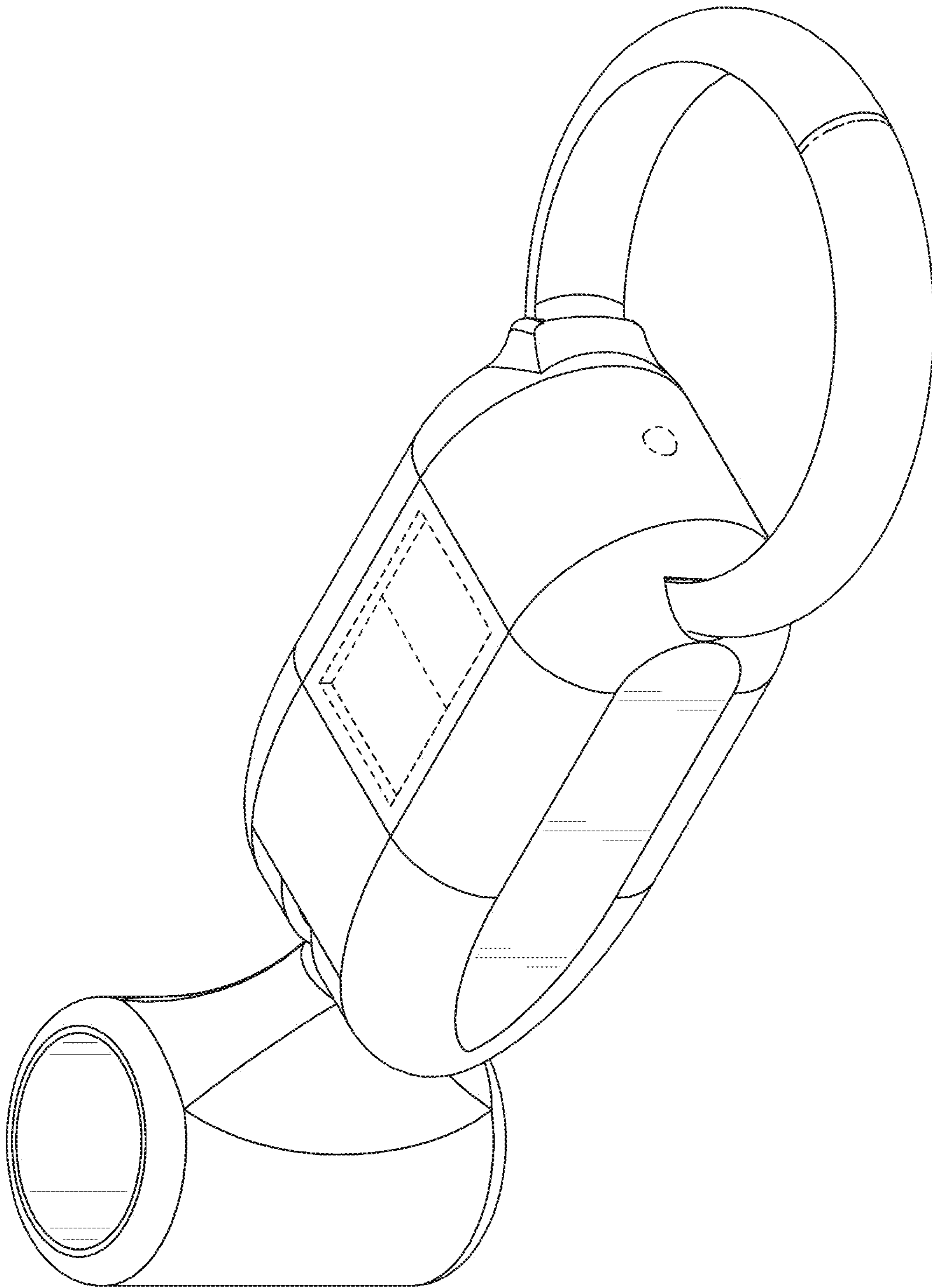


FIG. 2

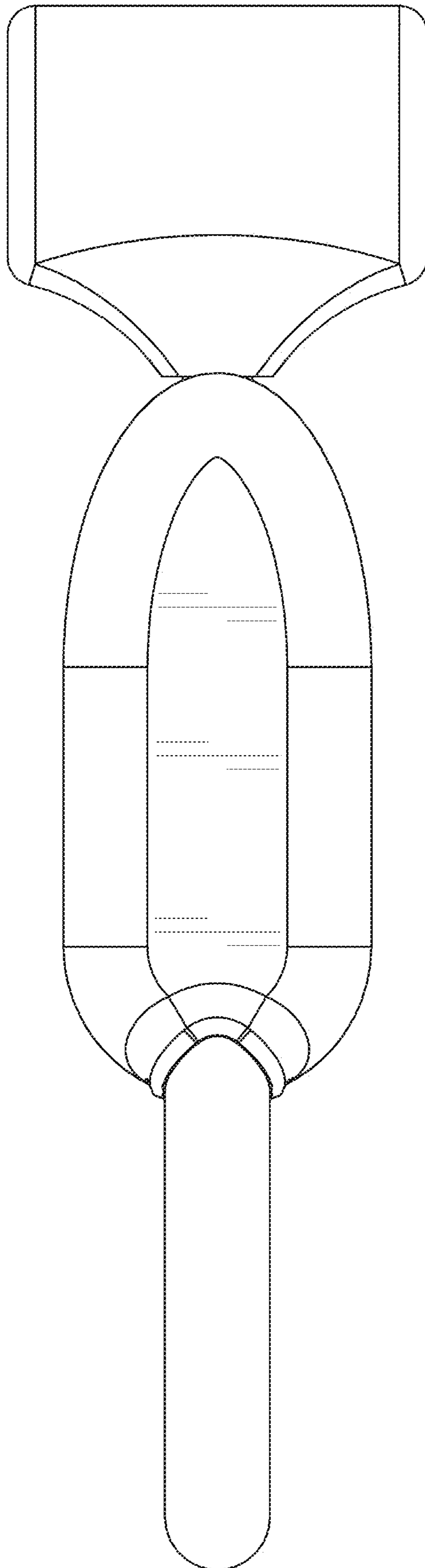


FIG. 3

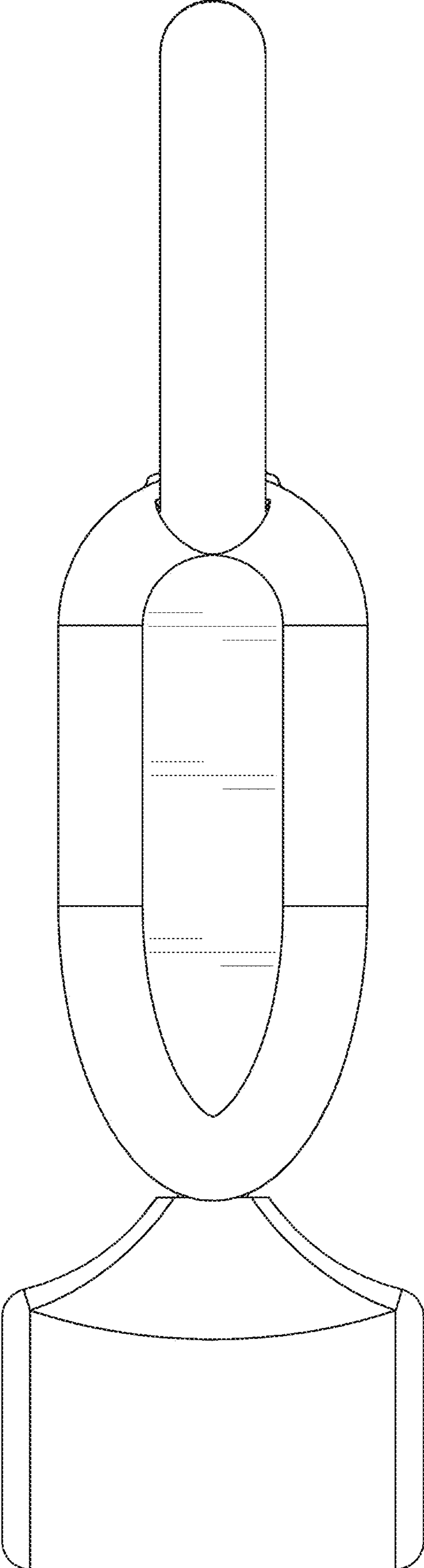


FIG. 4

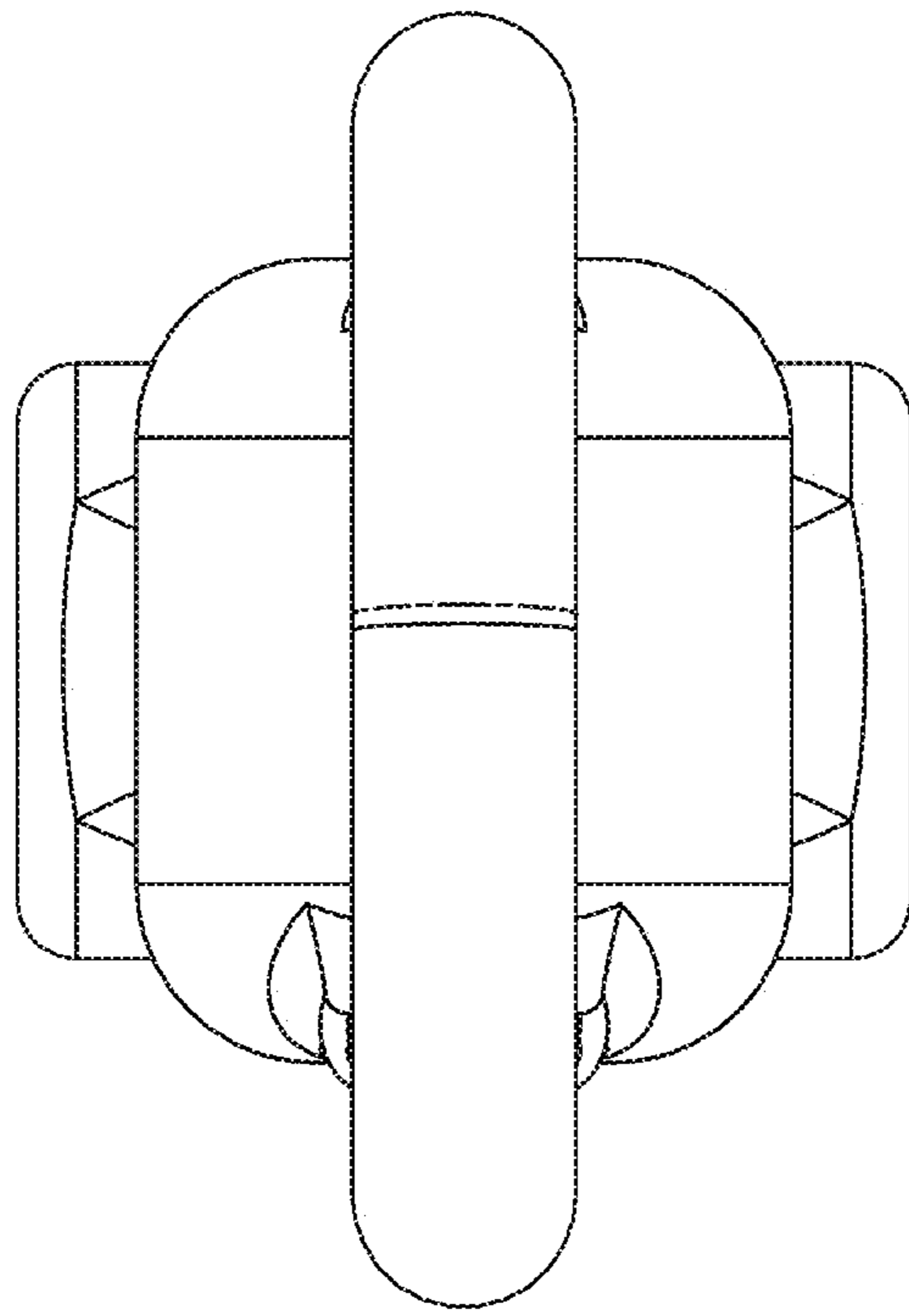


FIG. 5

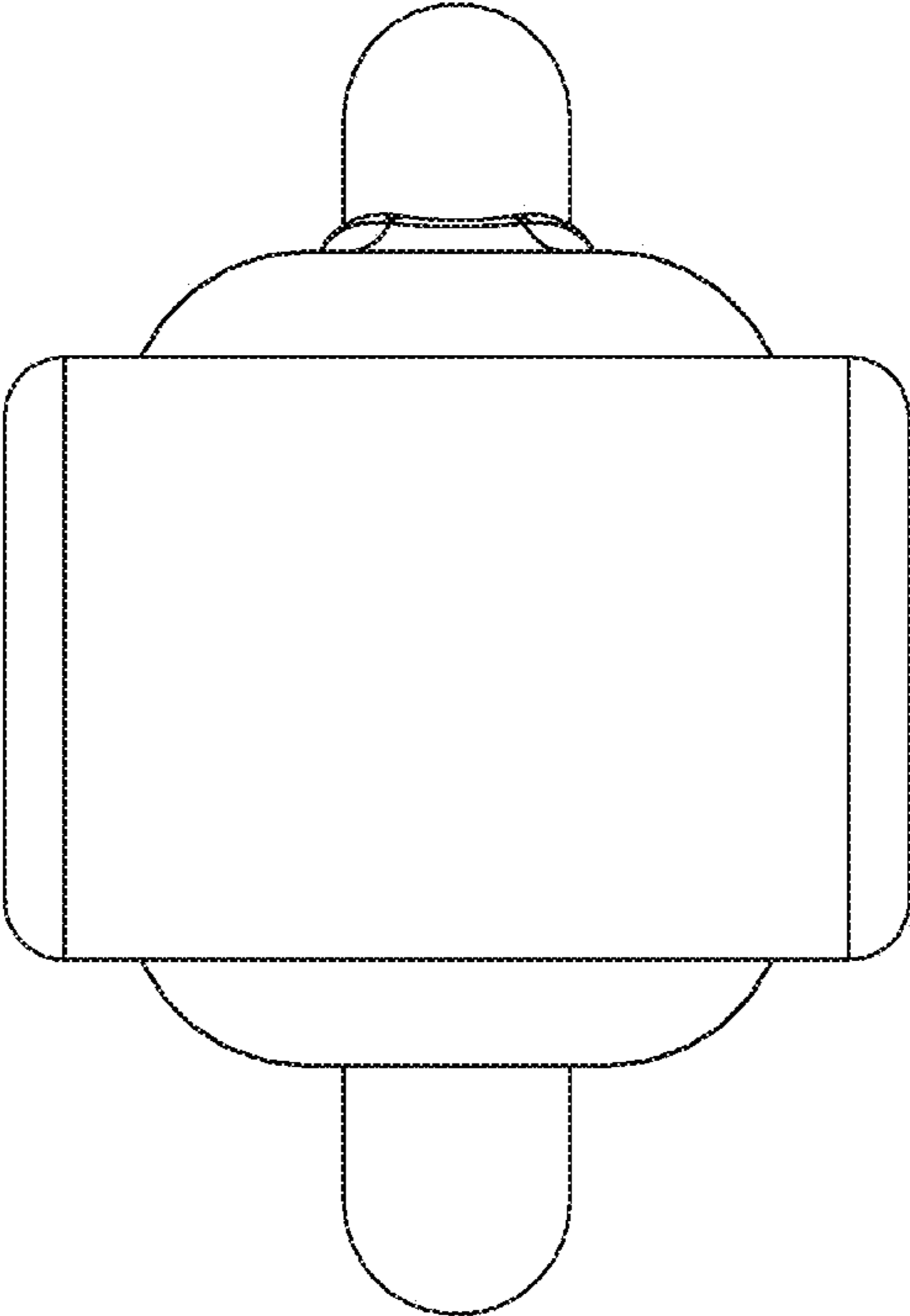


FIG. 6

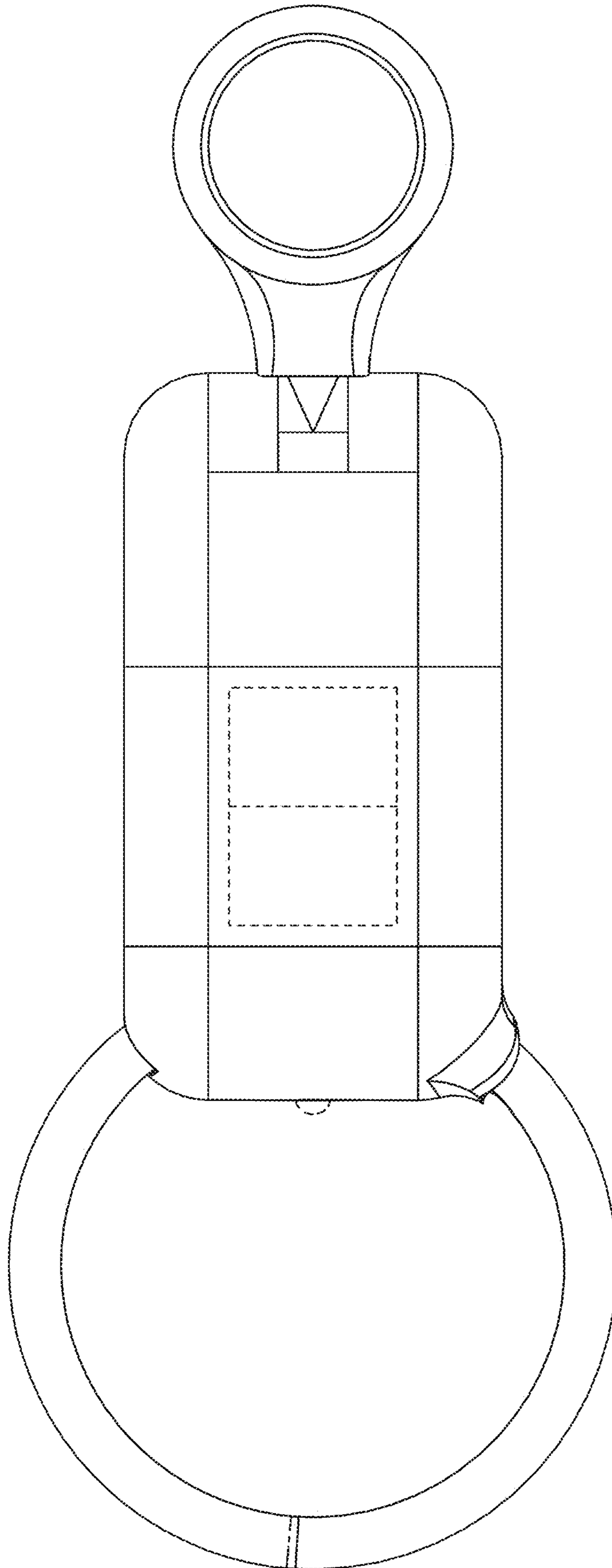


FIG. 7

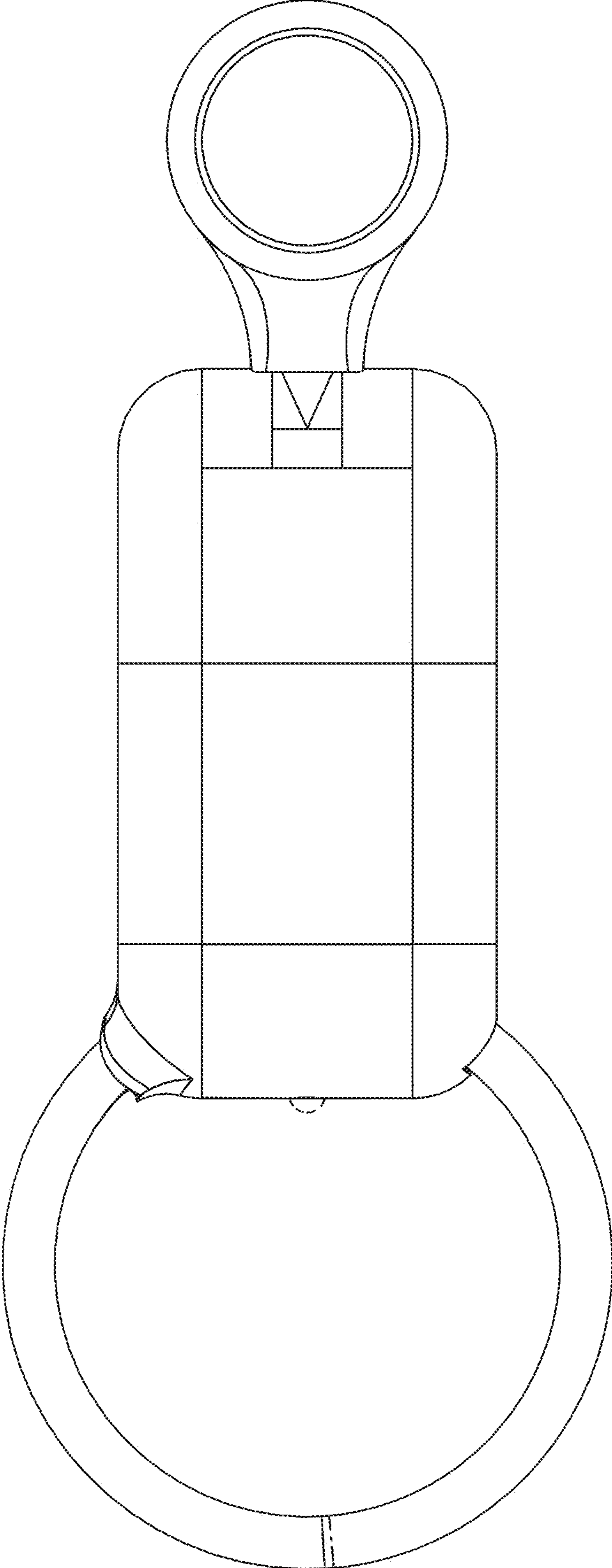


FIG. 8