



US00D894713S

(12) **United States Design Patent** (10) **Patent No.:** **US D894,713 S**  
**Hall** (45) **Date of Patent:** **\*\* \*Sep. 1, 2020**

(54) **SWING HINGE**  
(71) Applicant: **Julian Hall**, Indianapolis, IN (US)  
(72) Inventor: **Julian Hall**, Indianapolis, IN (US)  
(\* ) Notice: This patent is subject to a terminal disclaimer.

D520,337 S \* 5/2006 Alvarado ..... D8/323  
D605,492 S \* 12/2009 De Leone ..... D8/323  
D628,409 S \* 12/2010 Anzai ..... D8/323  
D688,069 S \* 8/2013 Henderson ..... A47C 27/15  
D6/601  
D729,605 S \* 5/2015 Ramey ..... D8/323  
D756,195 S \* 5/2016 Shadley ..... D8/323  
D773,934 S \* 12/2016 Kuruvilla ..... D8/323

(\*\*) Term: **15 Years**

**FOREIGN PATENT DOCUMENTS**

(21) Appl. No.: **29/540,126**

EP 1 766 174 B1 3/2007  
EP 2 505 755 A2 10/2012  
GB 1055483 1/1967

(22) Filed: **Sep. 21, 2015**

\* cited by examiner

(51) **LOC (12) Cl.** ..... **08-06**

*Primary Examiner* — Cynthia R Underwood

(52) **U.S. Cl.**  
USPC ..... **D8/323**

(74) *Attorney, Agent, or Firm* — Gary E. Lambert; David J. Connaughton, Jr.; Lambert Shortell & Connaughton

(58) **Field of Classification Search**  
USPC ..... D8/323, 328; 16/387, 342, 337;  
D23/323  
CPC .. E05D 1/00; E05D 11/06; E05D 5/10; E05D  
3/02; E05D 11/082; A47K 13/12  
See application file for complete search history.

(57) **CLAIM**

The ornamental design for a swing hinge, as shown and described.

(56) **References Cited**

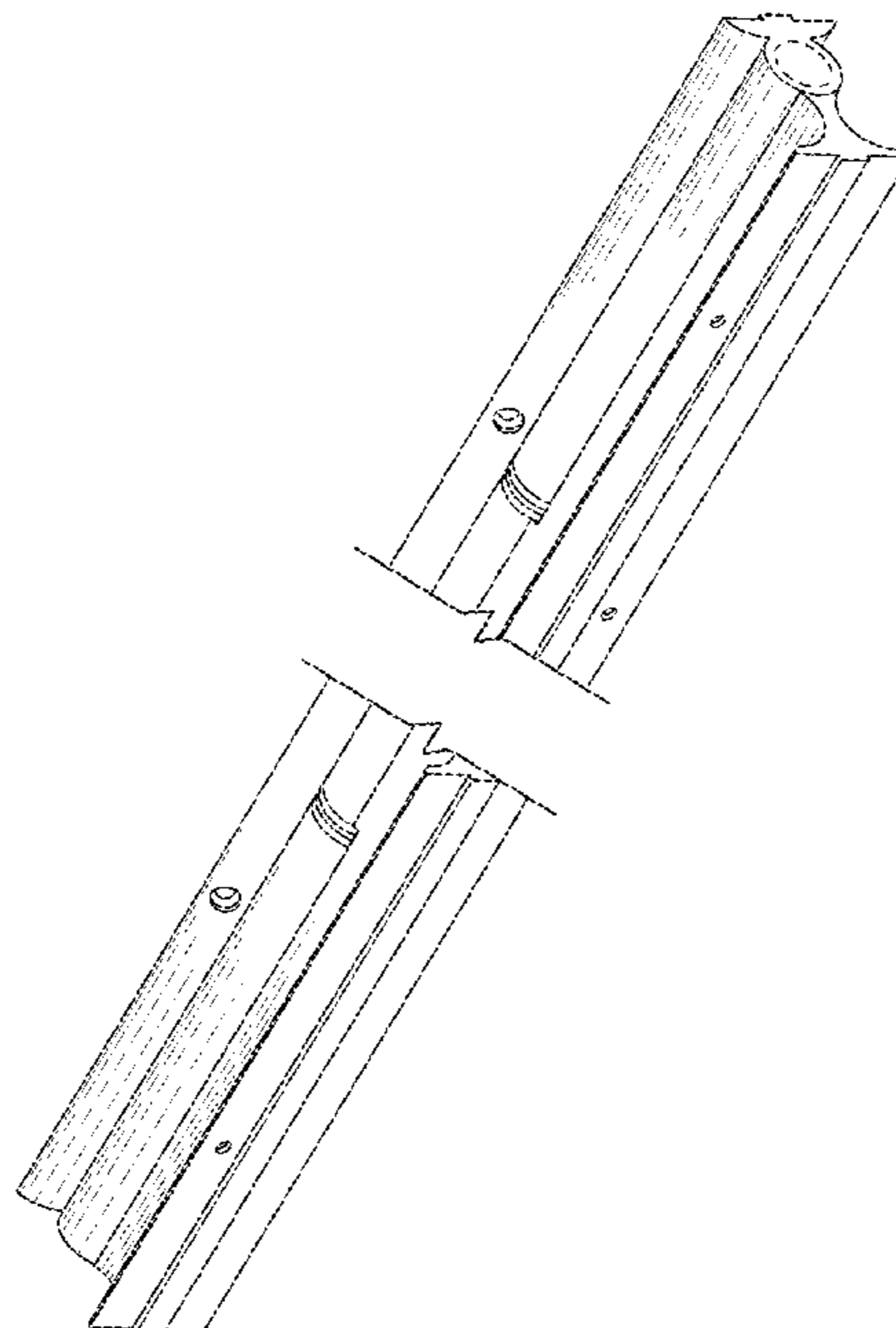
**DESCRIPTION**

**U.S. PATENT DOCUMENTS**

2,530,331 A 11/1950 Hubbs  
2,972,788 A 2/1961 Shean  
3,115,665 A 12/1963 Cecala  
3,148,407 A 9/1964 Glasbrenner  
3,174,177 A 3/1965 Bugge  
3,299,576 A 1/1967 Bobrowski  
3,624,864 A 12/1971 Marr  
3,694,852 A 10/1972 Jentsch  
4,021,882 A 5/1977 Polanco  
4,369,545 A 1/1983 Maublanc  
D303,492 S \* 9/1989 Bisbing ..... D8/323  
D303,622 S \* 9/1989 Fulcher ..... D21/839  
D411,434 S \* 6/1999 Russell ..... D8/323  
D512,299 S \* 12/2005 Libert ..... D8/323

FIG. 1 is a front isometric view of the swing hinge, which embodies my design;  
FIG. 2 is a back side view of the swing hinge;  
FIG. 3 is a front side view of the swing hinge;  
FIG. 4 is a side view of the swing hinge; and,  
FIG. 5 is a top plane view of the swing hinge.  
The drafting break symbols indicate that any portion of the article beyond what is shown forms no part of the claimed design. Each of FIGS. 1-4 shows a single item shown broken.  
The broken line defines the bounds of the claimed design and forms no part thereof.

**1 Claim, 3 Drawing Sheets**



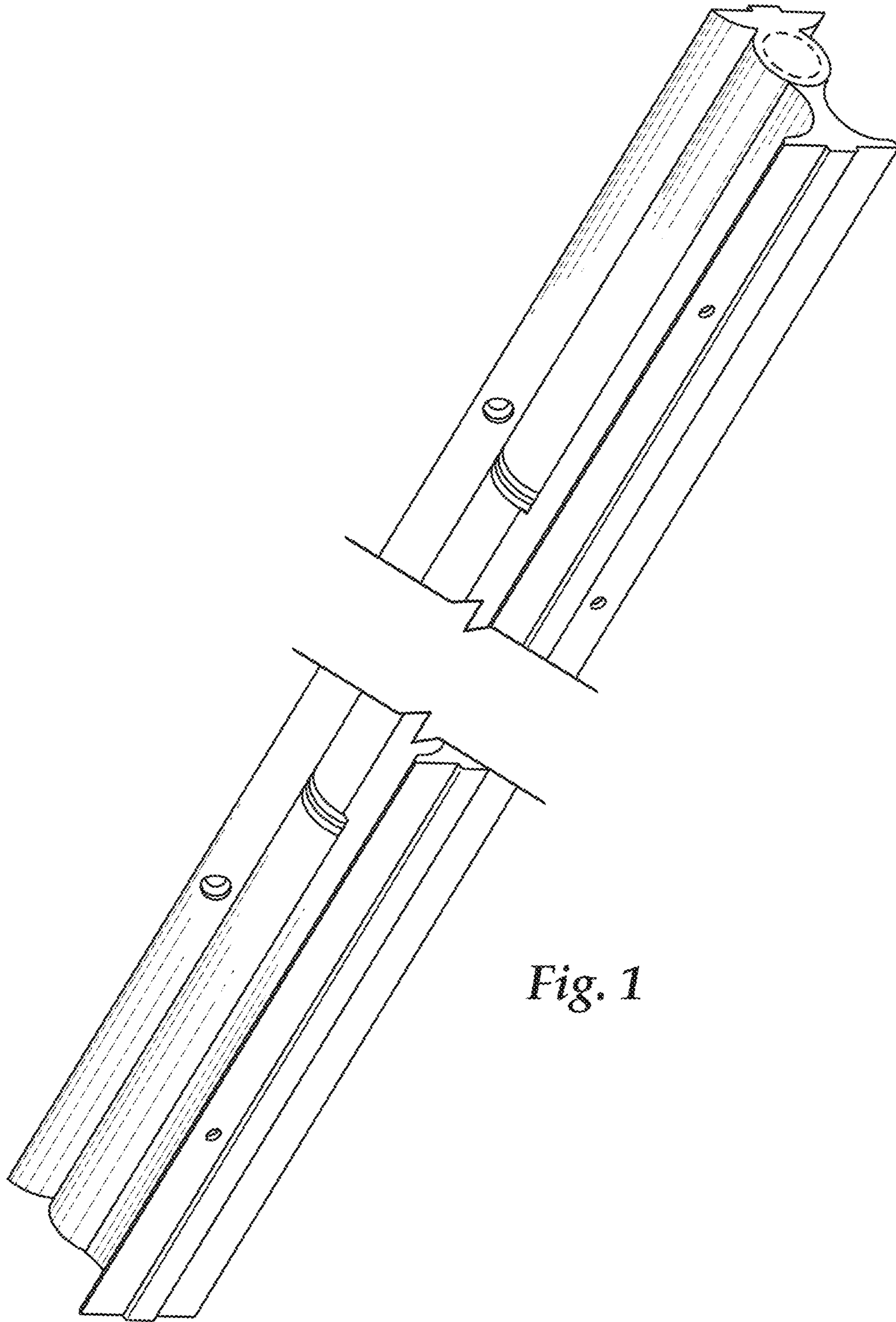


Fig. 1

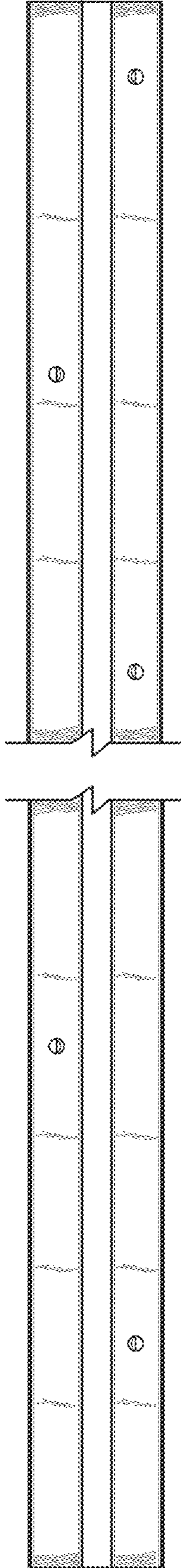


Fig. 2

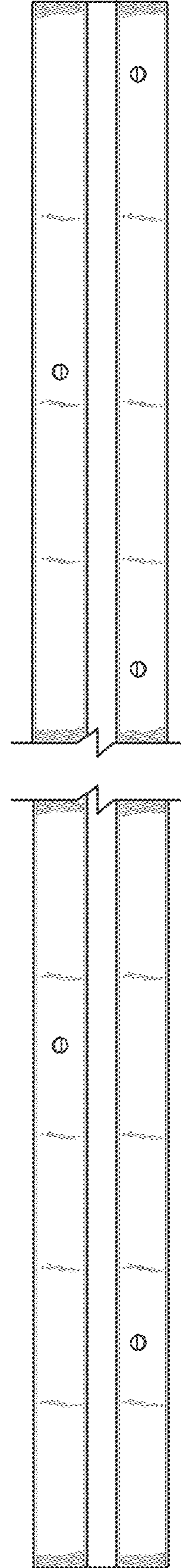


Fig. 3

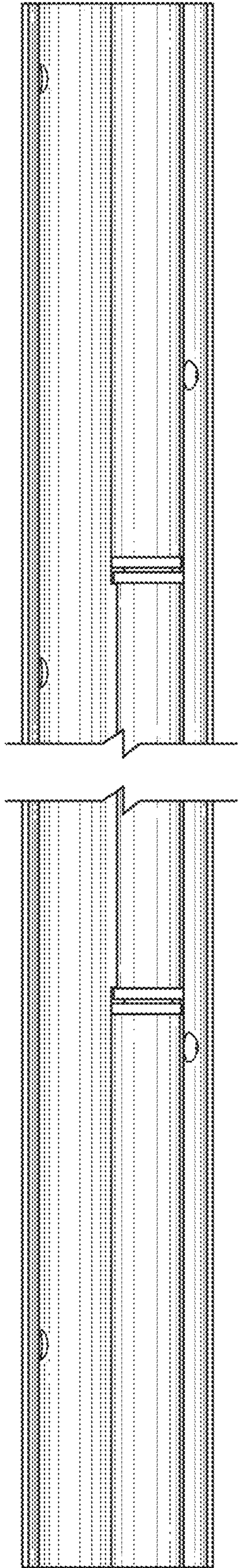


Fig. 4

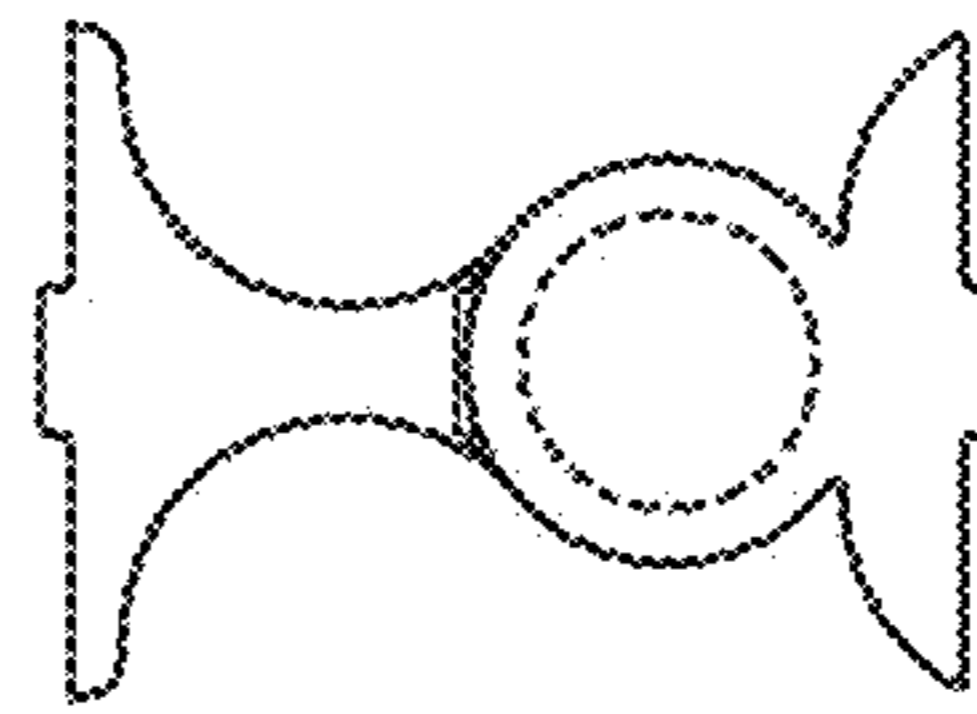


Fig. 5