



US00D894712S

(12) **United States Design Patent** (10) **Patent No.:** **US D894,712 S**
Panosian et al. (45) **Date of Patent:** **** Sep. 1, 2020**

(54) **PLIERS**
(71) Applicant: **TOUGHBUILT INDUSTRIES, INC.**,
Lake Forest, CA (US)
(72) Inventors: **Michael H. Panosian**, Irvine, CA (US);
Joshua Keeler, Bradbury, CA (US)
(73) Assignee: **Toughbuilt Industries, Inc.**, Lake
Forest, CA (US)

(**) Term: **15 Years**

(21) Appl. No.: **29/692,055**

(22) Filed: **May 22, 2019**

(51) **LOC (12) Cl.** **08-05**

(52) **U.S. Cl.**
USPC **D8/107**

(58) **Field of Classification Search**
USPC D8/4, 14, 51, 52, 107, 300; D24/133;
D7/395
CPC B25G 1/10; B25G 1/02; B25B 7/00; B25B
7/08; B25B 7/10
See application file for complete search history.

(56) **References Cited**

U.S. PATENT DOCUMENTS

D262,090 S * 12/1981 Wahlberg D8/58
D281,452 S * 11/1985 Kurz D24/153
D299,108 S * 12/1988 Brdnik D8/107
D416,184 S * 11/1999 Gathmann D8/107
6,134,994 A * 10/2000 Gomas B25B 7/00
16/430
D464,544 S * 10/2002 Motley D8/14
D468,988 S * 1/2003 Goldmann, II D8/107
D494,040 S * 8/2004 Phillips D8/107
D532,267 S * 11/2006 Chen D8/52
D577,563 S * 9/2008 Chen D8/107

D577,981 S * 10/2008 Peterson D8/107
D618,980 S * 7/2010 Wang D8/107
D619,869 S * 7/2010 Garcia D8/107
D619,870 S * 7/2010 Garcia D8/107
D623,919 S * 9/2010 Chang D8/107
D680,398 S * 4/2013 Ritter D8/52
D730,707 S * 6/2015 Reedy D8/52
D762,434 S * 8/2016 Christopher D8/52
D766,689 S * 9/2016 Ritter D8/52
D830,797 S * 10/2018 Zhang D8/5
D861,455 S * 10/2019 Chang D8/107
2009/0049960 A1 * 2/2009 Heinsohn B25B 7/08
81/416
2012/0055031 A1 * 3/2012 Latronico B25B 7/12
30/191

* cited by examiner

Primary Examiner — Philip S Hyder

(74) *Attorney, Agent, or Firm* — Myron Greenspan
Lackenback Siegel LLP

(57) **CLAIM**

The ornamental design for a pliers, as shown and described.

DESCRIPTION

FIG. 1 is a bottom-right perspective view of the pliers showing our new design;

FIG. 2 is a top-right perspective view thereof;

FIG. 3 is a front elevational view thereof;

FIG. 4 is a rear elevational view thereof;

FIG. 5 is a right elevational view thereof;

FIG. 6 is a left elevational view thereof;

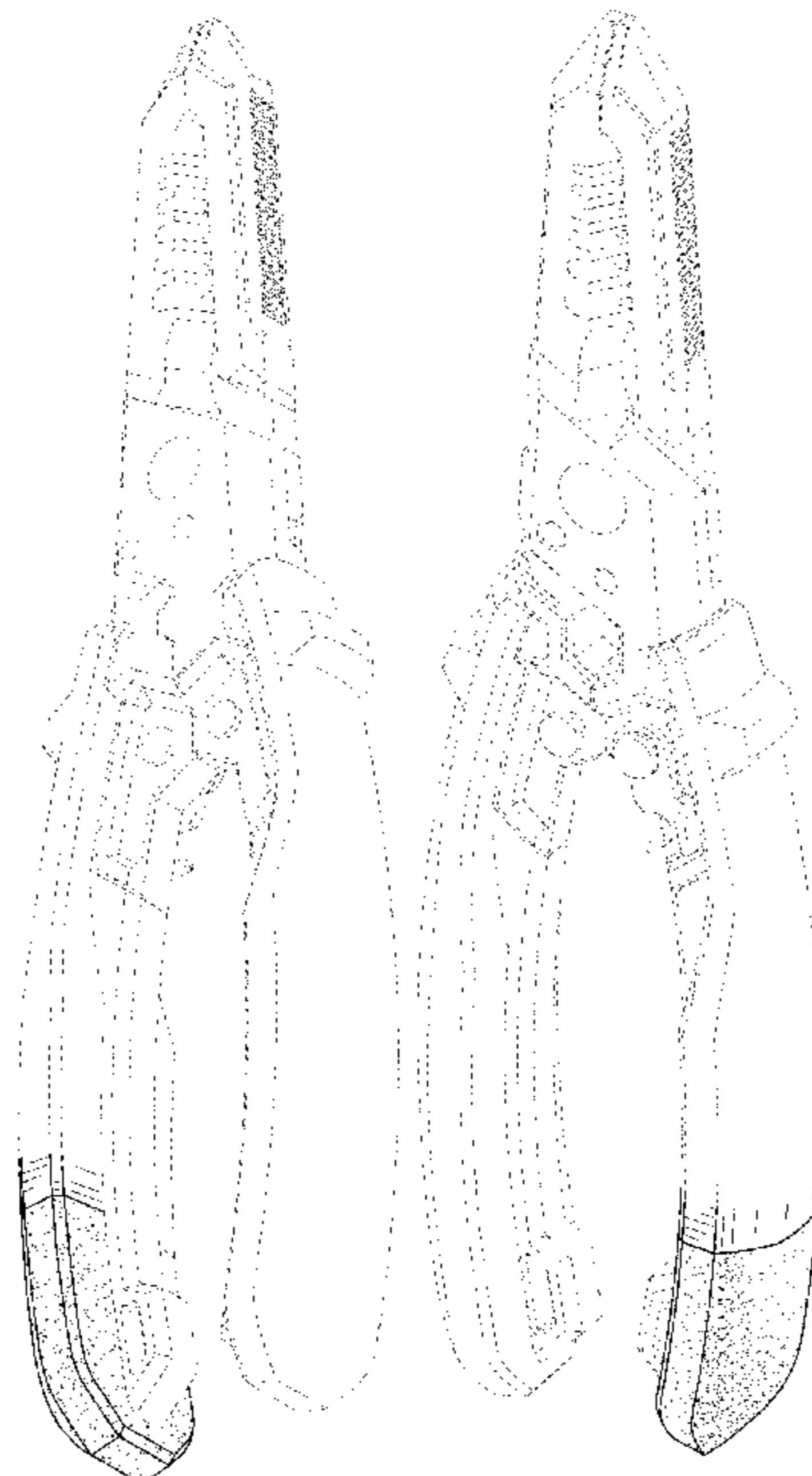
FIG. 7 is a top plan view thereof; and,

FIG. 8 is a bottom plan view thereof.

The broken lines depict portions of the pliers in which the design is embodied that are not considered part of the claimed design.

The stipled portion is an area of contrasting appearance.

1 Claim, 6 Drawing Sheets



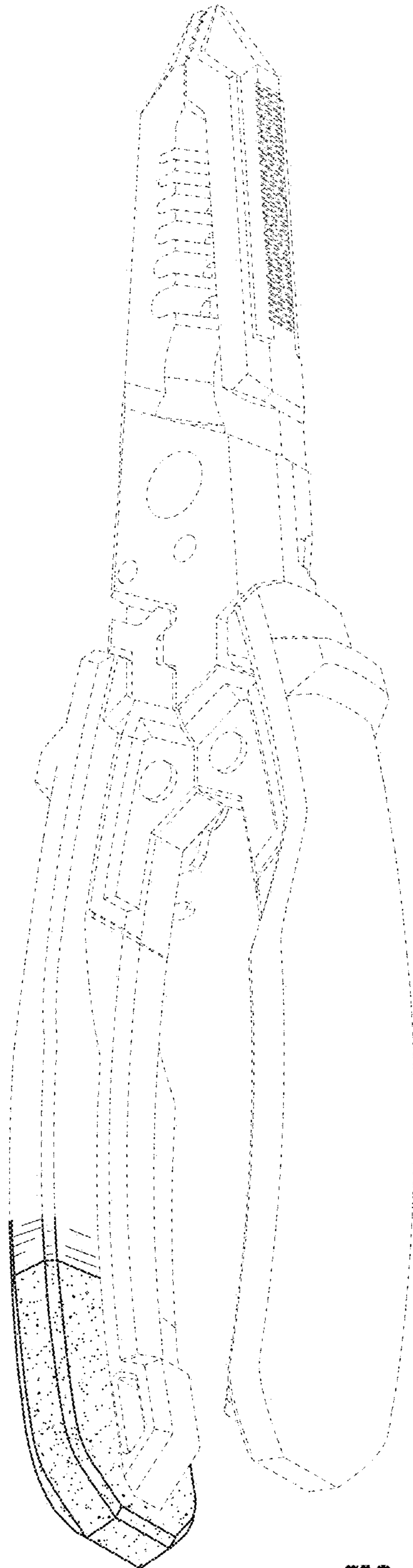


FIG. 1

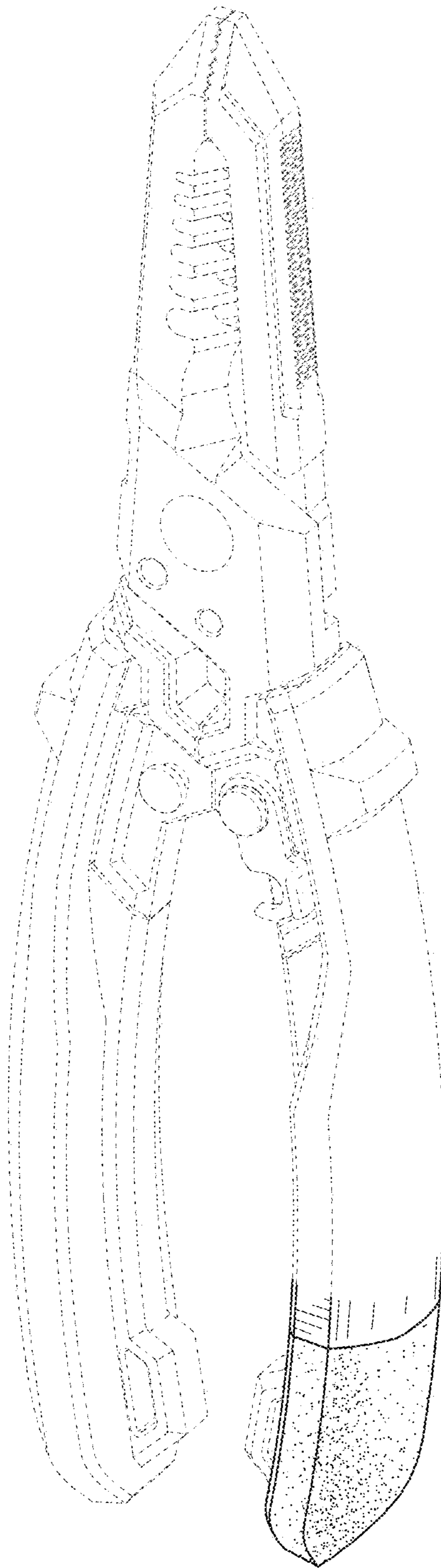


FIG. 2

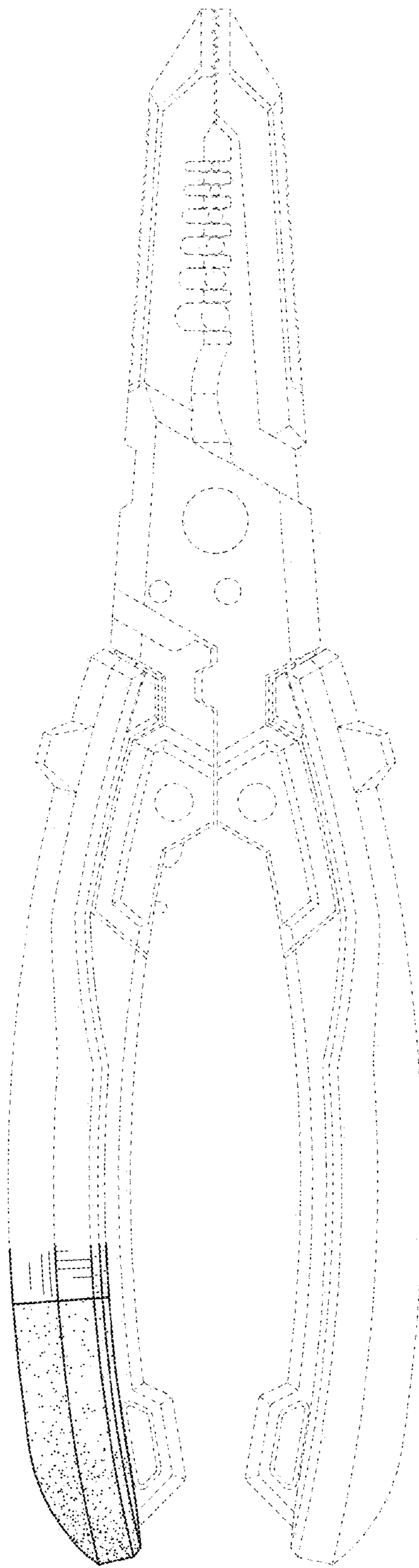


FIG. 3

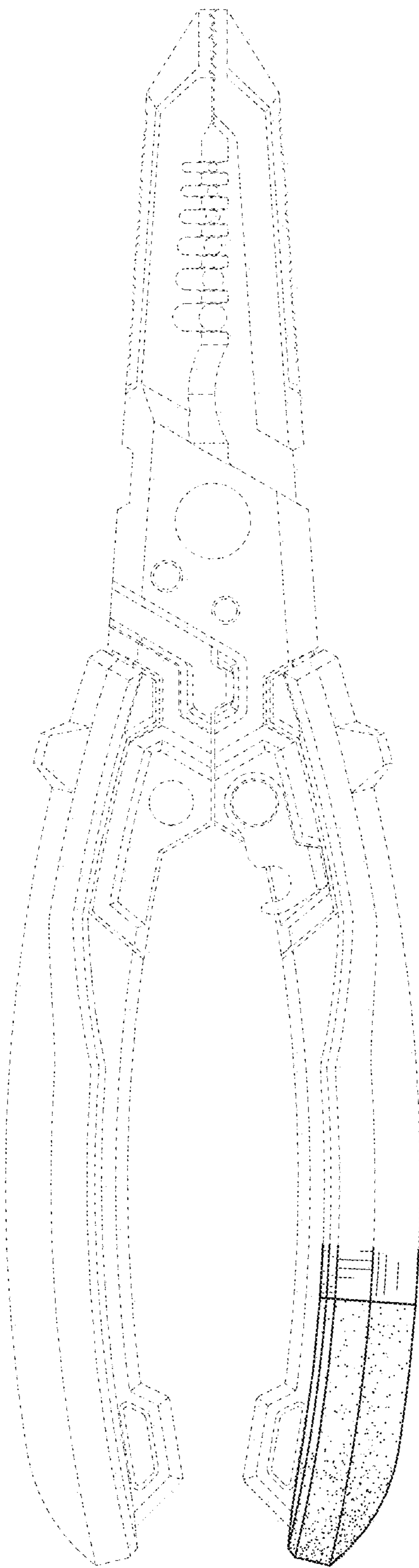


FIG. 4

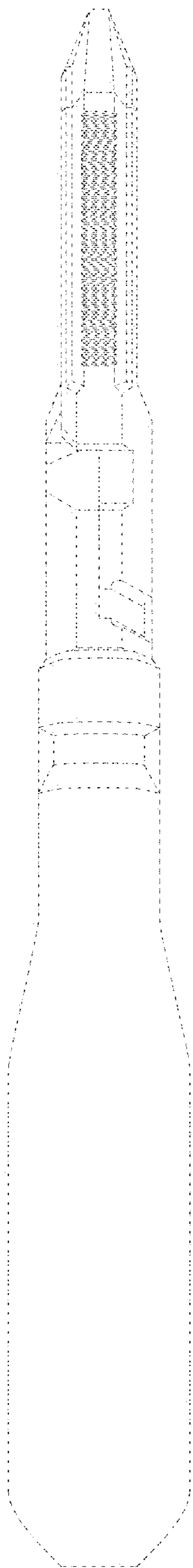


FIG. 5

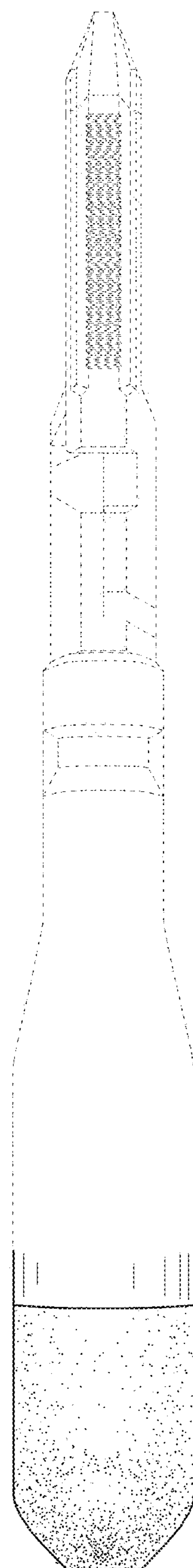


FIG. 6

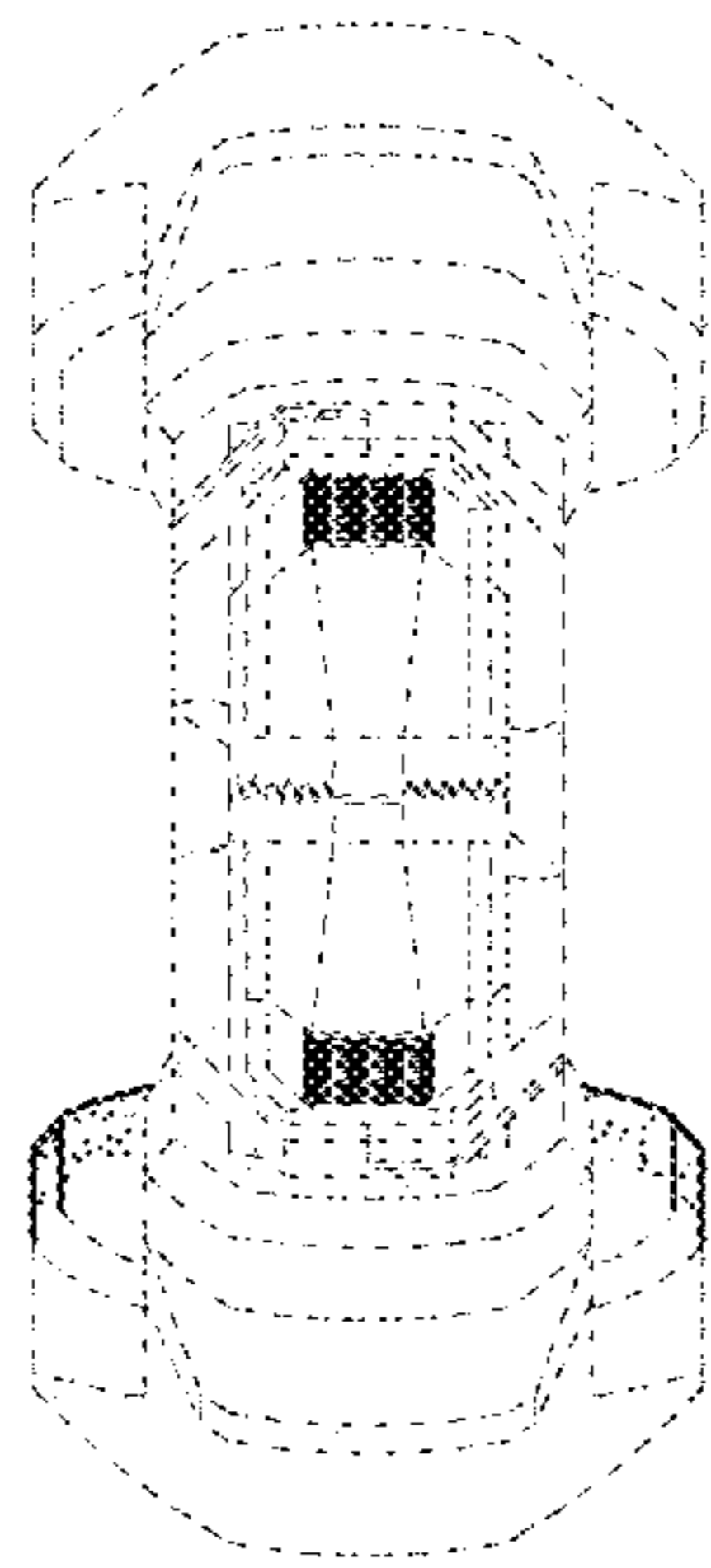


FIG. 7

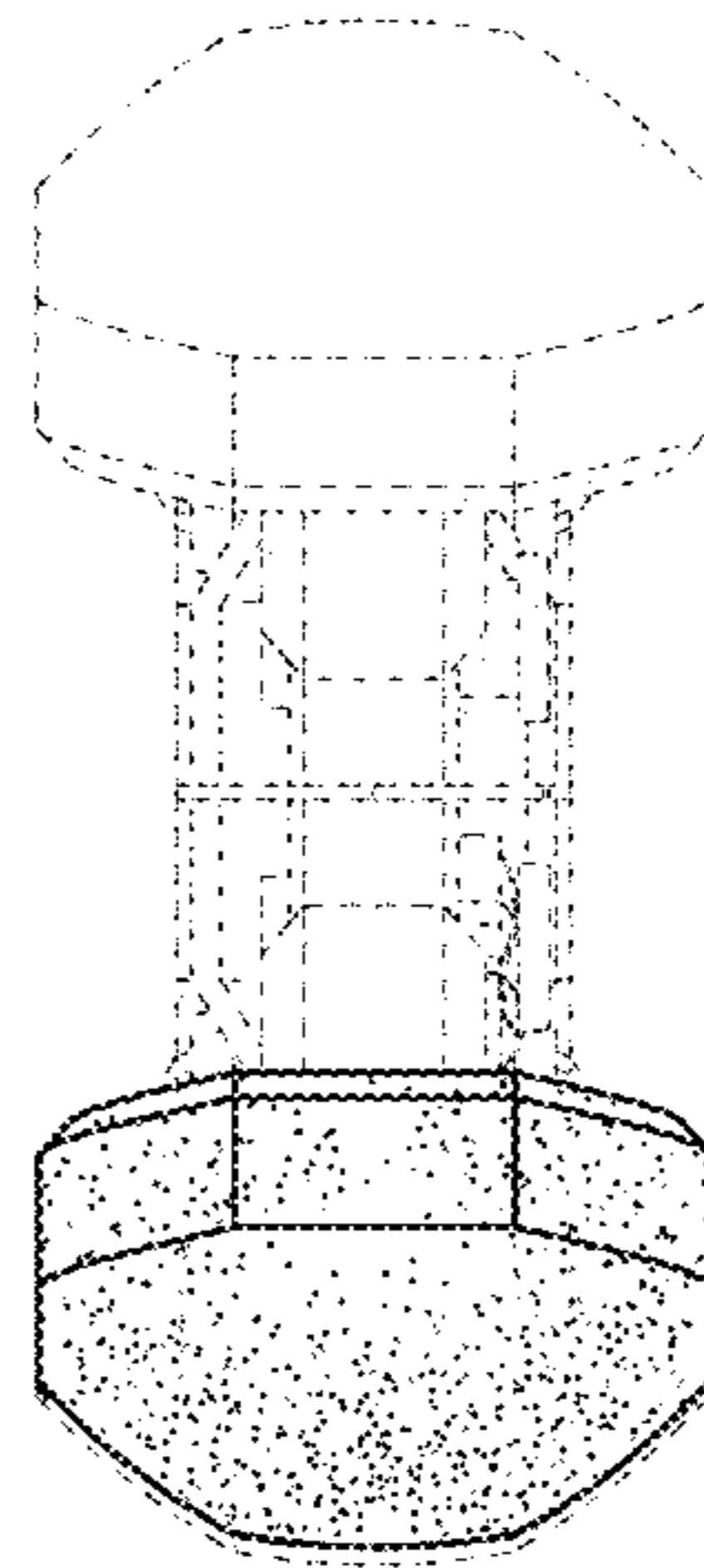


FIG. 8