



US00D894710S

(12) **United States Design Patent** (10) **Patent No.:** **US D894,710 S**  
**Li** (45) **Date of Patent:** **\*\* Sep. 1, 2020**

(54) **KNIFE SHARPENER**

(71) Applicant: **Jihui Li**, Yangjiang (CN)

(72) Inventor: **Jihui Li**, Yangjiang (CN)

(\*\*) Term: **15 Years**

(21) Appl. No.: **29/695,914**

(22) Filed: **Jun. 24, 2019**

(51) **LOC (12) Cl.** ..... **08-05**

(52) **U.S. Cl.**  
USPC ..... **D8/93**

(58) **Field of Classification Search**  
USPC ..... D8/63, 90, 91, 92, 93  
CPC .... B24B 3/54; B24B 3/36; B24B 3/58; B24B  
3/00; B24B 23/08; B24D 15/00; B24D  
15/06; B24D 15/063; B24D 15/08; B24D  
15/081

See application file for complete search history.

(56) **References Cited**

**U.S. PATENT DOCUMENTS**

D315,663 S *	3/1991	Dolbosco	.....	D8/93
D587,551 S *	3/2009	Friel, Sr.	.....	D8/93
D603,679 S *	11/2009	Smith	.....	D8/93
D604,134 S *	11/2009	Smith	.....	D8/63
D604,135 S *	11/2009	Smith	.....	D8/63
D626,397 S *	11/2010	Smith	.....	D8/93
D629,273 S *	12/2010	Friel, Sr.	.....	D8/93

D640,116 S *	6/2011	Smith	.....	D8/93
D666,886 S *	9/2012	Rieser	.....	D8/93
D673,833 S *	1/2013	Kay	.....	D8/93
D680,847 S *	4/2013	Smith	.....	D8/93
D736,587 S *	8/2015	Cavanaugh	.....	D8/93
9,649,749 B2 *	5/2017	Weiner	.....	B24D 15/082
D817,738 S *	5/2018	Chen	.....	D8/93
D884,450 S *	5/2020	Zemel	.....	D8/93
2016/0207171 A1 *	7/2016	Weiner	.....	B24D 15/082

\* cited by examiner

*Primary Examiner* — Philip S Hyder

(74) *Attorney, Agent, or Firm* — Muncy, Geissler, Olds & Lowe, P.C.

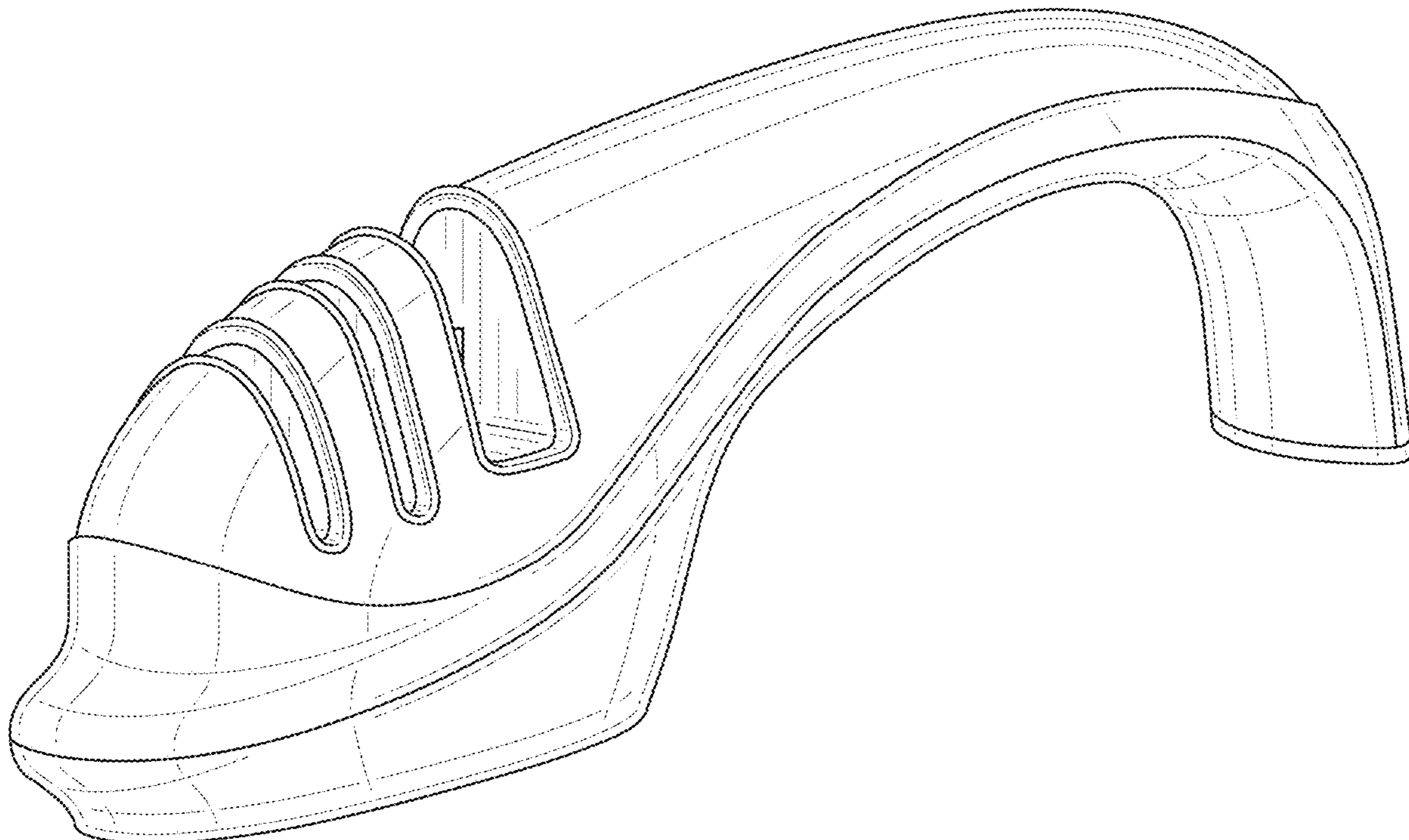
(57) **CLAIM**

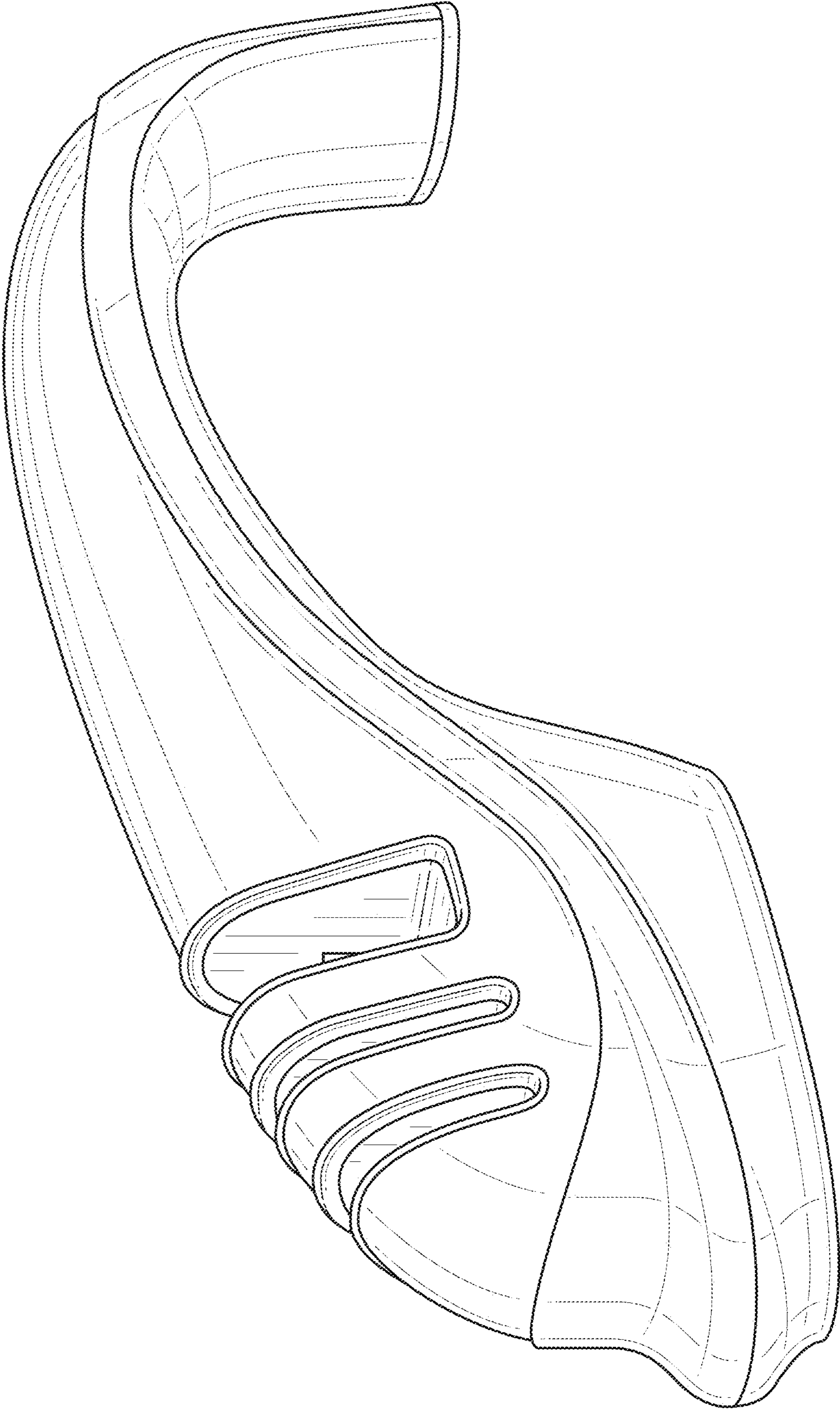
The ornamental design for a knife sharpener, as shown and described.

**DESCRIPTION**

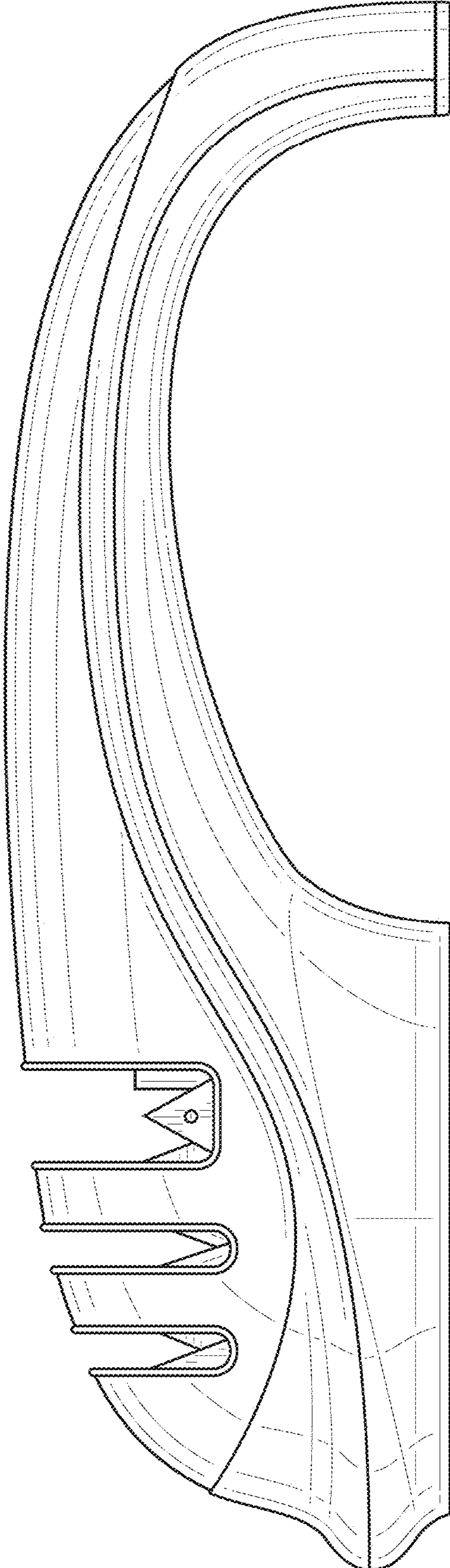
FIG. 1 is a Perspective view of a knife sharpener showing my new design;  
FIG. 2 is a Front elevational view thereof;  
FIG. 3 is a Rear elevational view thereof;  
FIG. 4 is a Left side view thereof;  
FIG. 5 is a Right side view thereof;  
FIG. 6 is a Top plan view thereof; and,  
FIG. 7 is a Bottom plan views thereof.

**1 Claim, 7 Drawing Sheets**

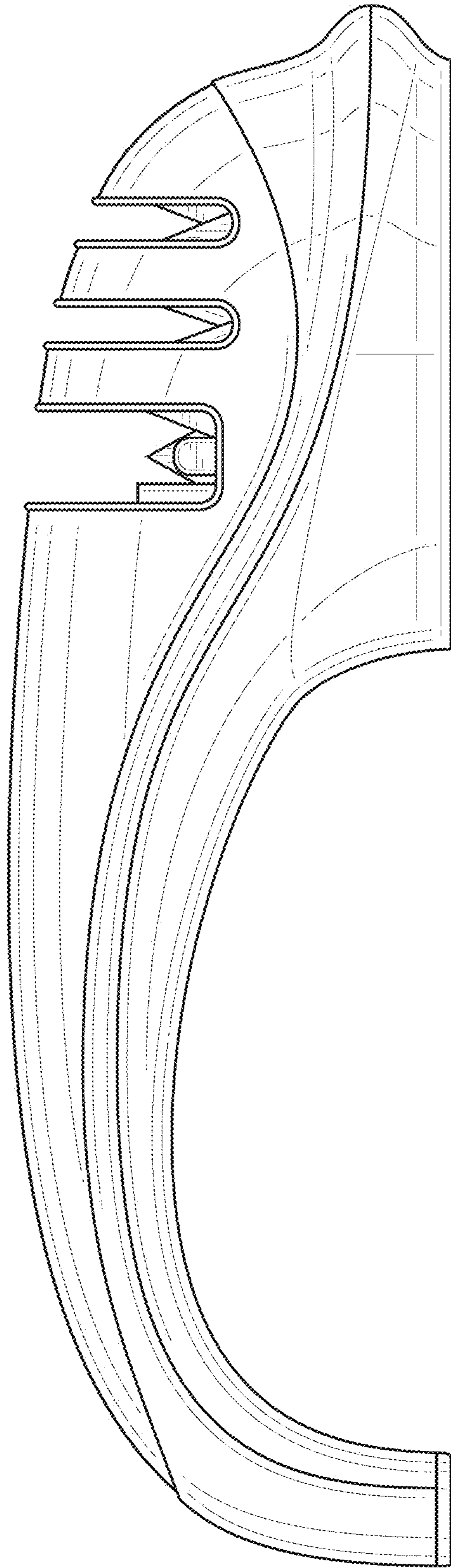




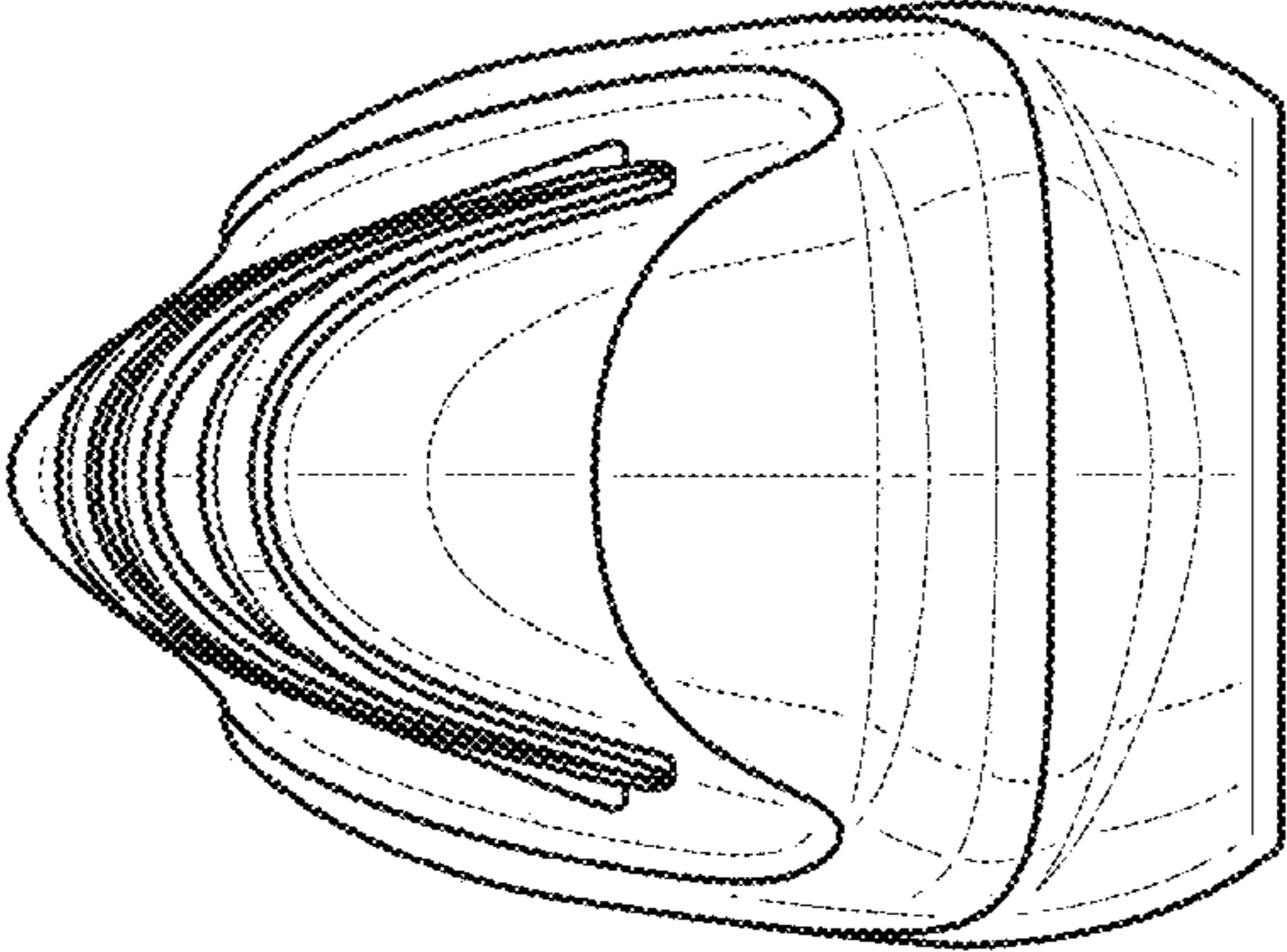
**FIG. 1**



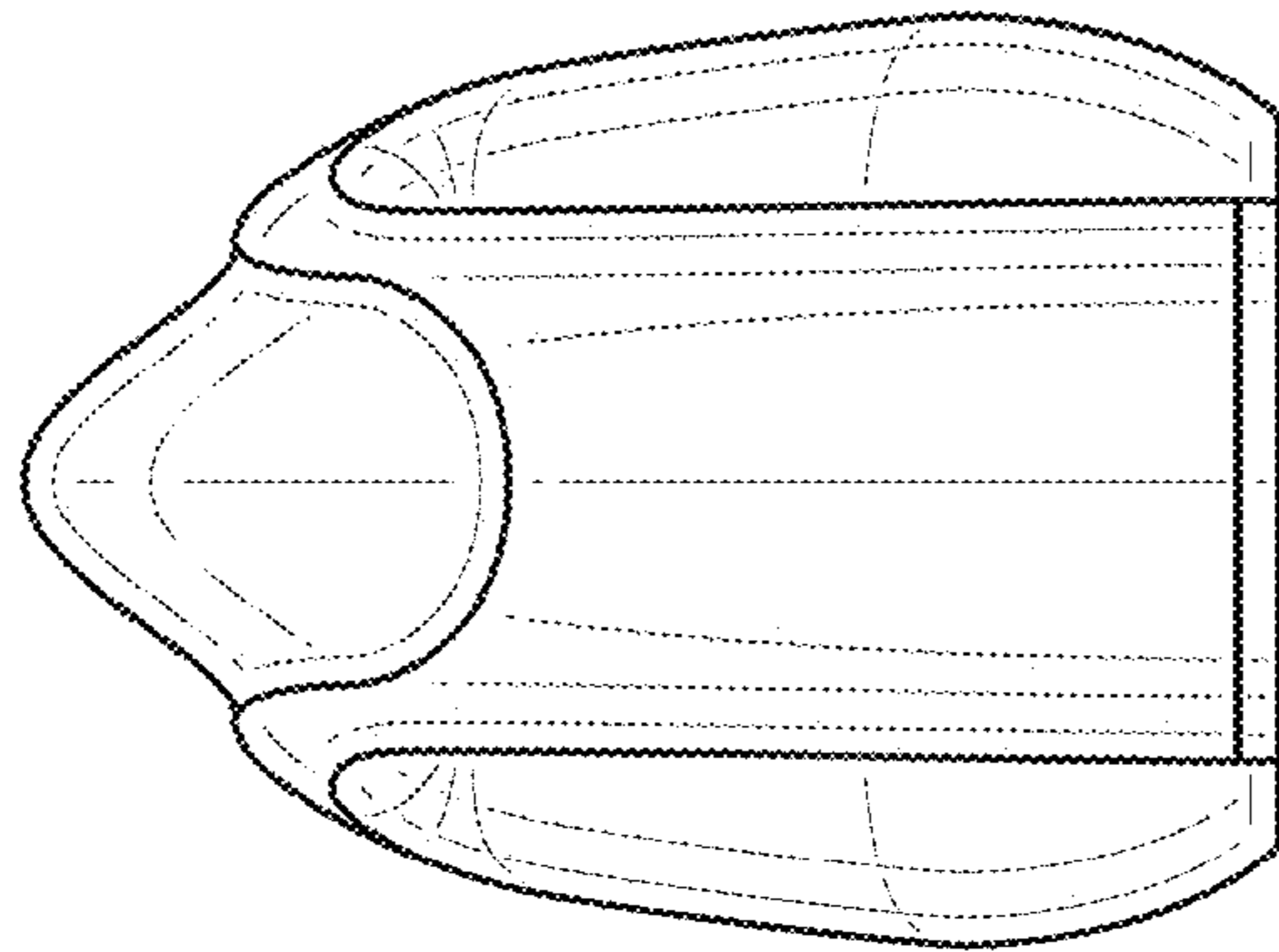
**FIG. 2**



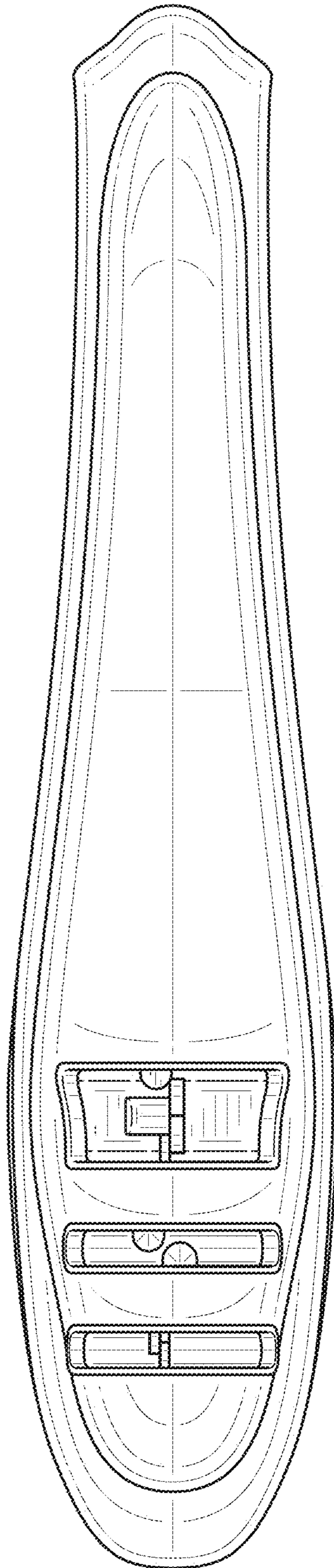
**FIG. 3**



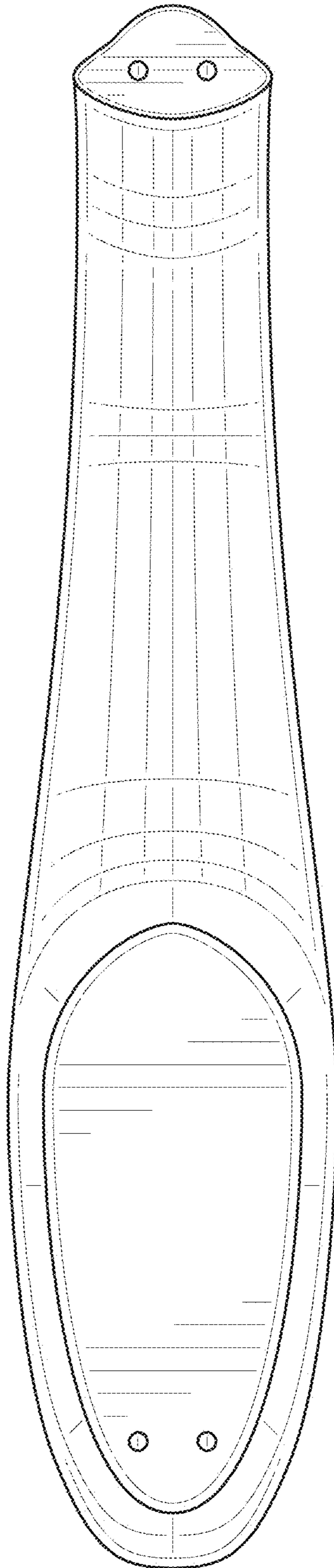
**FIG. 4**



**FIG. 5**



**FIG. 6**



**FIG. 7**