



US00D894709S

(12) **United States Design Patent**
Busch

(10) **Patent No.:** **US D894,709 S**

(45) **Date of Patent:** **** Sep. 1, 2020**

(54) **MULTIPLE PURPOSE UTILITY TOOL**

(71) Applicant: **Benjamin T. Busch**, Mukwonago, WI
(US)

(72) Inventor: **Benjamin T. Busch**, Mukwonago, WI
(US)

(**) Term: **15 Years**

(21) Appl. No.: **29/675,206**

(22) Filed: **Dec. 28, 2018**

(51) **LOC (12) Cl.** **08-02**

(52) **U.S. Cl.**
USPC **D8/81**

(58) **Field of Classification Search**
USPC D8/14, 75, 76, 77, 78, 79, 81, 105, 98;
D22/118
CPC . B26F 1/006; B26B 23/00; B26B 9/00; B26B
3/00; B26B 3/06
See application file for complete search history.

(56) **References Cited**

U.S. PATENT DOCUMENTS

- 4,546,510 A * 10/1985 Harrison B26B 23/00
30/151
- D318,896 S * 8/1991 Crain D22/117
- 5,398,360 A * 3/1995 Alexander B26B 3/06
30/143
- D409,270 S * 5/1999 Balolia D22/118

- D507,728 S * 7/2005 Graff D8/18
- D638,184 S * 5/2011 Lesche D32/46
- D669,331 S * 10/2012 Burdyshaw D8/105
- D702,101 S * 4/2014 Vanderbeek D8/89
- D707,789 S * 6/2014 Jones D22/118
- D721,557 S 1/2015 Ward
- D753,456 S * 4/2016 Kao D8/81
- D772,035 S * 11/2016 Jones D8/76
- D823,660 S * 7/2018 Pirrone D8/81

* cited by examiner

Primary Examiner — Philip S Hyder

(74) *Attorney, Agent, or Firm* — Joseph S. Heino; Erin E. Kaprelian

(57) **CLAIM**

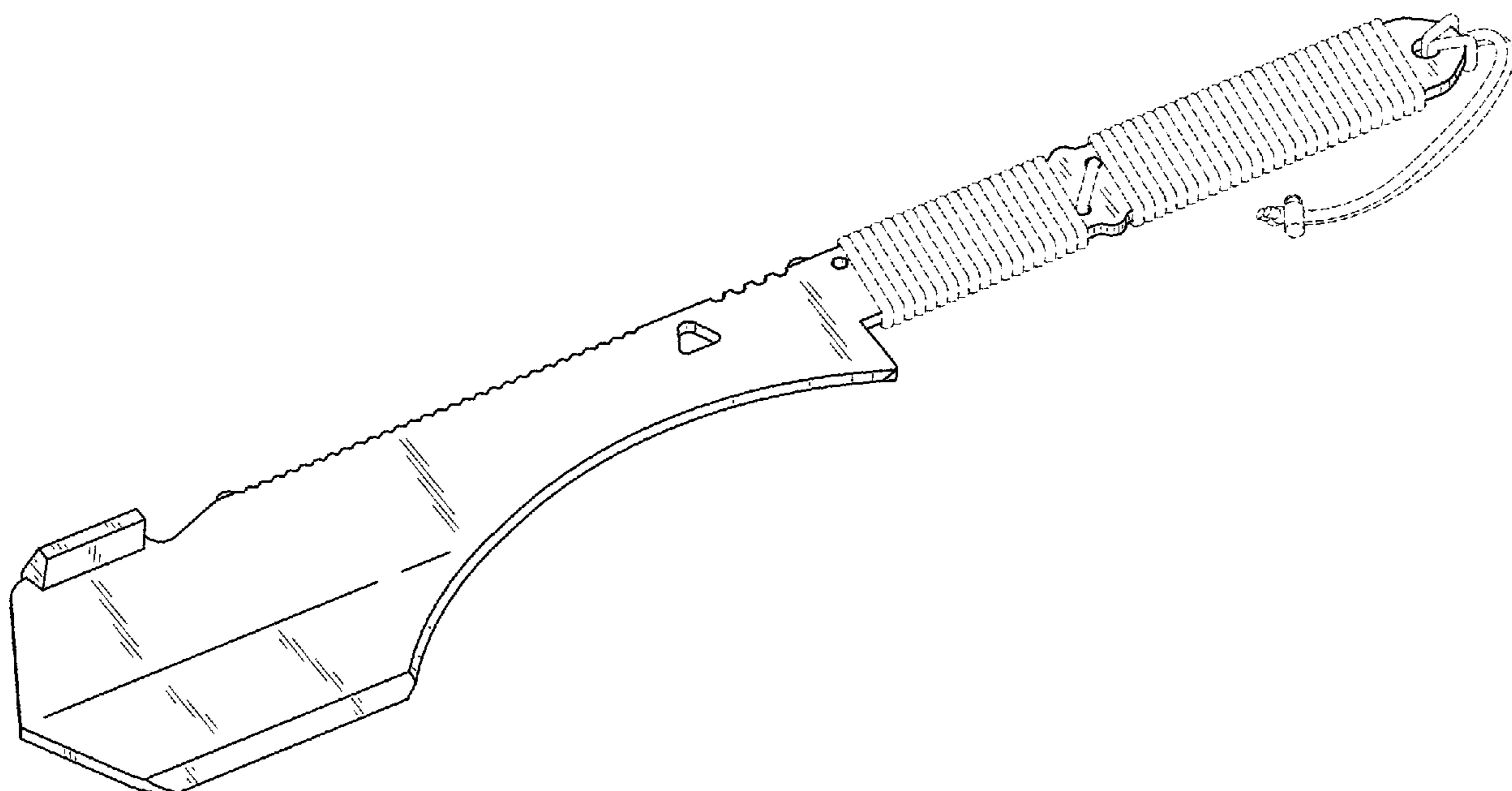
The ornamental design for a multiple purpose utility tool, as shown and described.

DESCRIPTION

FIG. 1 is a front, bottom, and right side perspective view of the multiple purpose utility tool showing my new design. FIG. 2 is a rear, top, and left side perspective view thereof. FIG. 3 is bottom plan view thereof. FIG. 4 is a top plan view thereof. FIG. 5 is a right side elevational view thereof. FIG. 6 is a left side elevational view thereof. FIG. 7 is a front elevation view thereof; and, FIG. 8 is rear elevation view thereof.

The broken lines shown in FIGS. 1-8 depict environmental subject matter, are for illustration only, and form no part of the claimed design.

1 Claim, 5 Drawing Sheets



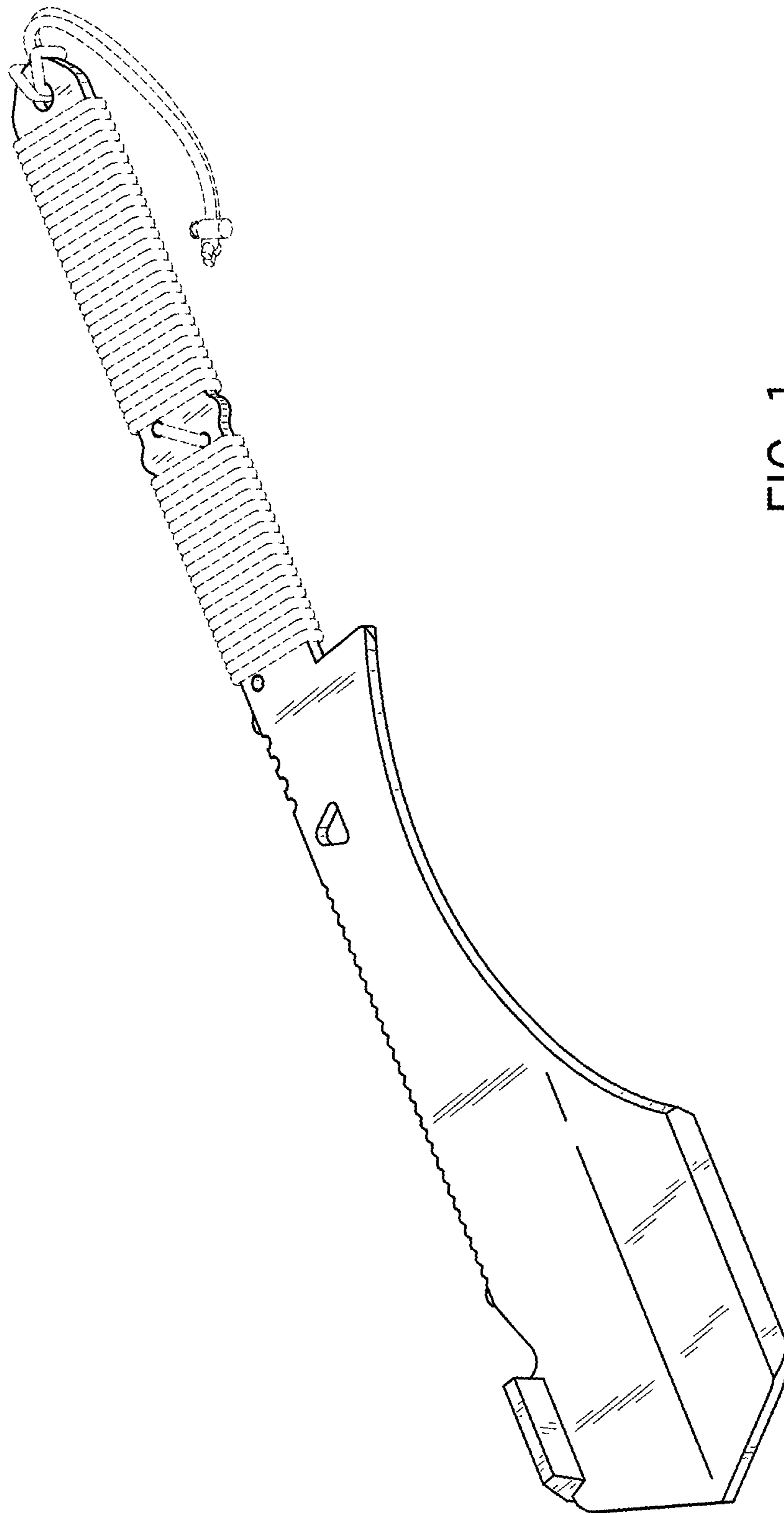


FIG. 1

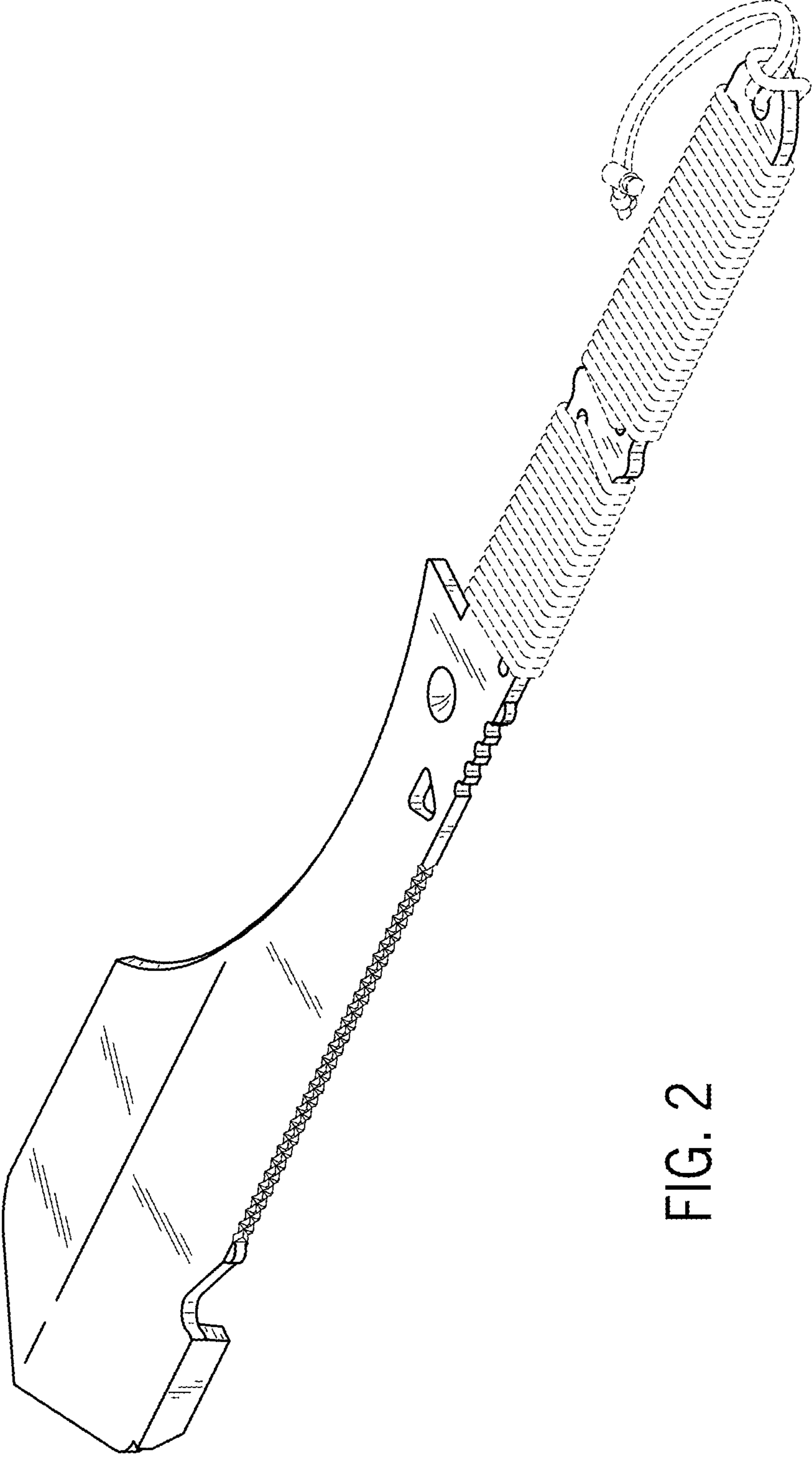


FIG. 2

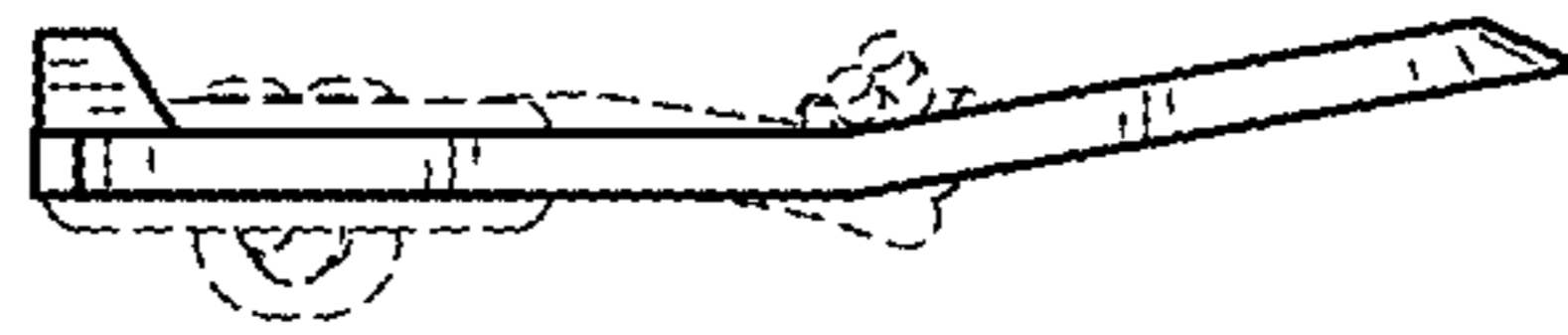


FIG. 3



FIG. 4

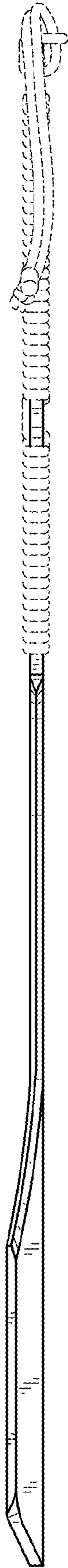


FIG. 5

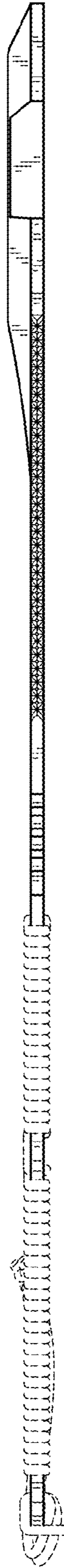


FIG. 6

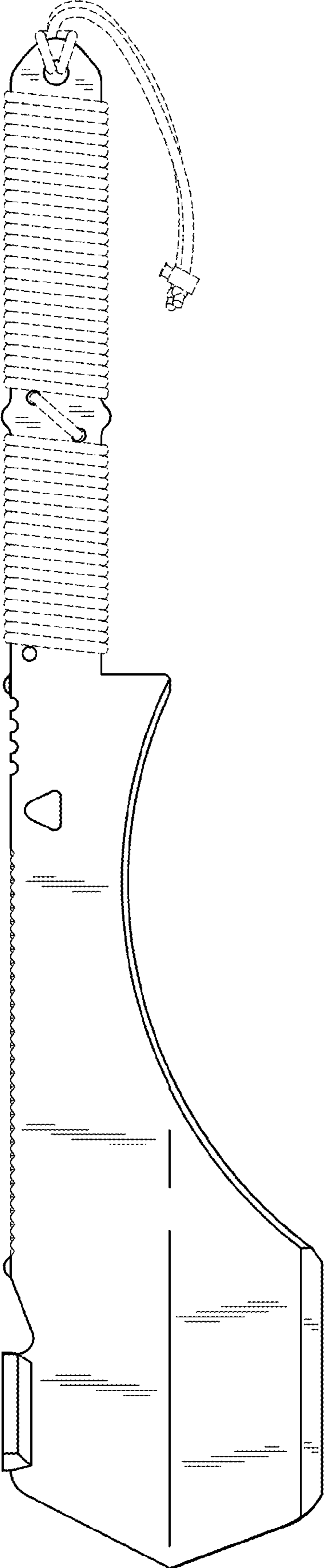


FIG. 7

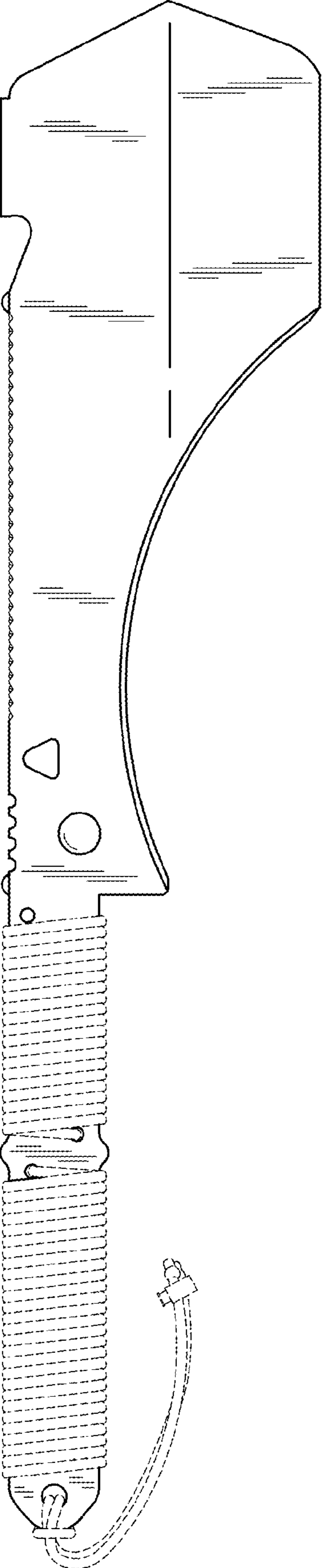


FIG. 8