



US00D894707S

(12) **United States Design Patent** (10) **Patent No.:** **US D894,707 S**
Hall (45) **Date of Patent:** **** Sep. 1, 2020**

(54) **POCKET HOLE JIG**

FOREIGN PATENT DOCUMENTS

(71) Applicant: **Taylor James Hall**, Palatine, IL (US)

CA 2 542 223 A1 10/2006
CN 101100072 A 1/2008

(72) Inventor: **Taylor James Hall**, Palatine, IL (US)

(Continued)

(73) Assignee: **NOMIS LLC**, Palatine, IL (US)

OTHER PUBLICATIONS

(**) Term: **15 Years**

Kreg R3 Master System With Pocket Hole Screw Starter Kit, first available date Oct. 6, 2018 [Online], [Site Visited Apr. 9, 2020] Available From Internet, URL: <https://www.amazon.com/Master-System-Pocket-Screw-Starter/dp/B07J32RGV5/ref=sr_1_6?dchild=1&keywords=pocketjig+200+2&qid=1586539356&s=hi&sr=1-6> (Year: 2018).*

(21) Appl. No.: **29/684,050**

(Continued)

(22) Filed: **Mar. 18, 2019**

(51) **LOC (12) Cl.** **08-05**

(52) **U.S. Cl.**
USPC **D8/71; D15/138; D15/140**

(58) **Field of Classification Search**
USPC D08/70, 71, 74, 101; D10/64, 65;
D15/122, 132, 138, 139, 140; 269/204;
408/103
CPC B23B 47/287; B23B 47/28; B23B 49/005;
B23B 39/06; B23B 45/14; B23B 2247/10
See application file for complete search history.

Primary Examiner — Jeffrey D Asch
Assistant Examiner — Donald B Rose, Jr.
(74) *Attorney, Agent, or Firm* — ReinhartBoerner Van Deuren P.C.

(56) **References Cited**

(57) **CLAIM**

U.S. PATENT DOCUMENTS

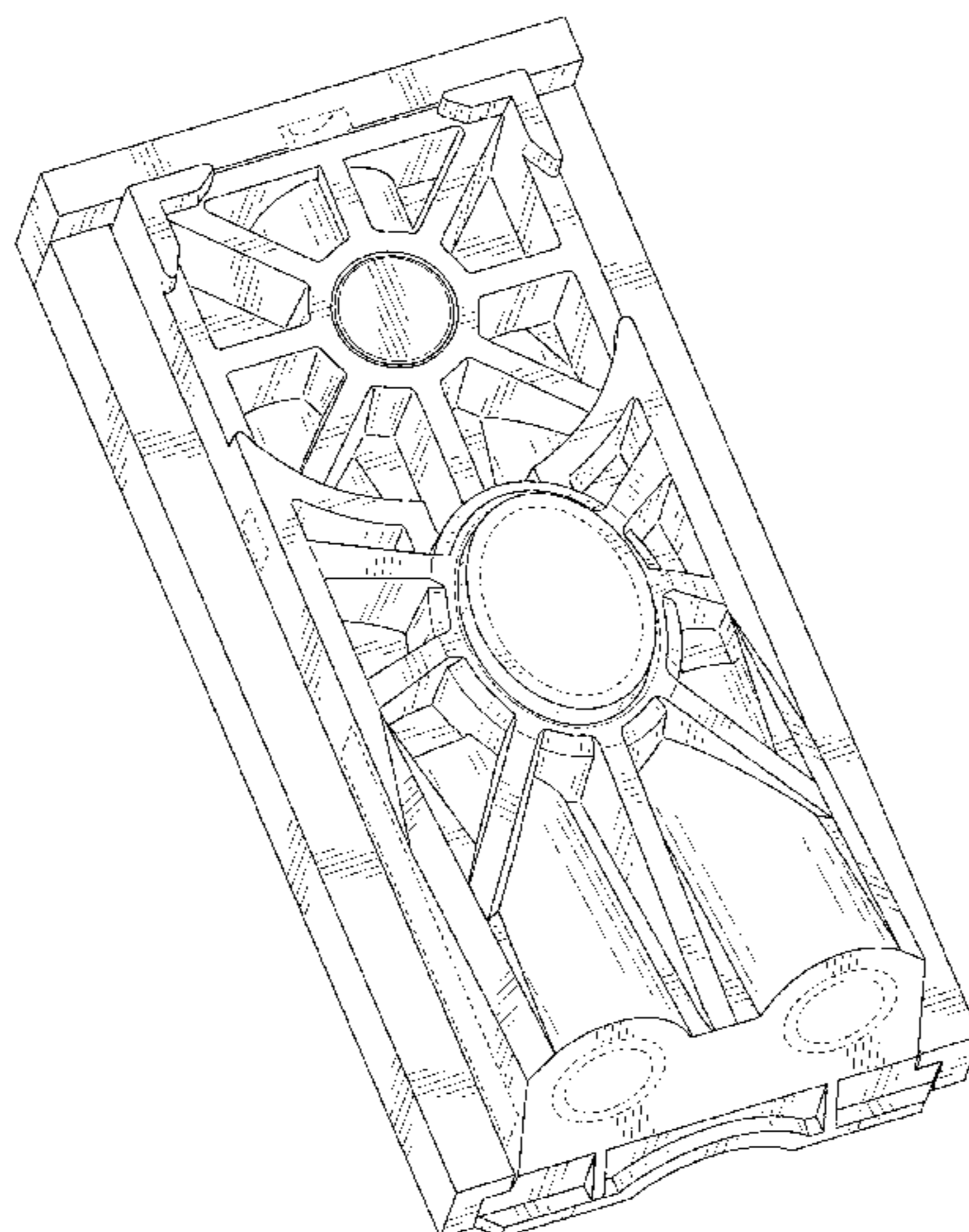
I claim the ornamental design for a pocket hole jig, as shown and described.

- 3,063,707 A * 11/1962 Kelley B25B 1/125
269/204
- 4,842,453 A 6/1989 Raines et al.
- 4,955,766 A 9/1990 Sommerfeld
- D343,628 S * 1/1994 Sciholtz D15/136
- D350,548 S 9/1994 Bosten et al.
- 5,375,636 A 12/1994 Bosten et al.
- 5,407,307 A 4/1995 Park
- 5,676,500 A 10/1997 Sommerfeld
- 5,791,835 A 8/1998 Chiang et al.
- 6,254,320 B1 7/2001 Weinstein et al.
- 6,394,712 B1 5/2002 Weinstein et al.
- 6,481,937 B1 11/2002 Sommerfeld et al.
- D481,402 S 10/2003 Jenkins et al.
- 6,637,988 B1 10/2003 Park
- 6,659,695 B2 12/2003 Park
- 6,726,411 B2 4/2004 Sommerfeld et al.
- D503,415 S 3/2005 Dembicks et al.

DESCRIPTION

FIG. 1 is a perspective view of the pocket hole jig;
FIG. 2 is a perspective view thereof
FIG. 3 is a rear view thereof;
FIG. 4 is a front view thereof;
FIG. 5 is a side view thereof;
FIG. 6 is a side view thereof showing the side opposite that shown in FIG. 5;
FIG. 7 is a top view thereof; and,
FIG. 8 is a bottom view thereof.
The broken lines show portions of the pocket hole jig that form no part of the claimed design.

1 Claim, 7 Drawing Sheets



(56)

References Cited

U.S. PATENT DOCUMENTS

D528,930 S * 9/2006 Degen D10/65
 7,101,123 B1 9/2006 Weinstein et al.
 7,134,814 B1 11/2006 Park
 D533,571 S 12/2006 Degen
 D538,622 S 3/2007 Jones et al.
 D567,269 S 4/2008 Netzler
 7,374,373 B1 5/2008 Park
 7,484,914 B1 2/2009 Weinstein et al.
 D590,684 S 4/2009 Budzik
 7,597,513 B2 10/2009 Chiang
 7,641,424 B1 1/2010 Sommerfeld et al.
 7,641,425 B2 1/2010 Sommerfeld et al.
 7,670,089 B2 3/2010 Chiang
 7,798,750 B2 9/2010 Clark
 7,811,033 B2 10/2010 Sommerfeld et al.
 D635,001 S 3/2011 Adkins
 7,967,534 B2 6/2011 McDaniel et al.
 7,976,252 B2 7/2011 McDaniel et al.
 8,029,214 B2 10/2011 McDaniel et al.
 8,052,358 B2 11/2011 McDaniel et al.
 8,083,443 B1 12/2011 Circosta et al.
 D653,269 S 1/2012 Fischer
 8,231,313 B2 7/2012 Sommerfeld et al.
 8,840,345 B1 9/2014 Park
 9,782,837 B2 10/2017 Pelkey
 D809,032 S * 1/2018 Cummings D15/140
 D809,578 S * 2/2018 Cummings D15/140
 9,969,042 B2 5/2018 Clark
 10,022,808 B2 7/2018 Chang
 10,144,068 B1 12/2018 Poole et al.
 10,427,222 B2 * 10/2019 Evatt B23B 47/287
 D872,147 S * 1/2020 Hall D15/140
 2005/0089381 A1 4/2005 Liu et al.
 2006/0206698 A1 9/2006 Foucher et al.
 2006/0228180 A1 10/2006 Sommerfeld et al.
 2007/0280795 A1 12/2007 McDaniel et al.
 2007/0280796 A1 12/2007 McDaniel et al.
 2007/0280797 A1 12/2007 McDaniel et al.
 2008/0075546 A1 3/2008 Lin
 2008/0099101 A1 5/2008 Chiang
 2008/0219786 A1 9/2008 Sommerfeld et al.
 2009/0053003 A1 * 2/2009 Clark B23B 47/287
 408/103
 2011/0164935 A1 7/2011 McDaniel et al.
 2014/0341665 A1 * 11/2014 Clark B23B 47/287
 408/67
 2016/0046001 A1 2/2016 Clark et al.
 2017/0087644 A1 3/2017 Pelkey
 2017/0297119 A1 * 10/2017 Chang B23B 47/287
 2018/0071835 A1 * 3/2018 Poole B23B 47/287
 2018/0214959 A1 * 8/2018 Evatt B23B 47/287
 2018/0214960 A1 * 8/2018 Evatt B23B 47/287
 2018/0290217 A1 * 10/2018 Asimakis B23B 47/287
 2019/0111499 A1 4/2019 Evatt et al.
 2019/0176247 A1 6/2019 Chang
 2019/0308252 A1 * 10/2019 Evatt B23B 47/287
 2019/0329329 A1 * 10/2019 Schaaf B23B 47/287
 2019/0344362 A1 * 11/2019 Hall B23B 47/287
 2020/0030891 A1 * 1/2020 Duginske B23B 47/287

FOREIGN PATENT DOCUMENTS

CN 101152724 A 4/2008
 CN 101157224 A 4/2008
 EP 1595627 A2 11/2005
 EP 1712315 A1 10/2006
 EP 1311364 B1 12/2006
 EP 1862242 A2 12/2007
 EP 1862243 A2 12/2007
 EP 1862244 A2 12/2007
 EP 2174737 A1 4/2010
 EP 2179809 A1 4/2010
 EP 2179810 A1 4/2010

EP 2223761 A1 9/2010
 EP 2223762 A1 9/2010
 WO WO 2014/186595 A1 11/2014
 WO WO 2016/025900 A1 2/2016

OTHER PUBLICATIONS

Kreg Killer 2.0? Milescraft PocketJig200 vs Kreg R3, published on Dec. 23, 2019 by Phil Pinsky Productions, YouTube, [Online], [Site Visited Apr. 9, 2020] Available From Internet, URL:<https://www.youtube.com/watch?v=oUGeGfSx-K4> (Year: 2019).
 Milescraft 1325 PocketJig200, first available date Dec. 19, 2019, [Online], [Site Visited Apr. 21, 2020] Available From Internet, URL:<https://www.amazon.com/Milescraft-1325-PocketJig200-Improved-Complete/dp/B083B31DW6> (Year: 2019).
 U.S. Appl. No. 29/647,363, Hall, filed May 11, 2018.
 U.S. Appl. No. 29/682,608, Hall, filed Mar. 6, 2019.
 U.S. Appl. No. 29/684,048, Hall, filed Mar. 18, 2019.
 U.S. Appl. No. 15/977,736, Hall, filed May 11, 2018.
 Kreg Jig Mini—Simple; Kreg Jig Mini; pages printed from the internet; date last visited Apr. 27, 2016; 6 pages; “https://www.kregtool.com/store/ . . . ”.
 Magnetic Pocket Hole Jig, User Manual, 1 page; known to applicant on or before May 31, 2016.
 PocketJig200—Milescraft; http://www.milescraft.com/product/pocketjigkit200/; date last visited Aug. 7, 2018.
 The Kreg Jig Timeline—Kreg Tool Company; https://www.kregtool.com/about-us/news/company-news/the-kreg-jig-timeline.aspx; date last visited Aug. 7, 2018.
 Kreg Jigs—Joining Solutions—Kreg Tool Company; http://www.kregtool.com/Pocket-Hole-Jigs-Prodlist.html; date last visited Aug. 7, 2018.
 General; Woodworking Tools and Instruments/General Tools/ General Tools & Instruments; https://www.generaltools.com/hand-tools/woodworking-tools; known prior to Mar. 6, 2019.
 Wolfcraft; wolfcraft—Products: Undercover Jig (4642000); https://web.archive.org/web/20120114161005/http://www.wolfcraft.de/jcatalog_generated/e . . . ; known prior to Mar. 6, 2019.
 Blackjack; BlackJack Standard Pocket Hole System; https://web.archive.org/web/20121214124010/http://store.workshopsupply.com/catalogue/bl . . . ; known prior to Mar. 6, 2019.
 Kreg; Innovative Solutions for All of Your Woodworking and DIY Project Needs; https://www.kregtool.com/; known prior to Mar. 6, 2019.
 Milescraft; Pocket Hole, 1321 Pocket Jig 100; http://www.milescraft.com/product/pocketjig100/ ; Jun. 5, 2017
 Milescraft; Instruction Manual Pocketjig100; www.milescraft.com; Mar. 2017.
 Join-A-Jig by the Renovator—Wood Joining System; https://www.amazon.co.uk/Join-Jig-Renovator-Joining-System/dp/B01KTX8FF4; known prior to Mar. 6, 2019.
 Ace Tool Trend Routing Technology; Trend PHJIG Ph/Jig Pocket Hole Jig; https://www.acetool.com/Trend-PHJIG-Ph-Jig-Pocket-Hole-Jig-p/tre-phjig.htm?gclid=CO . . . ; known prior to Mar. 6, 2019.
 Axminster Tools & Machinery; UJK Technology Pocket Hole Jig Complete Kit—Pocket Hole Jigs—Pocket Hole Joinery; https://www.axminster.co.uk/ujk-technology-pocket-hole-jig-complete-kit-717273; known prior to Mar. 6, 2019.
 Impakt; Impakt i2 Pro Pocket Hole Jig Cabinet Assembly System for Woodworking Carpentry; https://www.walmart.com/lp/impakt-i2-Pro-Pocket-Hole-Jig-Cabinet-Assembly-System-for . . . ; known prior to Mar. 6, 2019.
 Impakt; Impakt i1 Woodworking Pocket Hole Jig for 2 inch face frames in 3/4 inch wood; https://www.walmart.com/lp/Impakt-i1-Woodworking-Pocket-Hole-Jig-for-2-inch-face- fra . . . ; known prior to Mar. 6, 2019.
 CMT; CMT Pocket-Hole Jig; https://www.woodmagazine.com/review/joinery-tools-jigs/pocket-hole-jigs/cmt-pocket-hole . . . ; known prior to Mar. 6, 2019.

* cited by examiner

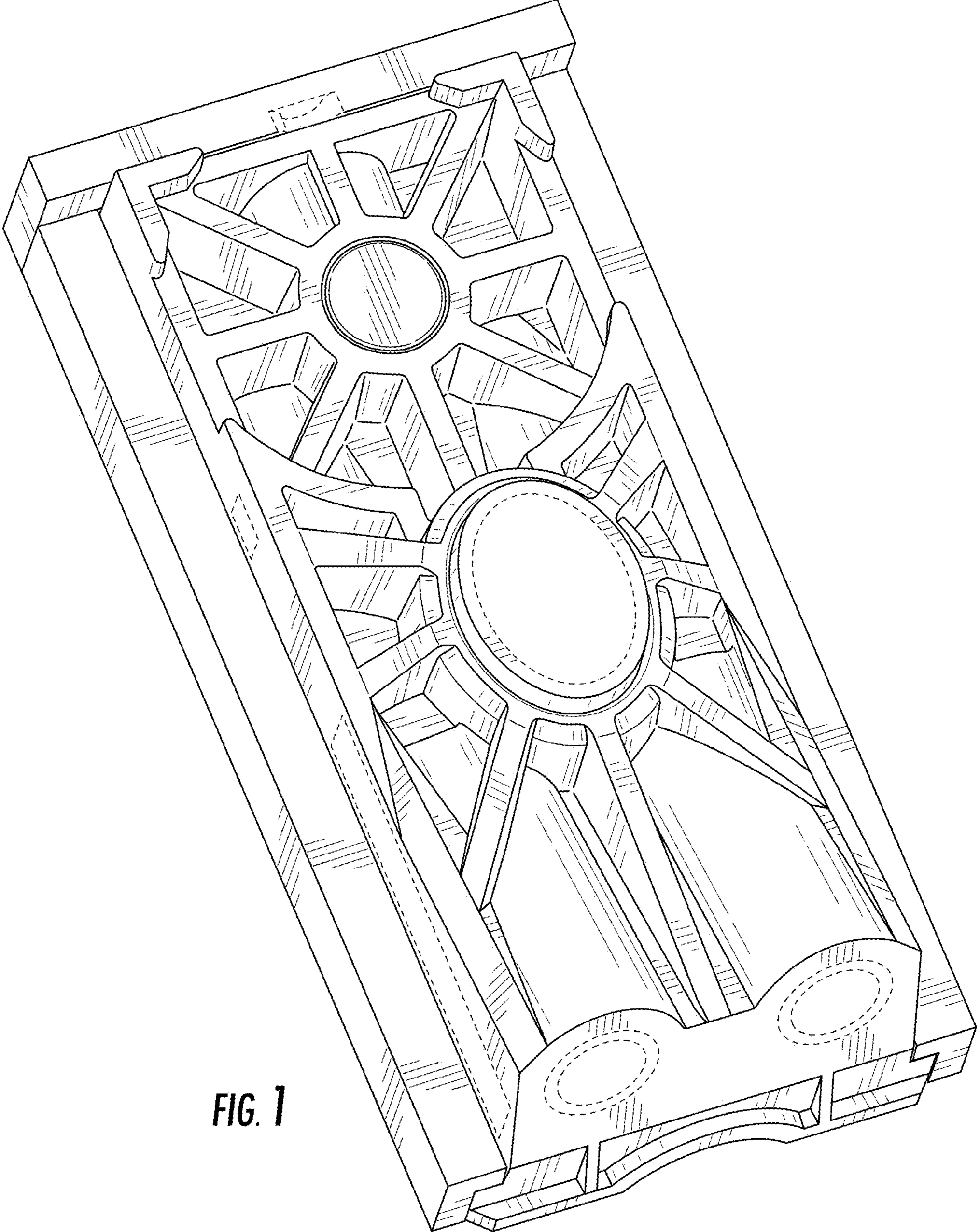


FIG. 1

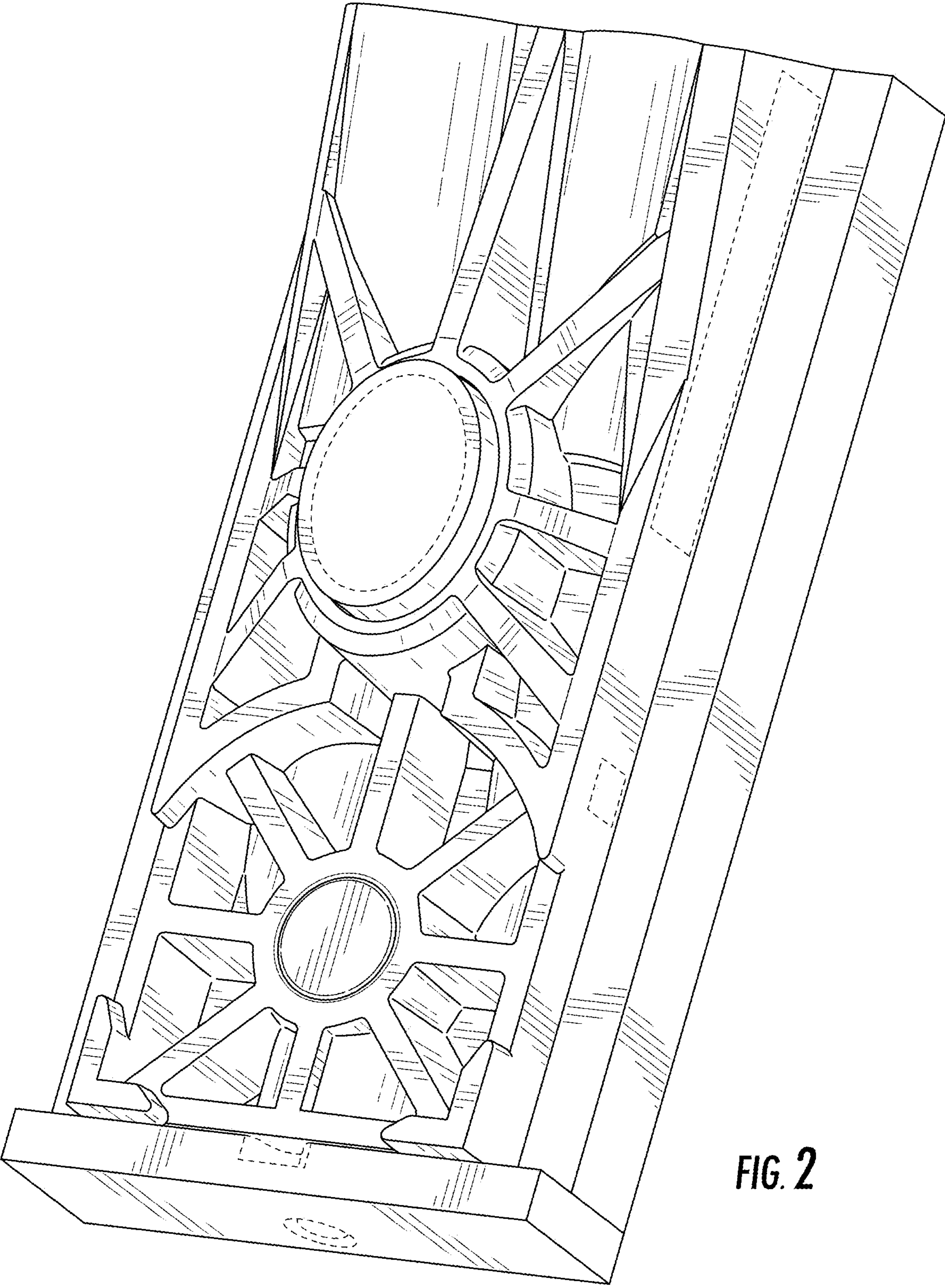


FIG. 2

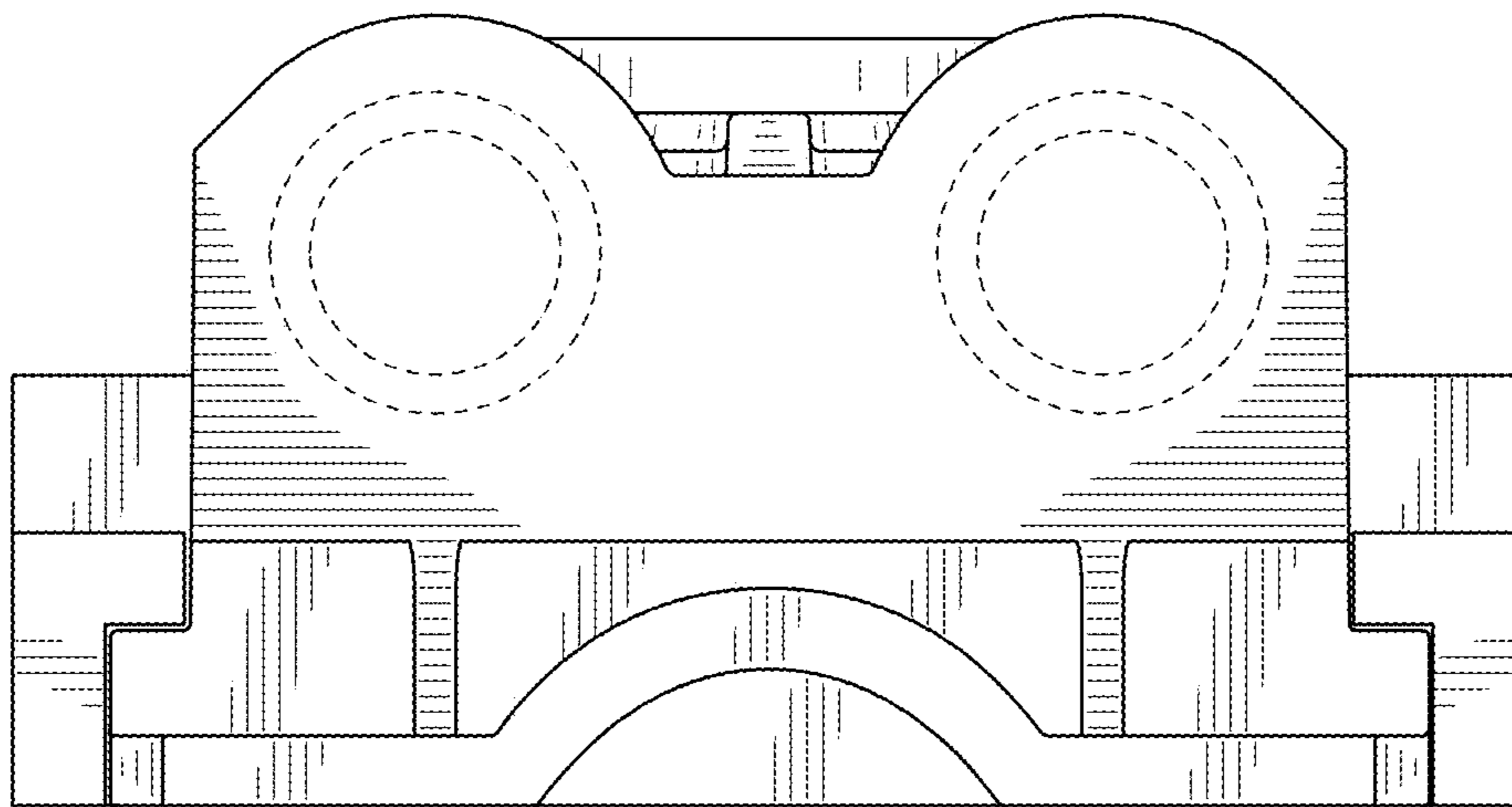


FIG. 3

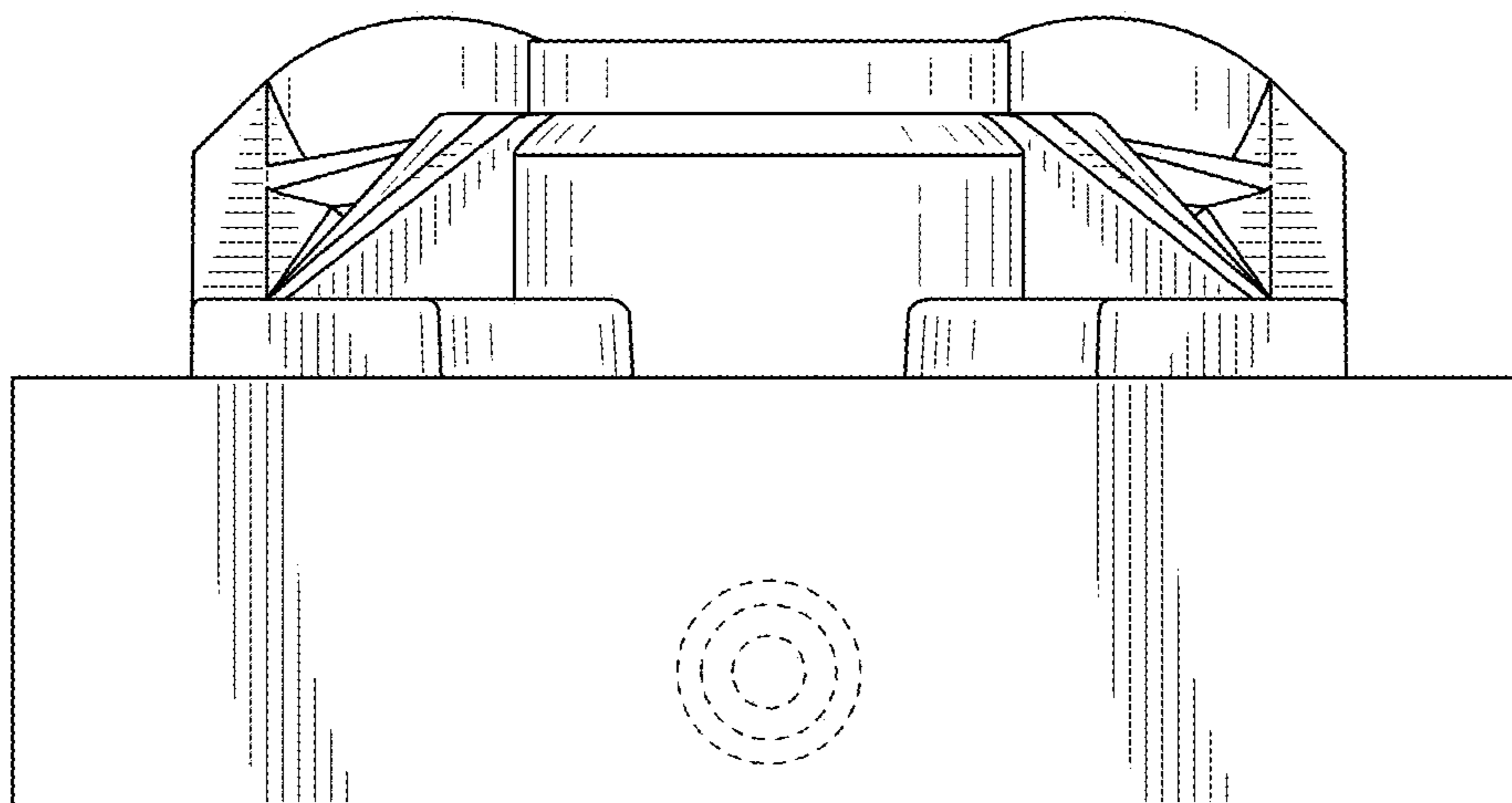


FIG. 4

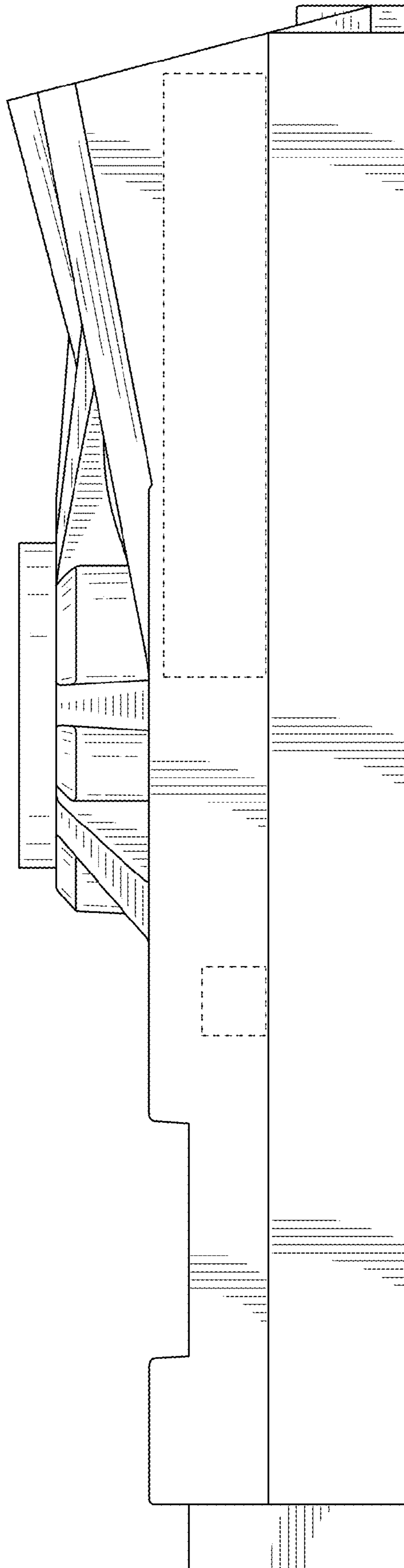


FIG. 5

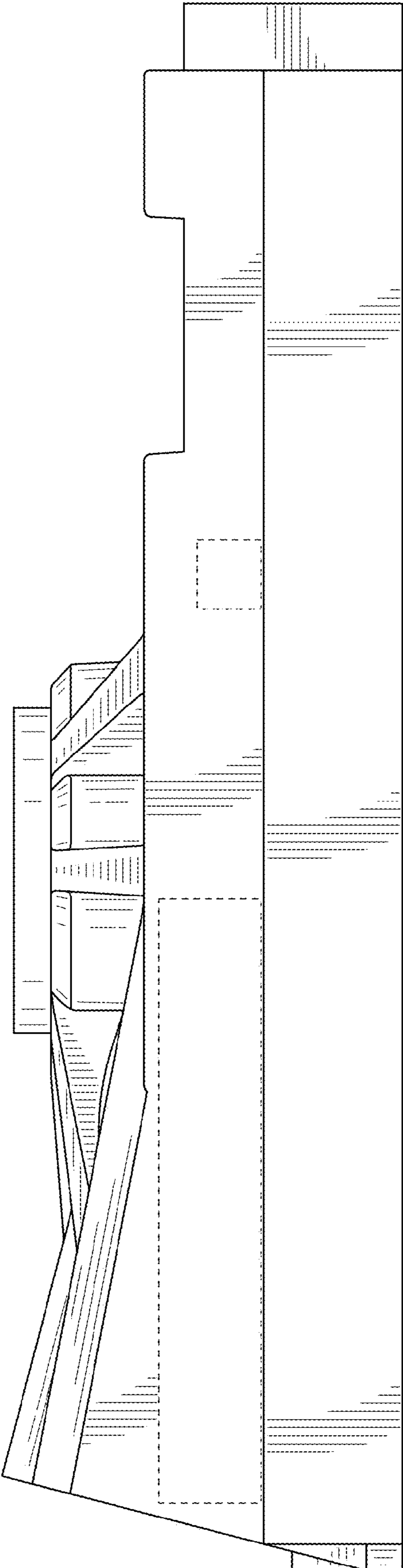


FIG. 6

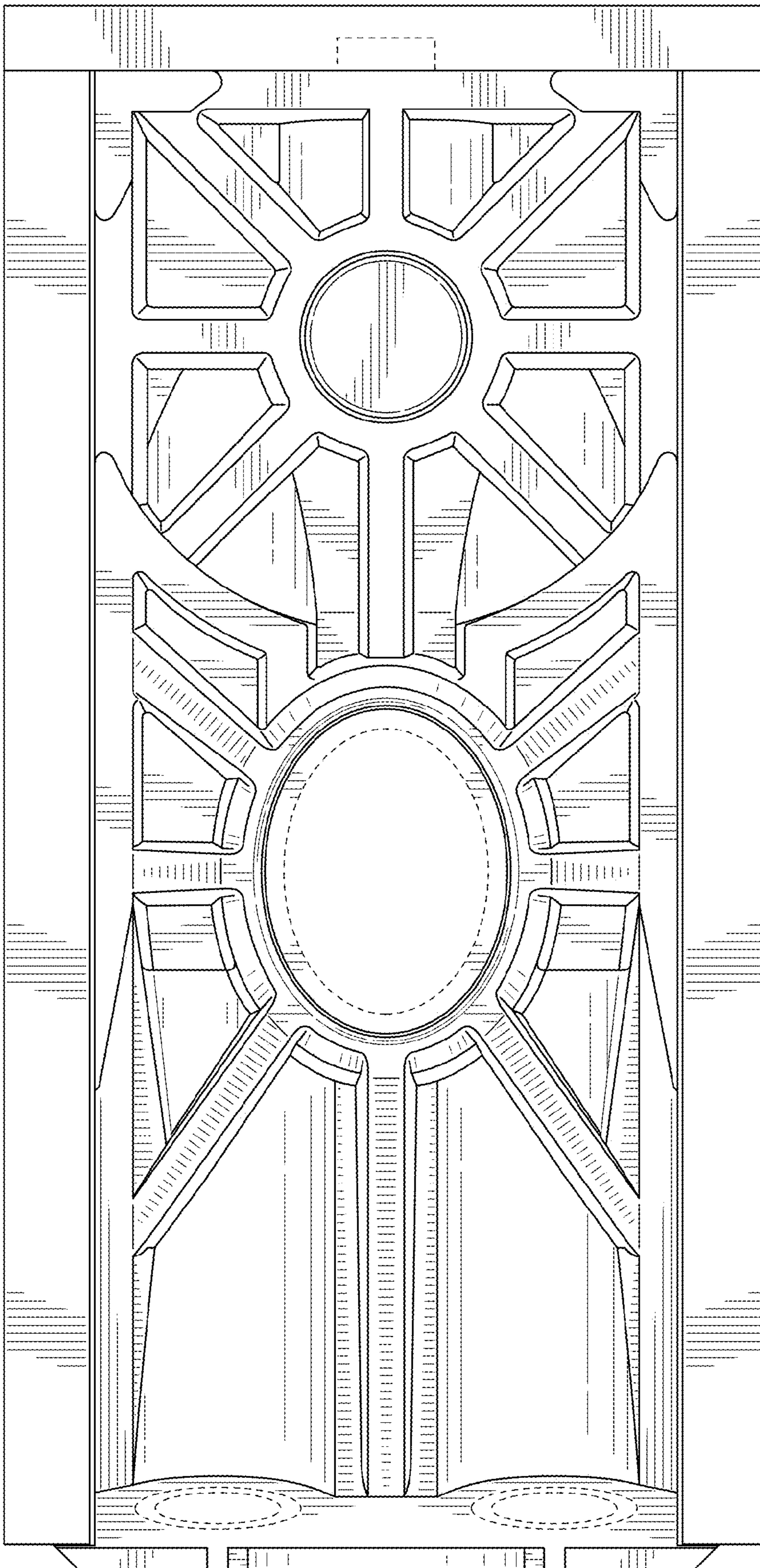


FIG. 7

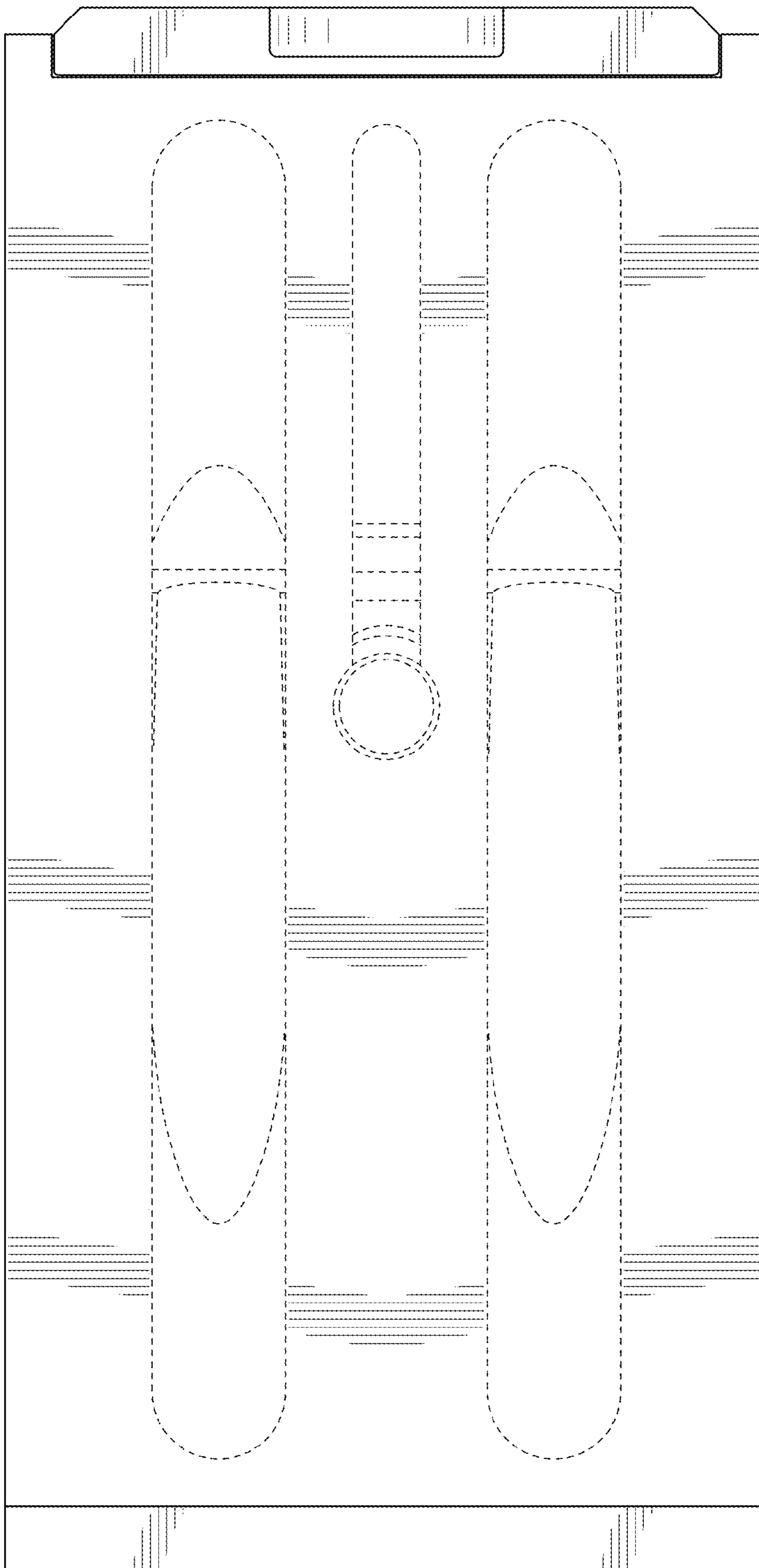


FIG. 8