



US00D894704S

(12) **United States Design Patent**
Sell et al.

(10) **Patent No.:** **US D894,704 S**
(45) **Date of Patent:** **** Sep. 1, 2020**

(54) **HAND-HELD ELECTRIC HAMMER**

(71) Applicant: **Black & Decker Inc.**, New Britain, CT (US)

(72) Inventors: **Stefan Sell**, Mainz (DE); **Isabell Oeffner**, Bad Vilbel (DE)

(73) Assignee: **Black & Decker Inc.**, New Britain, CT (US)

(**) Term: **15 Years**

(21) Appl. No.: **29/647,716**

(22) Filed: **May 15, 2018**

(30) **Foreign Application Priority Data**

Nov. 16, 2017 (EM) 004508968-0001
Nov. 16, 2017 (EM) 004508968-0002

(51) **LOC (12) Cl.** **08-05**

(52) **U.S. Cl.**
USPC **D8/69**

(58) **Field of Classification Search**
USPC D8/14.1, 61-70
CPC B25D 16/00; B25D 17/02; B25D 11/125
See application file for complete search history.

(56) **References Cited**

U.S. PATENT DOCUMENTS

D524,626 S * 7/2006 Stirm D8/69
D527,601 S * 9/2006 Stirm D8/69

D535,537 S * 1/2007 Aglassinger D8/69
D540,642 S * 4/2007 Stirm D8/69
D543,082 S * 5/2007 Stirm D8/69
D575,606 S * 8/2008 Okouchi D8/69
D581,235 S * 11/2008 Aglassinger D8/69
D663,183 S * 7/2012 Sell D8/69
D676,731 S * 2/2013 Aglassinger D8/69
D691,011 S * 10/2013 Walz D8/68
D695,086 S * 12/2013 Walz D8/68
D740,636 S * 10/2015 Koeniger D8/69
2014/0318821 A1 * 10/2014 Wyler B25D 11/125
173/104

* cited by examiner

Primary Examiner — Darlington Ly

(74) *Attorney, Agent, or Firm* — Amir Rohani

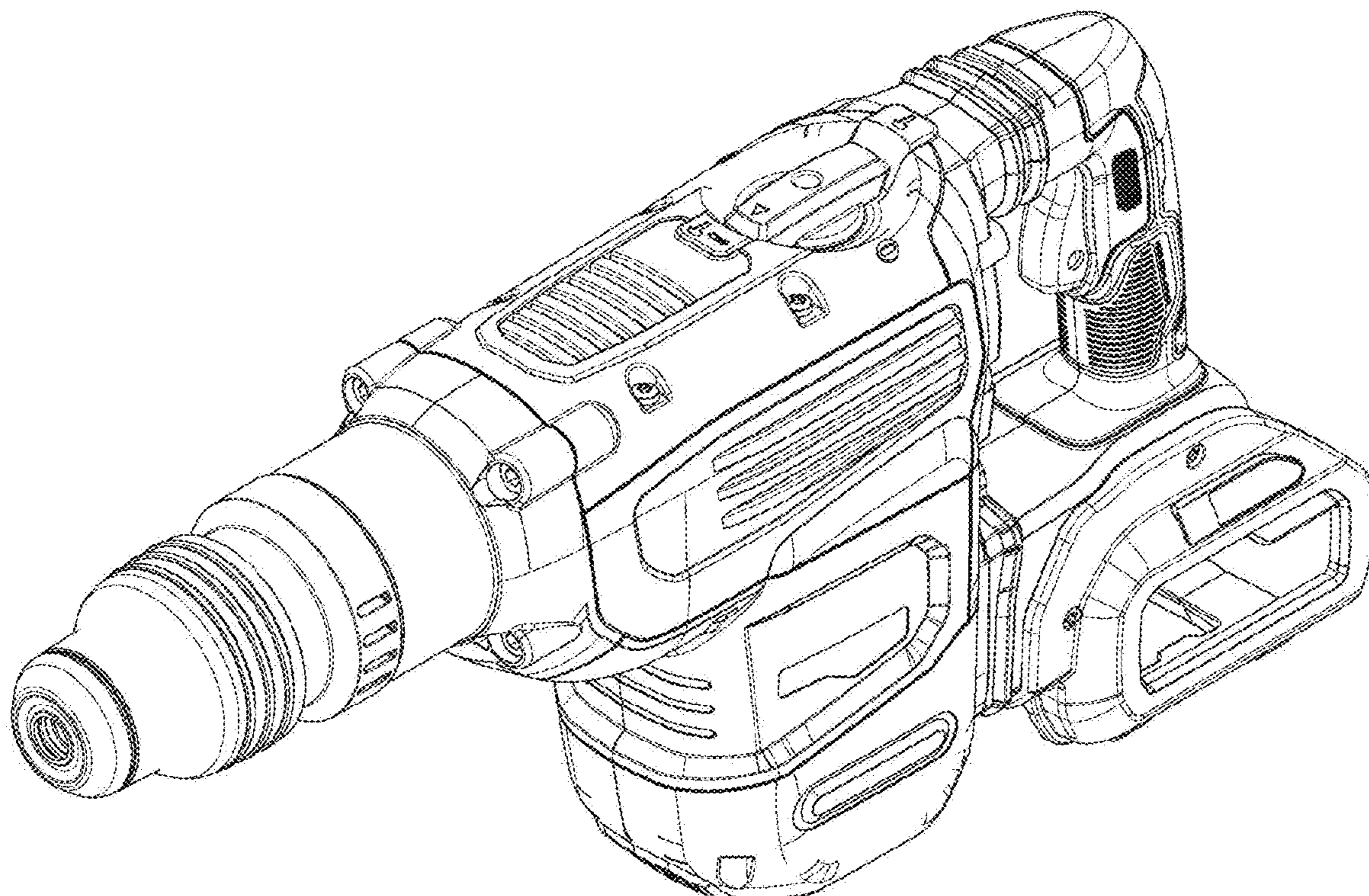
(57) **CLAIM**

The ornamental design for a hand-held electric hammer, as shown and described.

DESCRIPTION

FIG. 1 is a top, front, and right side perspective view of a hand-held electric hammer showing our new design;
FIG. 2 is a right side elevation view thereof;
FIG. 3 is a front elevation view thereof;
FIG. 4 is a top plan view thereof;
FIG. 5 is a left side elevation view thereof;
FIG. 6 is a rear elevation view thereof;
FIG. 7 is a bottom plan view thereof; and,
FIG. 8 is a top, rear, and left side perspective view thereof.

1 Claim, 8 Drawing Sheets



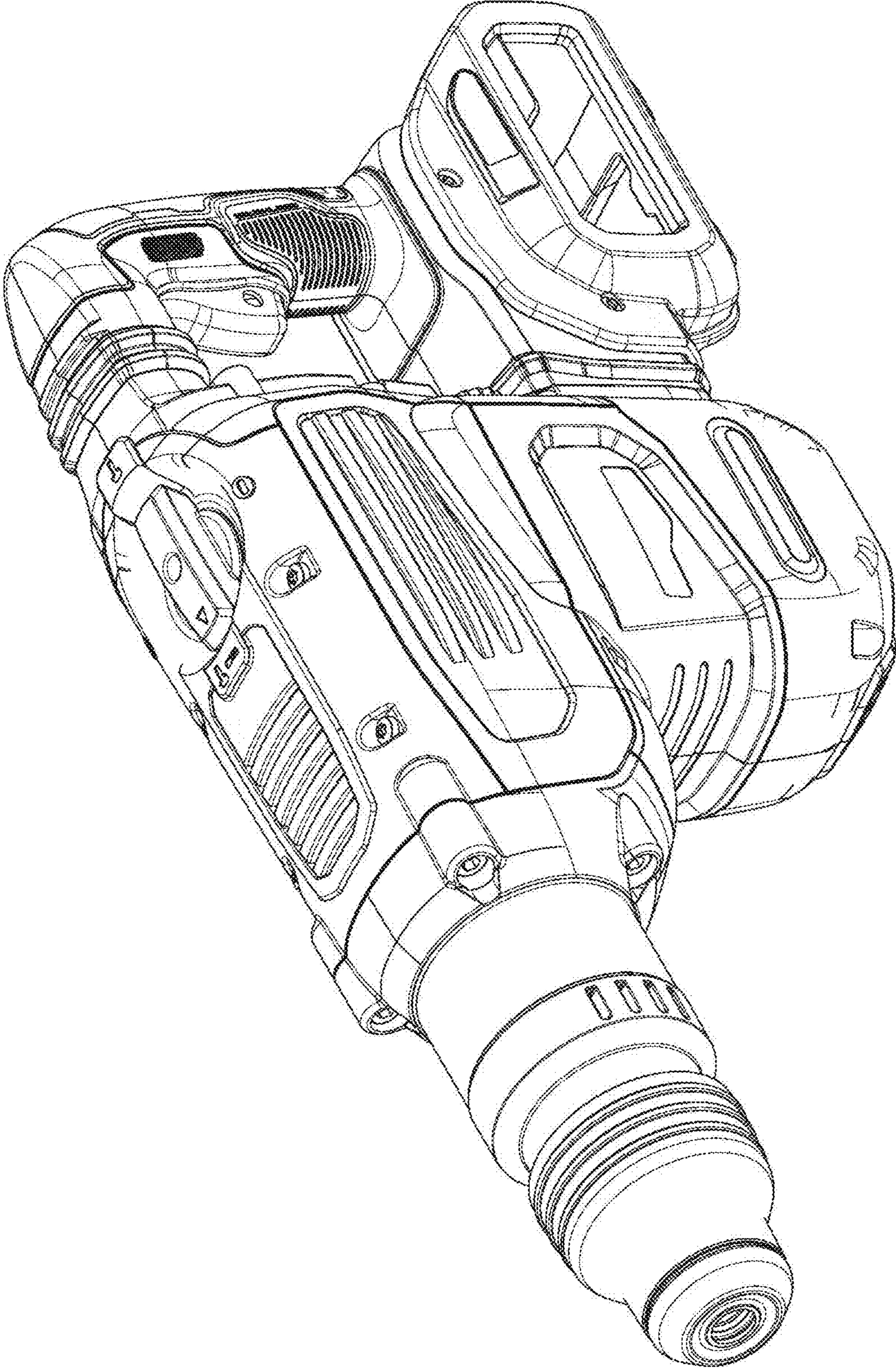


FIG. 1

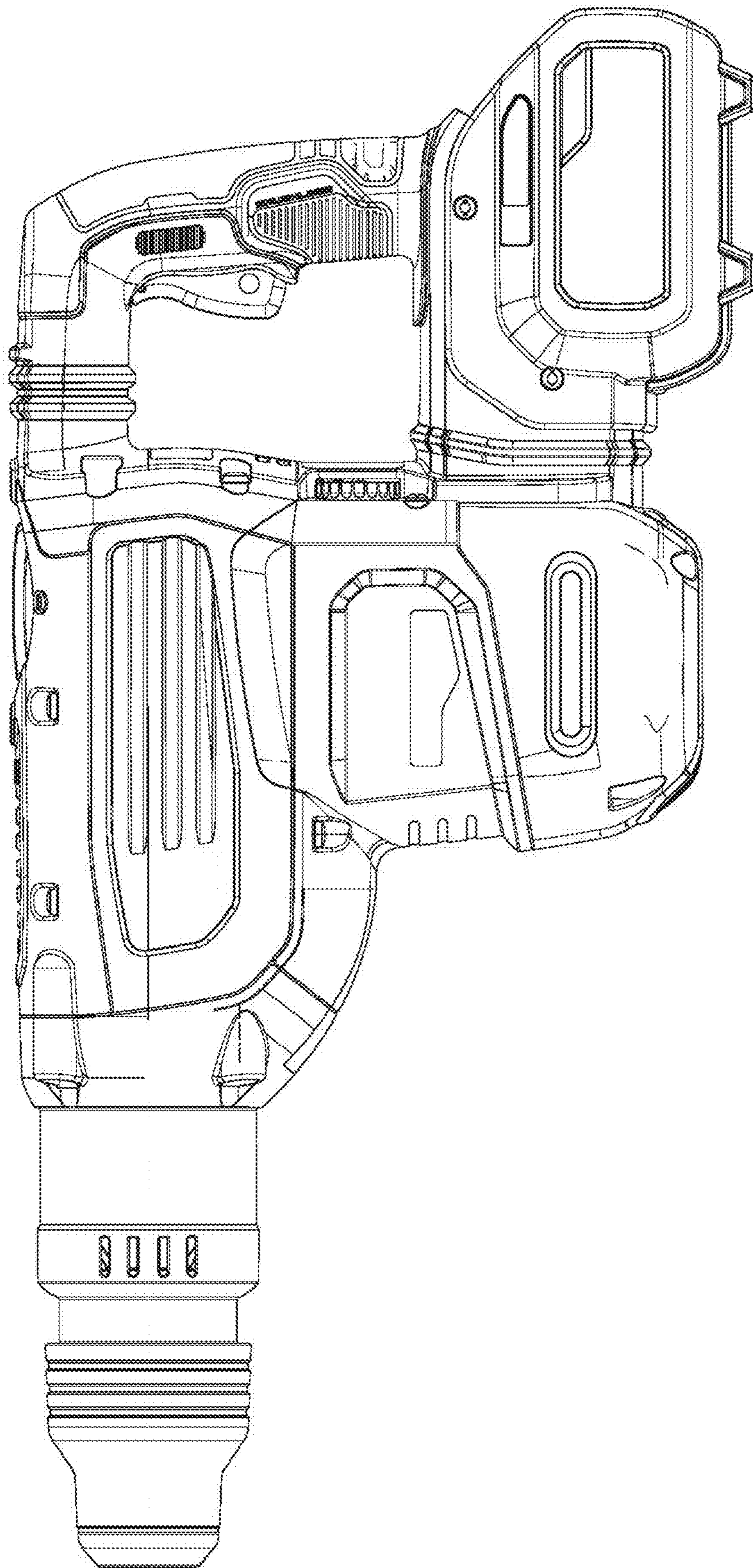


FIG. 2

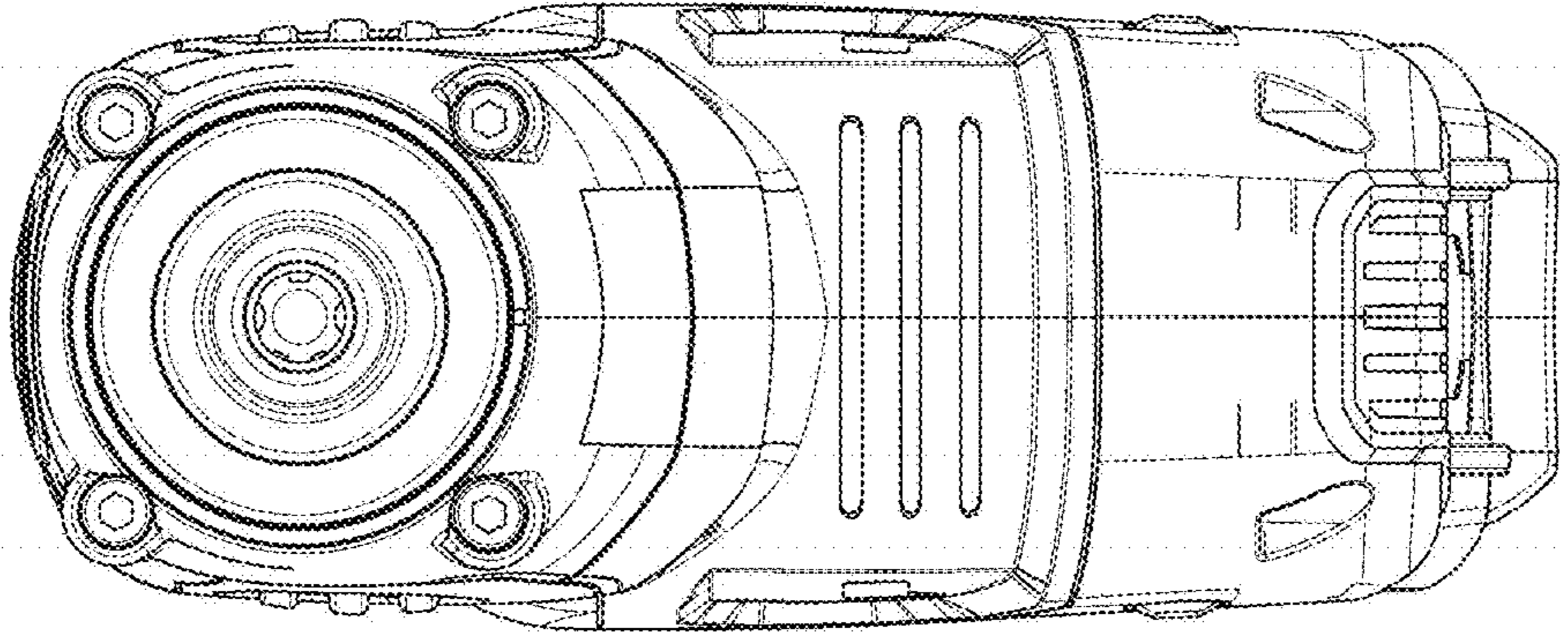


FIG. 3

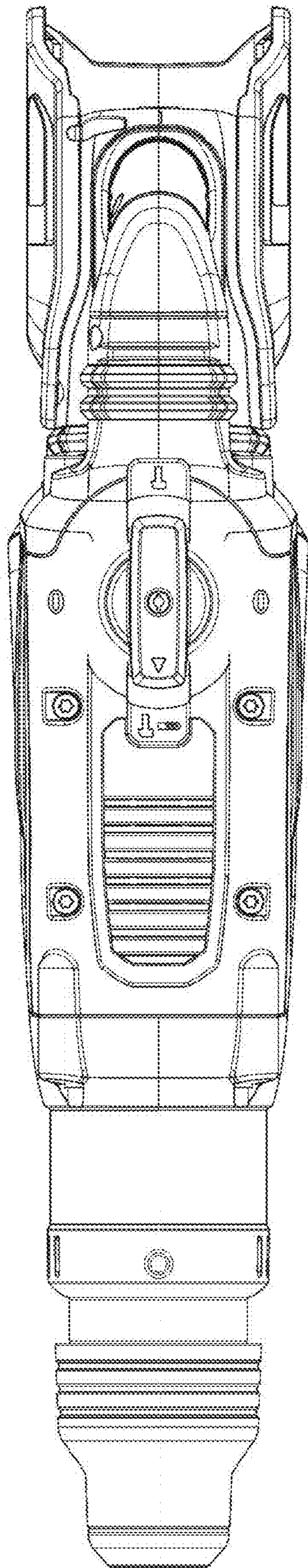


FIG. 4

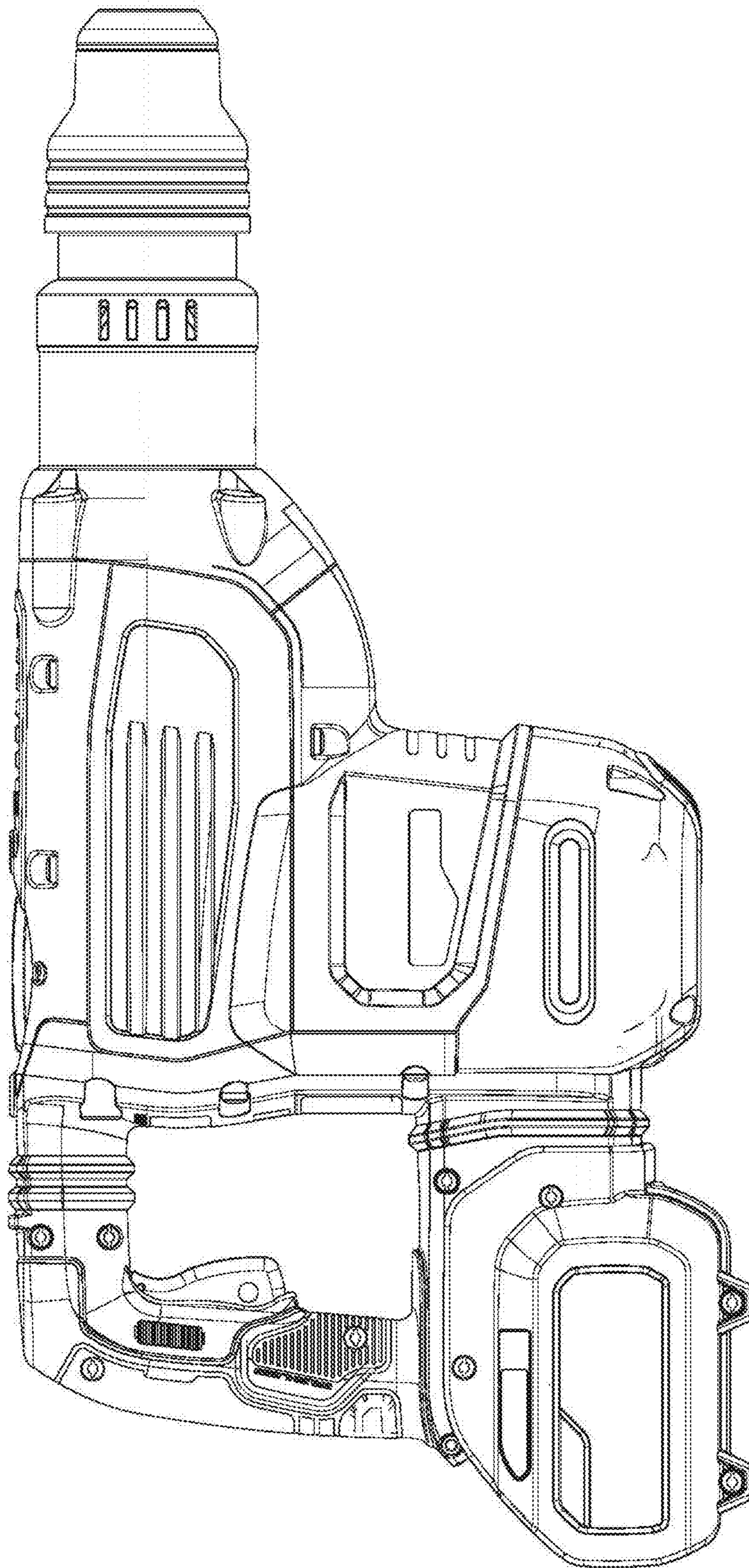


FIG. 5

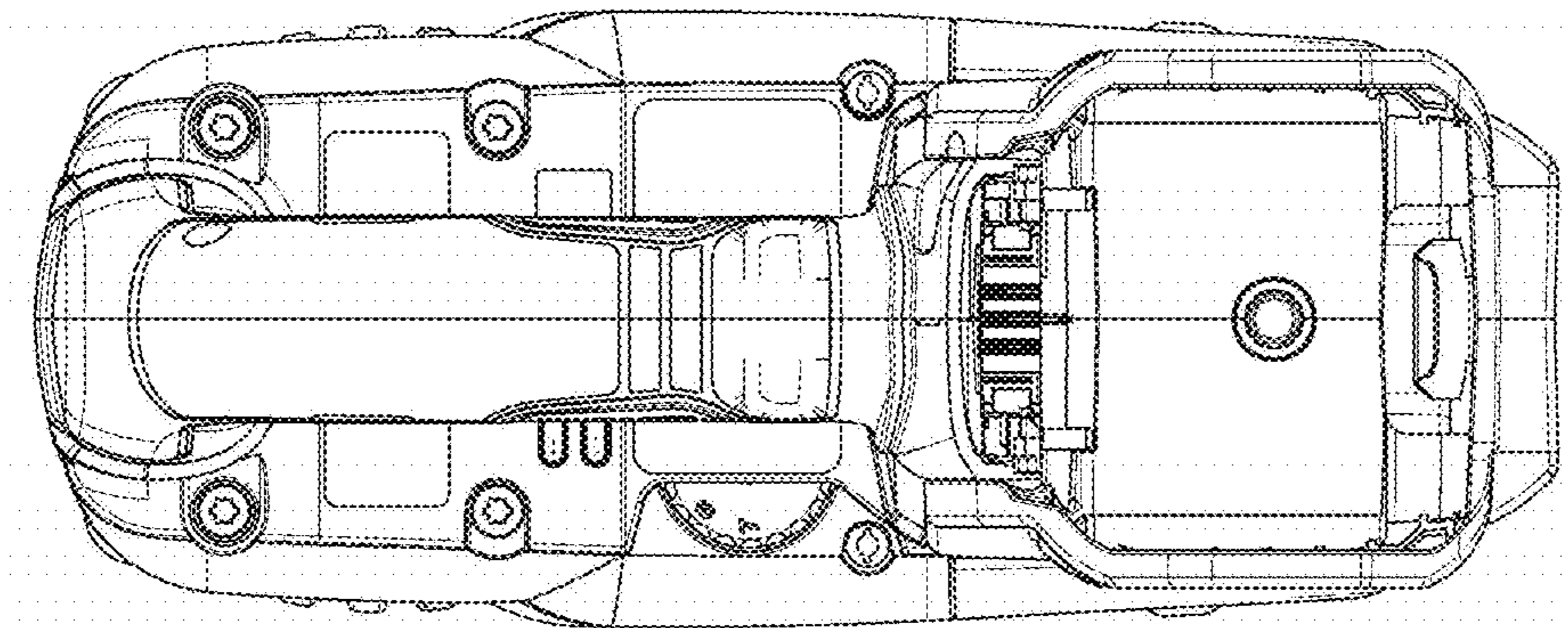


FIG. 6

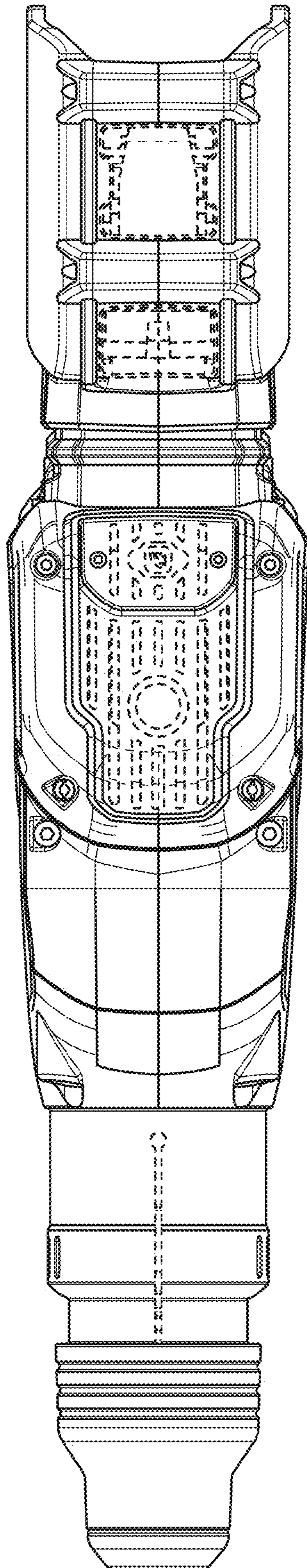


FIG. 7

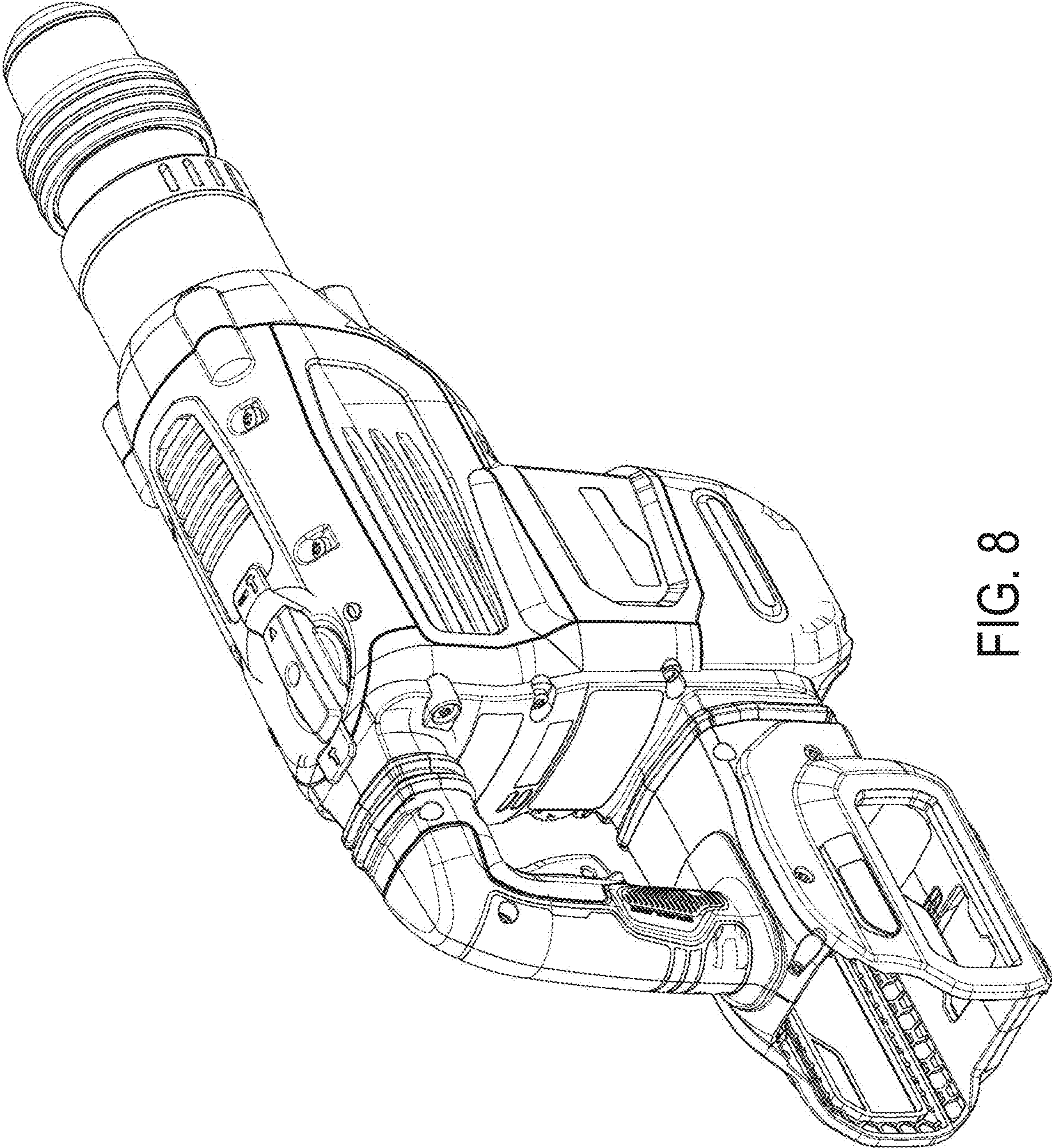


FIG. 8