



US00D894703S

(12) **United States Design Patent** (10) **Patent No.:** **US D894,703 S**
White et al. (45) **Date of Patent:** **** Sep. 1, 2020**

- (54) **SMART TOOL HOUSING**
- (71) Applicant: **Hubbell Incorporated**, Shelton, CT (US)
- (72) Inventors: **Brian McCulloh White**, Manchester, NH (US); **David Heck**, Amherst, NH (US); **Thomas Romeo Faucher**, Manchester, NH (US)
- (73) Assignee: **Hubbell Incorporated**, Shelton, CT (US)
- (**) Term: **15 Years**
- (21) Appl. No.: **29/677,155**
- (22) Filed: **Jan. 17, 2019**
- (51) **LOC (12) Cl.** **08-05**
- (52) **U.S. Cl.**
USPC **D8/68**
- (58) **Field of Classification Search**
USPC D8/61, 67, 68
CPC B62D 23/005; B62D 29/00; B62D 29/043;
B62D 31/00; B62D 33/046; B62D 35/00;
B62D 35/001; B60Q 1/0005
See application file for complete search history.

- 7,111,488 B2 9/2006 Lefavour
- 7,134,314 B1 11/2006 Peterson
- 7,363,799 B2 4/2008 Hamm
- D593,828 S 6/2009 Pond
- 7,578,159 B2 8/2009 Bowles

(Continued)

Primary Examiner — Darlington Ly
(74) *Attorney, Agent, or Firm* — Wissing Miller LLP

(57) **CLAIM**

The ornamental design for a smart tool housing, as shown and described.

DESCRIPTION

FIG. 1 is a top, front, and left side perspective view of a smart tool housing showing our new design in accordance to a first embodiment;

FIG. 2 is a bottom, rear and right side perspective view thereof;

FIG. 3 is a front elevation view thereof;

FIG. 4 is a rear elevation view thereof;

FIG. 5 is a right side elevation view thereof;

FIG. 6 is a left side elevation view thereof;

FIG. 7 is a top plan view thereof; and

FIG. 8 is a bottom plan view thereof.

FIG. 9 is a top, front, and left side perspective view of a smart tool housing showing our new design in accordance to a second embodiment;

FIG. 10 is a bottom, rear and right side perspective view thereof;

FIG. 11 is a front elevation view thereof;

FIG. 12 is a rear elevation view thereof;

FIG. 13 is a right side elevation view thereof;

FIG. 14 is a left side elevation view thereof;

FIG. 15 is a top plan view thereof; and,

FIG. 16 is a bottom plan view thereof.

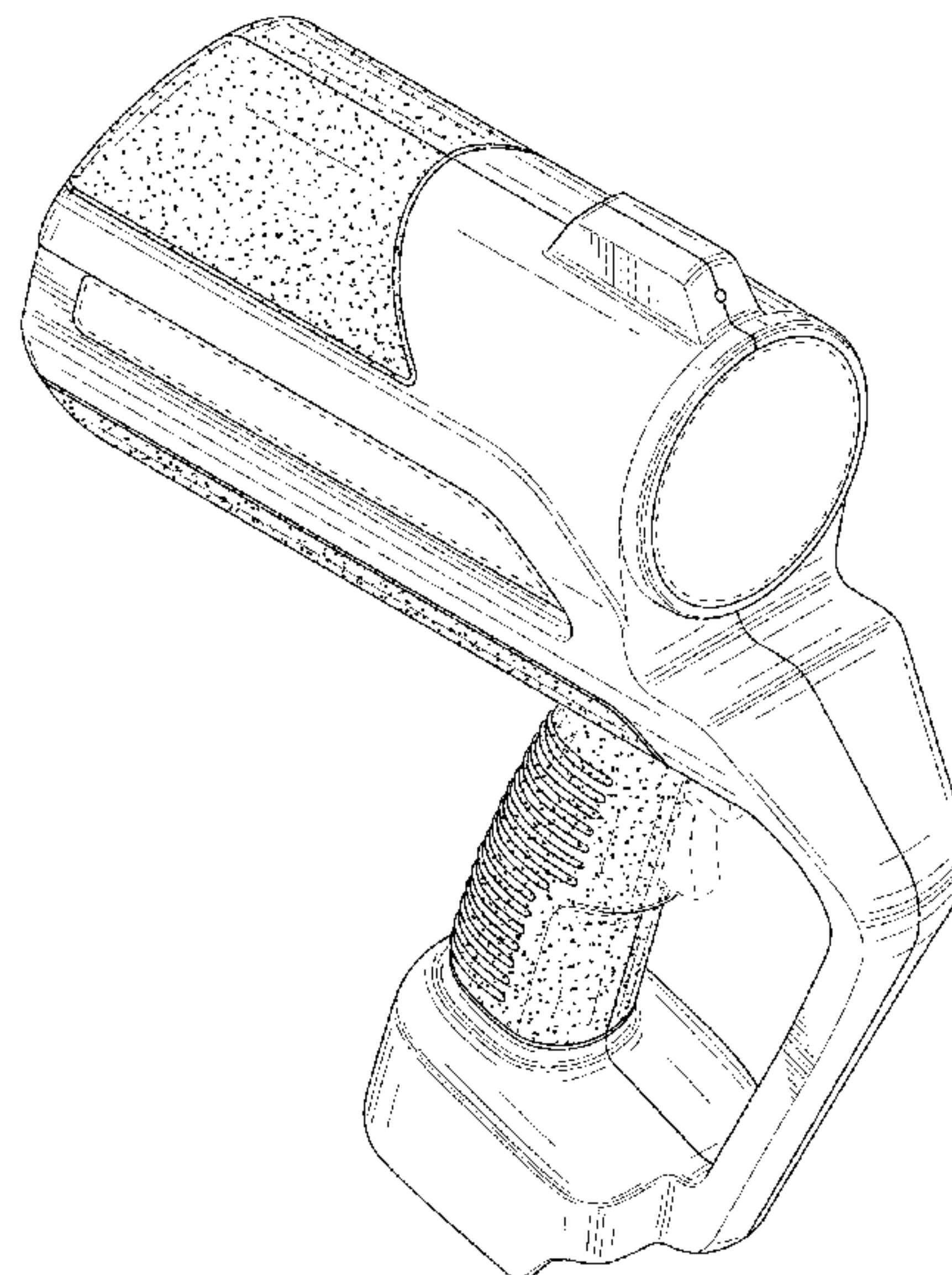
The broken lines in the drawings illustrate portions of the smart tool housing that form no part of the claimed design.

(56) **References Cited**

U.S. PATENT DOCUMENTS

3,386,298 A	6/1968	Klinger	
D332,736 S *	1/1993	Mikiya	D8/68
D356,478 S	3/1995	Heskey	
D378,891 S *	4/1997	Sung	D8/68
D387,961 S	12/1997	Yasui	
D396,620 S *	8/1998	Sung	D8/68
D404,627 S	1/1999	Hirabayashi	
D446,434 S *	8/2001	Ashbaugh	D8/68
6,718,870 B1	4/2004	Frenken	
6,827,156 B1 *	12/2004	Hsiao	B25D 17/245
			173/168
D509,119 S *	9/2005	Schiller	D8/68

1 Claim, 16 Drawing Sheets



(56)

References Cited

U.S. PATENT DOCUMENTS

D608,176	S *	1/2010	Heidelberger	D8/68
D619,438	S *	7/2010	Lee	D8/68
7,762,117	B2	7/2010	Faucher	
7,908,963	B2	3/2011	Frenken	
8,056,473	B2	11/2011	Frenken	
8,240,394	B2 *	8/2012	Kobayashi	B25D 9/18 173/162.1
D668,922	S	10/2012	Hyma	
8,342,001	B2	1/2013	Zhang	
D709,748	S	7/2014	Frenken	
D710,173	S	8/2014	Frenken	
8,997,543	B2	4/2015	Therrien	
D775,505	S *	1/2017	Koeniger	D8/68
D823,088	S	7/2018	Lefavour	
10,109,971	B2	10/2018	Lefavour	
2007/0214859	A1	9/2007	Bowles	
2007/0295053	A1	12/2007	Ruland	
2008/0289394	A1	11/2008	Mitchell	
2009/0313820	A1	12/2009	Roman	
2010/0258609	A1 *	10/2010	Lee	B25C 1/143 227/10
2013/0264085	A1	10/2013	Ciotti	
2014/0332243	A1	11/2014	Baskar	
2016/0167186	A1	6/2016	Chan	
2017/0057040	A1	3/2017	Rzasa	
2017/0302044	A1	10/2017	Lefavour	

* cited by examiner

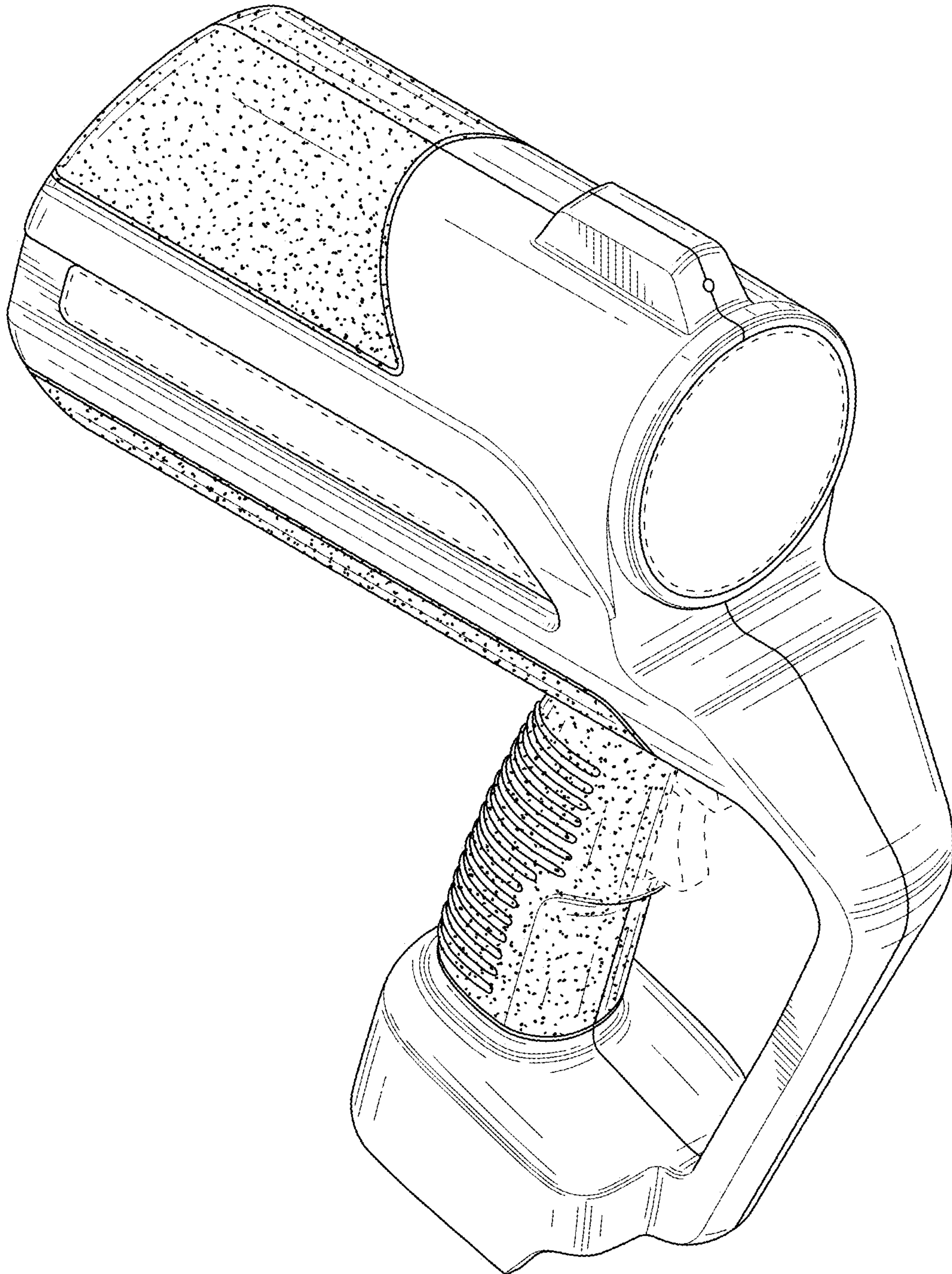


FIG. 1

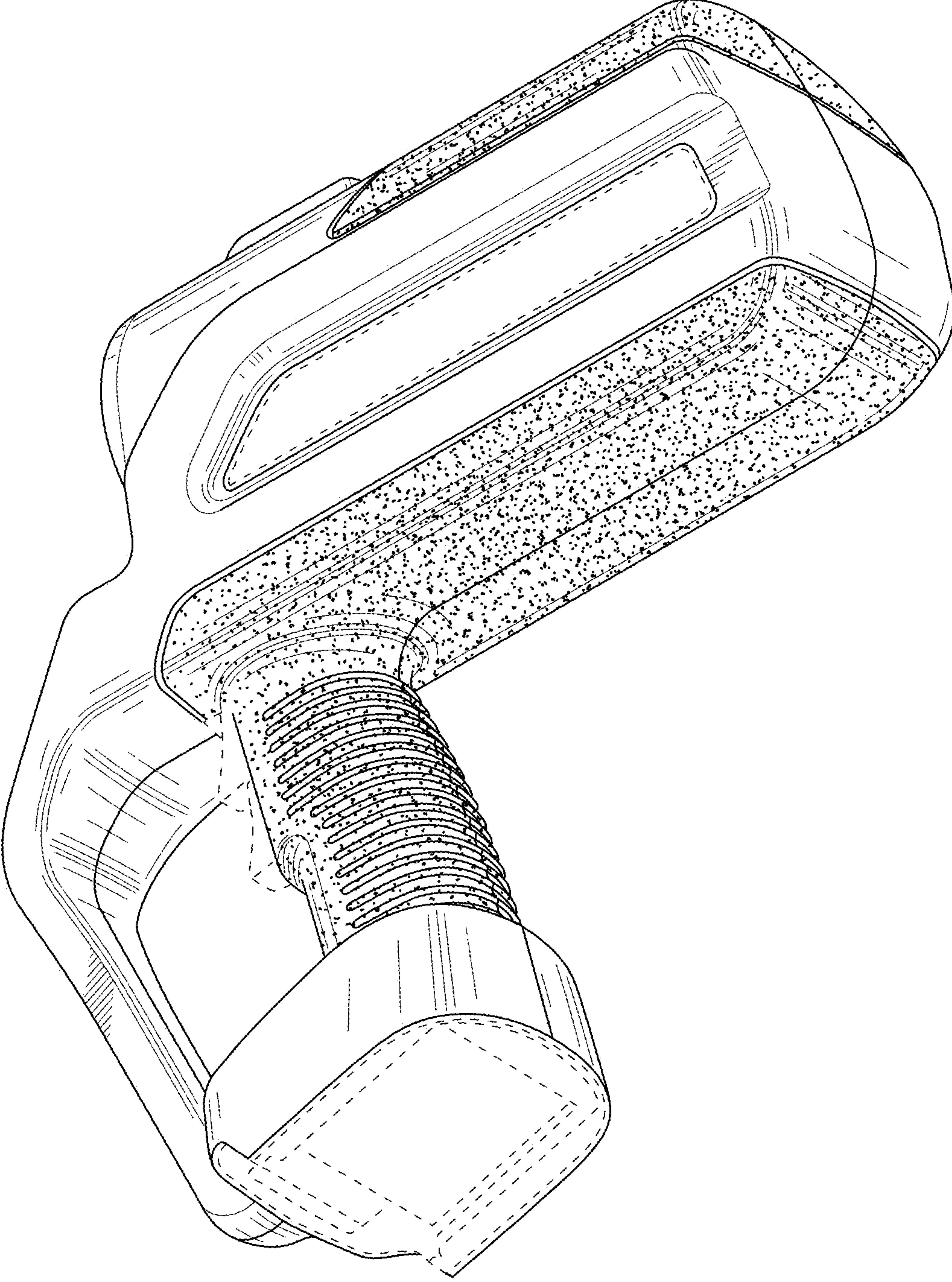


FIG. 2

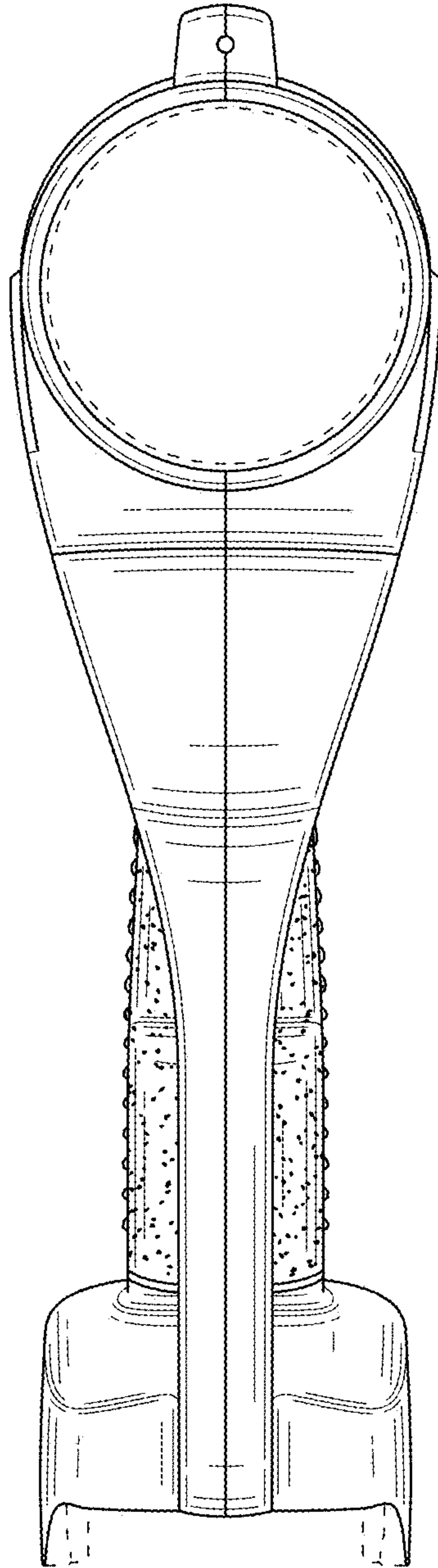


FIG. 3

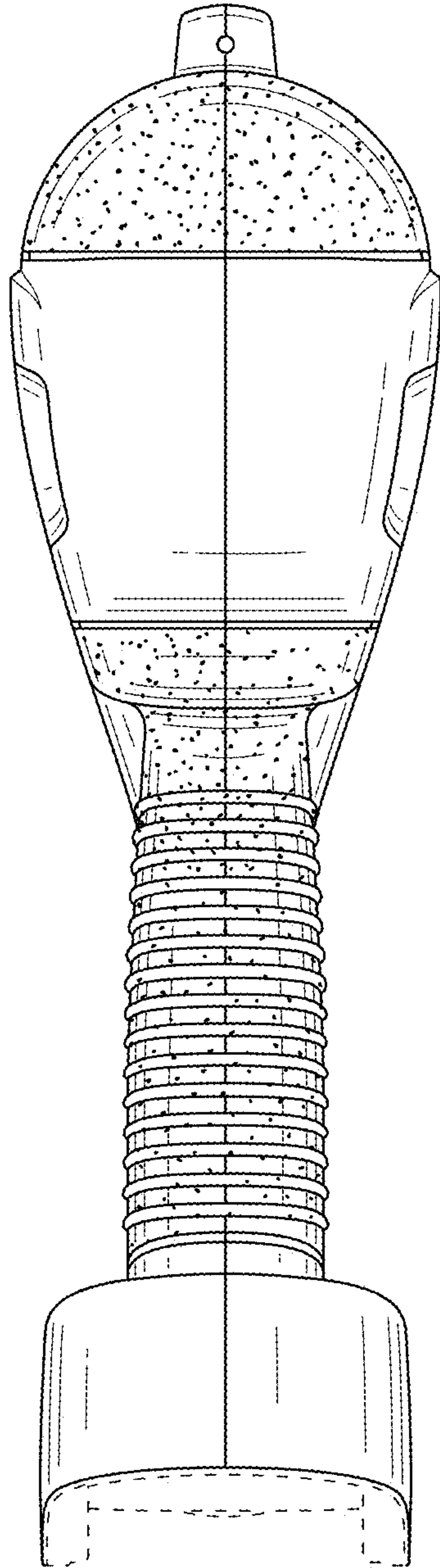


FIG. 4

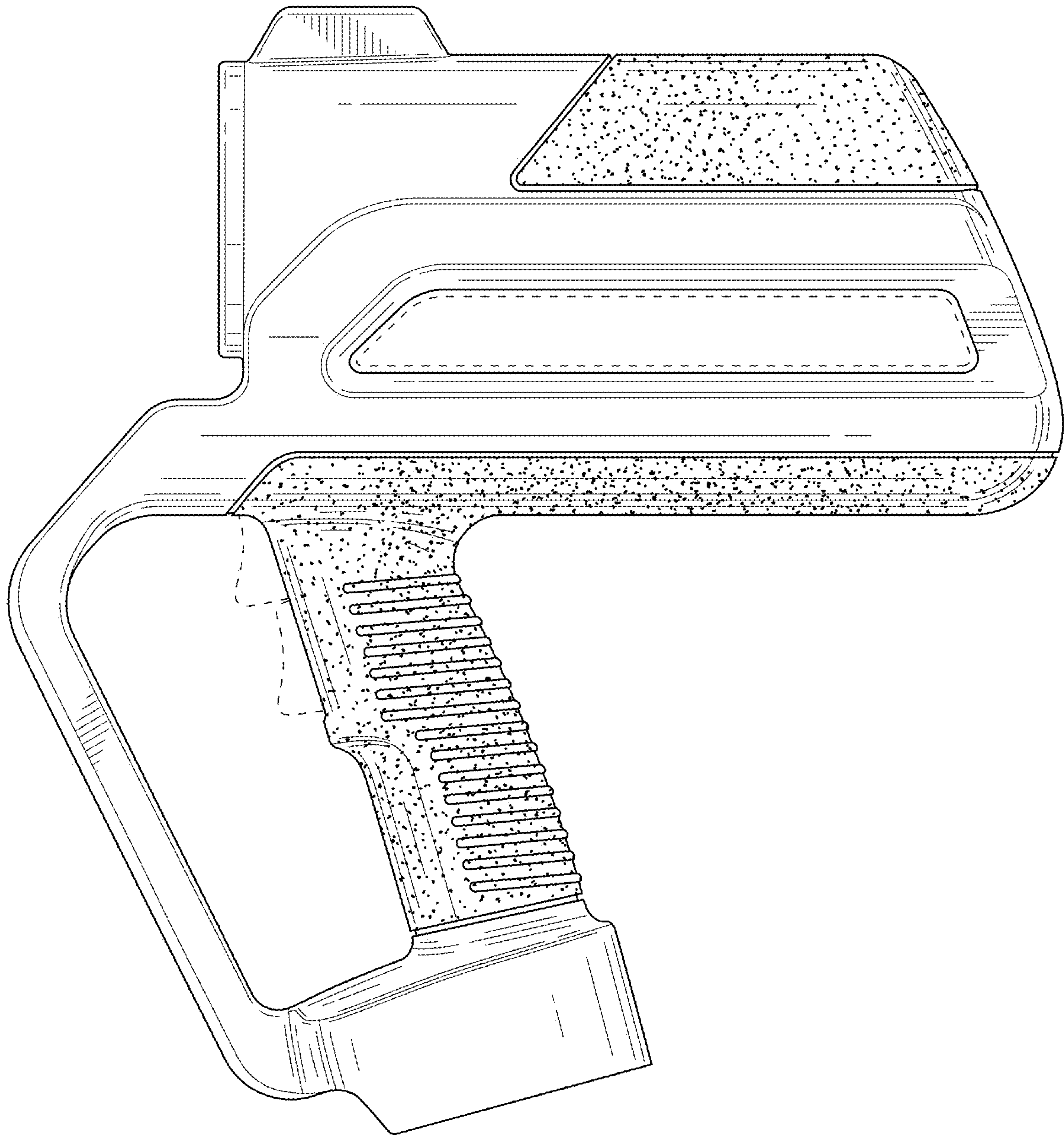


FIG. 5

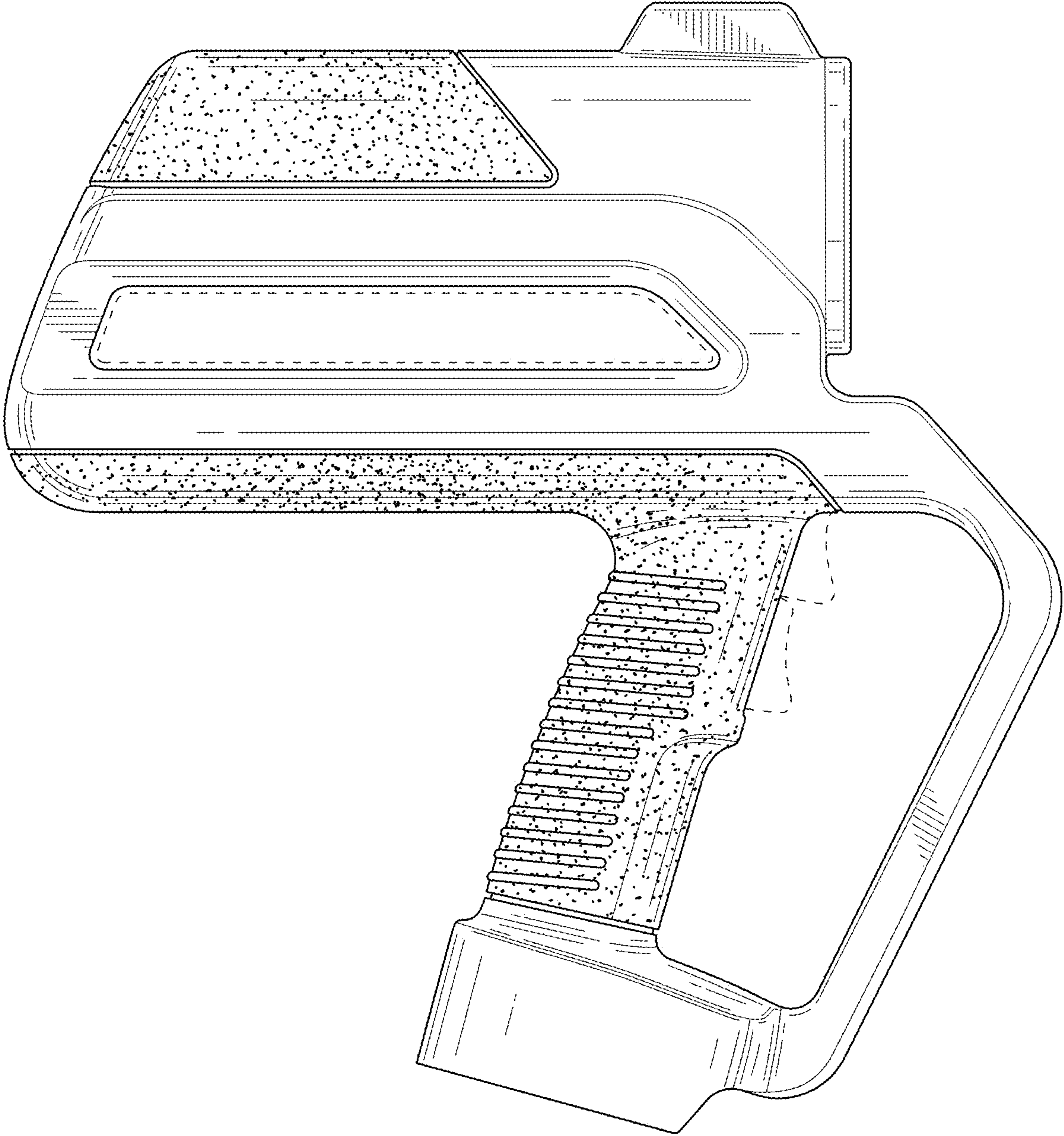


FIG. 6

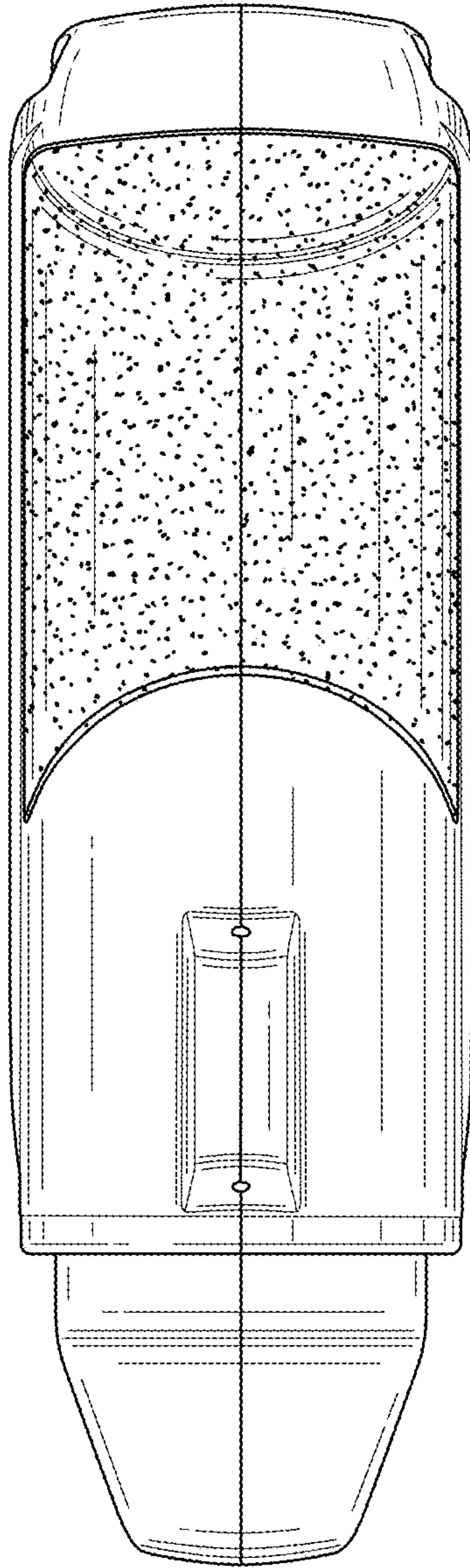


FIG. 7

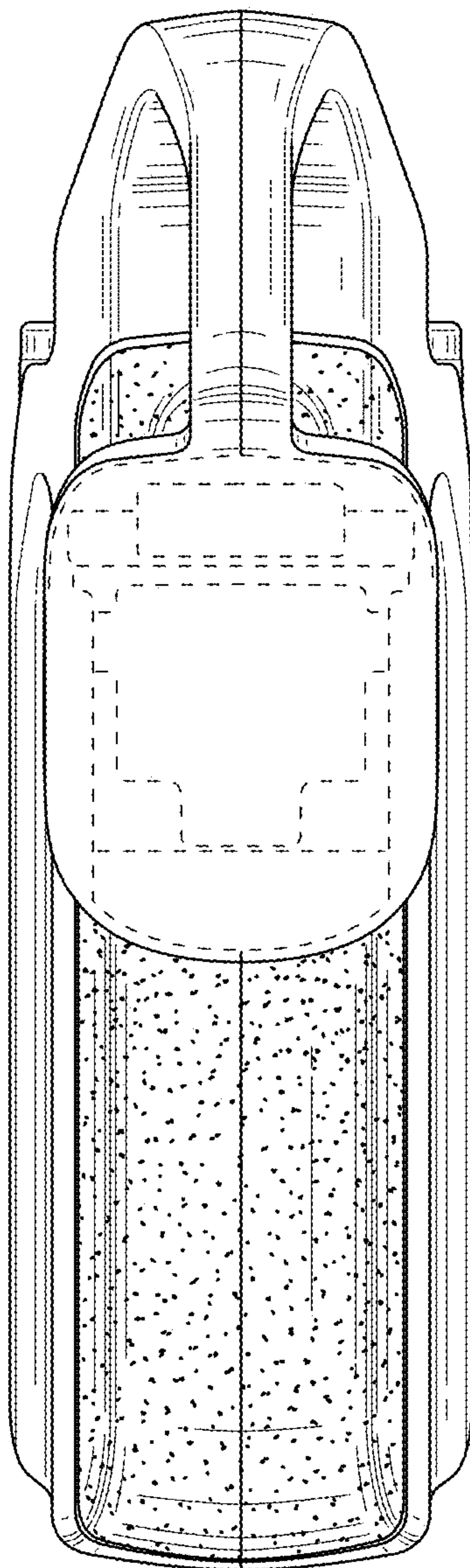


FIG. 8

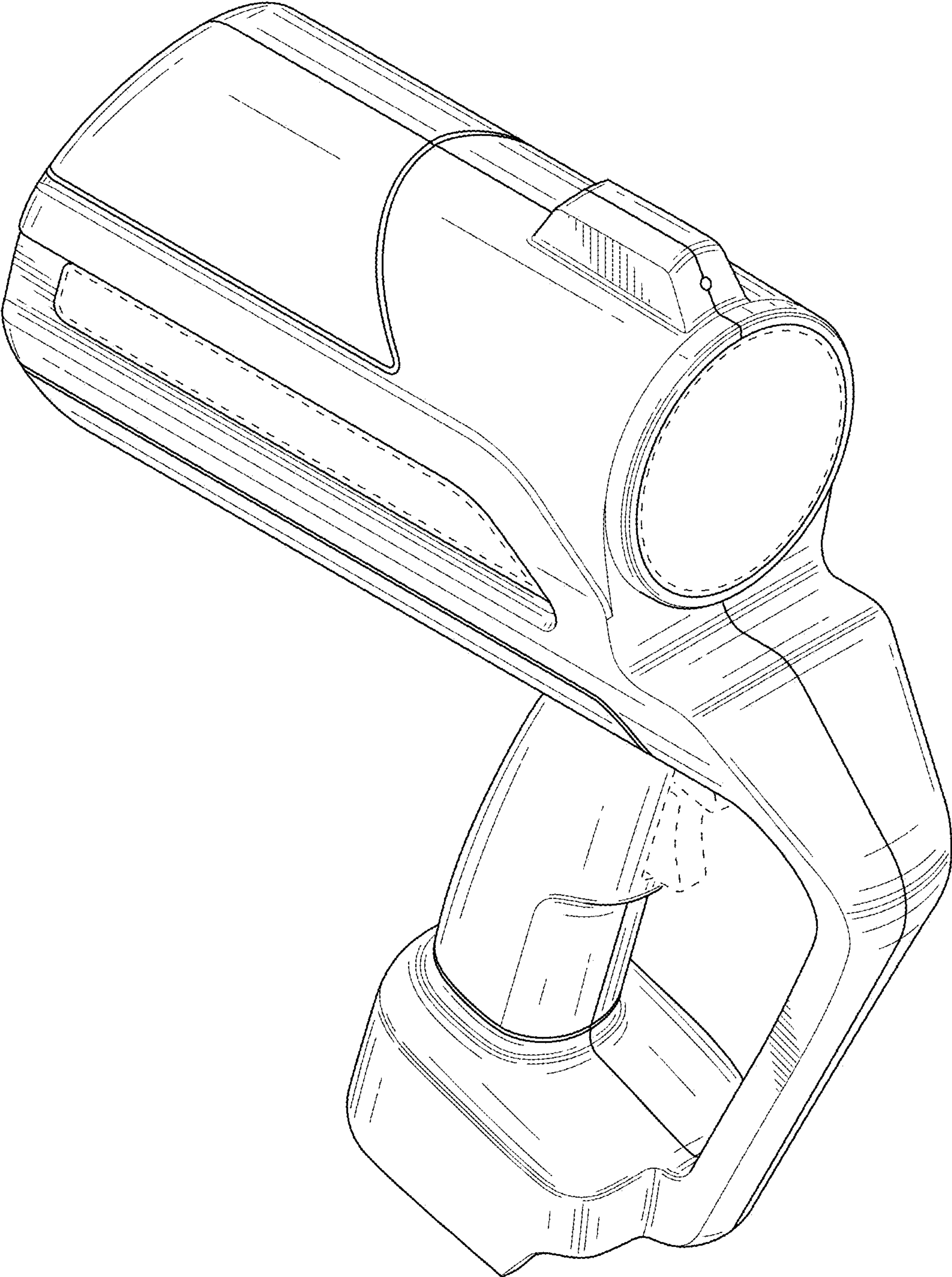


FIG. 9

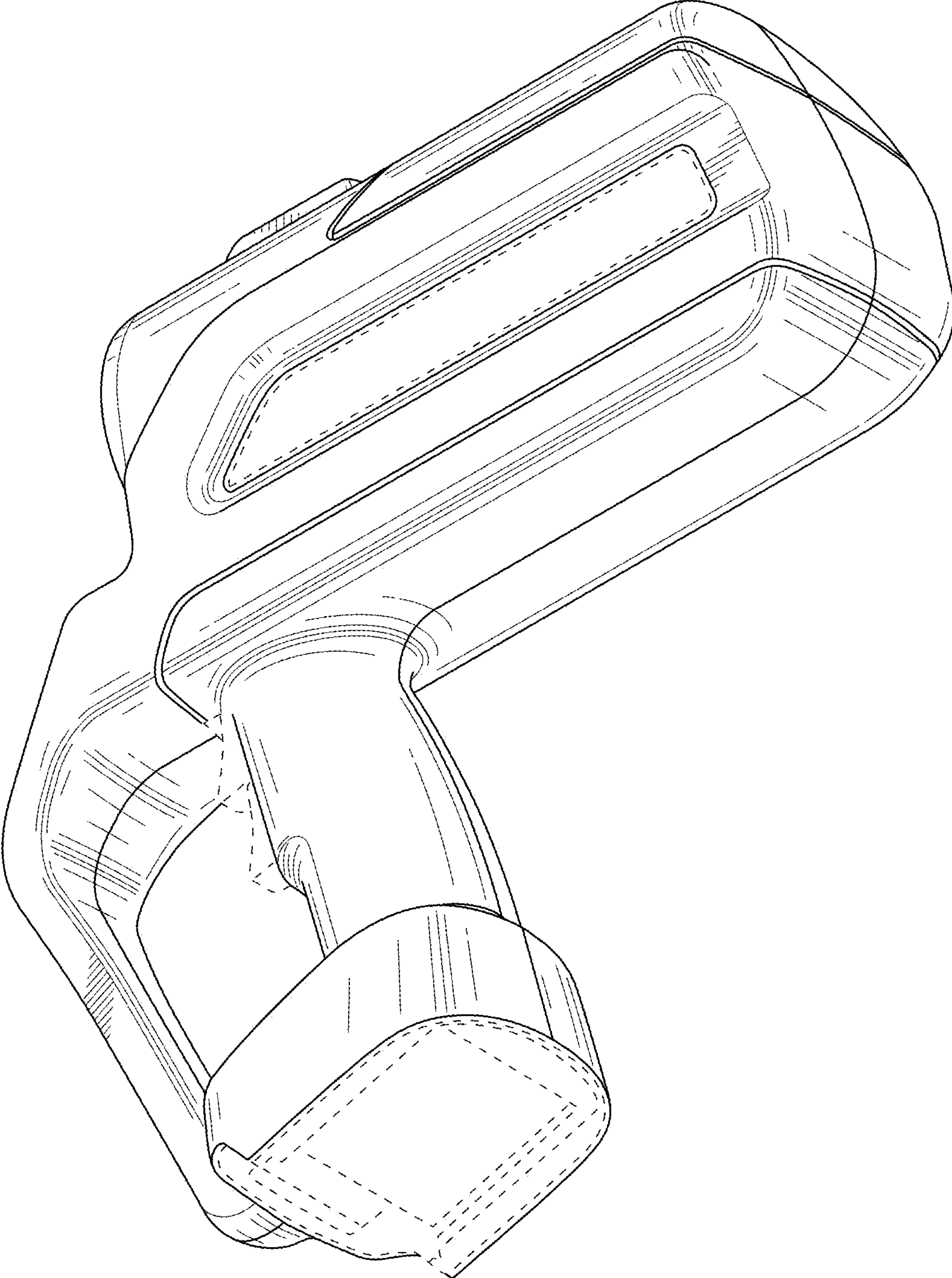


FIG. 10

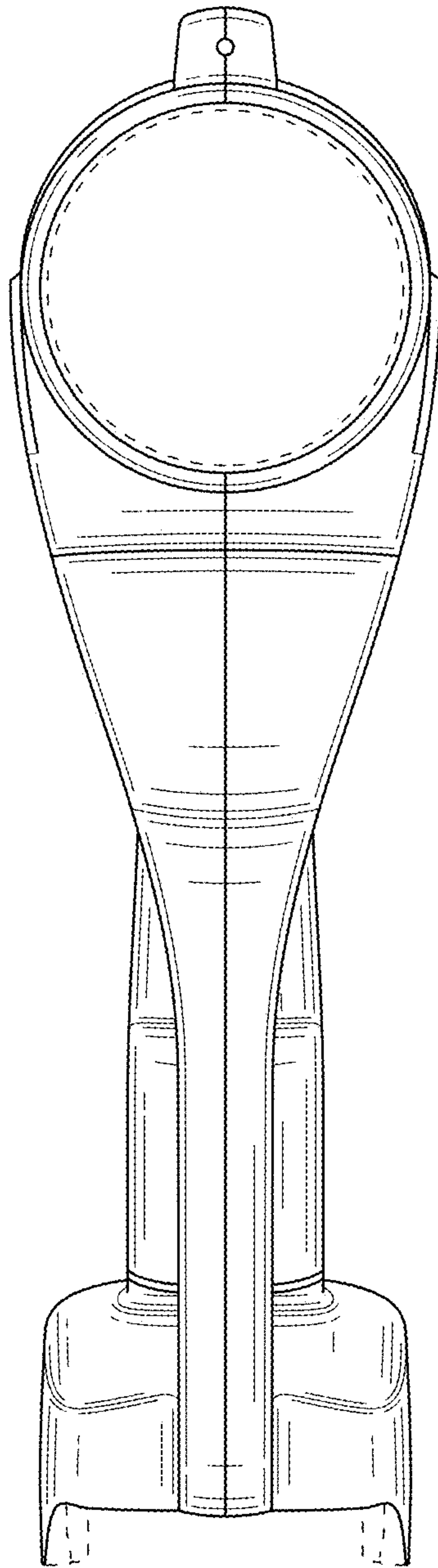


FIG. 11

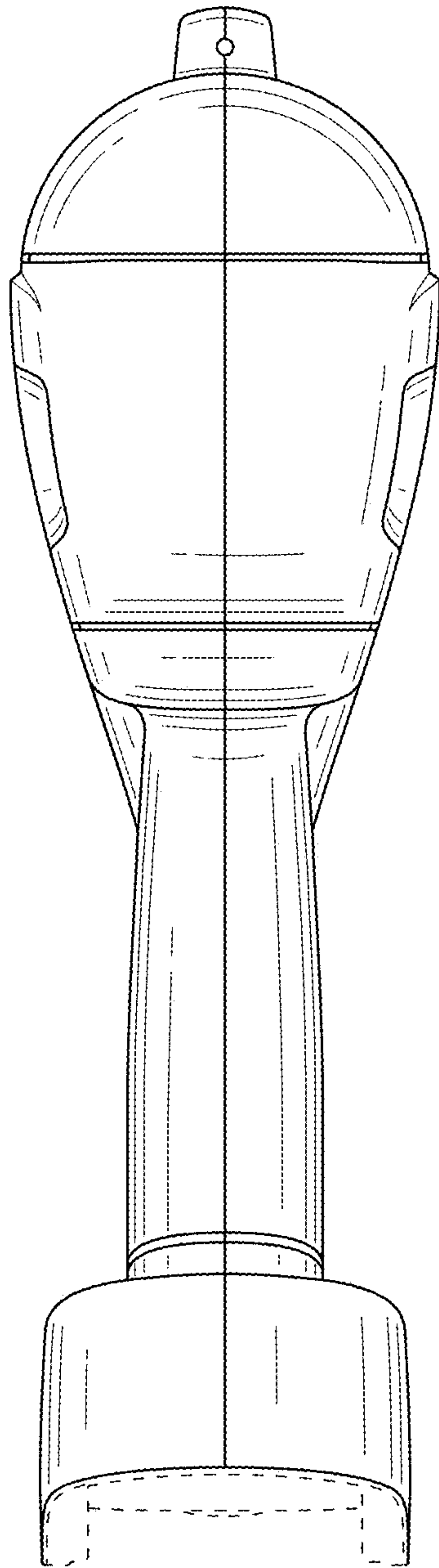


FIG. 12

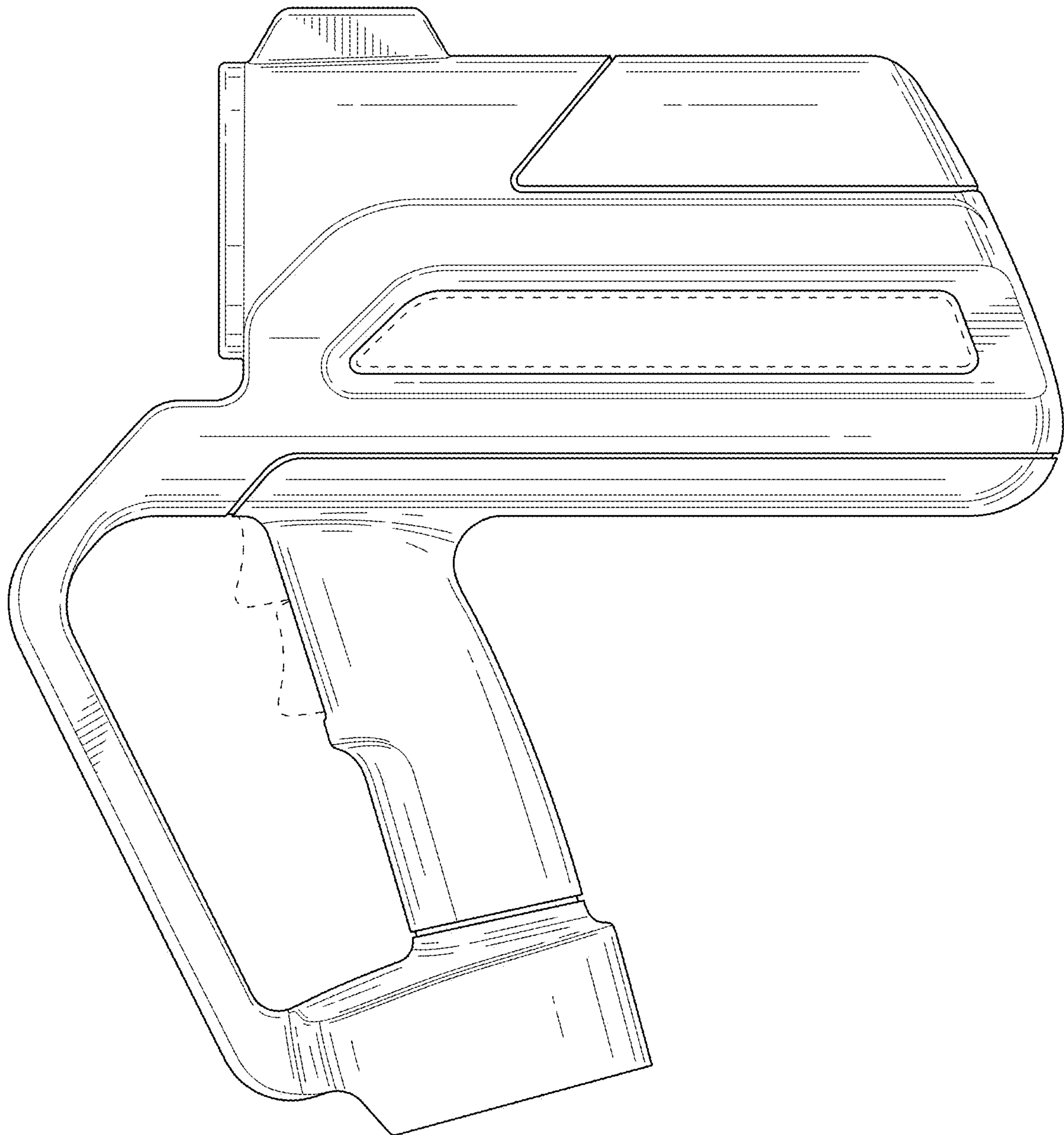


FIG. 13

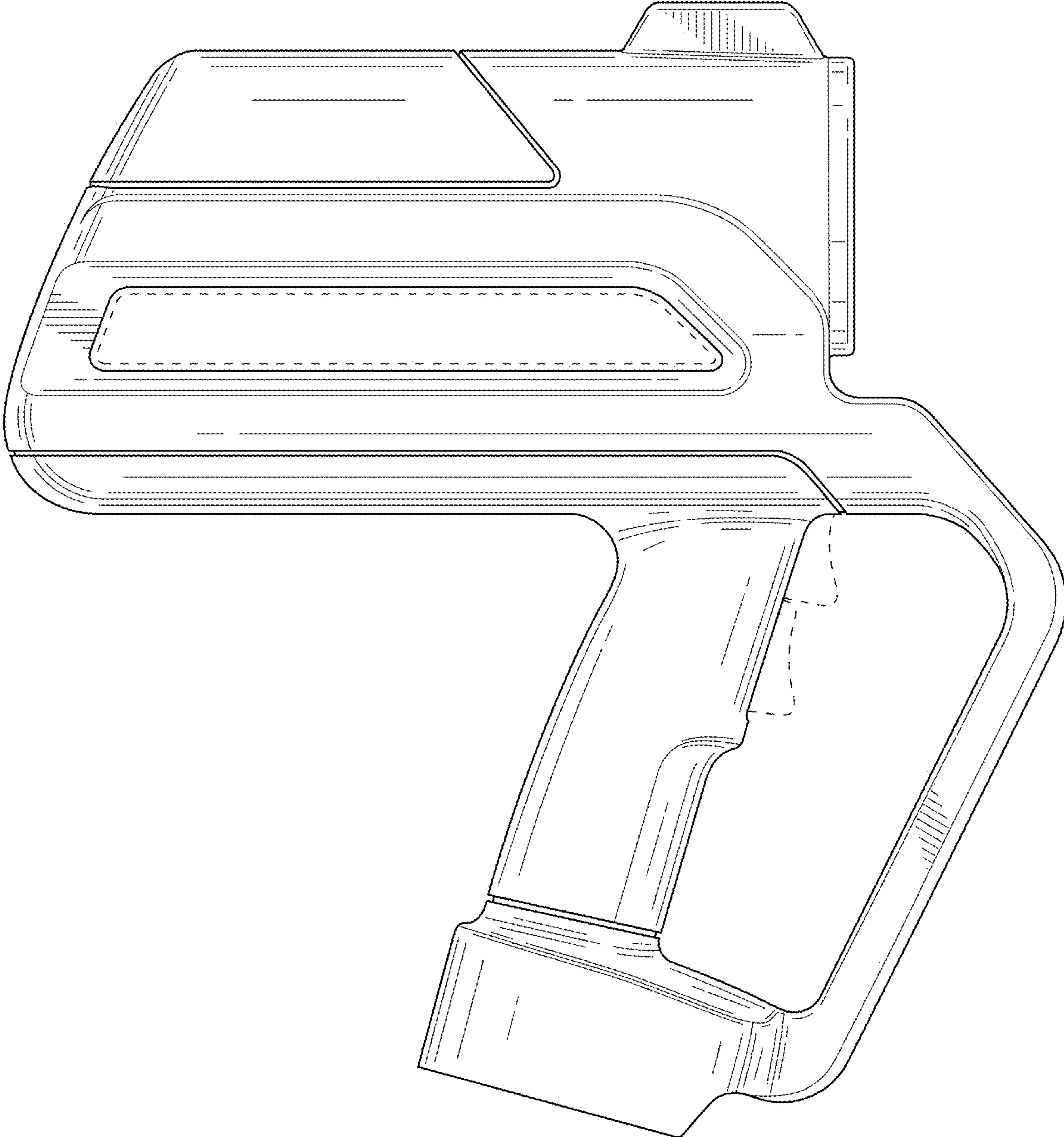


FIG. 14

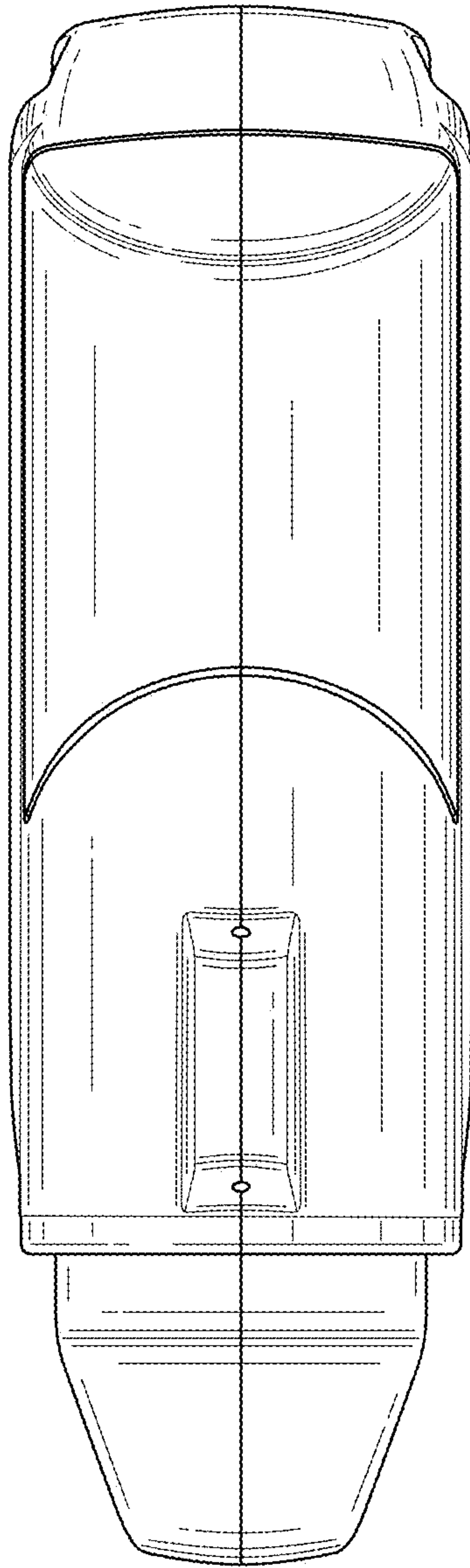


FIG. 15

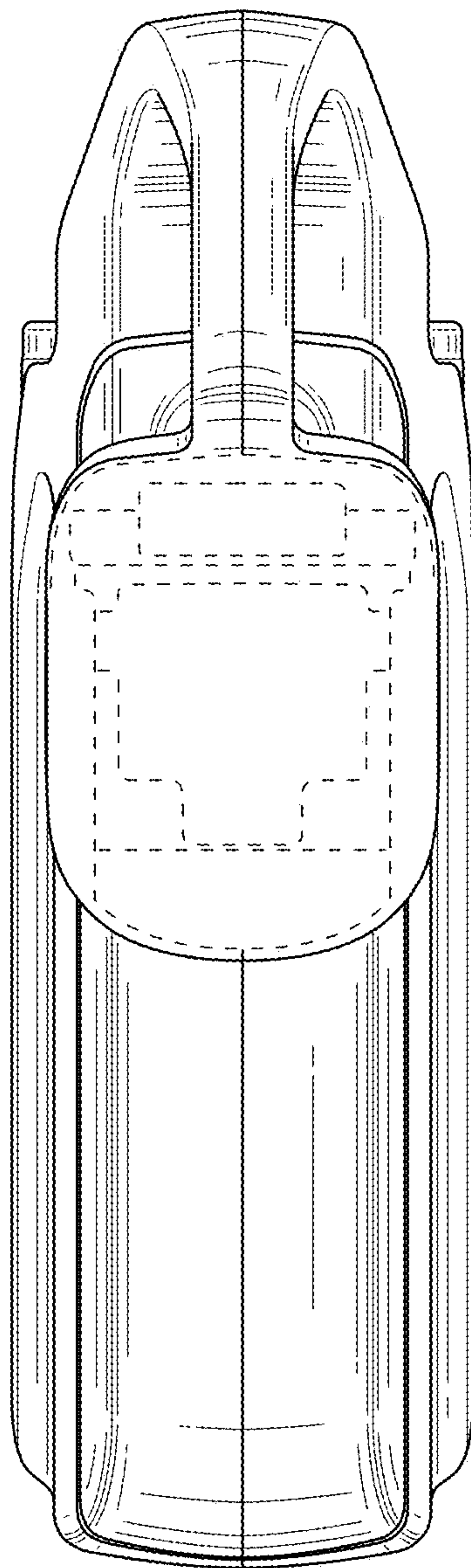


FIG. 16