

US00D894701S

(12) **United States Design Patent** (10) **Patent No.:** **US D894,701 S**
Repic et al. (45) **Date of Patent:** **** Sep. 1, 2020**

(54) **RATCHET ASSEMBLY**

(71) Applicants: **Edward Michael Repic**, Temecula, CA
(US); **Cameron Repic**, Murrieta, CA
(US)

(72) Inventors: **Edward Michael Repic**, Temecula, CA
(US); **Cameron Repic**, Murrieta, CA
(US)

(**) **Term:** **15 Years**

(21) **Appl. No.:** **29/700,489**

(22) **Filed:** **Aug. 2, 2019**

(51) **LOC (12) Cl.** **08-05**

(52) **U.S. Cl.**
USPC **D8/44; D8/107**

(58) **Field of Classification Search**
USPC D8/44, 14, 51, 107
CPC B25B 25/00; B21F 9/00; B60P 7/0823;
B60P 7/083; B60P 7/0846; Y10T 24/21;
Y10T 24/2117
See application file for complete search history.

(56) **References Cited**

U.S. PATENT DOCUMENTS

D494,831	S	*	8/2004	Buchter	D8/107
D525,105	S	*	7/2006	Jackson	D8/107
D527,605	S	*	9/2006	Jackson	D8/107
D527,606	S	*	9/2006	Jackson	D8/107
D572,100	S	*	7/2008	Aganian	D8/44
D579,741	S	*	11/2008	Selby	D8/107
7,448,596	B1	*	11/2008	Chang	B25B 25/00 24/69 ST
D639,626	S	*	6/2011	Gangakhedkar	D8/44
D642,031	S	*	7/2011	Pehar	D8/44
8,037,580	B2	*	10/2011	Huang	B60P 7/0846 24/68 CD

D661,562	S	*	6/2012	Stevens	D8/44
D675,498	S	*	2/2013	Stevens	D8/44
D681,411	S	*	5/2013	Qin	D8/44
D729,026	S	*	5/2015	Qin	D8/107
D805,377	S	*	12/2017	Breeden, III	D8/383
D821,172	S	*	6/2018	Romanak	D8/44
D861,448	S	*	10/2019	Zhang	D8/44
D876,915	S	*	3/2020	Romanak	D8/44
D877,587	S	*	3/2020	Romanak	D8/44
2009/0279978	A1	*	11/2009	Polin, Jr.	B65D 63/16 410/100
2009/0283729	A1	*	11/2009	Carlson	B60P 7/083 254/218
2010/0322737	A1	*	12/2010	Huang	B60P 7/083 410/100

* cited by examiner

Primary Examiner — Philip S Hyder
(74) *Attorney, Agent, or Firm* — Goldstein Law Offices,
P.C.

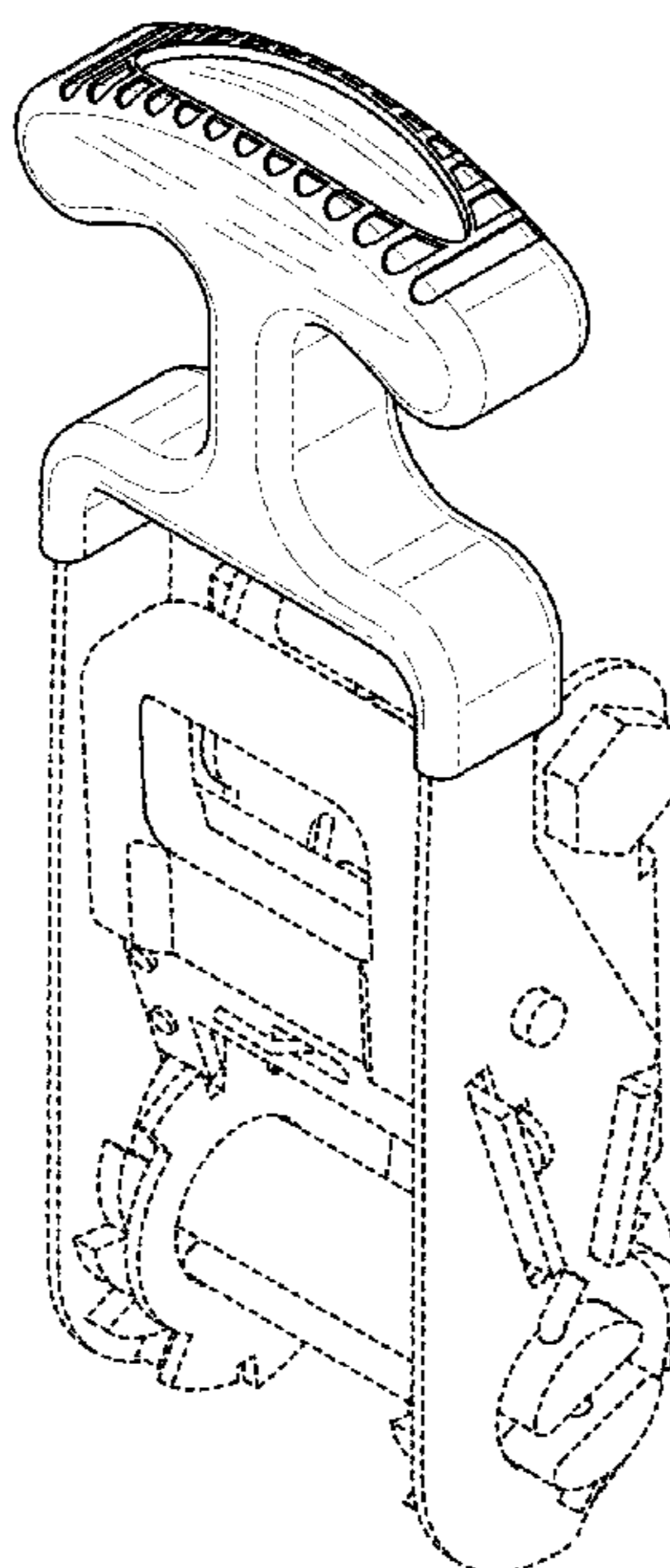
(57) **CLAIM**

The ornamental design for a ratchet assembly, as shown and described.

DESCRIPTION

FIG. 1 is a perspective view of the ratchet assembly.
FIG. 2 is a front elevational view of the ratchet assembly.
FIG. 3 is a rear elevational view thereof.
FIG. 4 is a top plan view thereof.
FIG. 5 is a bottom plan view thereof.
FIG. 6 is right side elevational view thereof; and,
FIG. 7 is a left side elevational view thereof.
The broken lines showing in FIGS. 1-7 are included for the purpose of showing unclaimed subject matter and form no part of the claimed design.

1 Claim, 4 Drawing Sheets



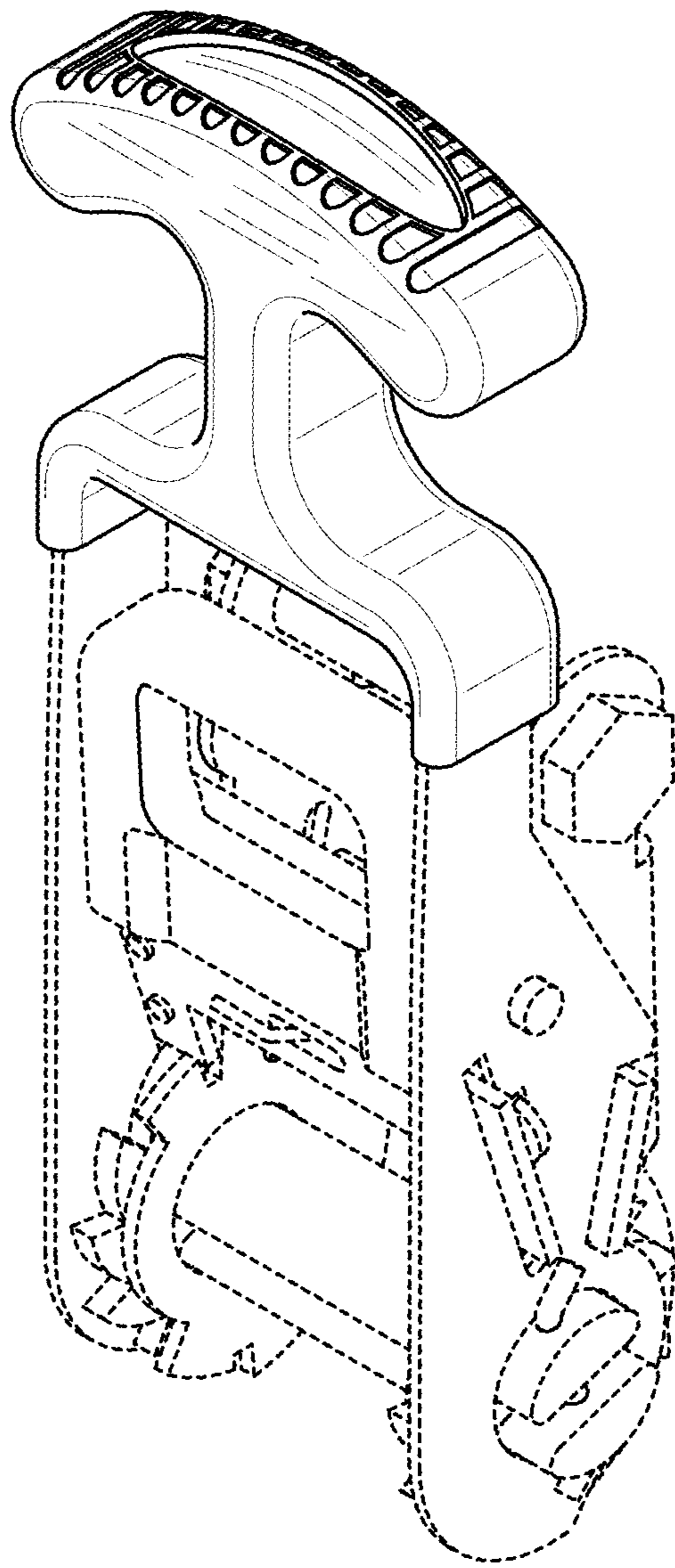


FIG. 1

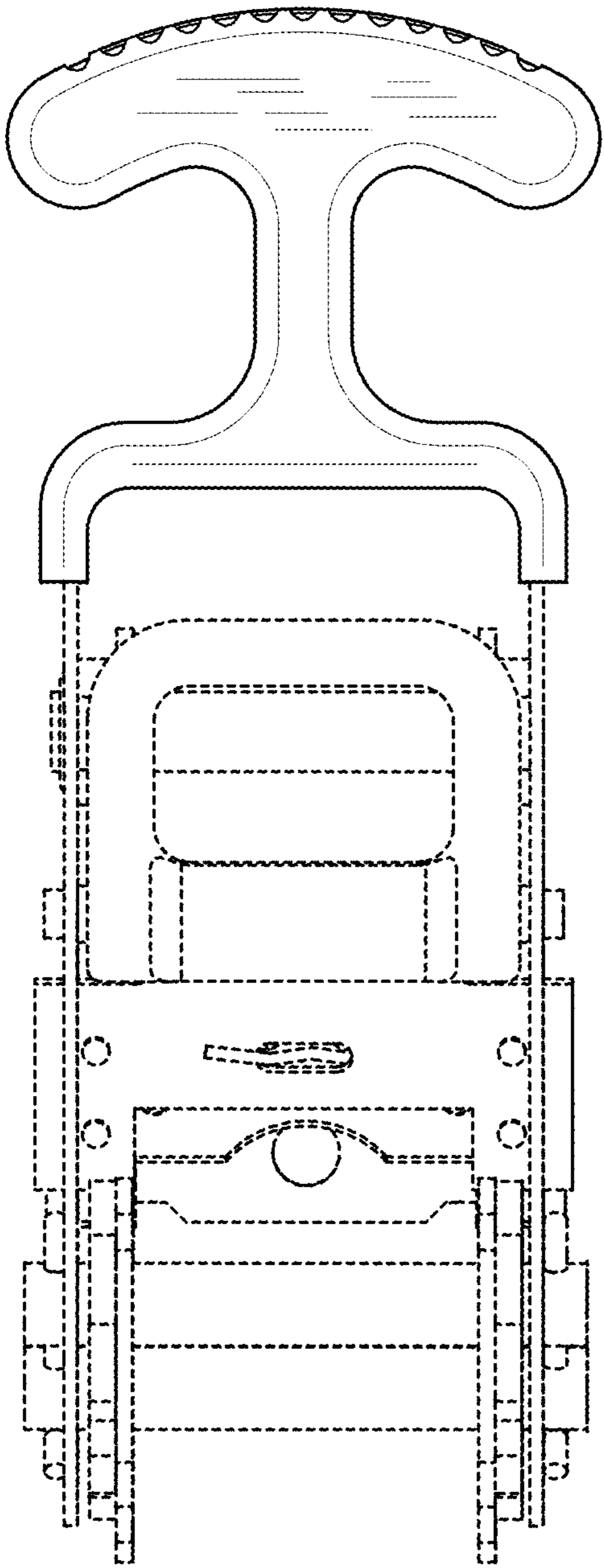


FIG. 2

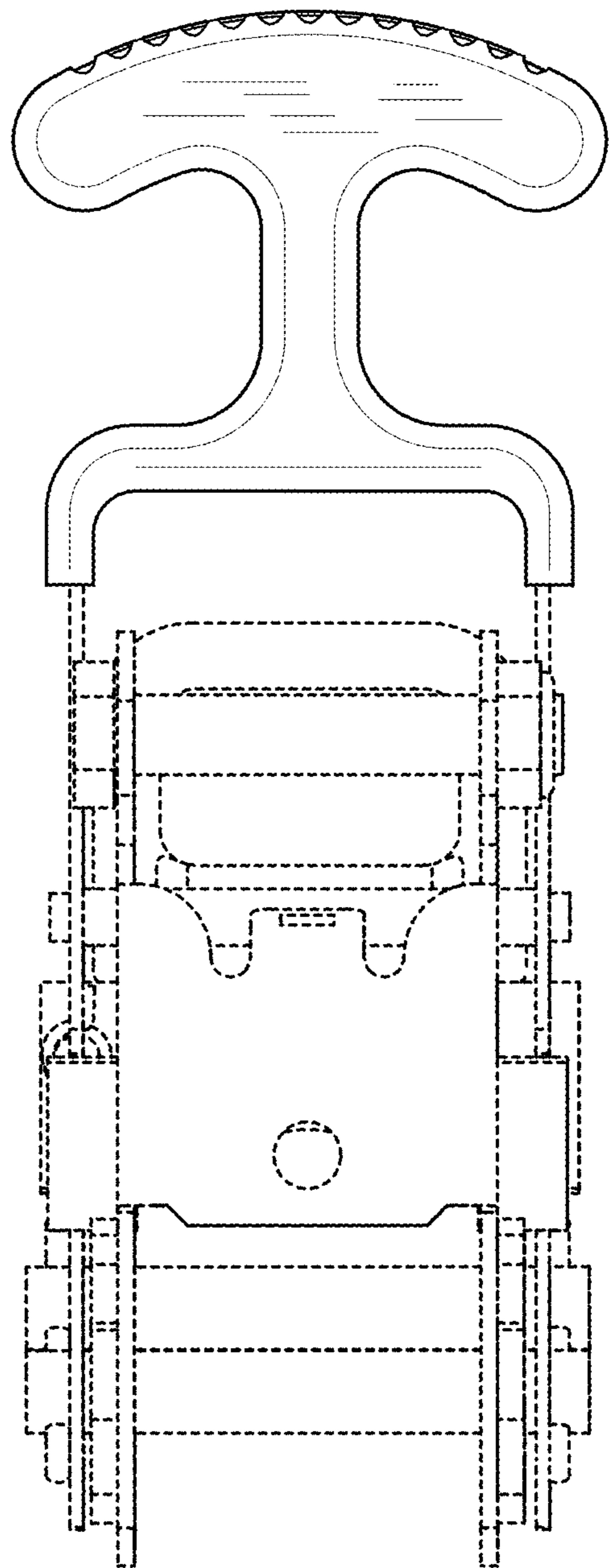


FIG. 3

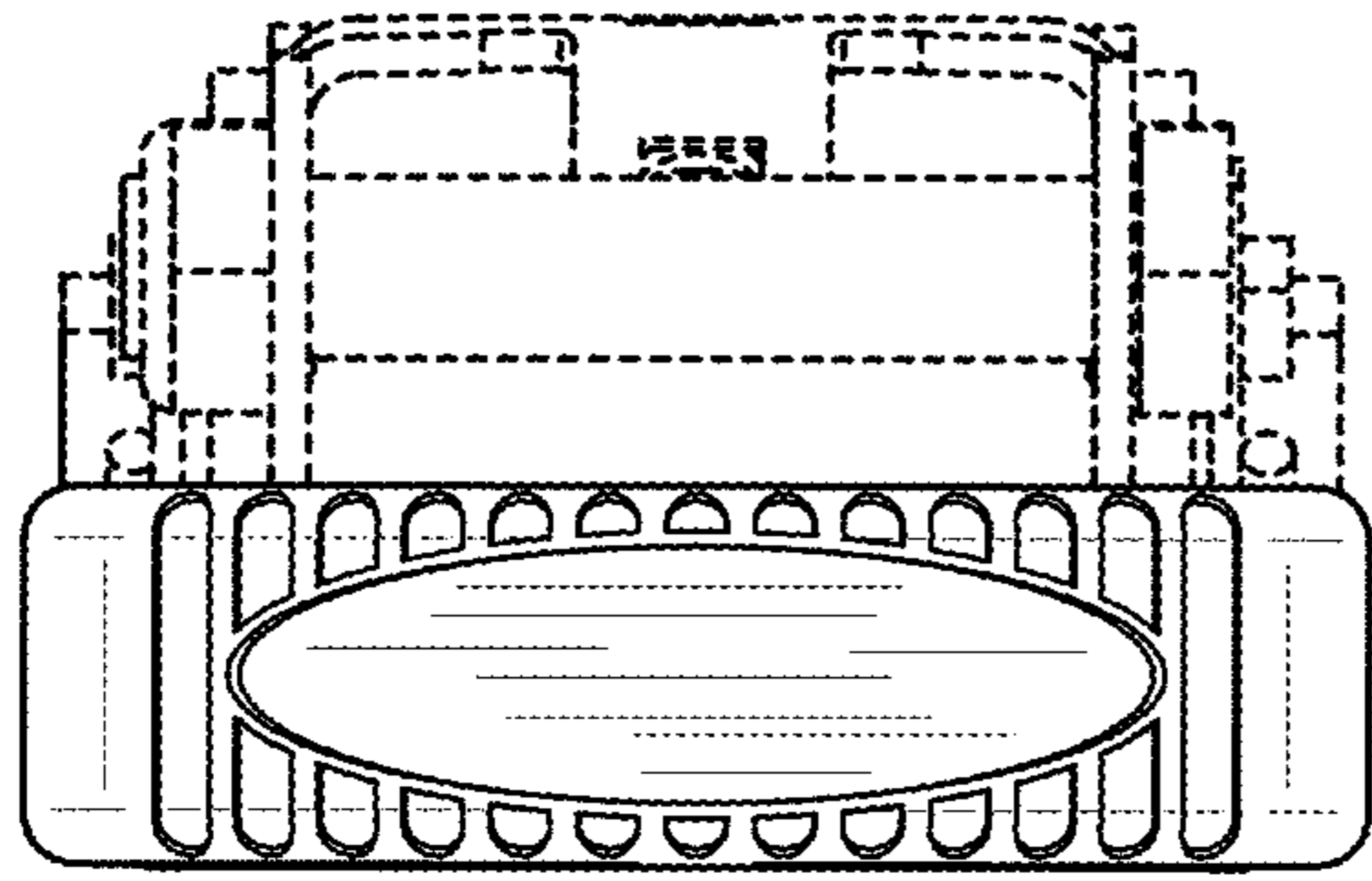


FIG. 4

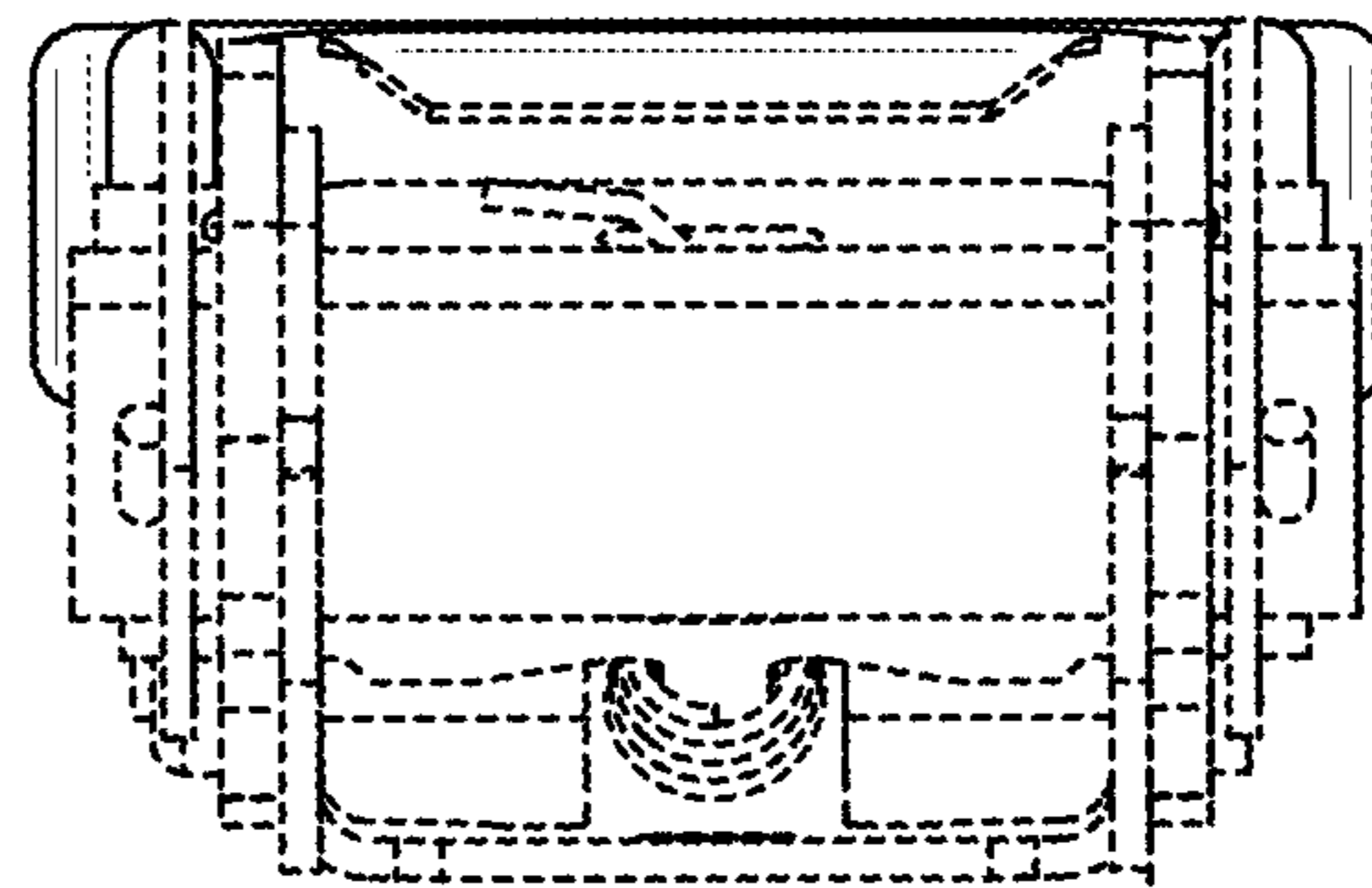


FIG. 5

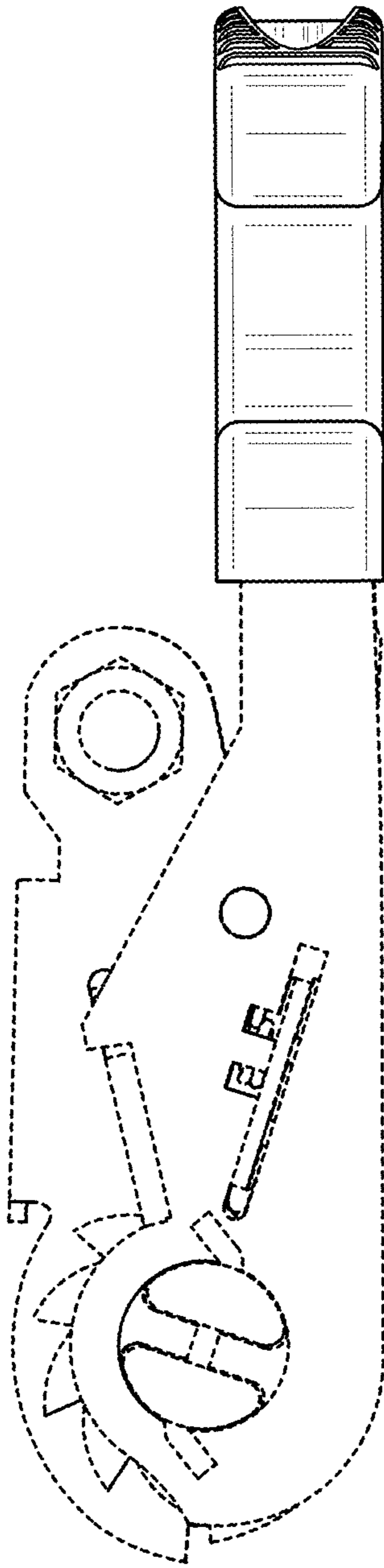


FIG. 6

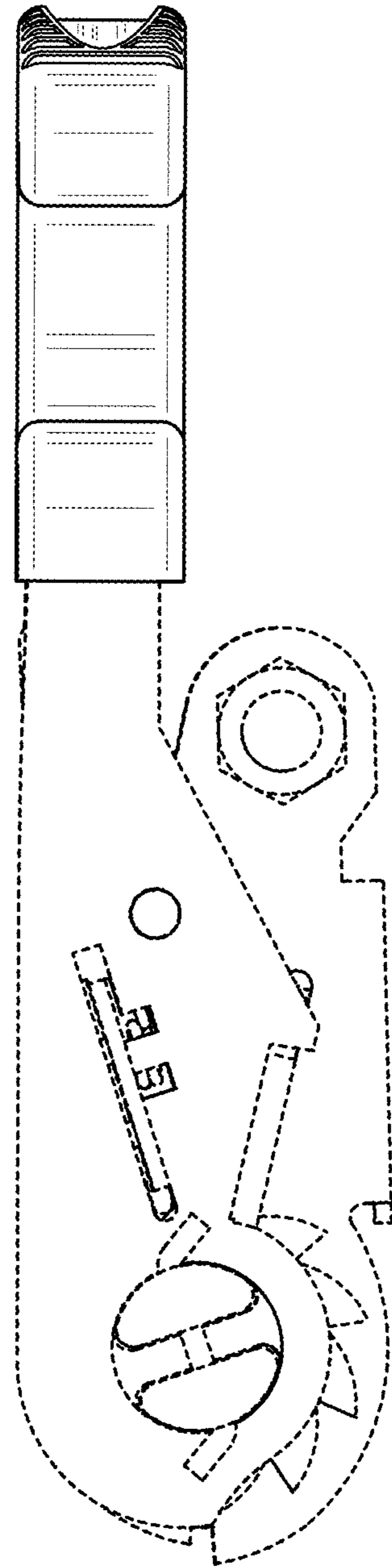


FIG. 7