



US00D894700S

(12) **United States Design Patent**
Breedon, III

(10) **Patent No.:** **US D894,700 S**

(45) **Date of Patent:** **** Sep. 1, 2020**

(54) **OPEN HANDLE RATCHET**

(71) Applicant: **Winston Products, LLC**, Cleveland, OH (US)

(72) Inventor: **Winston H. Breedon, III**, Chagrin Falls, OH (US)

(73) Assignee: **WINSTON PRODUCTS LLC**, Cleveland, OH (US)

(**) Term: **15 Years**

(21) Appl. No.: **29/640,786**

(22) Filed: **Mar. 16, 2018**

Related U.S. Application Data

(63) Continuation of application No. 29/580,054, filed on Oct. 5, 2016, now abandoned, which is a continuation-in-part of application No. 29/523,479, filed on Apr. 10, 2015, now abandoned.

(51) **LOC (12) Cl.** **08-05**

(52) **U.S. Cl.**
USPC **D8/44**

(58) **Field of Classification Search**
USPC D8/14, 51, 44, 107
CPC B60P 7/0823; B60P 7/083; B60P 7/0838
See application file for complete search history.

(56) **References Cited**

U.S. PATENT DOCUMENTS

5,103,536 A * 4/1992 Kamper B60P 7/083
24/68 CD
6,654,987 B1 * 12/2003 Wu B60P 7/083
24/68 CD

D572,100 S * 7/2008 Aganian D8/44
7,448,596 B1 * 11/2008 Chang B25B 25/00
24/69 ST
7,651,072 B1 * 1/2010 Chang B25B 25/00
24/68 CD
D642,031 S * 7/2011 Pehar D8/44
D675,498 S * 2/2013 Stevens D8/44
D686,894 S * 7/2013 Breedon D8/44
8,915,485 B2 * 12/2014 Joubert B60P 78/083
24/68 CD

* cited by examiner

Primary Examiner — Philip S Hyder

(74) *Attorney, Agent, or Firm* — Tucker Ellis LLP

(57) **CLAIM**

The ornamental design for an open handle ratchet, as shown and described.

DESCRIPTION

FIG. 1 is a perspective view of an open handle ratchet showing the new design; FIG. 2 is a top view thereof; FIG. 3 is a bottom view thereof; FIG. 4 is a first side view thereof; FIG. 5 is a second side view thereof; FIG. 6 is a first end view thereof; and, FIG. 7 is a second end view thereof. The broken lines depict portions of the open handle ratchet in which the design is embodied that are not considered part of the claimed design.

1 Claim, 7 Drawing Sheets

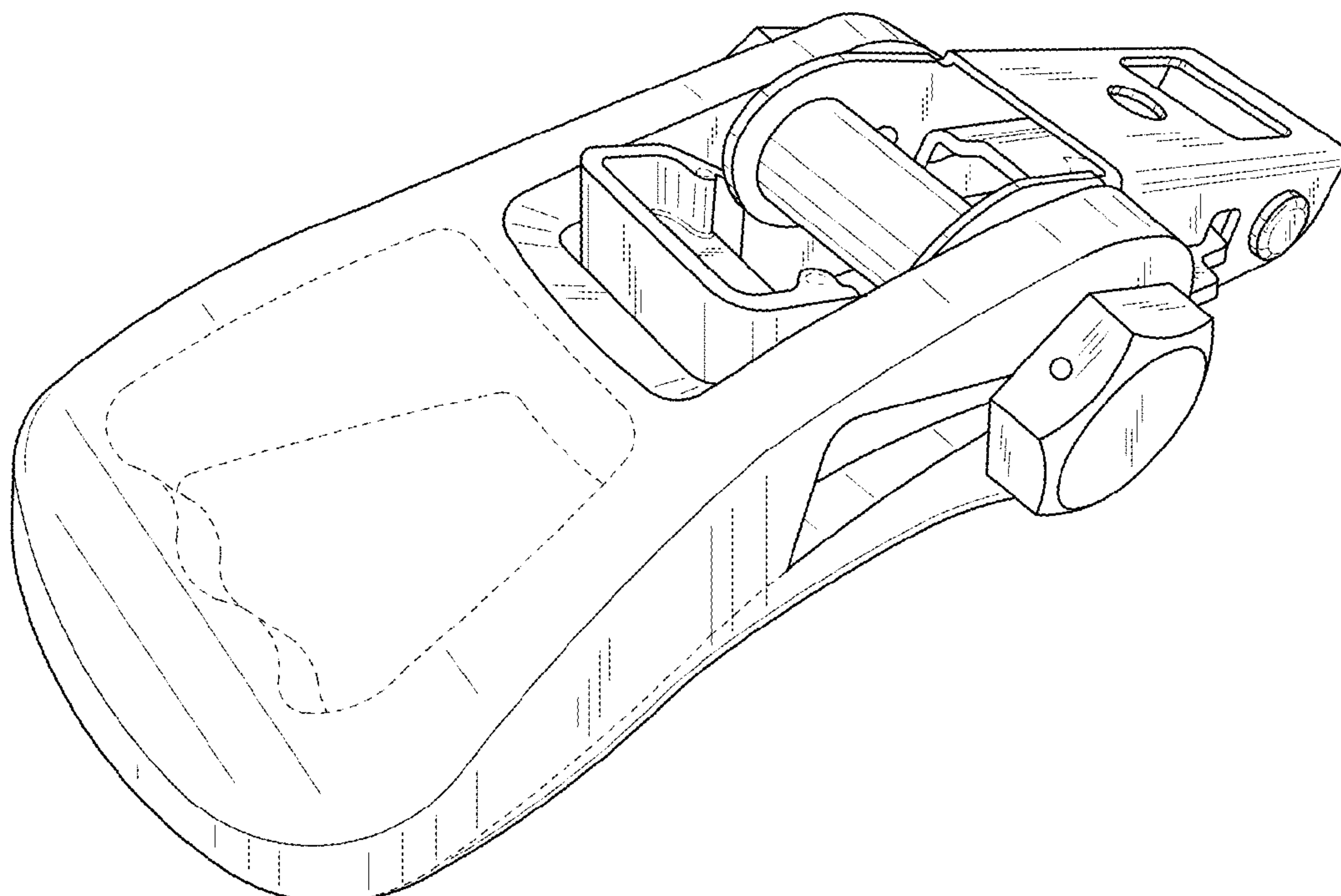
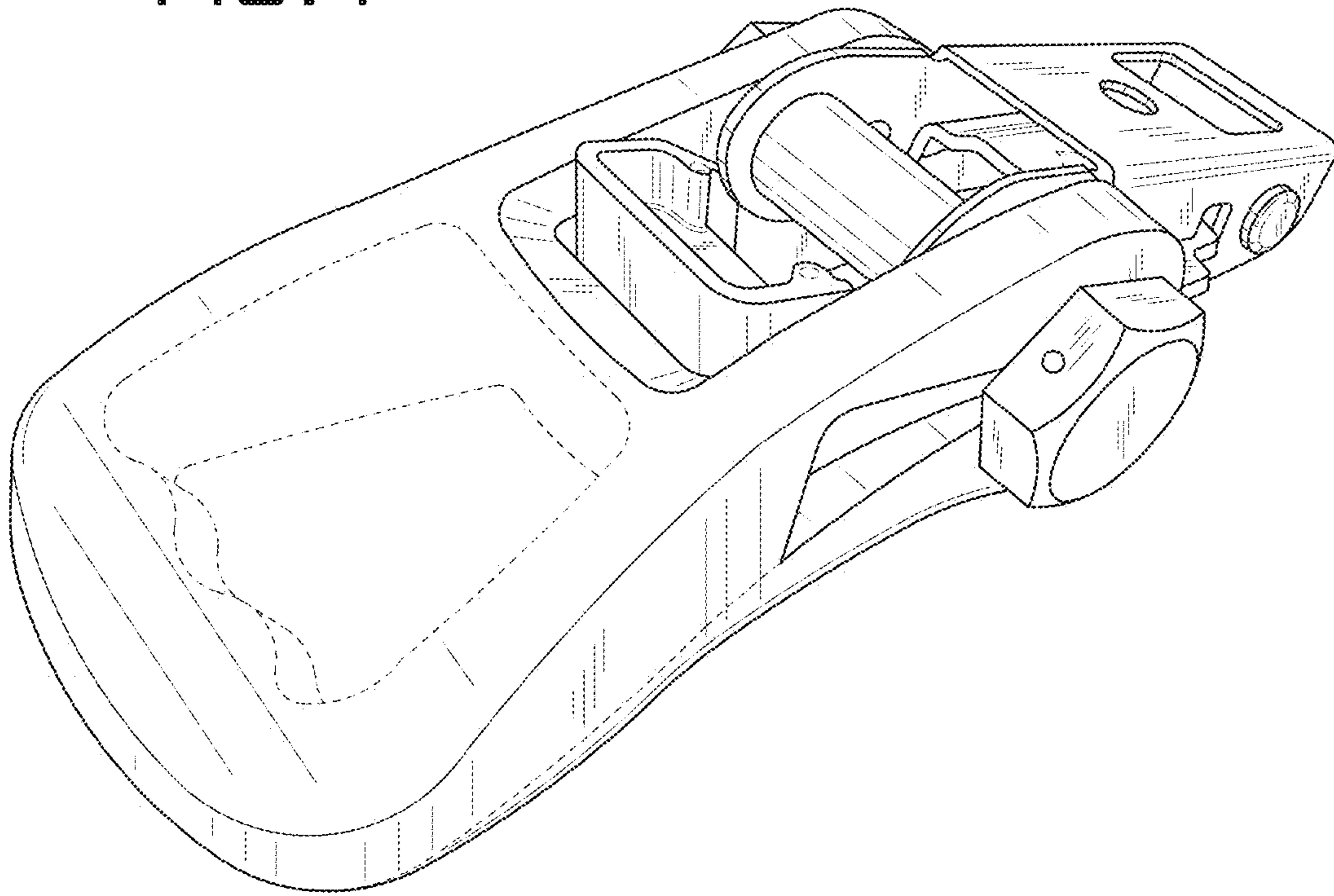


FIG. 1



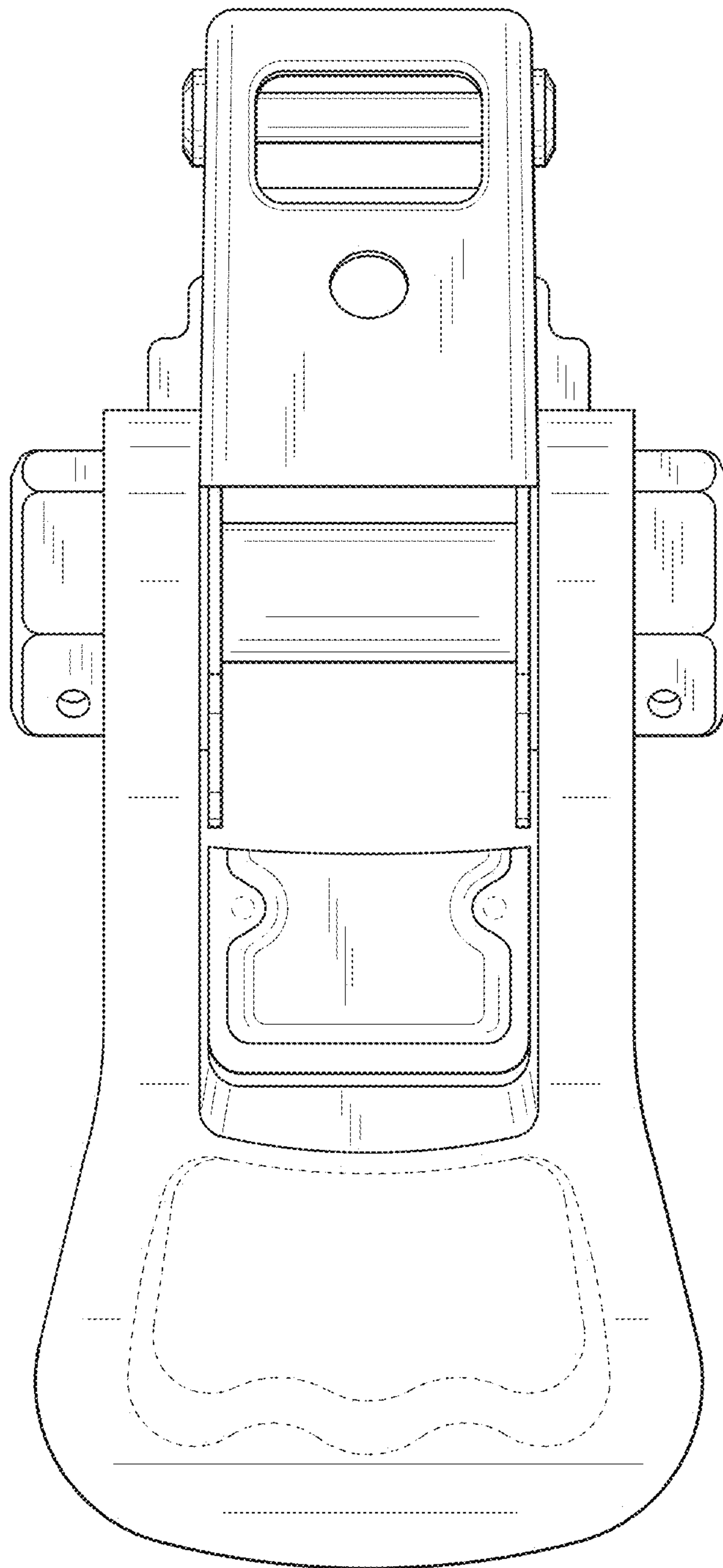


FIG. 2

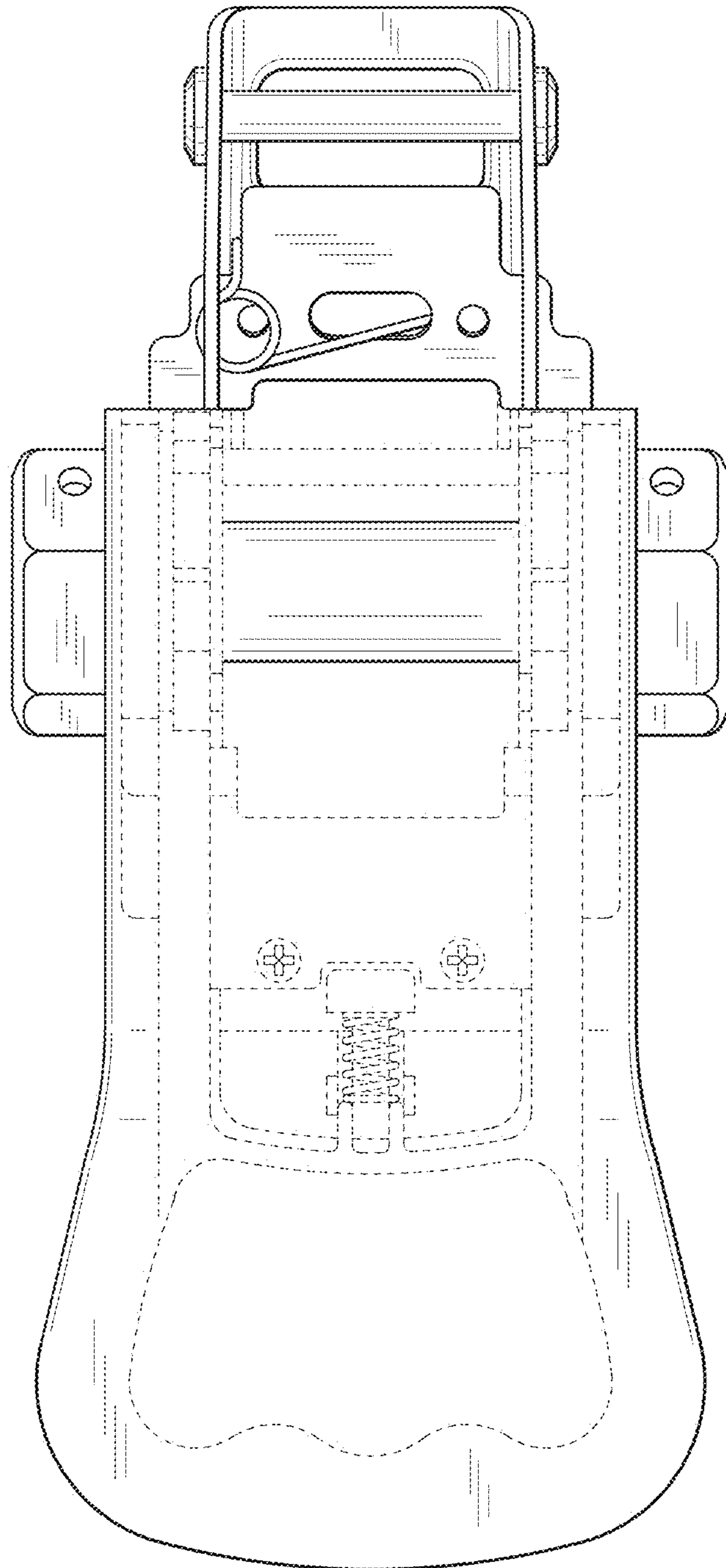


FIG. 3

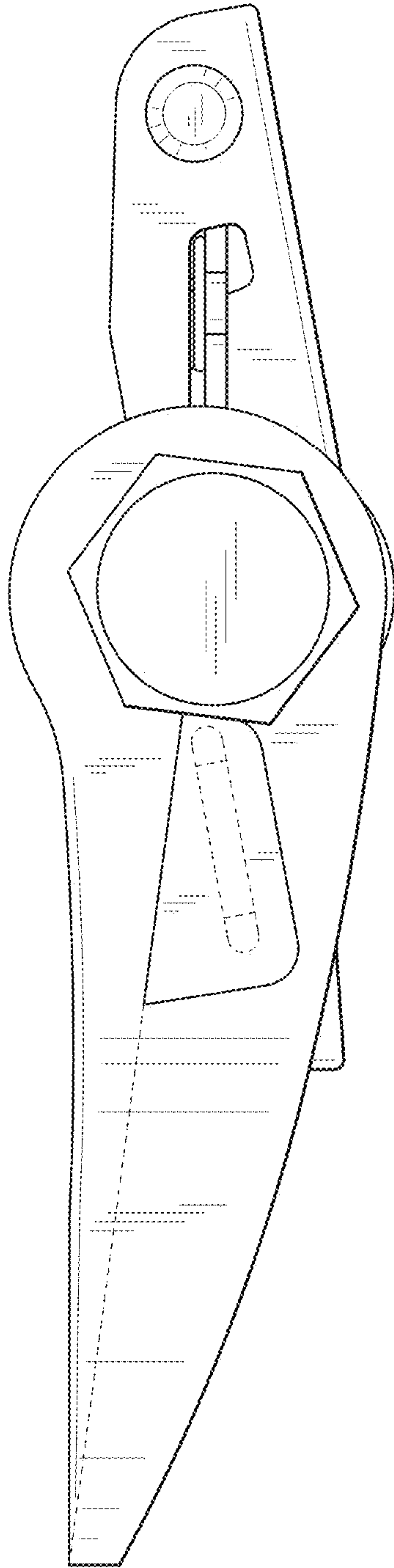


FIG. 4

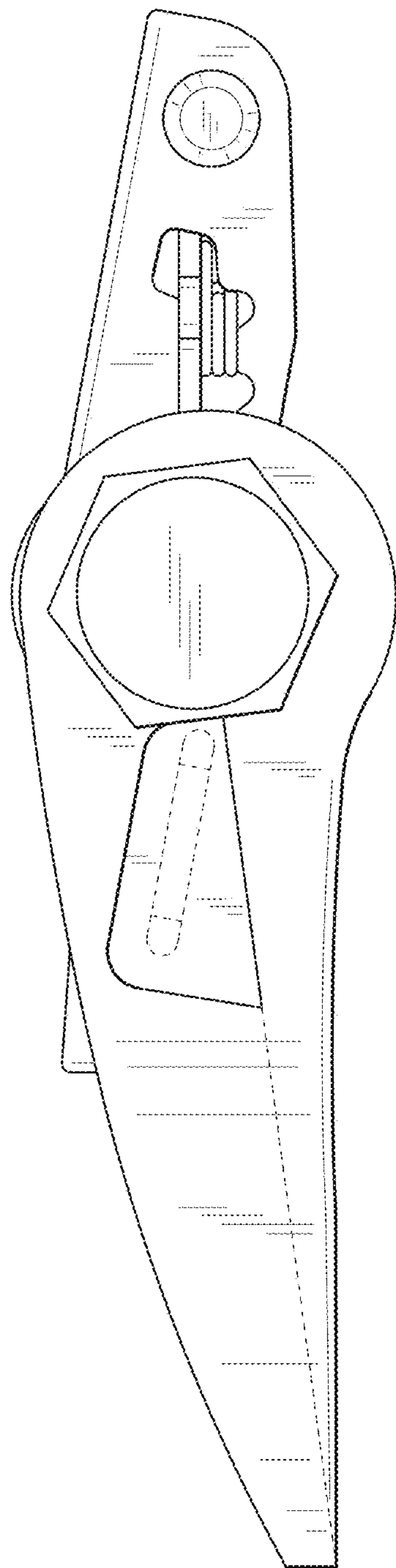


FIG. 5

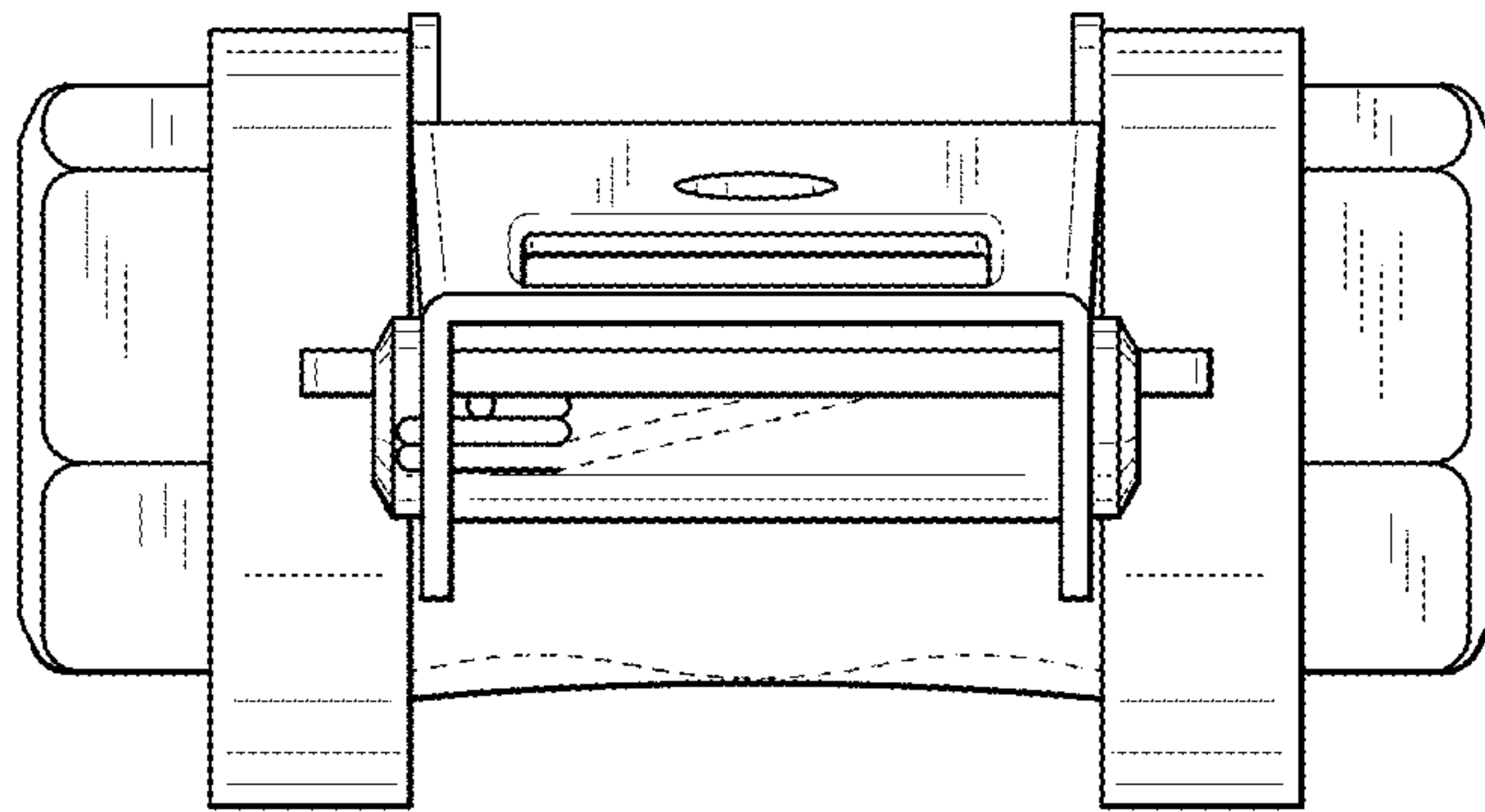


FIG. 6

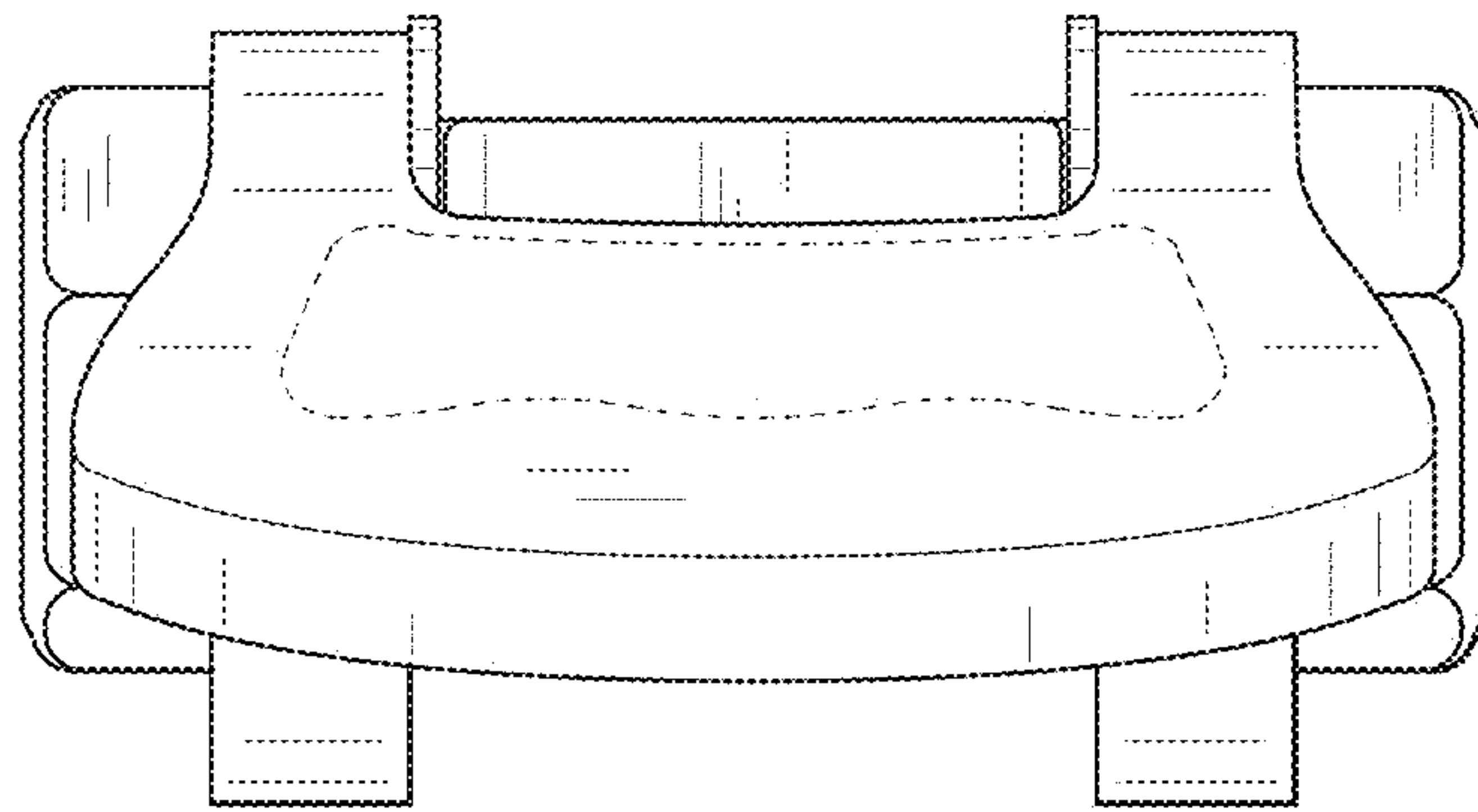


FIG. 7