

US00D894699S

(12) **United States Design Patent** (10) **Patent No.:** **US D894,699 S**
Lu (45) **Date of Patent:** **** Sep. 1, 2020**

(54) **GRASS CUTTER** D715,608 S * 10/2014 Cigarini D8/8
D716,620 S * 11/2014 Baxter D8/8
(71) Applicant: **Nanjing Chervon Industry Co., Ltd.,** D814,894 S * 4/2018 Alliss D8/8
Nanjing (CN) D833,838 S * 11/2018 Cigarini D8/8
2012/0066913 A1* 3/2012 Alliss A01D 34/4162
30/276
(72) Inventor: **Guotai Lu, Nanjing (CN)** 2014/0246214 A1* 9/2014 Racov A01D 34/902
173/217

(73) Assignee: **Nanjing Chervon Industry Co., Ltd.,**
Nanjing (CN)

(**) Term: **15 Years**

(21) Appl. No.: **29/655,320**

(22) Filed: **Jul. 2, 2018**

(30) **Foreign Application Priority Data**

Jan. 8, 2018 (CN) 2018 3 0006262

(51) **LOC (12) Cl.** **08-03**

(52) **U.S. Cl.**
USPC **D8/8**

(58) **Field of Classification Search**
USPC D8/7, 8, 9; D15/14, 17
CPC .. A01D 34/01; A01D 34/416; A01D 34/4161;
A01D 34/84; A01D 34/90; A01D 34/02;
A01D 34/08; A01D 34/412; A01D
34/4165; A01G 3/067; A01G 3/06; A01G
3/062; A01G 3/00

See application file for complete search history.

(56) **References Cited**

U.S. PATENT DOCUMENTS

4,603,478 A * 8/1986 Anderson A01D 34/416
16/334
D482,941 S * 12/2003 Nystrom D8/8
D578,842 S * 10/2008 Houghton A01D 34/90
D8/8
D668,517 S * 10/2012 Landberg D8/8
D712,215 S * 9/2014 Tajik D8/8
D712,216 S * 9/2014 Tajik D8/8

(Continued)

Primary Examiner — Sandra S Snapp

Assistant Examiner — Ieisha N Price

(74) *Attorney, Agent, or Firm* — Greenberg Traurig, LLP

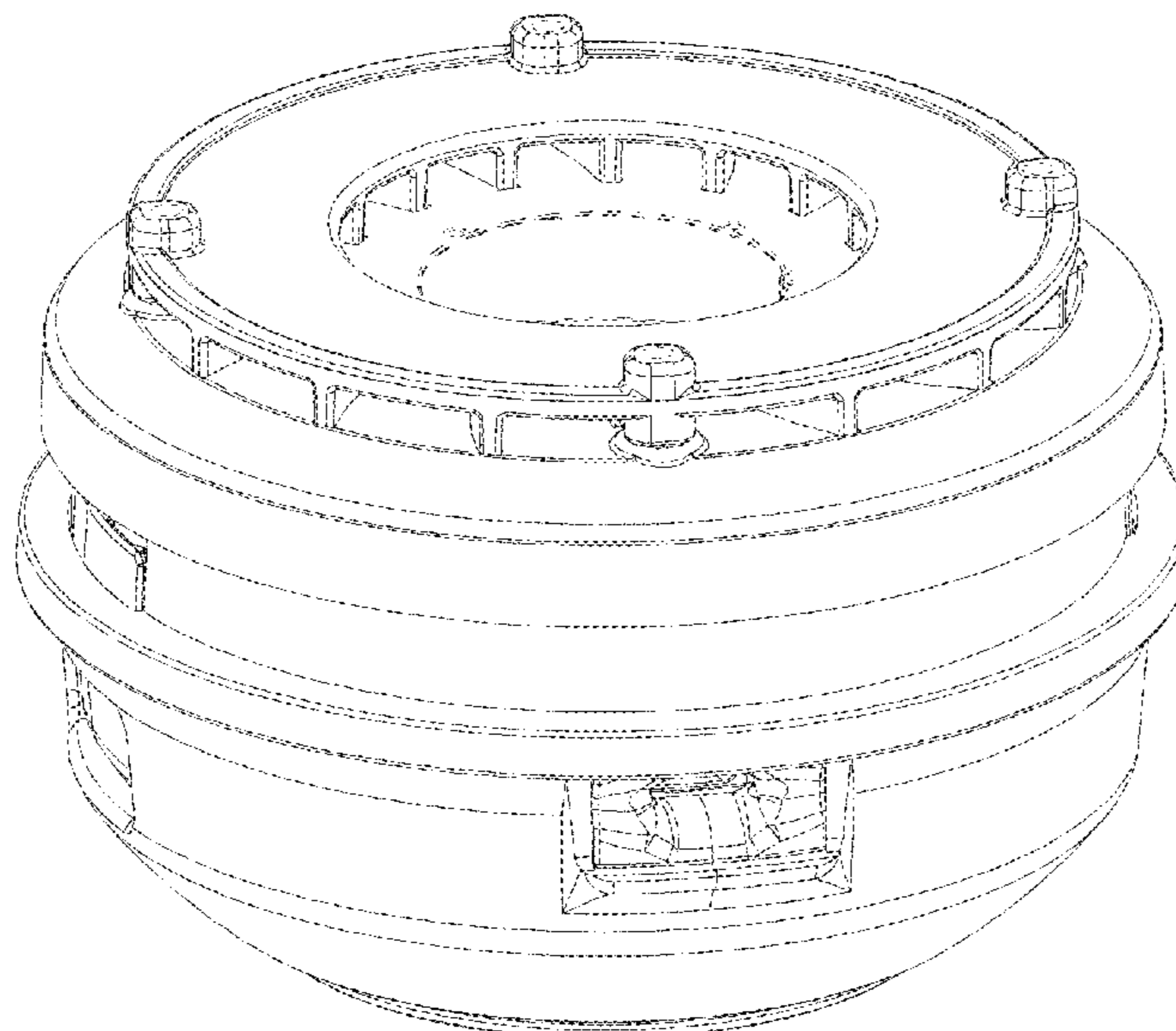
(57) **CLAIM**

The ornamental design for a grass cutter, as shown and described.

DESCRIPTION

FIG. 1 is a left side elevational view of my new grass cutter. FIG. 2 is a right side elevational view thereof. FIG. 3 is a rear elevational view thereof. FIG. 4 is a front elevational view thereof. FIG. 5 is a bottom plan view thereof. FIG. 6 is a top plan view thereof. FIG. 7 is a perspective view thereof. FIG. 8 is an enlarged left side elevational view thereof with the broken lines removed. FIG. 9 is an enlarged right side elevational view thereof with the broken lines removed. FIG. 10 is an enlarged rear elevational view thereof with the broken lines removed. FIG. 11 is an enlarged top plan view thereof with the broken lines removed. FIG. 12 is an enlarged bottom plan view thereof with the broken lines removed; and, FIG. 13 is an enlarged perspective view thereof with the broken lines removed. The broken lines in the drawings illustrate portions of the grass cutter and form no part of the claimed design.

1 Claim, 13 Drawing Sheets



(56)

References Cited

U.S. PATENT DOCUMENTS

2015/0223395 A1* 8/2015 Pellenc A01D 34/4161
30/276
2016/0143219 A1* 5/2016 Yuan A01D 34/90
30/276
2018/0116104 A1* 5/2018 Alexandersson A01D 34/416
2018/0271010 A1* 9/2018 Hallendorff A01D 34/4161

* cited by examiner

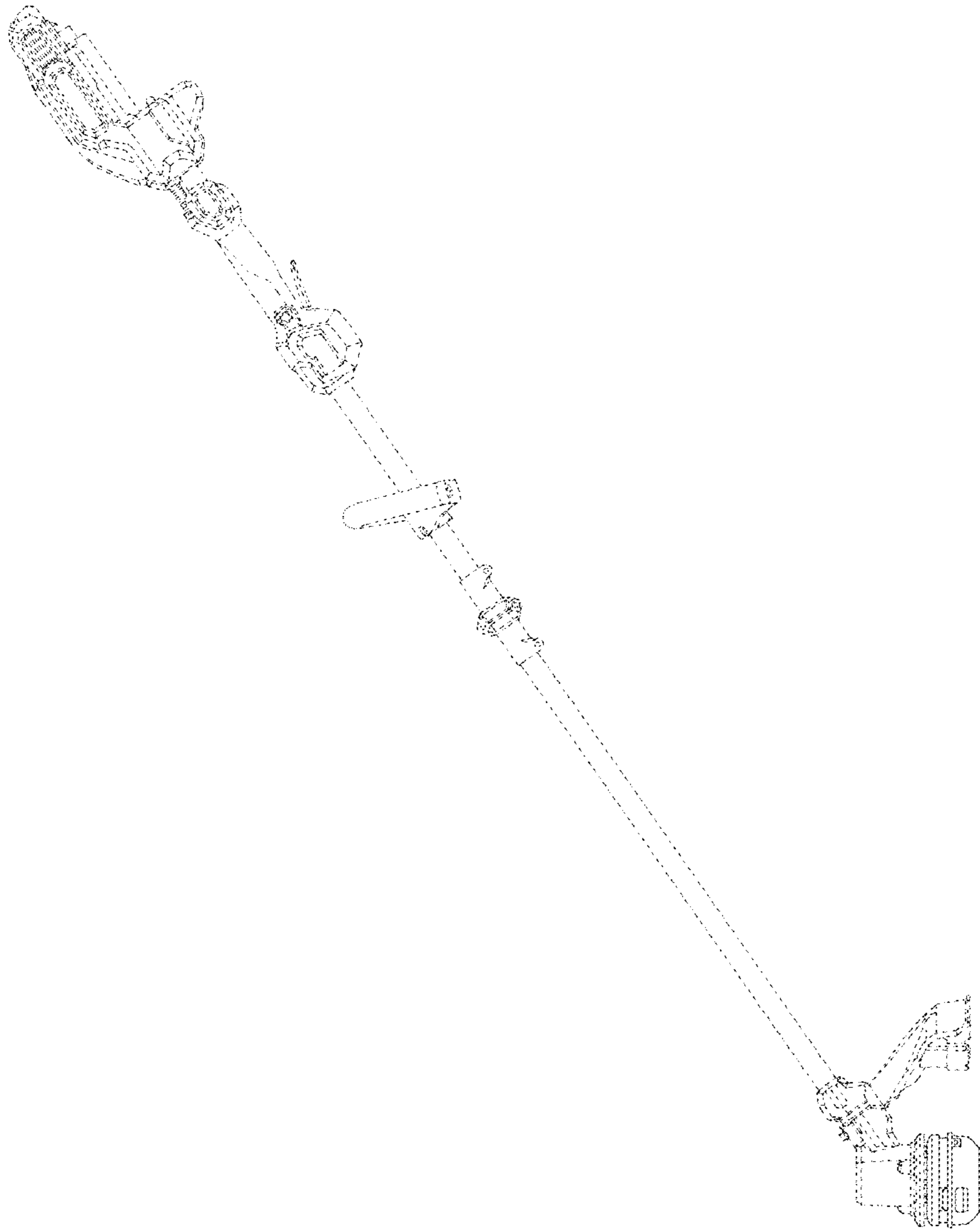


Fig. 1

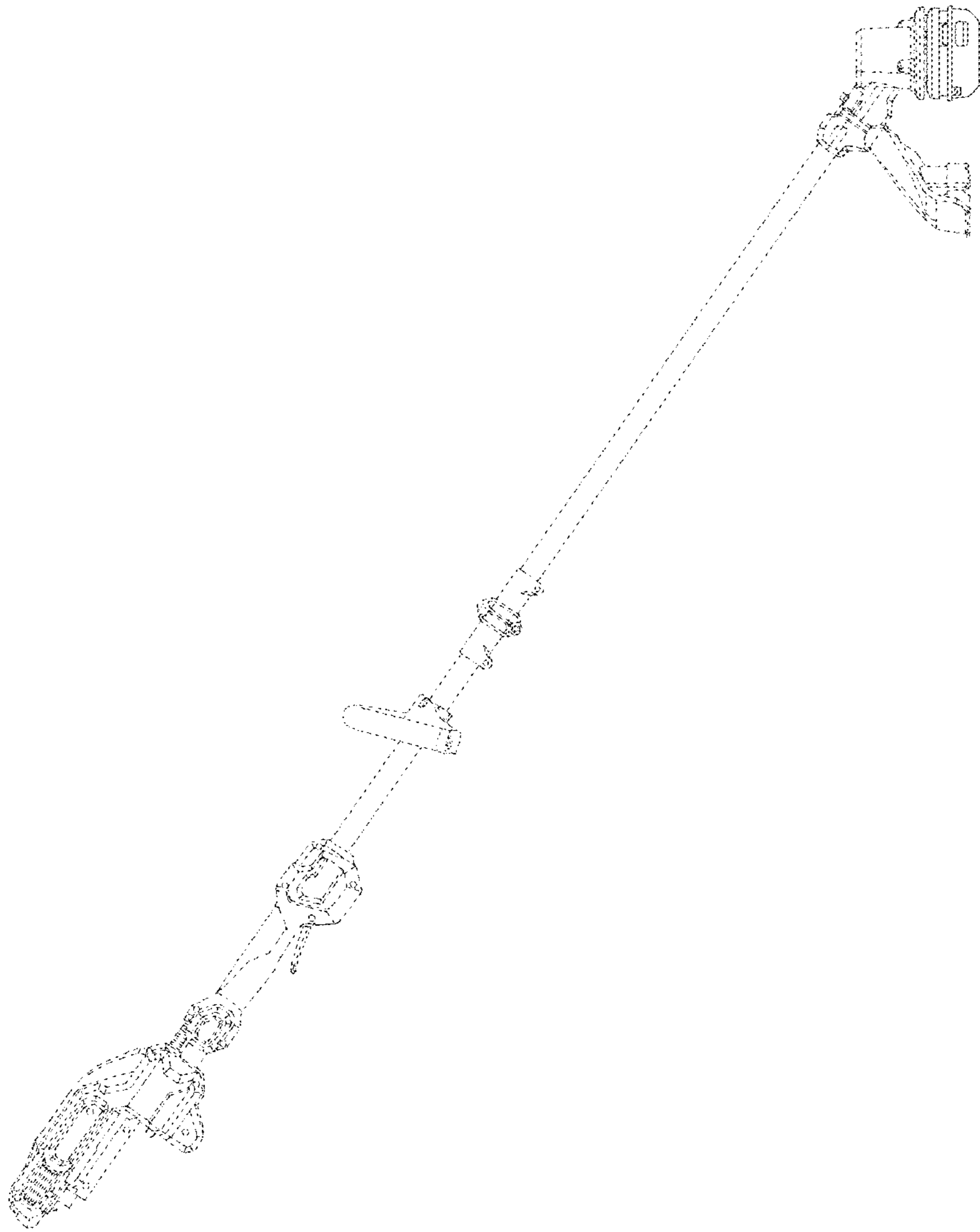


Fig. 2

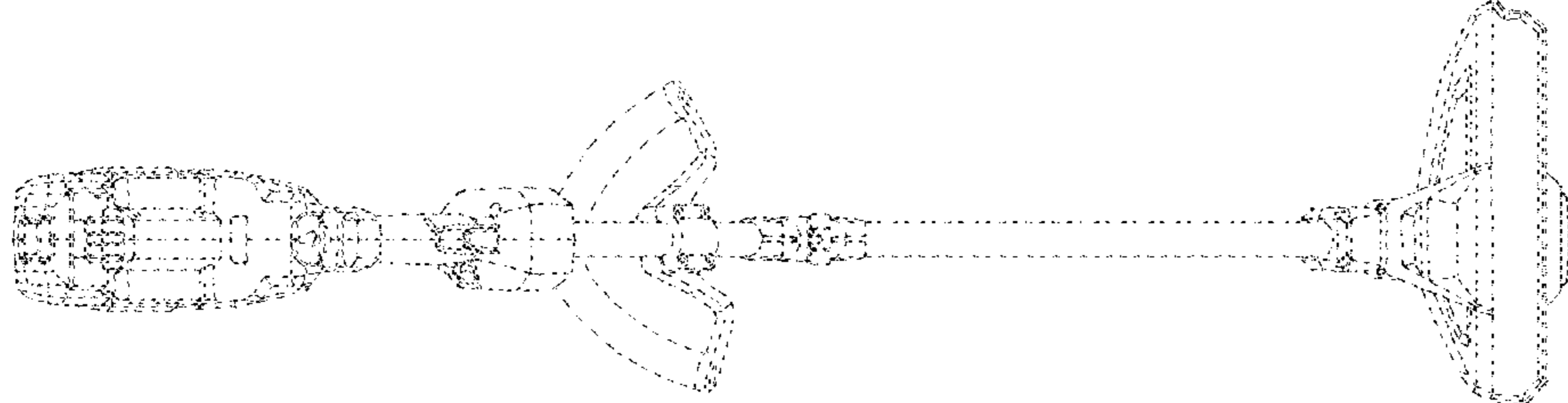


Fig. 3

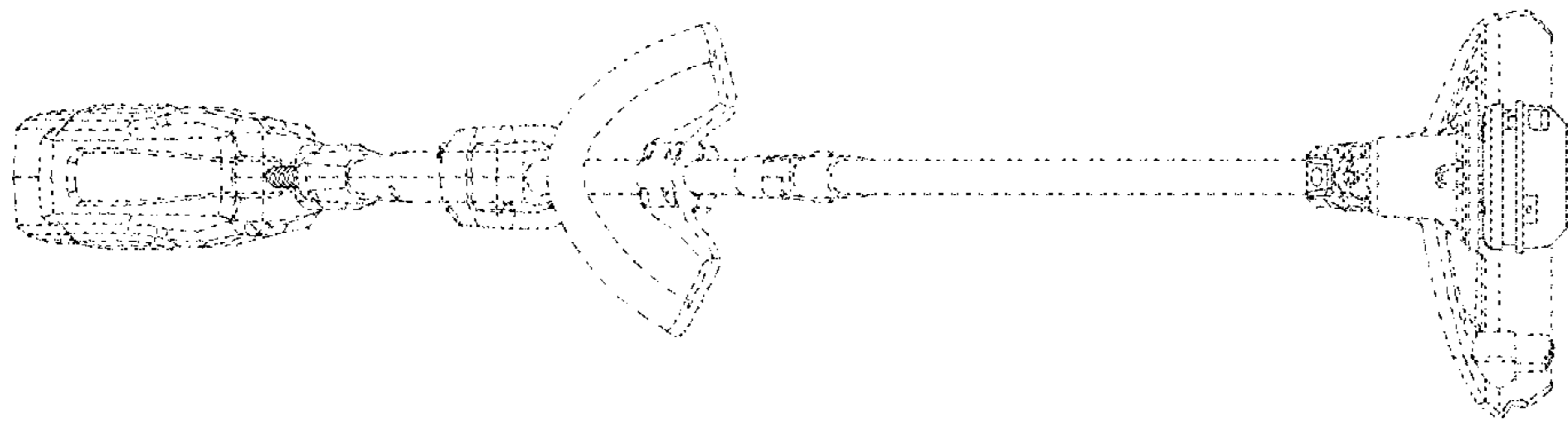


Fig. 4

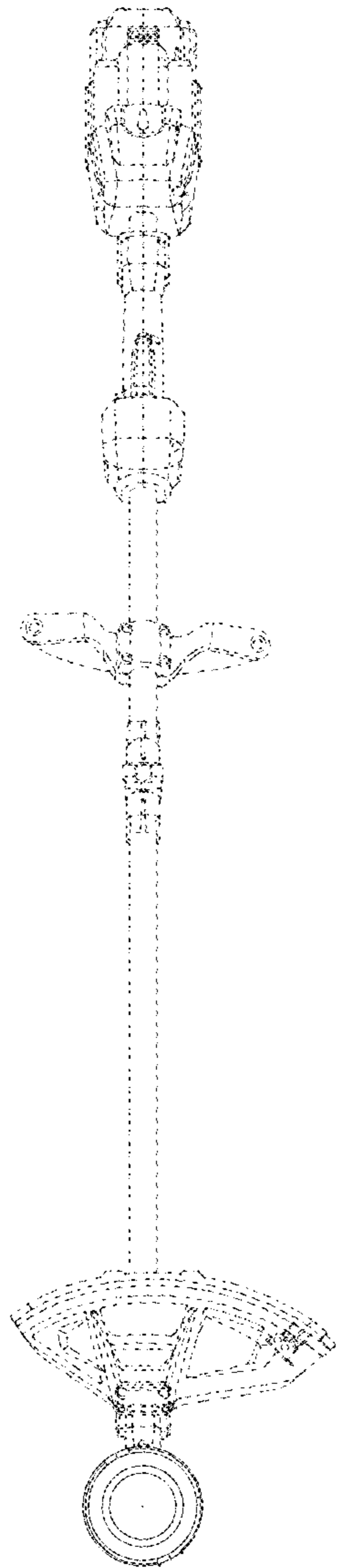


Fig. 5

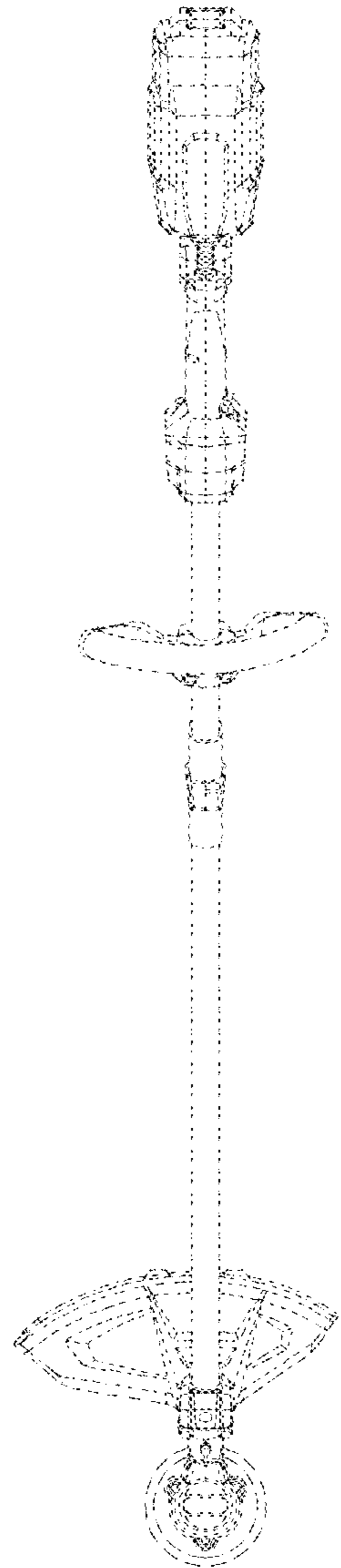


Fig. 6

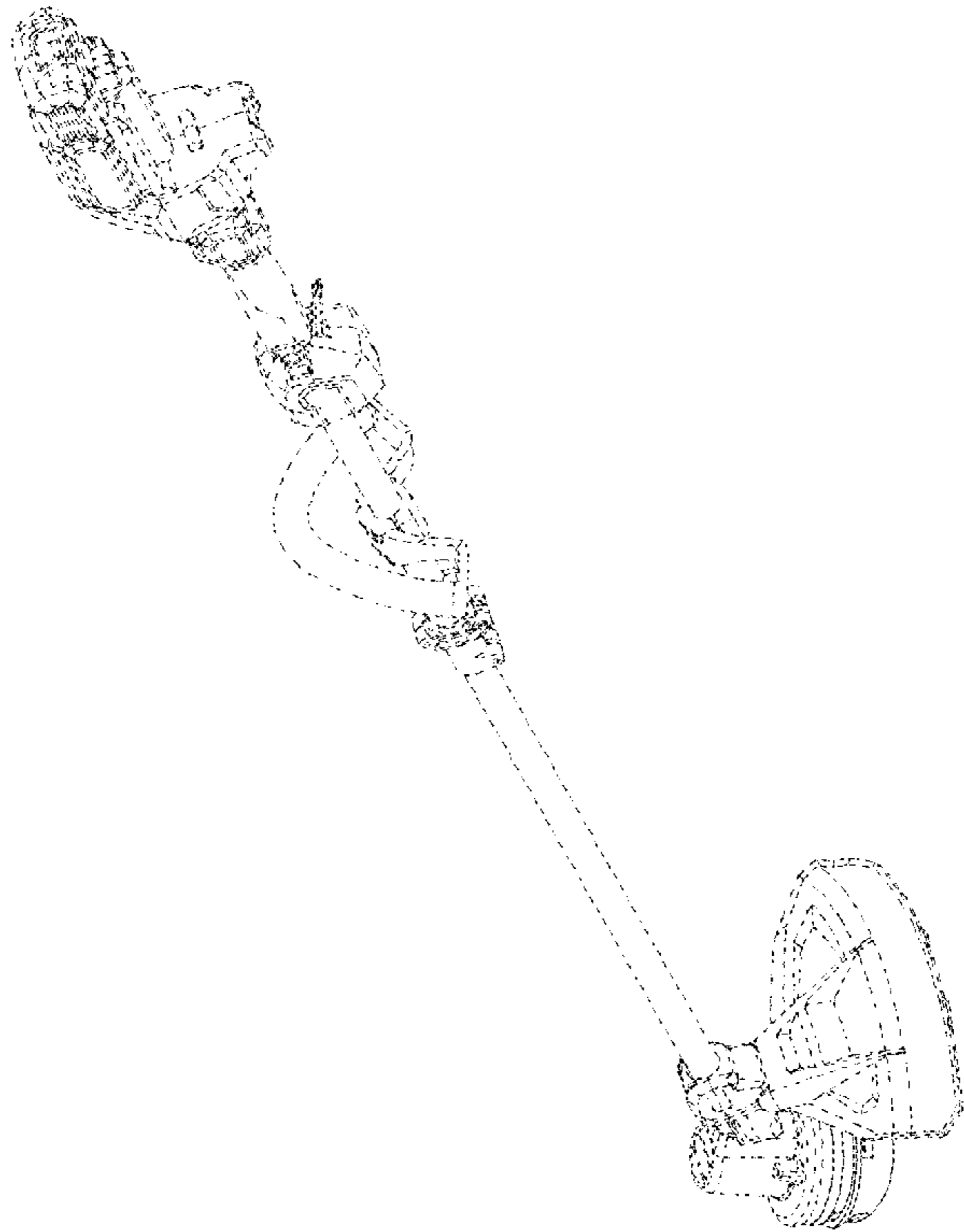


Fig. 7

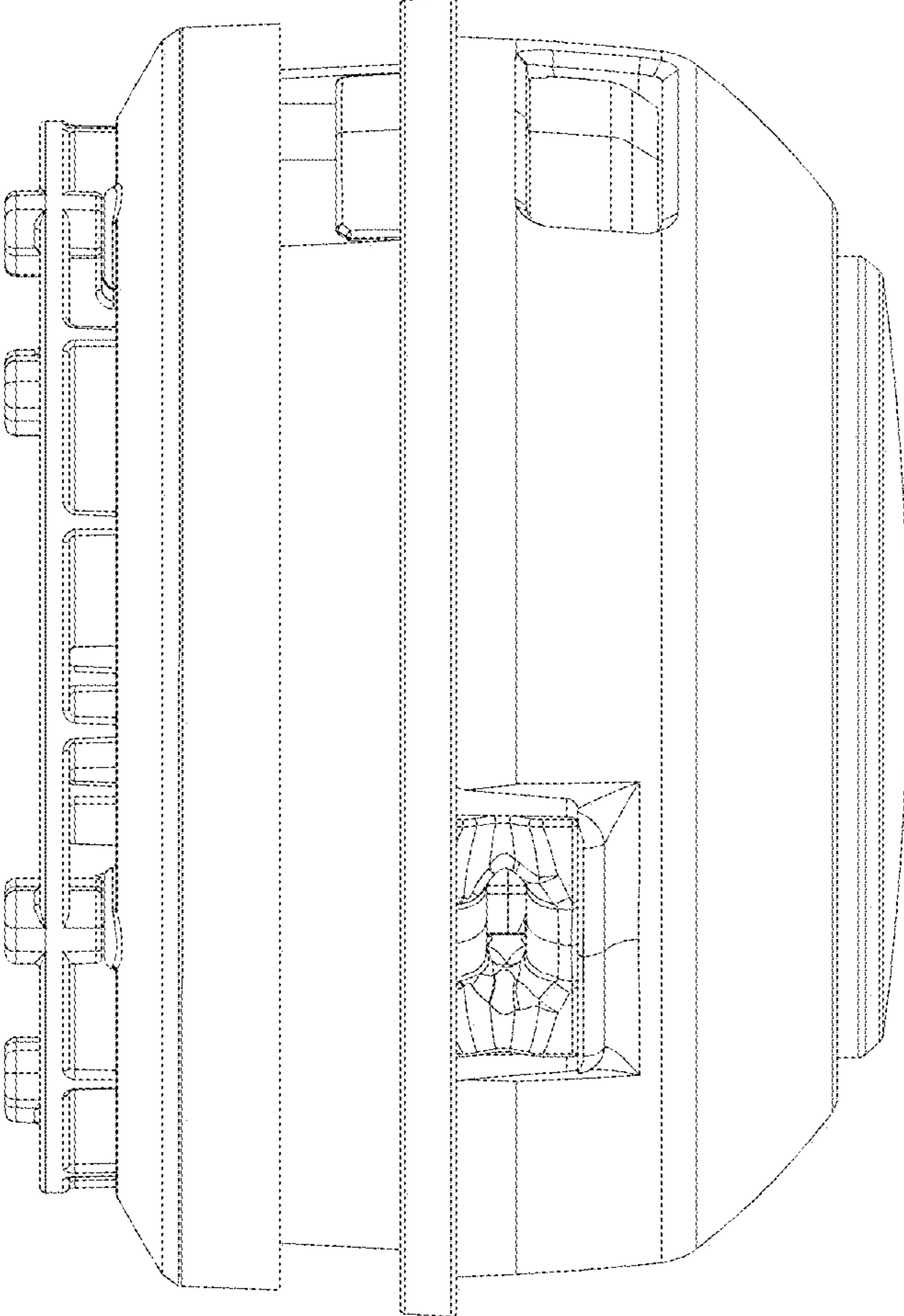


Fig. 8

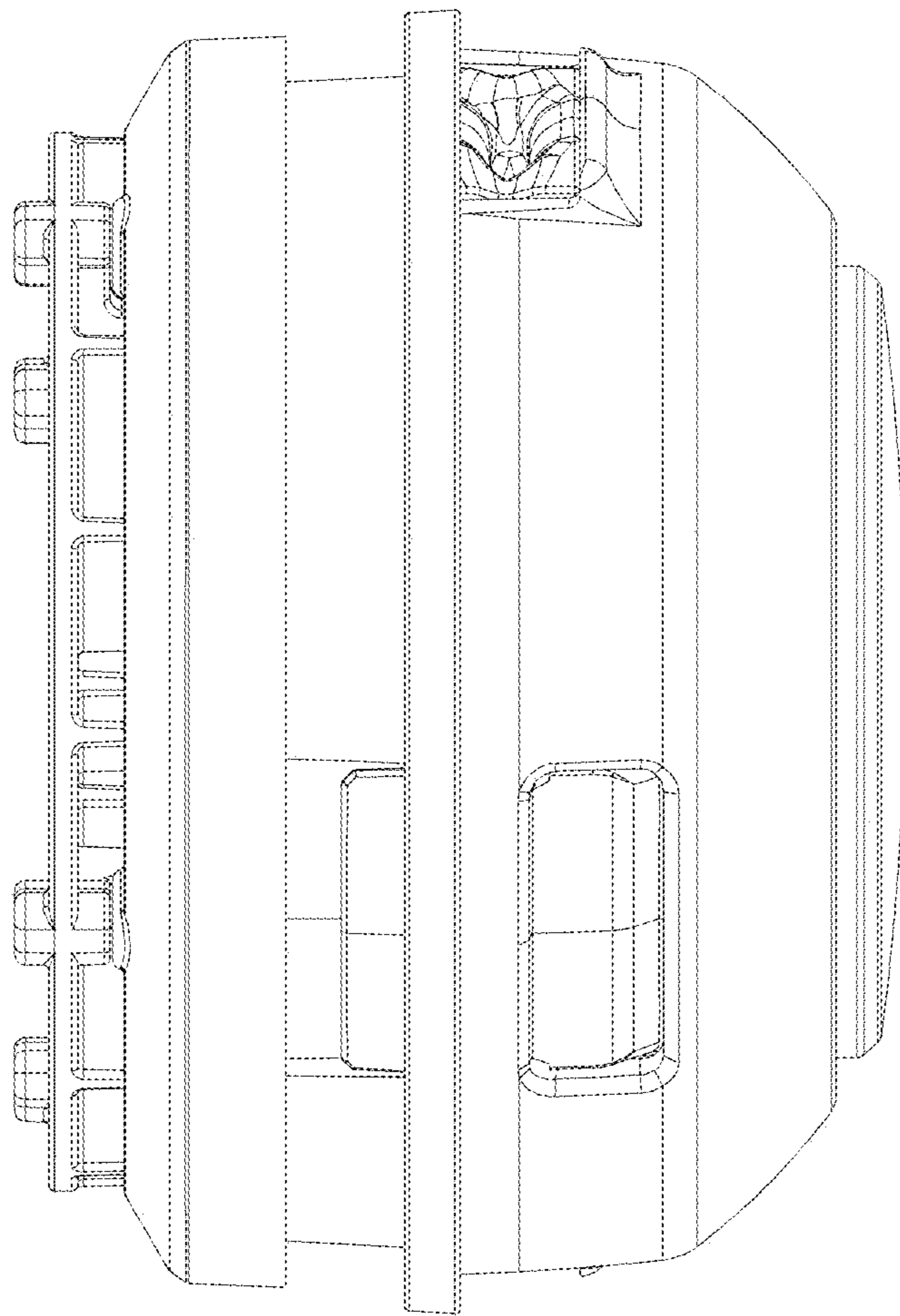


Fig. 9

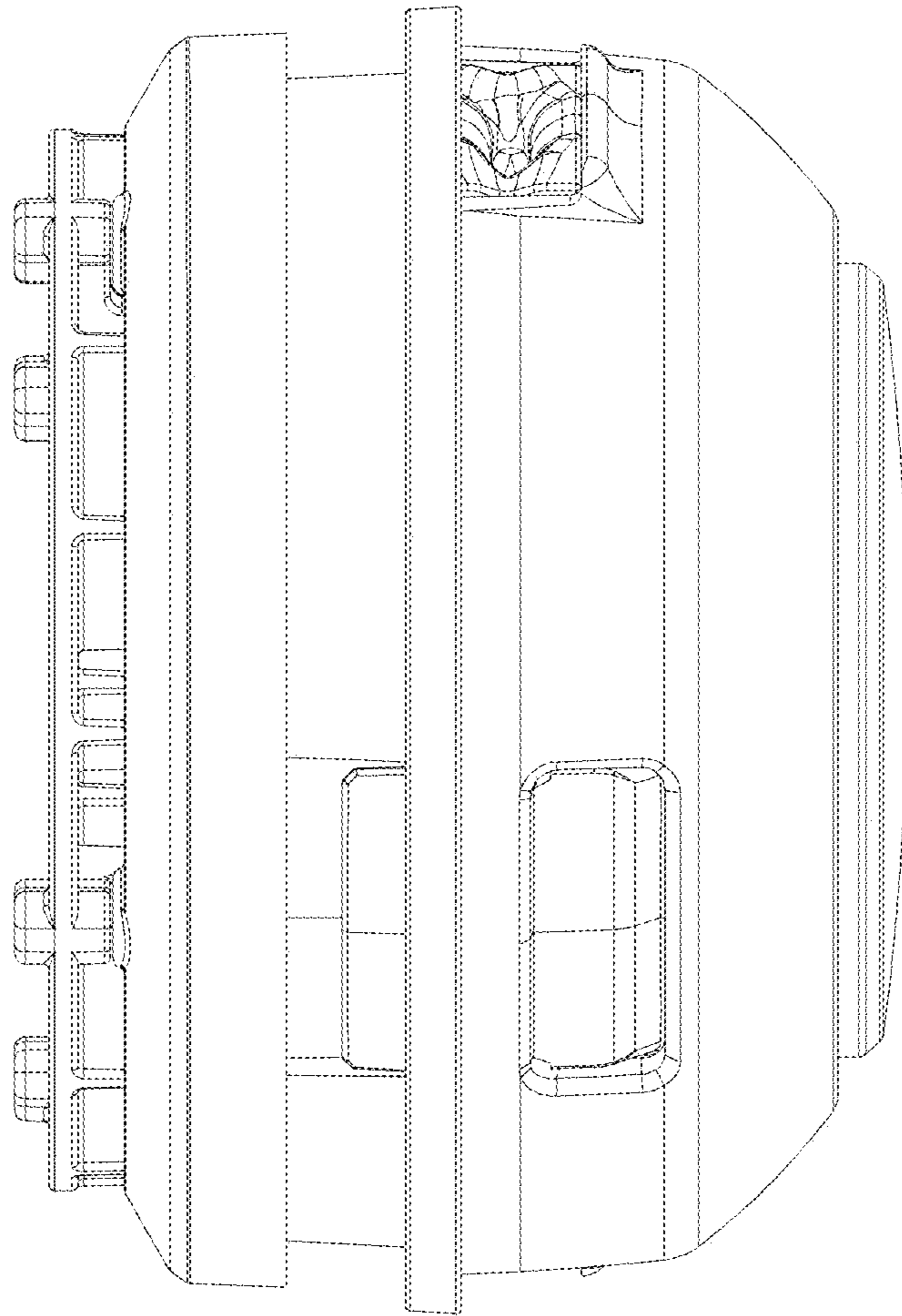


Fig. 10

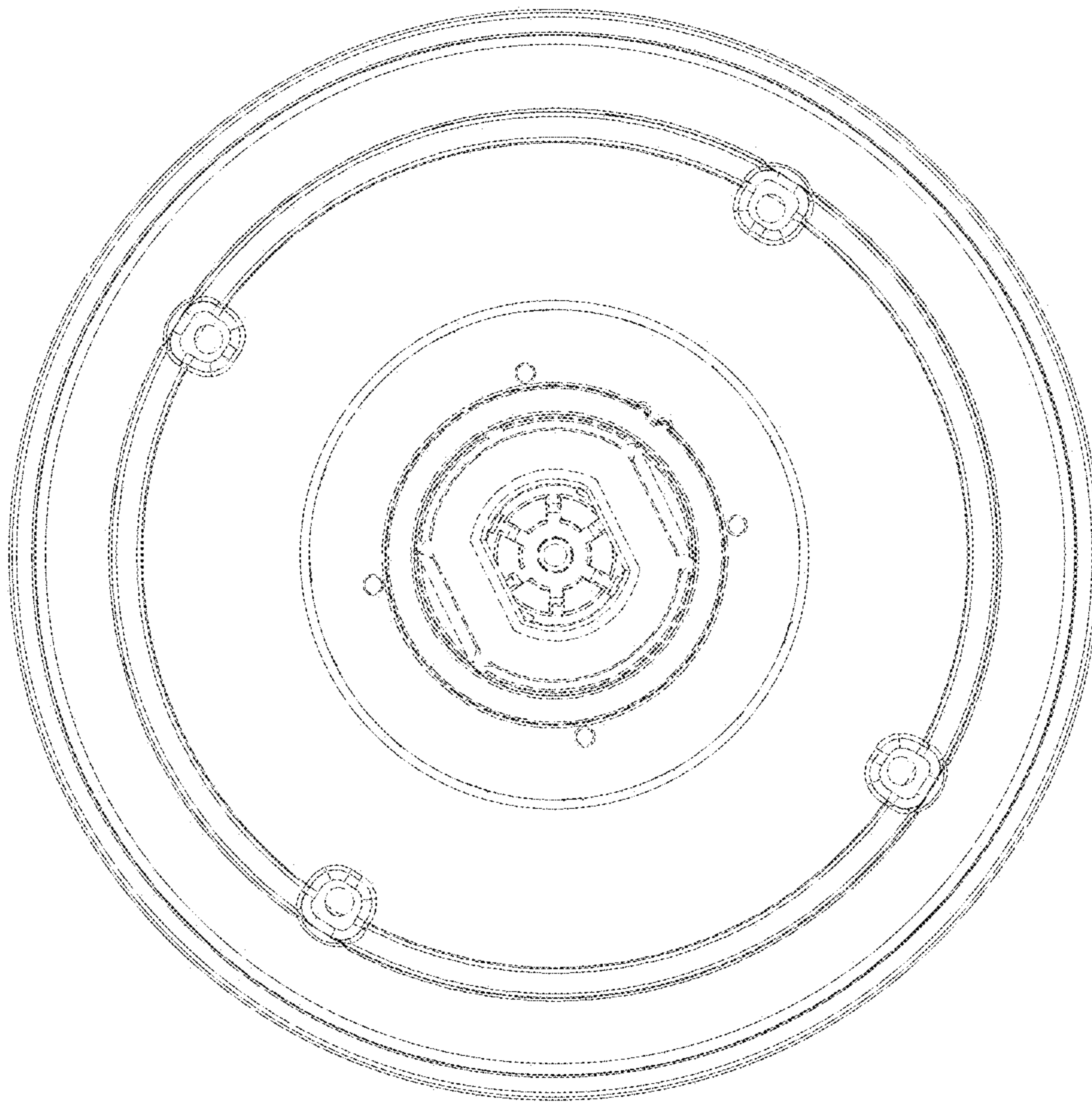


Fig. 11

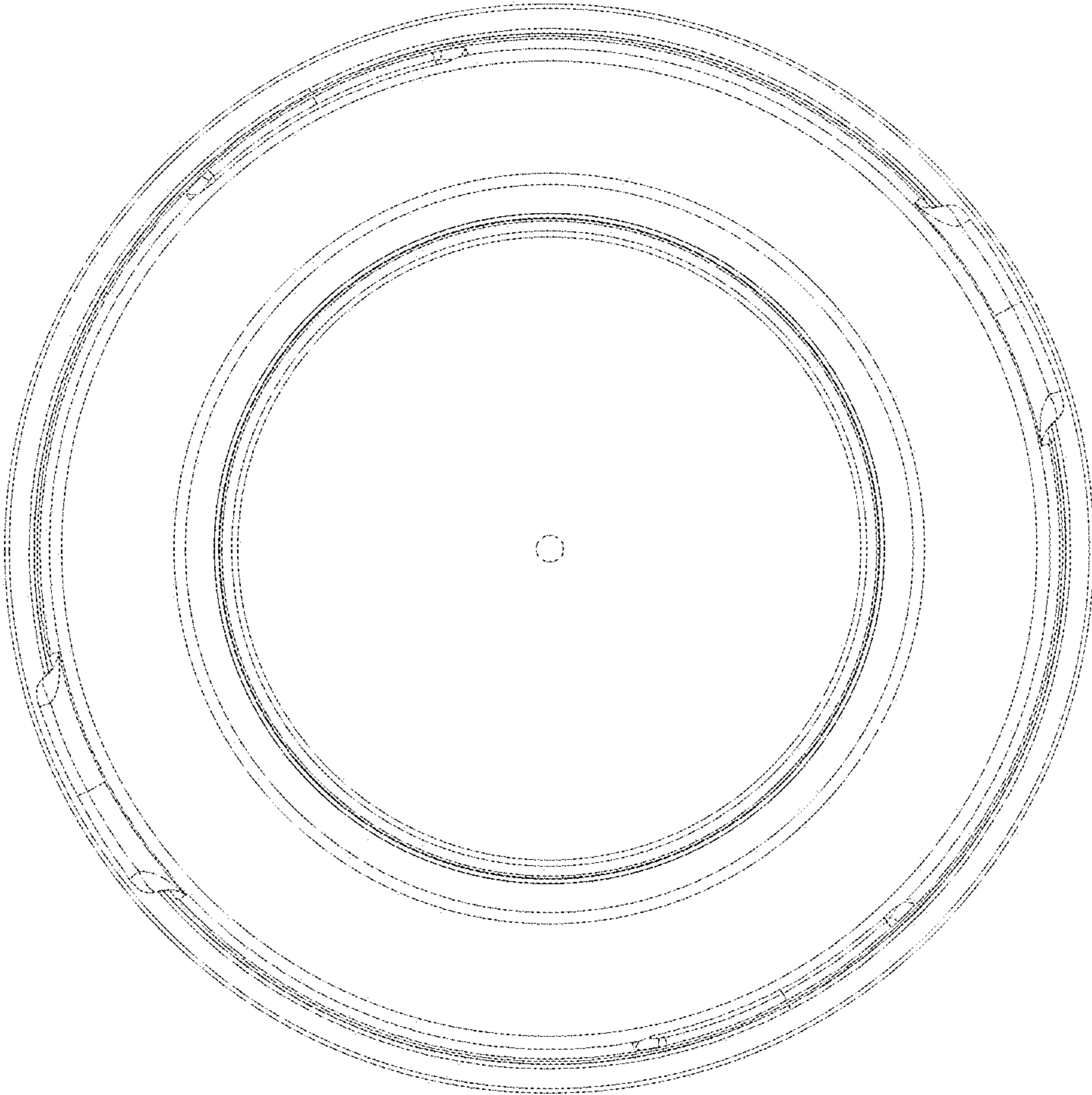


Fig. 12

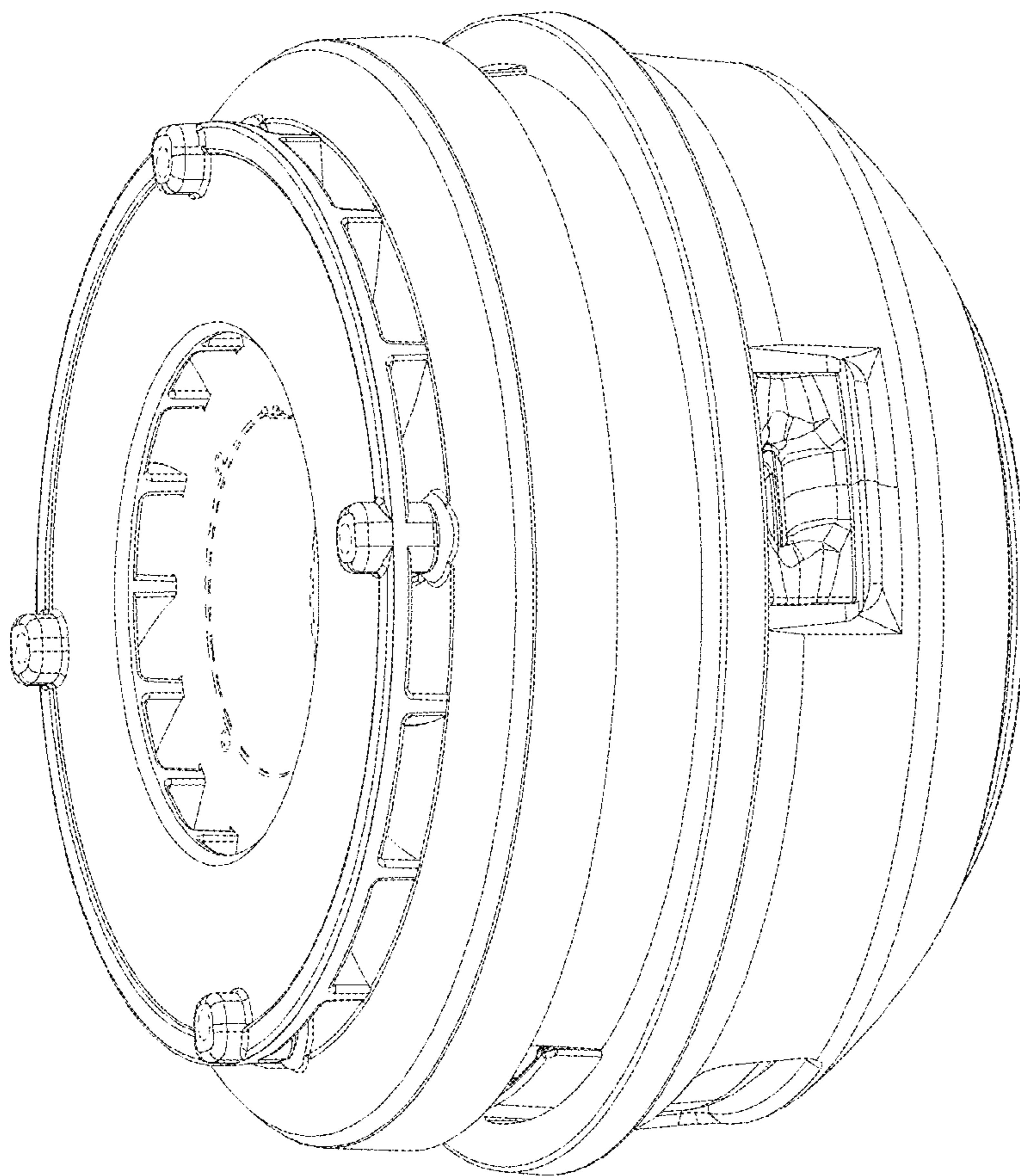


Fig. 13