



US00D894697S

(12) **United States Design Patent** (10) **Patent No.:** **US D894,697 S**
Stewart (45) **Date of Patent:** **** Sep. 1, 2020**

(54) **KITCHEN UTENSIL**
(71) Applicant: **Rachael E. Stewart**, Solon, OH (US)
(72) Inventor: **Rachael E. Stewart**, Solon, OH (US)
(**) Term: **15 Years**
(21) Appl. No.: **29/671,864**
(22) Filed: **Nov. 30, 2018**
(51) **LOC (12) Cl.** **07-04**
(52) **U.S. Cl.**
USPC **D7/672**
(58) **Field of Classification Search**
USPC D7/672-677, 680-696
CPC A47J 43/20; A21C 11/106; A21C 15/04;
B26D 1/00; B26D 1/01; B26D 3/26;
B26B 3/04
See application file for complete search history.

(56) **References Cited**
U.S. PATENT DOCUMENTS
388,904 A * 9/1888 Nash A21C 11/106
30/301
1,978,532 A 10/1934 Gurnee

2,665,649 A * 1/1954 Cesare A21C 11/106
425/299
2,695,450 A 11/1954 Platts
4,606,123 A 8/1986 Wrench
D621,668 S * 8/2010 Zemel D7/672
D679,961 S * 4/2013 Zemel D7/672
D770,866 S * 11/2016 Bernheim D7/672
D770,867 S * 11/2016 Repac D7/672
2003/0204914 A1 11/2003 Bernardeau

* cited by examiner

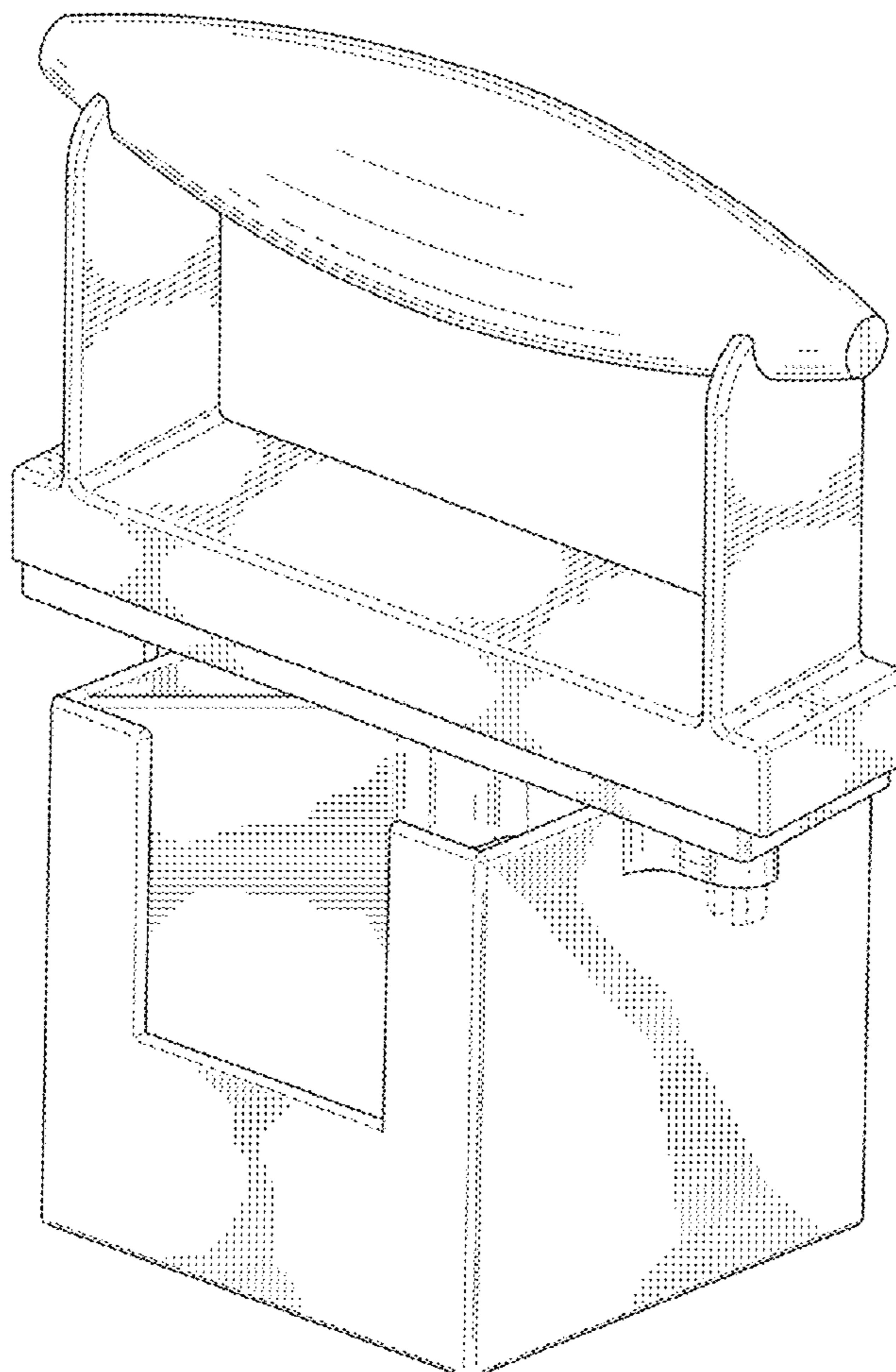
Primary Examiner — Terry A Wallace
(74) *Attorney, Agent, or Firm* — Allen Dyer

(57) **CLAIM**
The ornamental design for kitchen utensil, as shown and described.

DESCRIPTION

FIG. 1 is a top perspective view of a kitchen utensil;
FIG. 2 is a front elevational view of the kitchen utensil;
FIG. 3 is a rear elevational view of the kitchen utensil;
FIG. 4 is a left side view of the kitchen utensil;
FIG. 5 is a right side view of the kitchen utensil;
FIG. 6 is a top view of the kitchen utensil; and,
FIG. 7 is a bottom view of the kitchen utensil.
The broken lines are for illustrative purposes only and form no part of the claimed design.

1 Claim, 6 Drawing Sheets



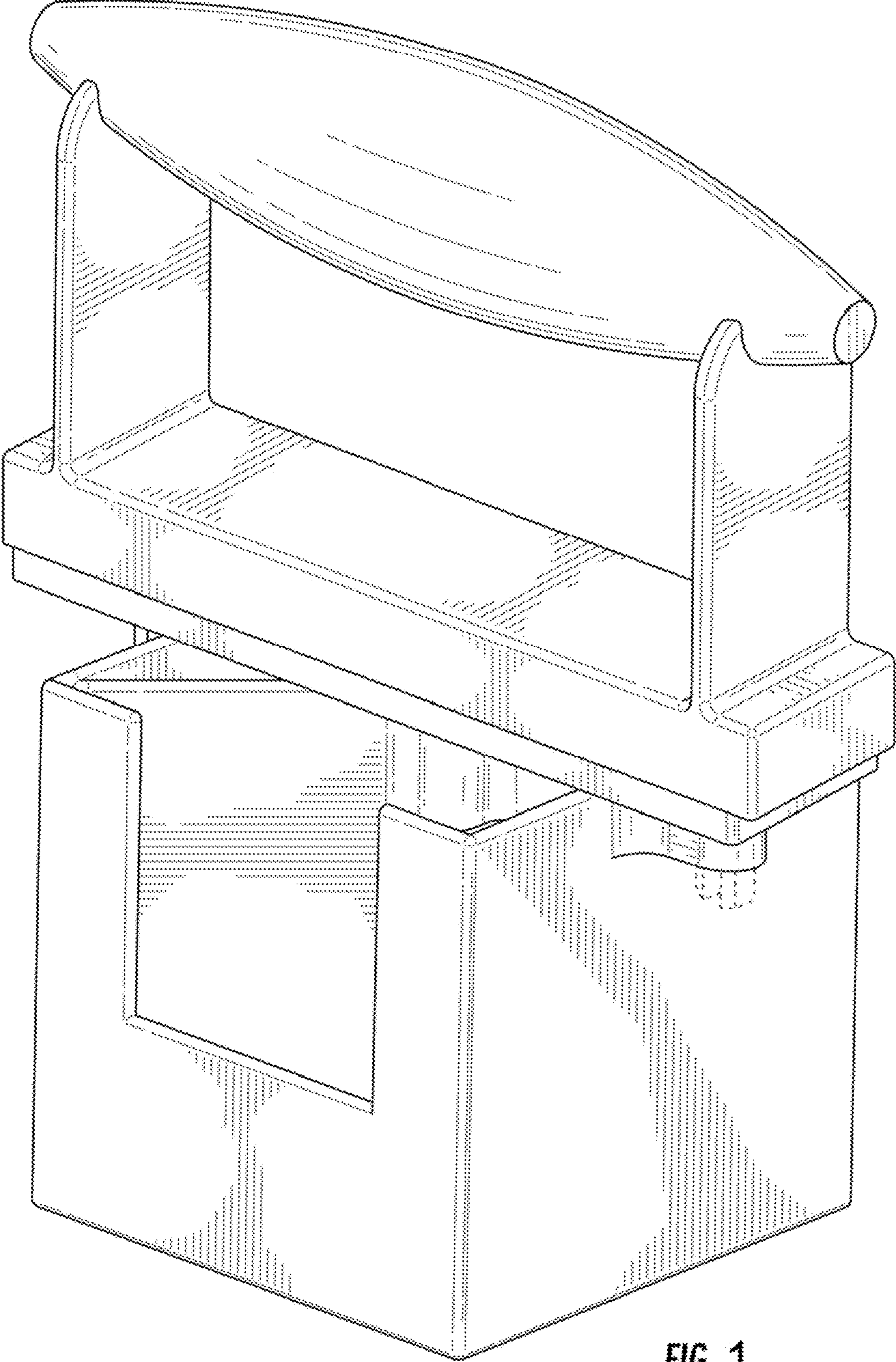


FIG. 1

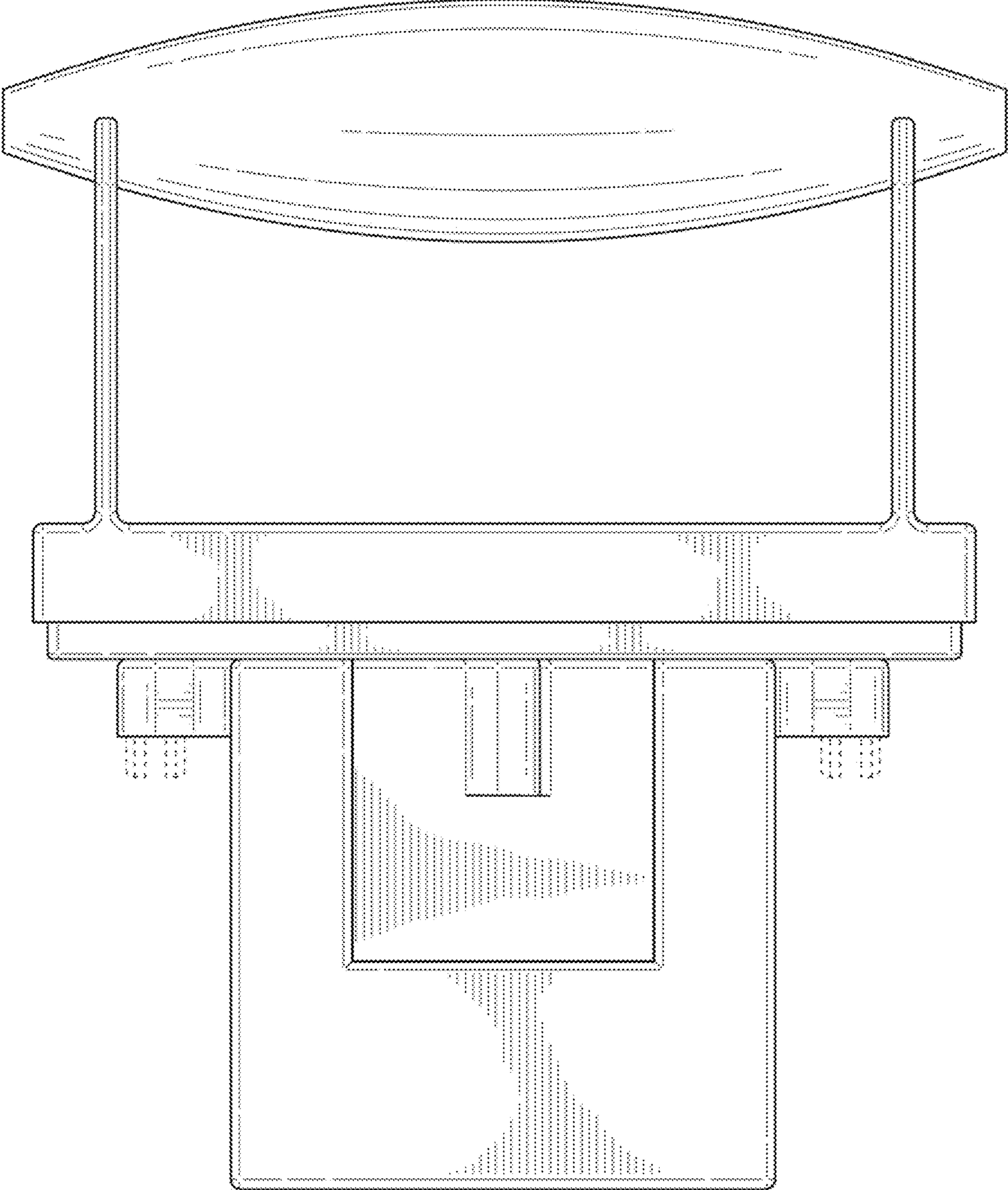


FIG. 2

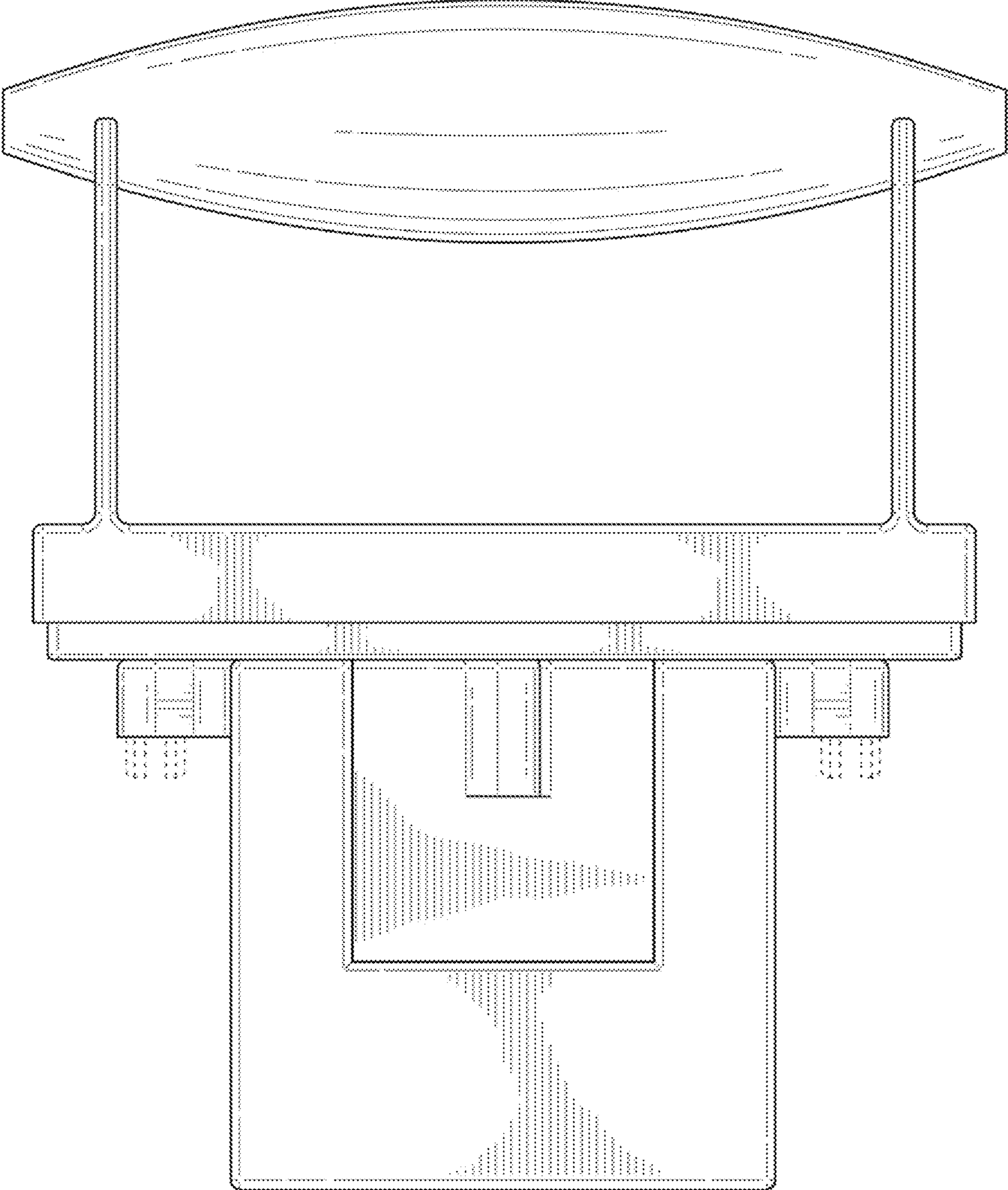


FIG. 3

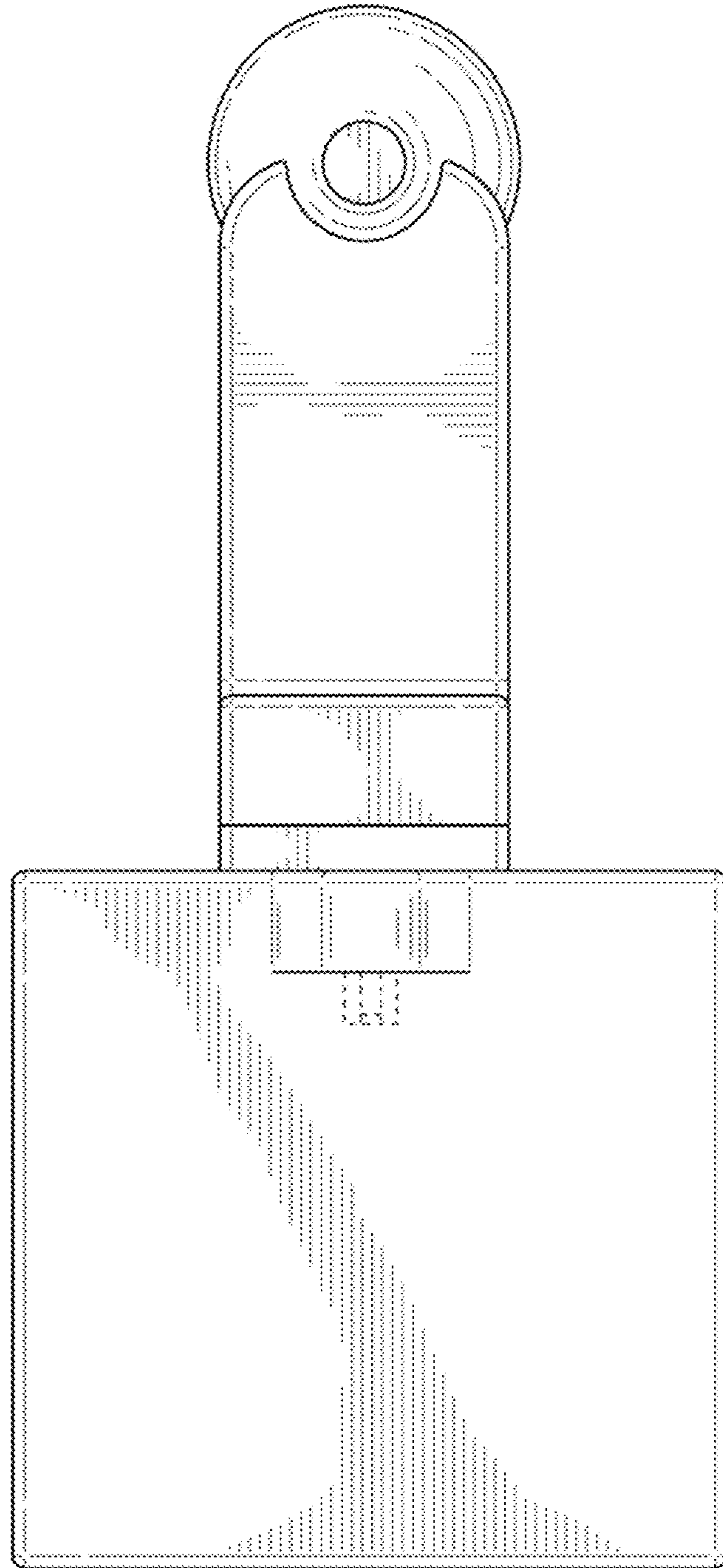


FIG. 4

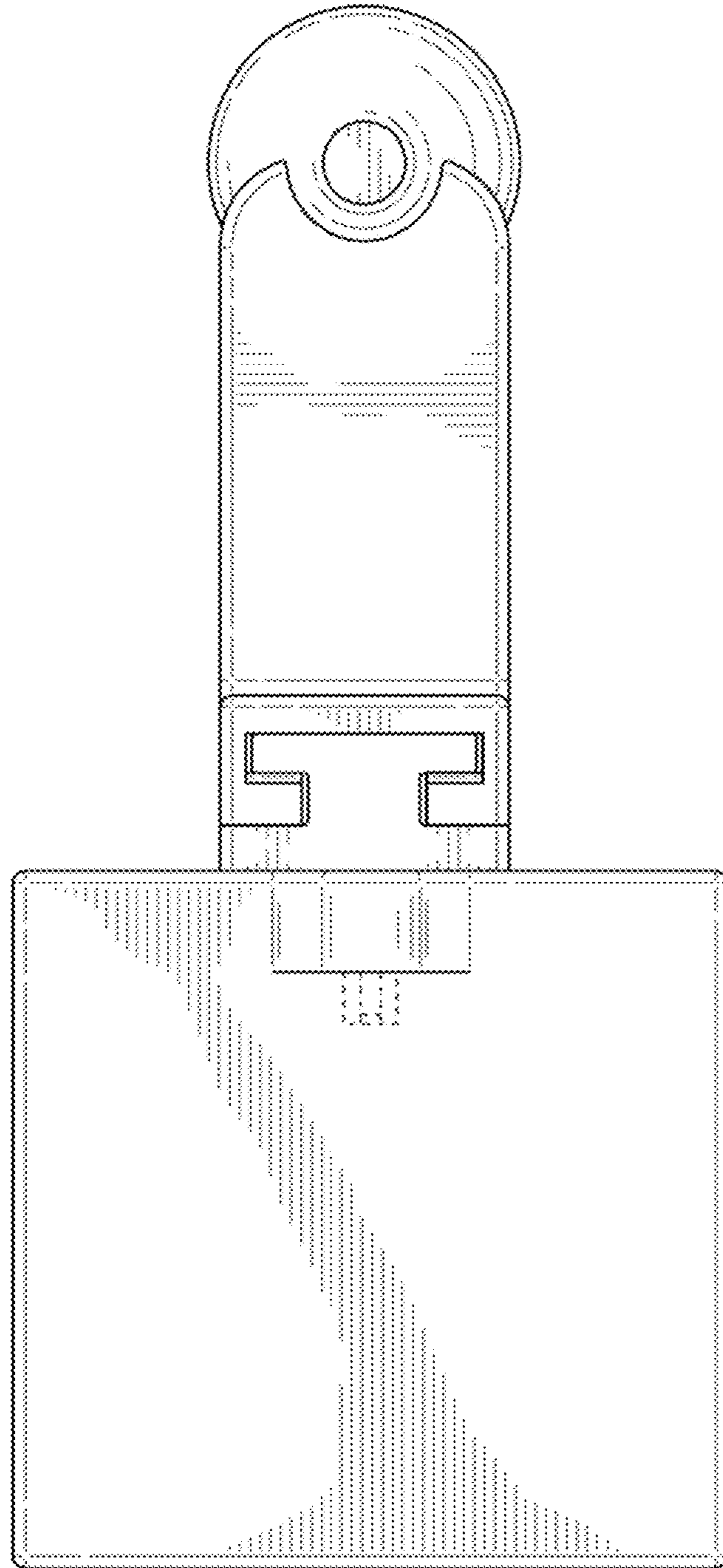


FIG. 5

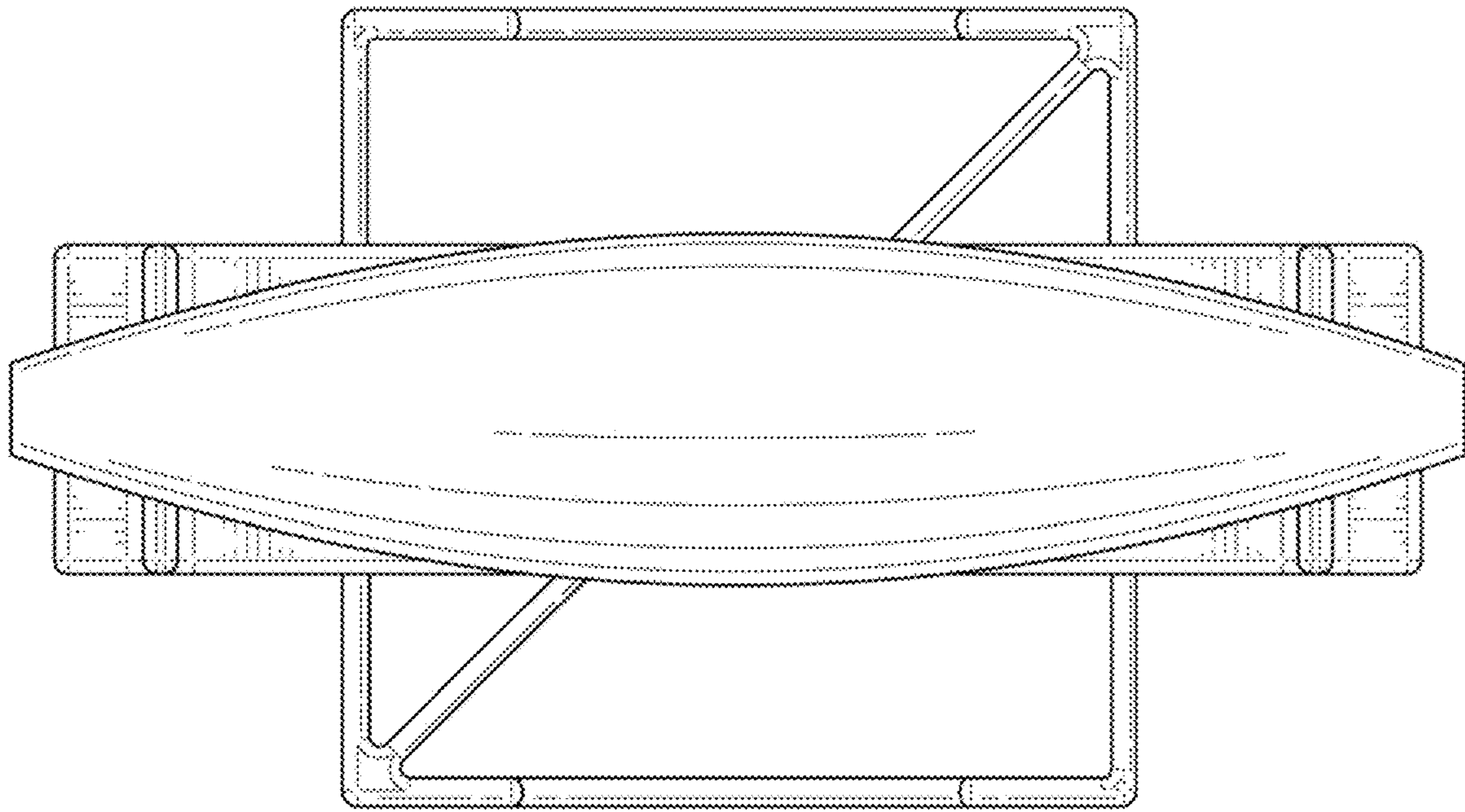


FIG. 6

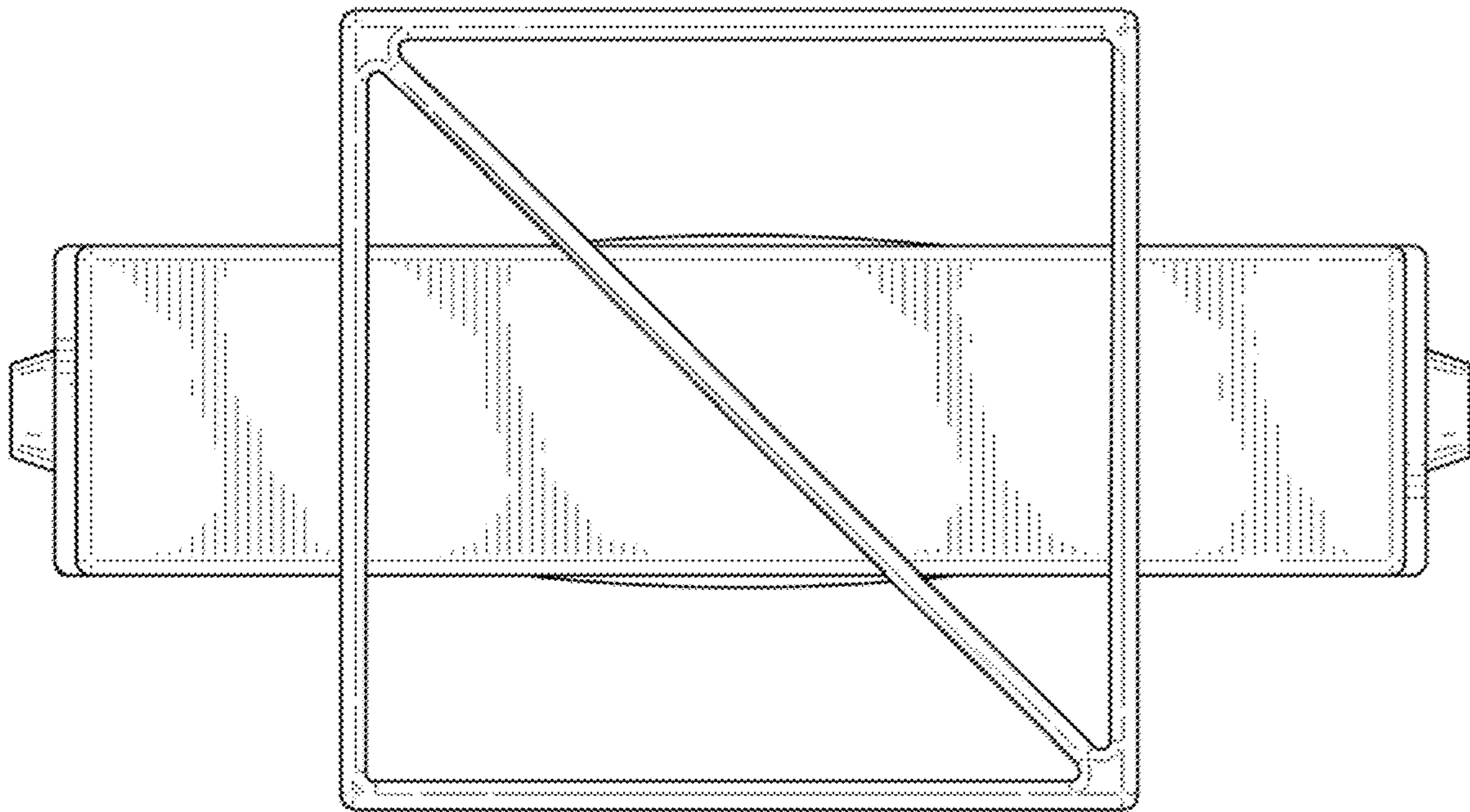


FIG. 7