



US00D894696S

(12) **United States Design Patent** (10) **Patent No.:** **US D894,696 S**
Tsui (45) **Date of Patent:** **** Sep. 1, 2020**

(54) **COLLAPSIBLE OVER THE SINK BASKET**

(71) Applicant: **Sam Tung Tsui**, Kowloon (HK)

(72) Inventor: **Sam Tung Tsui**, Kowloon (HK)

(**) Term: **15 Years**

(21) Appl. No.: **29/662,738**

(22) Filed: **Sep. 7, 2018**

(51) **LOC (12) Cl.** **07-04**

(52) **U.S. Cl.**
USPC **D7/667**; D32/55

(58) **Field of Classification Search**
USPC D7/601, 602, 629, 630, 538-542, 667,
D7/356, 354, 584, 586, 587, 392.1, 391;
D32/55; D3/304, 305, 306

(Continued)

(56) **References Cited**

U.S. PATENT DOCUMENTS

1,389,908 A * 9/1921 Shults A47L 19/04
211/85.25

D244,827 S * 6/1977 Nevai D32/55
(Continued)

FOREIGN PATENT DOCUMENTS

AU 201614934 9/2016
CN 204527899 U 8/2015

(Continued)

OTHER PUBLICATIONS

U.S. Appl. No. 29/657,368, filed Jul. 20, 2018 titled Collapsible
Laundry Basket, Inventor Sam Tung Tsui.

(Continued)

Primary Examiner — Terry A Wallace

(74) *Attorney, Agent, or Firm* — Hinshaw & Culbertson
LLP

(57) **CLAIM**

I claim the ornamental design for a collapsible over the sink basket, as shown and described.

DESCRIPTION

FIG. 1 is a front and top perspective view of a first collapsible over the sink basket embodiment of the invention in a collapsed position.

FIG. 2 is a left side elevation view of the first embodiment of the invention in a collapsed position, the right side elevation view being a mirror image of the left side elevation view.

FIG. 3 is a front elevation view of the first embodiment of the invention in a collapsed position, the rear elevation view being a mirror image of the front elevation view.

FIG. 4 is a top plan view of the first embodiment of the invention in a collapsed position.

FIG. 5 is a bottom plan view of the first embodiment of the invention in a collapsed position.

FIG. 6 is a front and top perspective view of the first embodiment of the invention in an expanded position.

FIG. 7 is a left side elevation view of the first embodiment of the invention in an expanded position, the right side elevation view being a mirror image of the left side elevation view.

FIG. 8 is a front elevation view of the first embodiment of the invention in an expanded position, the rear elevation view being a mirror image of the front elevation view.

FIG. 9 is a top plan view of the first embodiment of the invention in an expanded position.

FIG. 10 is a bottom plan view of the first embodiment of the invention in an expanded position.

FIG. 11 is a front and top perspective view of a second collapsible over the sink basket embodiment of the invention in a collapsed position.

FIG. 12 is a left side elevation view of the second embodiment of the invention in a collapsed position, the right side elevation view being a mirror image of the left side elevation view.

FIG. 13 is a front elevation view of the second embodiment of the invention in a collapsed position, the rear elevation view being a mirror image of the front elevation view.

(Continued)

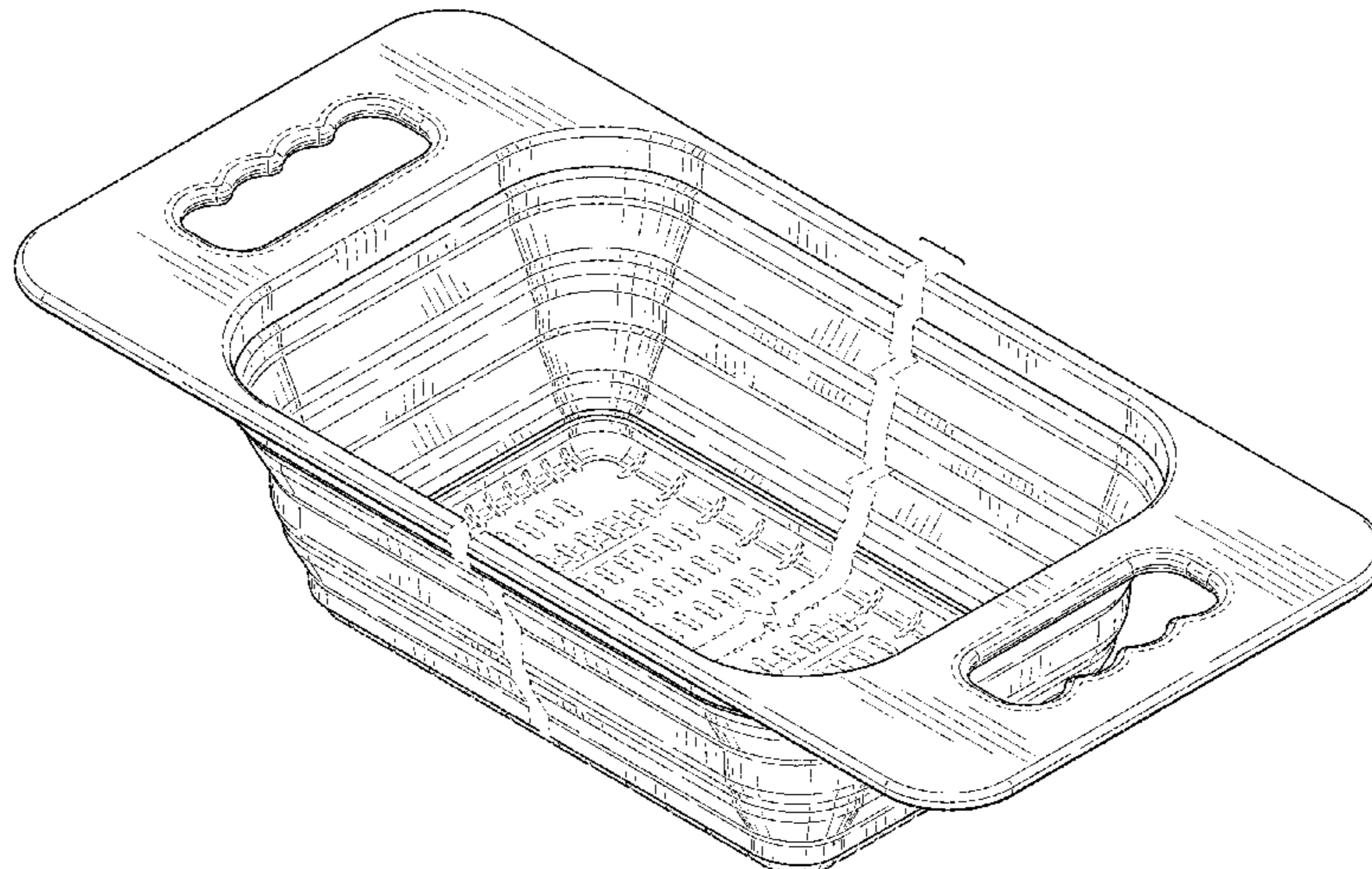


FIG. 14 is a top plan view of the second embodiment of the invention in a collapsed position.

FIG. 15 is a bottom plan view of the second embodiment of the invention in a collapsed position.

FIG. 16 is a front and top perspective view of the second embodiment of the invention in an expanded position.

FIG. 17 is a left side elevation view of the second embodiment of the invention in an expanded position, the right side elevation view being a mirror image of the left side elevation view.

FIG. 18 is a front elevation view of the second embodiment of the invention in an expanded position, the rear elevation view being a mirror image of the front elevation view.

FIG. 19 is a top plan view of the second embodiment of the invention in an expanded position.

FIG. 20 is a bottom plan view of the second embodiment of the invention in an expanded position.

FIG. 21 is a front and top perspective view of a third collapsible over the sink basket embodiment of the invention in a collapsed position.

FIG. 22 is a left side elevation view of the third embodiment of the invention in a collapsed position, the right side elevation view being a mirror image of the left side elevation view.

FIG. 23 is a front elevation view of the third embodiment of the invention in a collapsed position, the rear elevation view being a mirror image of the front elevation view.

FIG. 24 is a top plan view of the third embodiment of the invention in a collapsed position.

FIG. 25 is a bottom plan view of the third embodiment of the invention in a collapsed position.

FIG. 26 is a front and top perspective view of the third embodiment of the invention in an expanded position.

FIG. 27 is a left side elevation view of the third embodiment of the invention in an expanded position, the right side elevation view being a mirror image of the left side elevation view.

FIG. 28 is a front elevation view of the third embodiment of the invention in an expanded position, the rear elevation view being a mirror image of the front elevation view.

FIG. 29 is a top plan view of the third embodiment of the invention in an expanded position; and,

FIG. 30 is a bottom plan view of the third embodiment of the invention in an expanded position.

The baskets are shown partially broken away to indicate indeterminate length. The broken away portions of the baskets follow the configuration and detailing of the portions shown adjacent to the broken away portions.

The broken lines in the drawings depict environment subject matter only and form no part of the claimed design.

1 Claim, 24 Drawing Sheets

(58) **Field of Classification Search**

CPC B65D 11/16; B65D 43/0218; B65D 1/22;
A47J 47/10; A47J 47/20; A47J 47/00;
A47J 47/16; A47J 43/24; A47J 43/286;
A47J 43/28; A47J 36/20; A47J 36/22;
A23G 3/26; A47L 19/04

See application file for complete search history.

(56) **References Cited**

U.S. PATENT DOCUMENTS

4,033,461	A *	7/1977	Nevai	A47J 47/20 211/85.25
D346,725	S *	5/1994	Kolada	D7/667
D558,535	S *	1/2008	Curtin	D7/667
D671,802	S *	12/2012	Lee	D7/667
D731,261	S *	6/2015	Hauser	D7/667
9,386,886	B2 *	7/2016	Lee	A47J 47/20
D777,535	S *	1/2017	Zemel	D7/629
9,926,105	B2	3/2018	Tsui	
D828,068	S	9/2018	Tsui	
10,196,169	B2	2/2019	Tsui	
D854,324	S	7/2019	Tsui	
2019/0085503	A1	3/2019	Tsui	
2019/0119000	A1	4/2019	Tsui	

FOREIGN PATENT DOCUMENTS

CN	206680536	U	1/2018
CN	207477319	U	6/2018

OTHER PUBLICATIONS

Normann Copenhagen, Strainer blue, Funnel & Strainer, 6 pages, visited Dec. 19, 2013, available at <<http://www.normann-copenhagen.com/products/strainer>>.

* cited by examiner

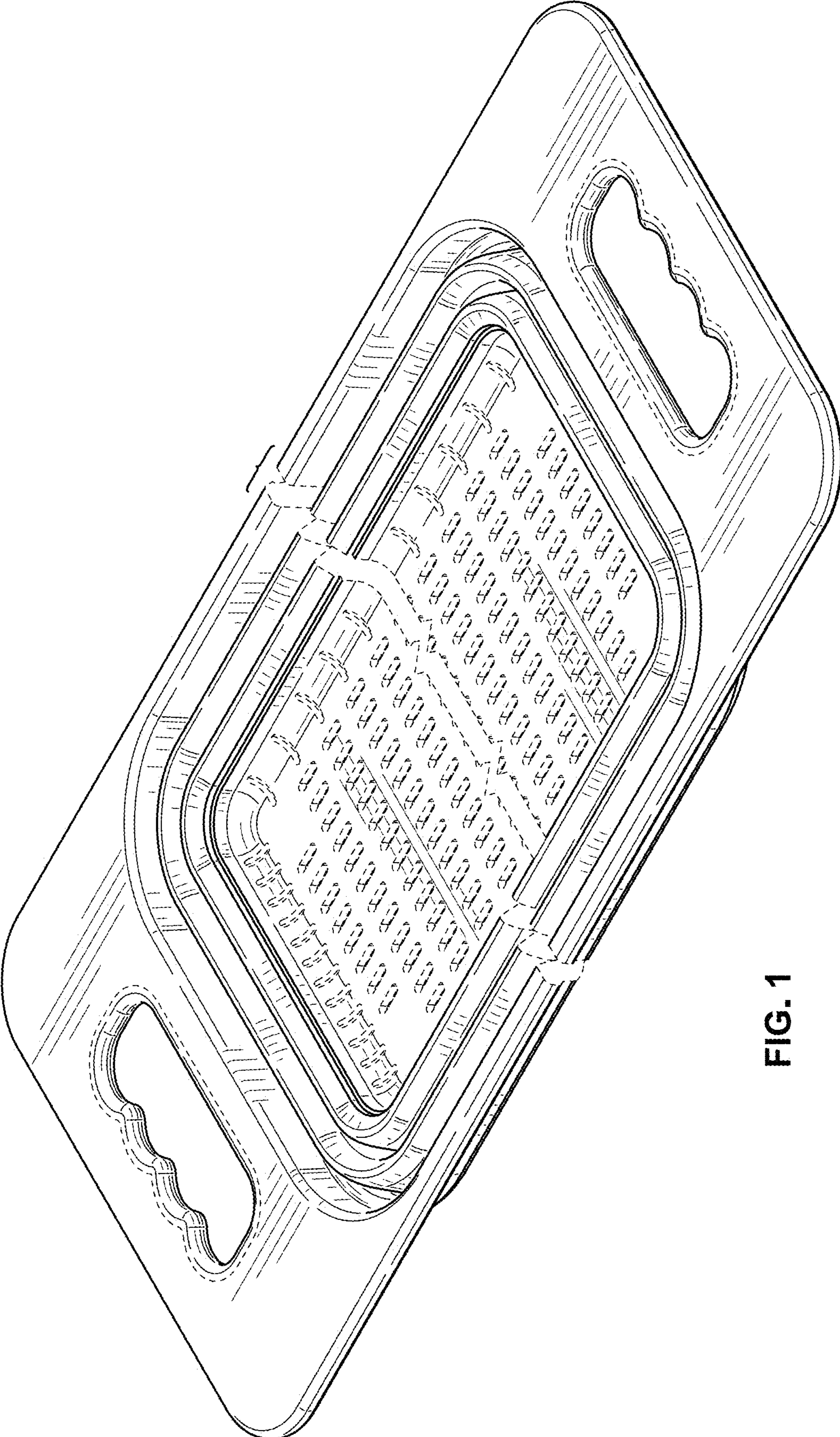


FIG. 1

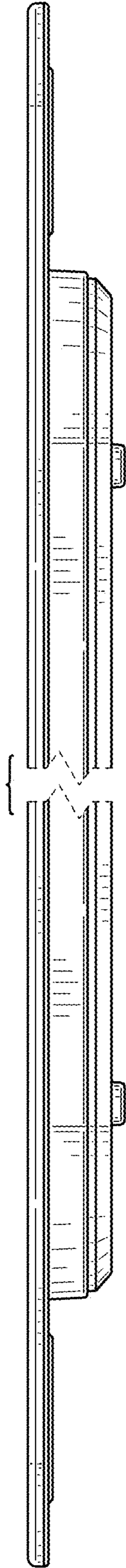


FIG. 2

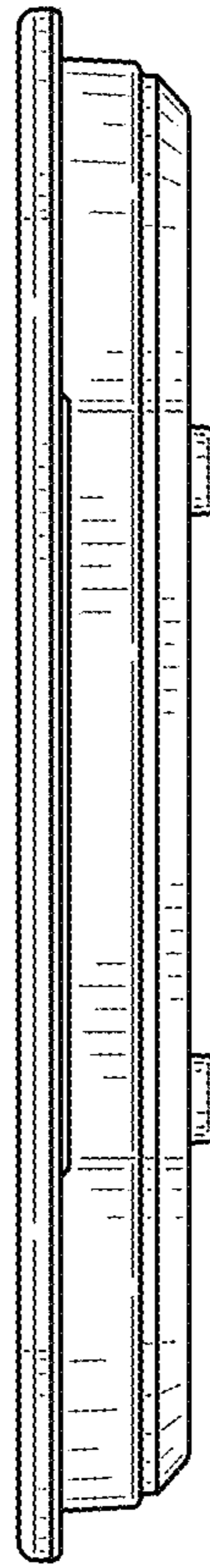


FIG. 3

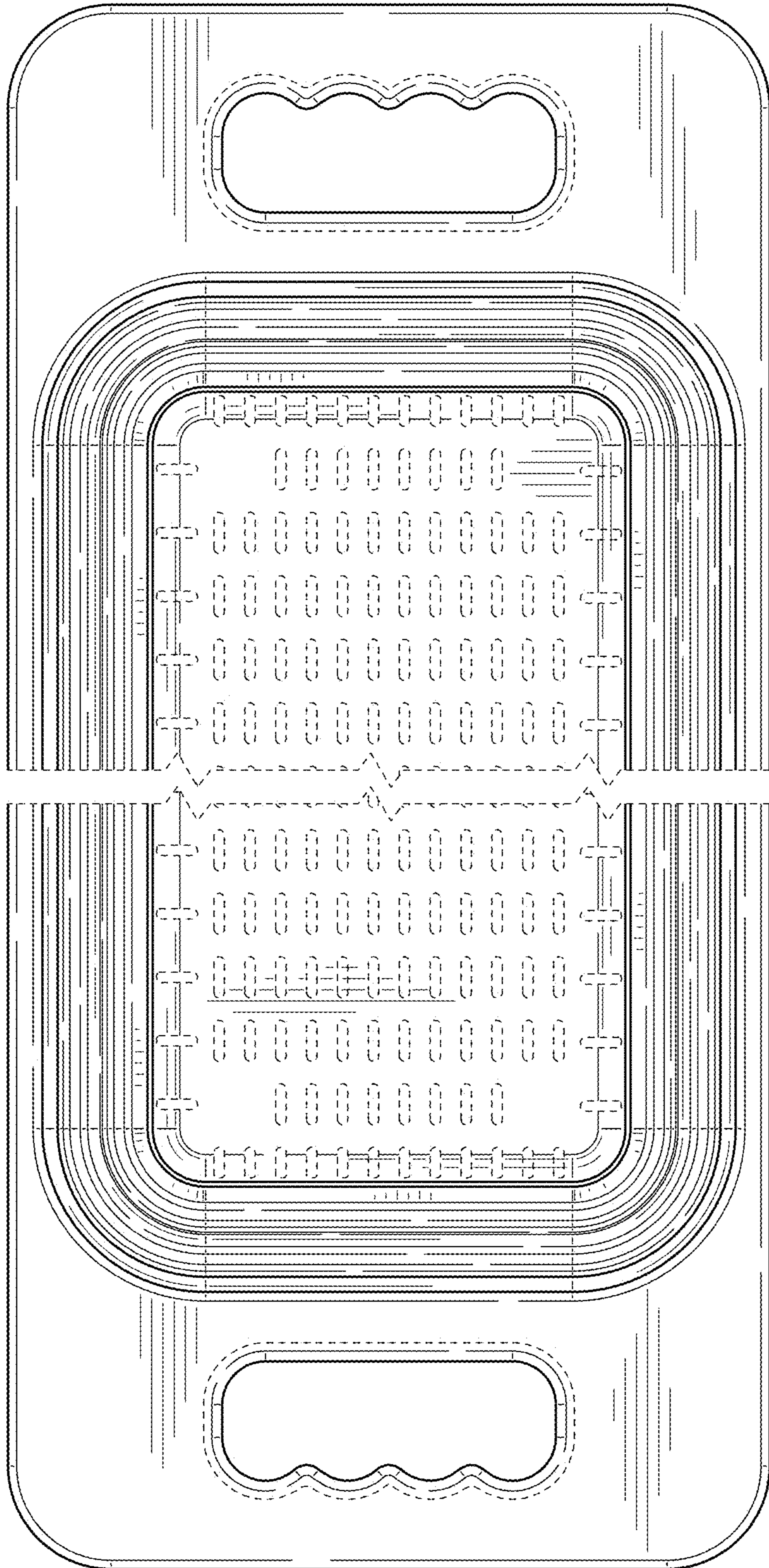


FIG. 4

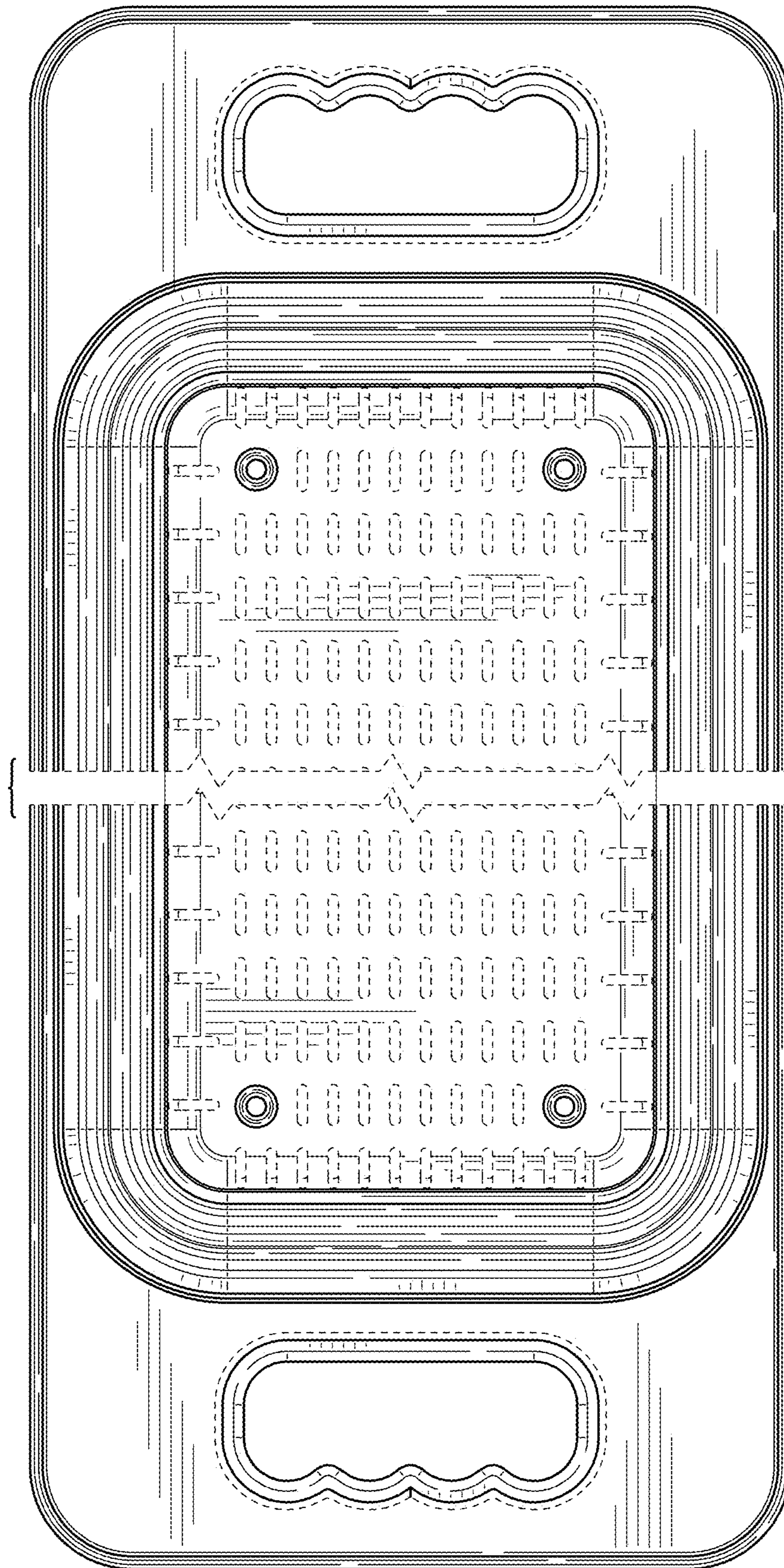


FIG. 5

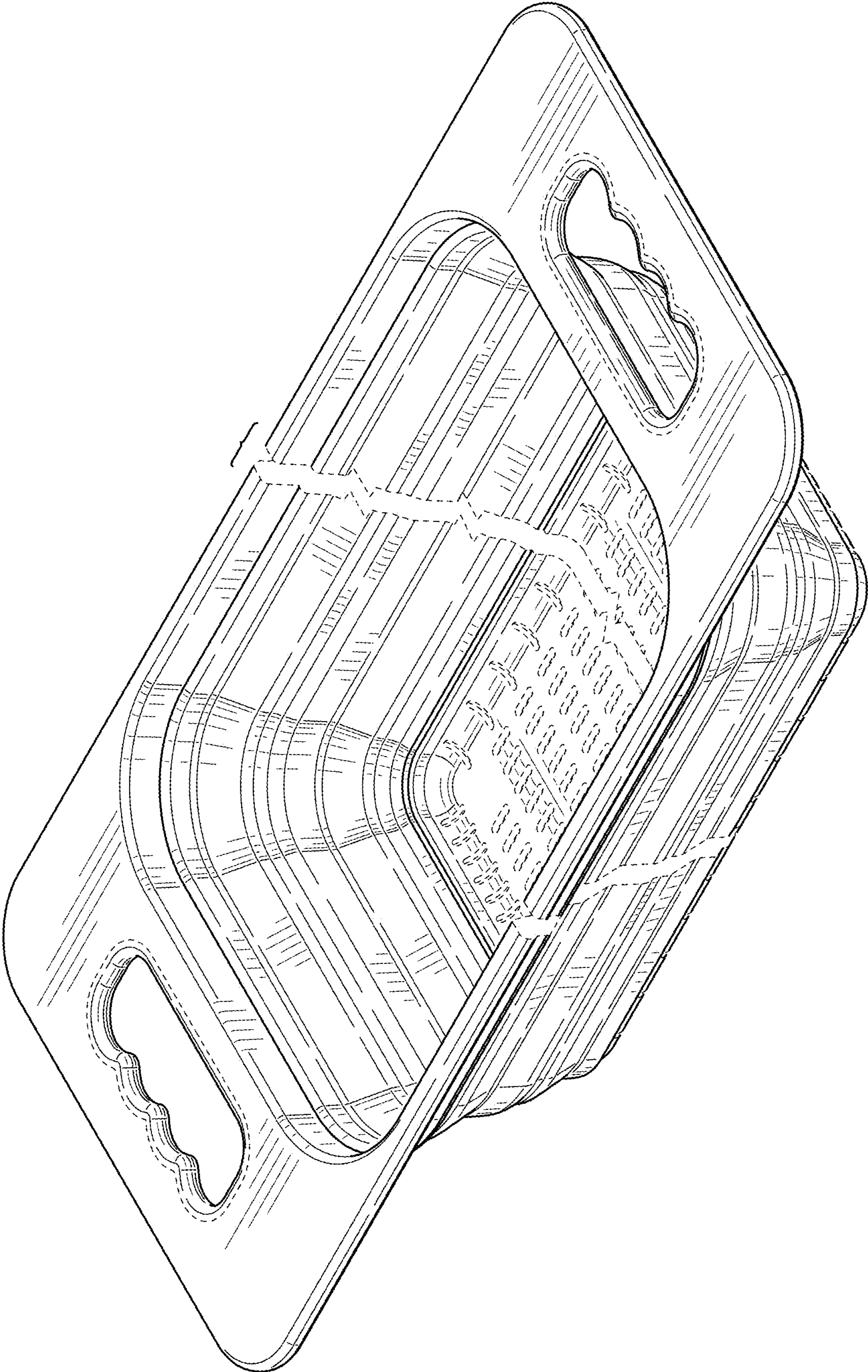


FIG. 6

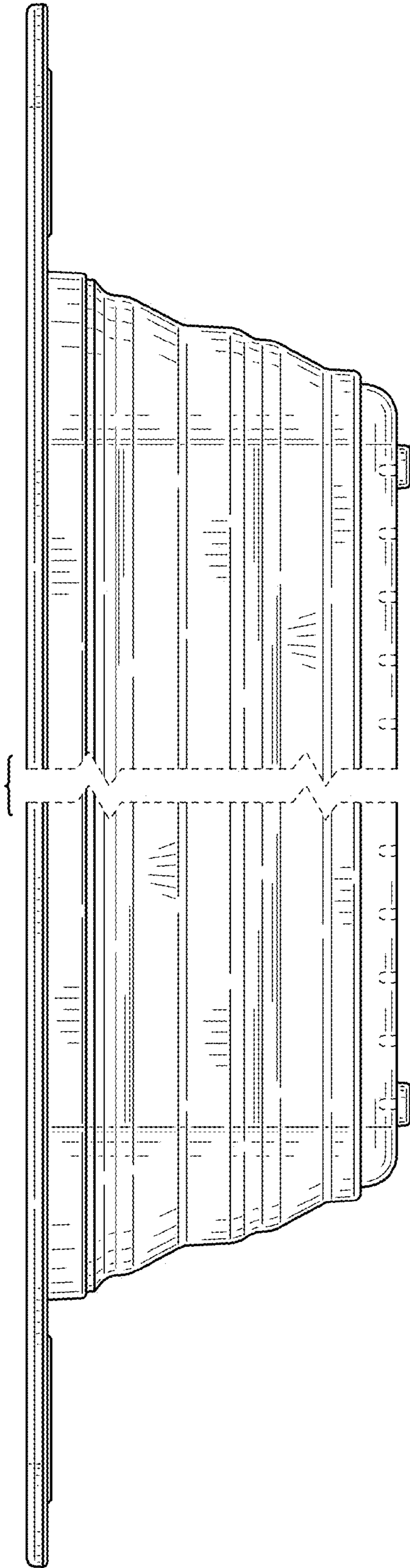


FIG. 7

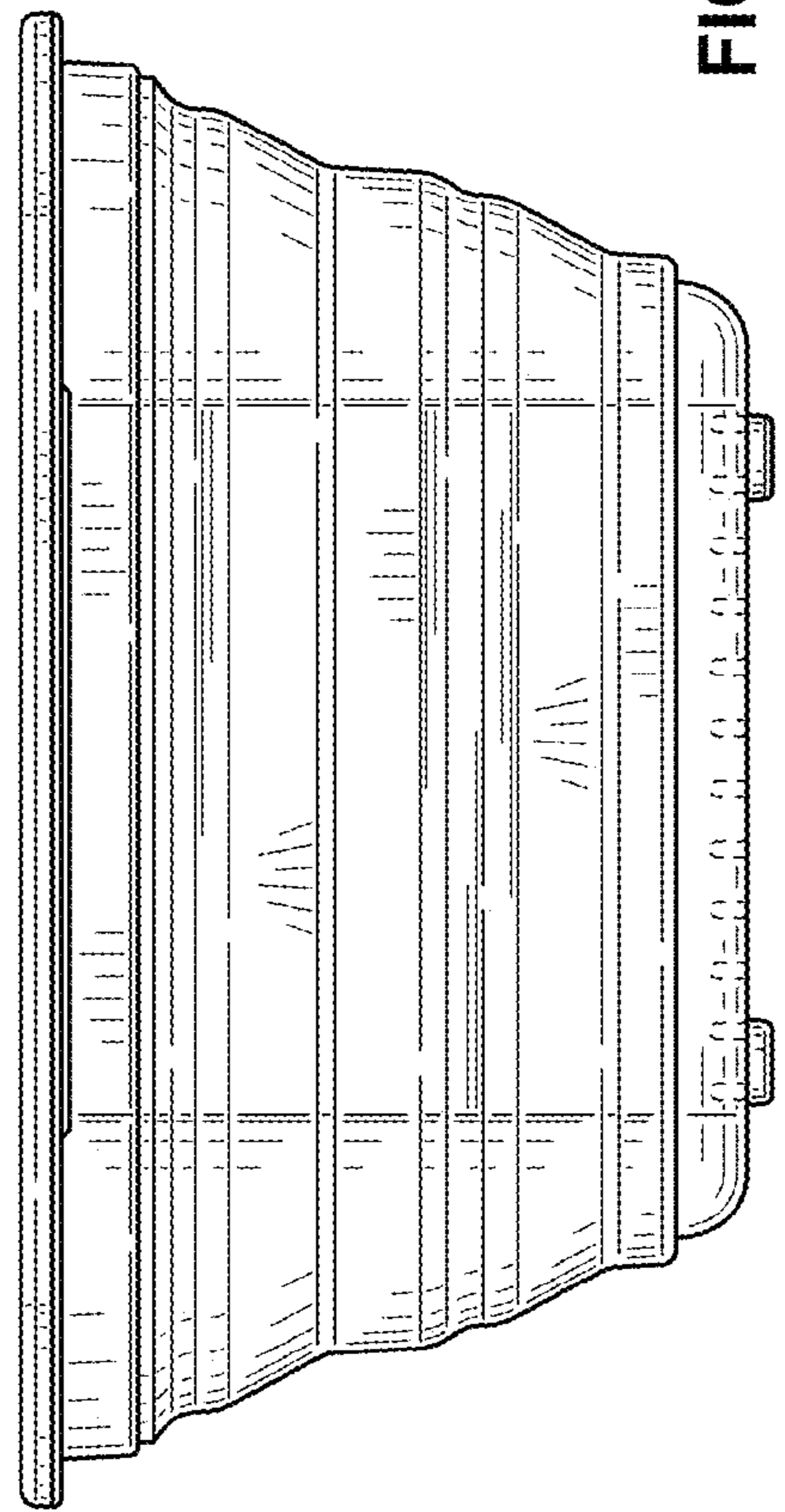


FIG. 8

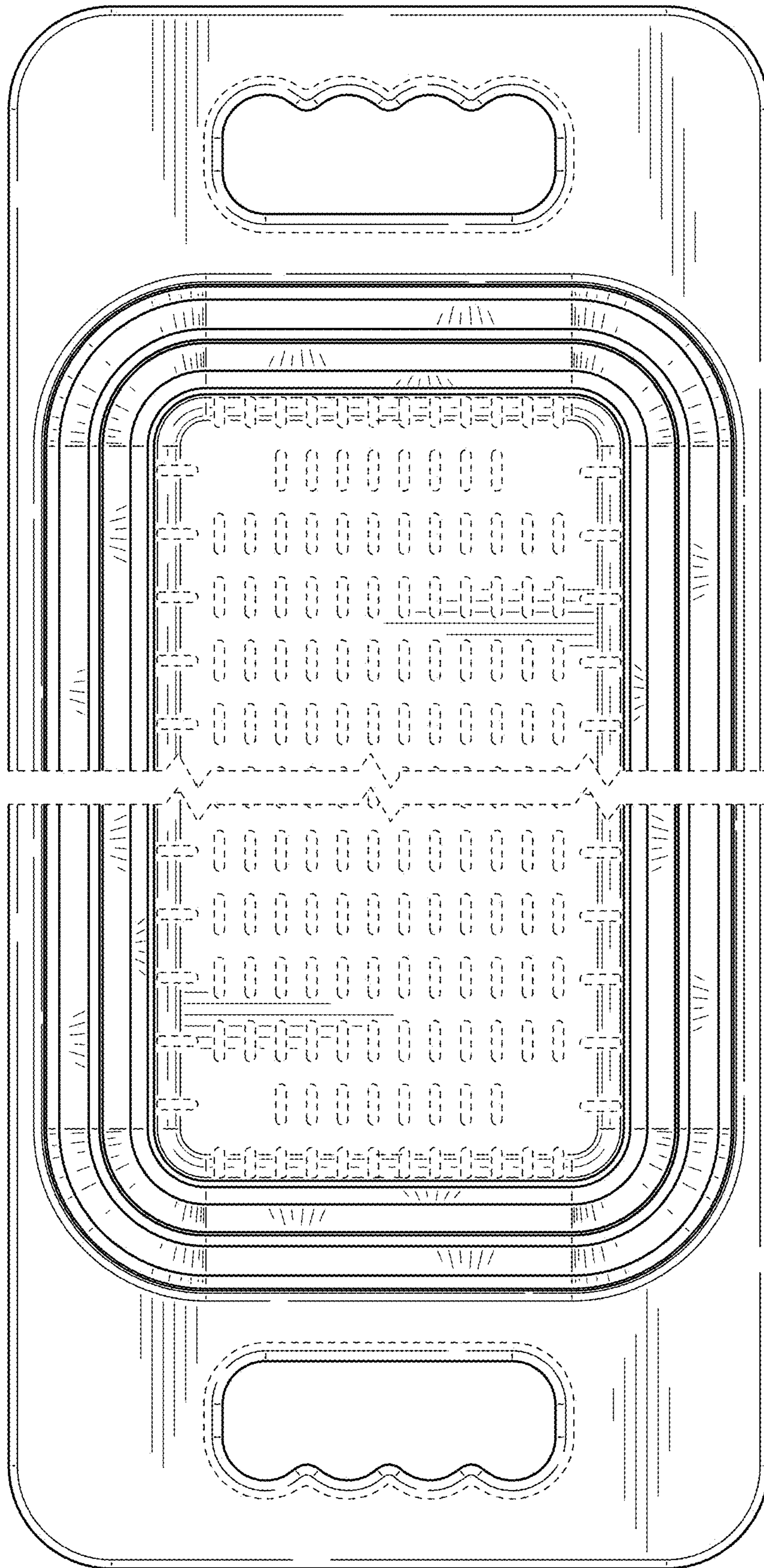


FIG. 9

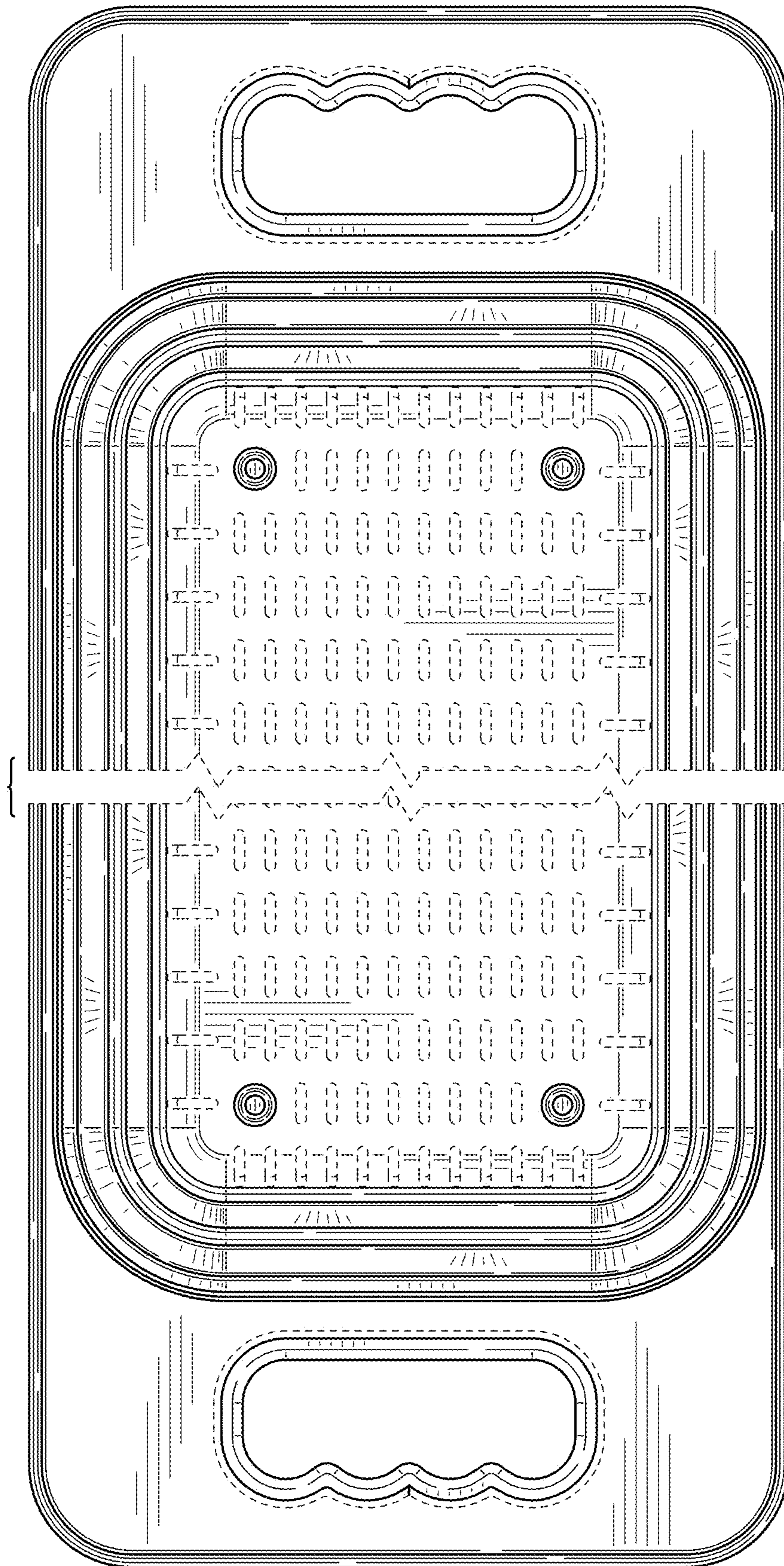


FIG. 10

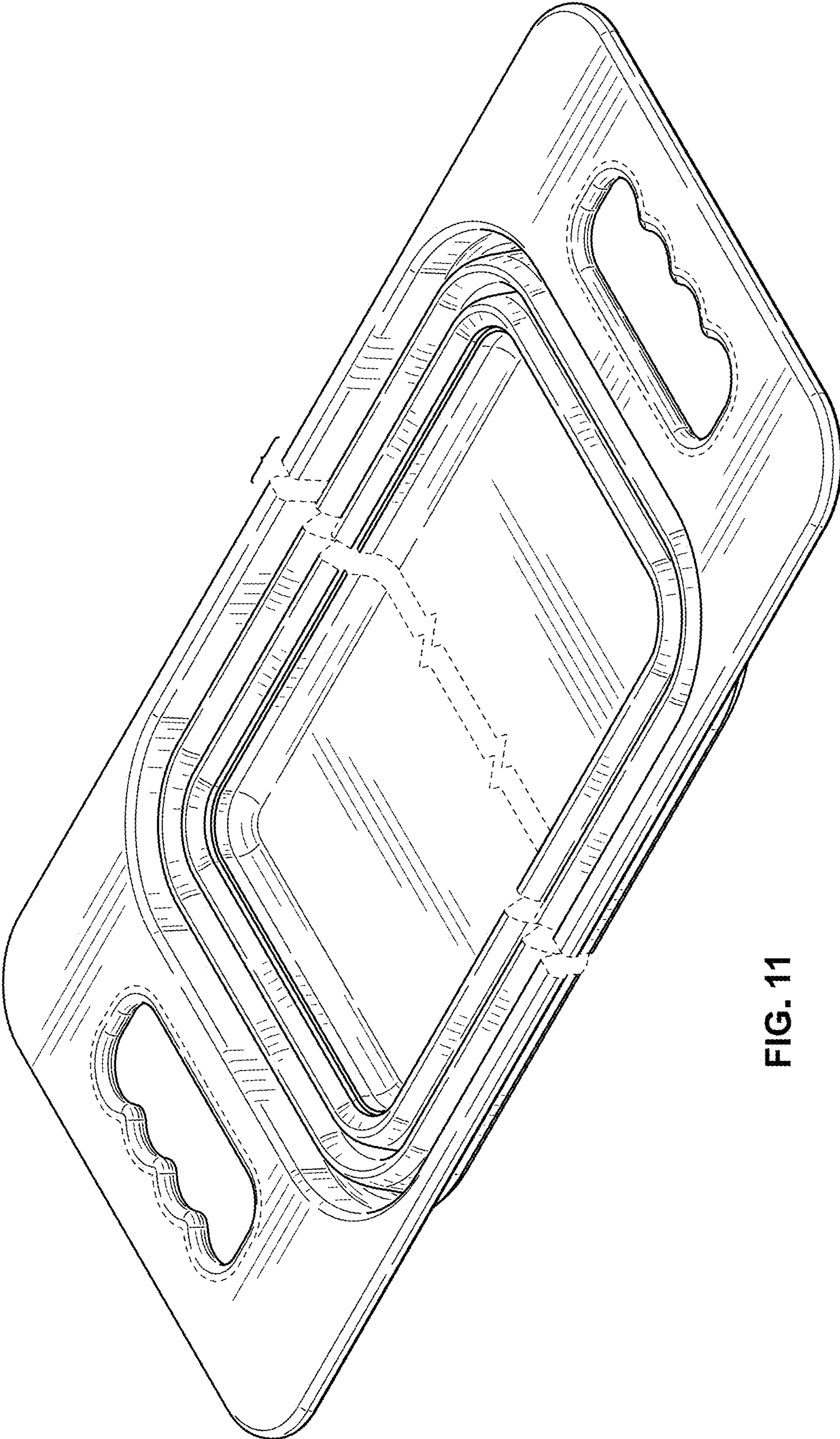


FIG. 11

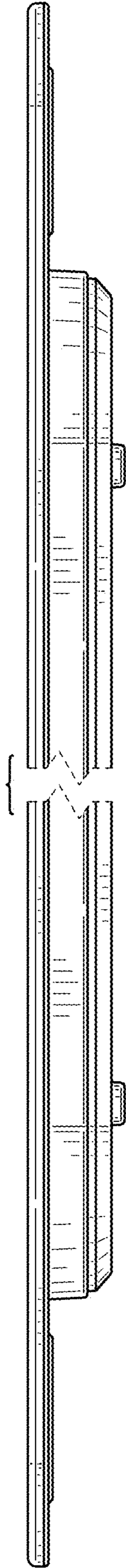


FIG. 12

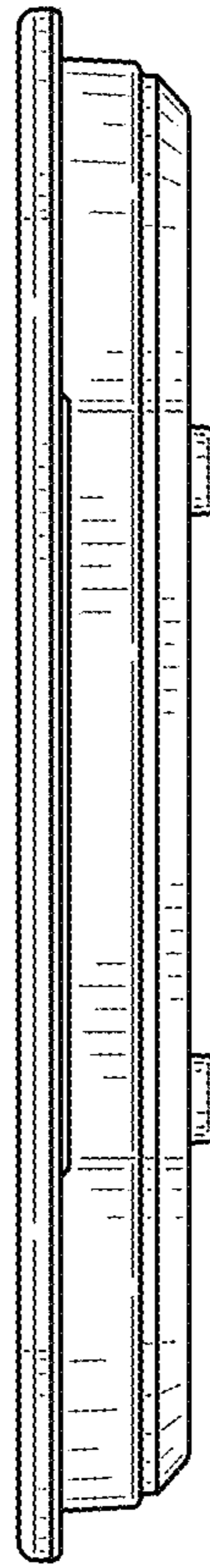


FIG. 13

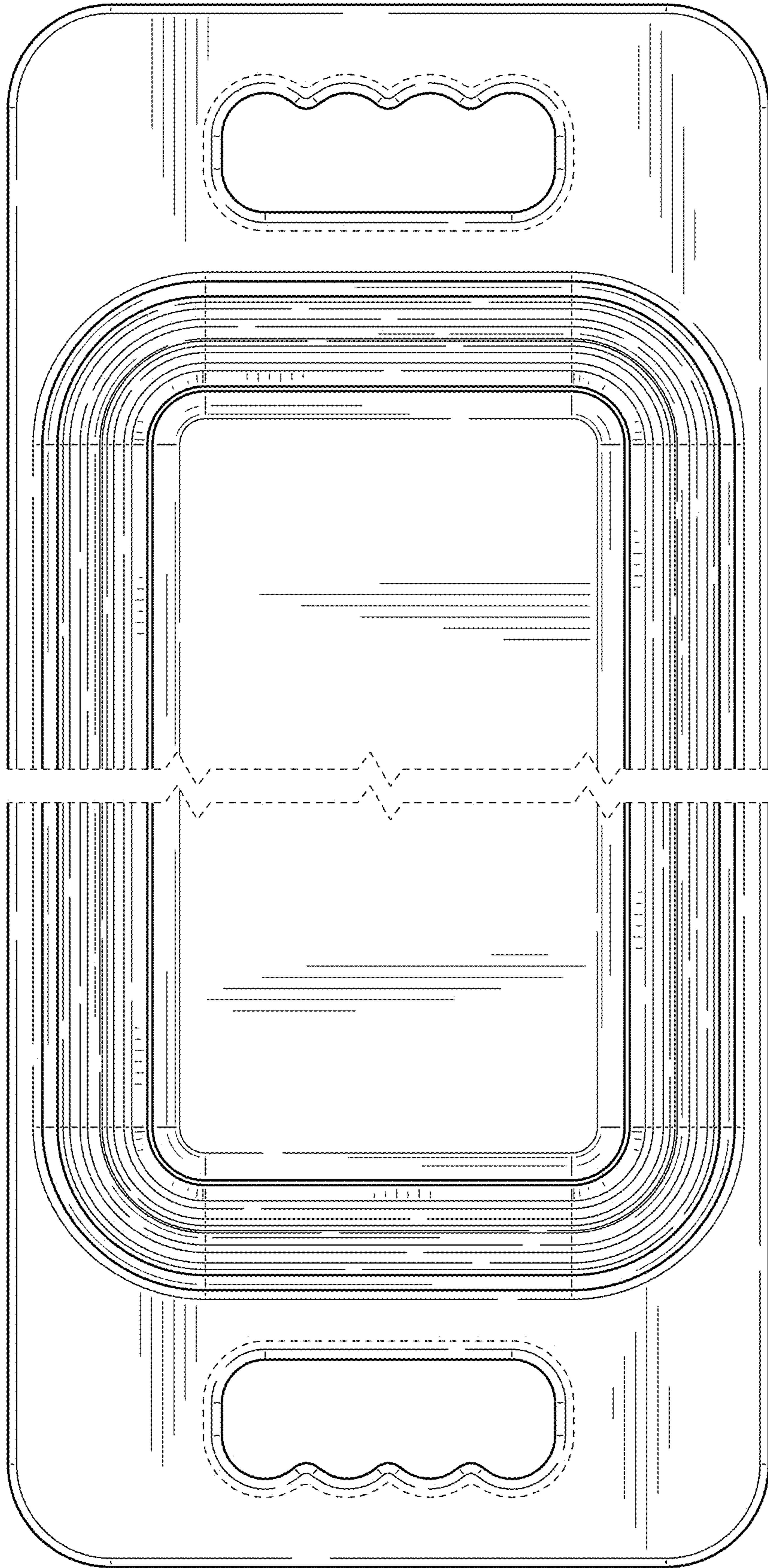


FIG. 14

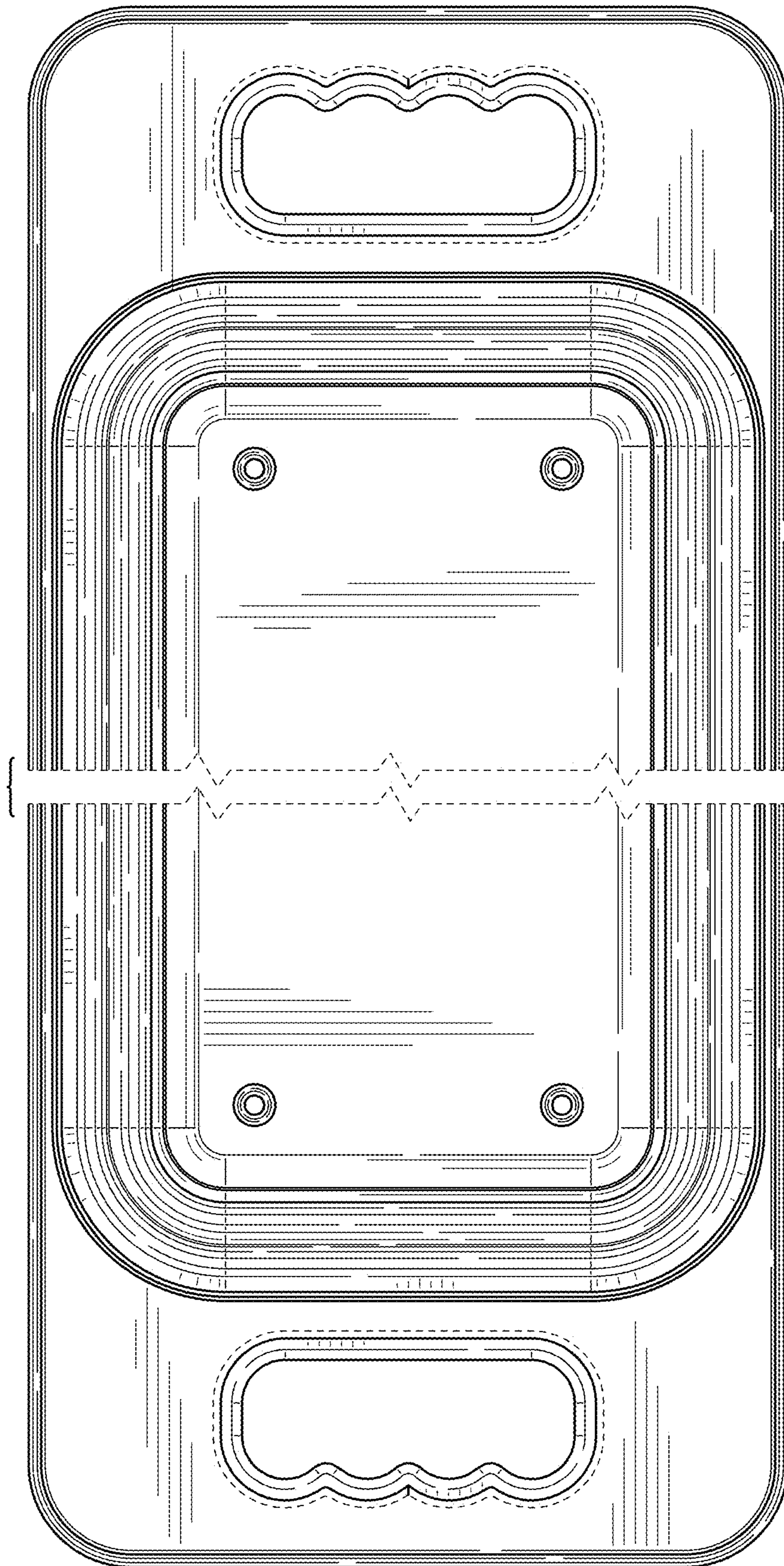


FIG. 15

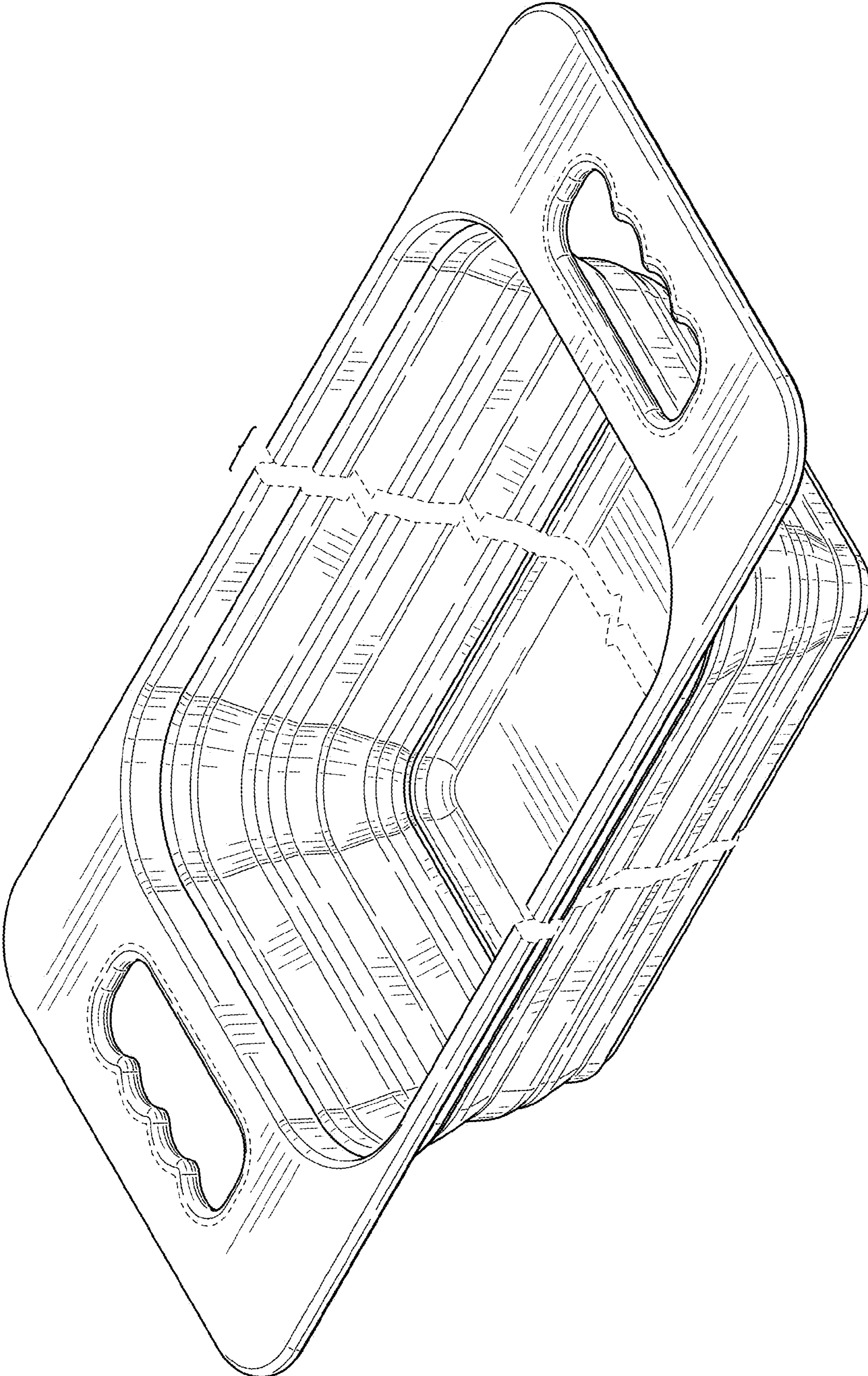


FIG. 16

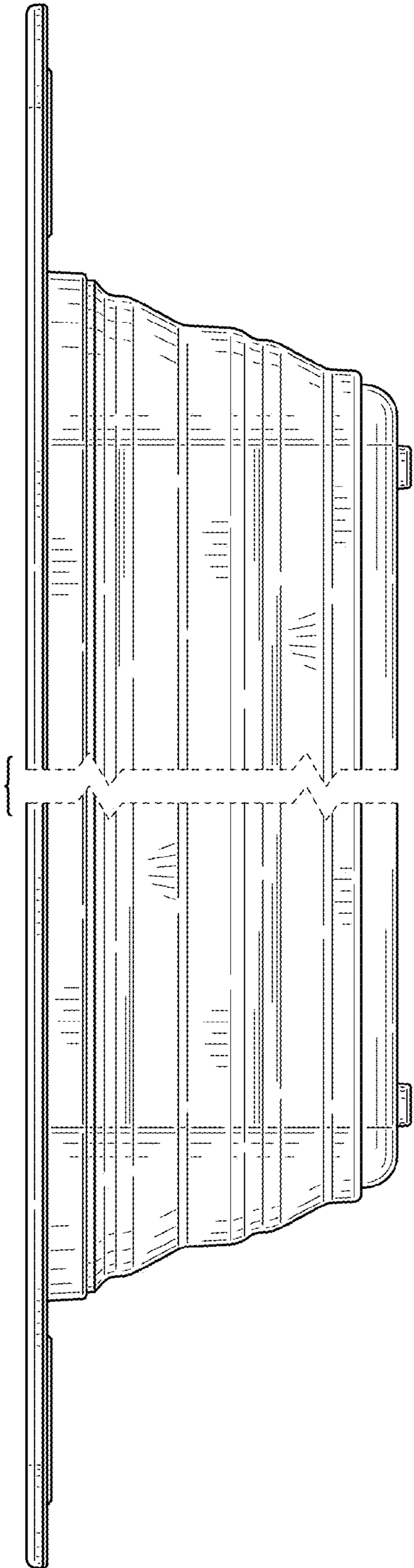


FIG. 17

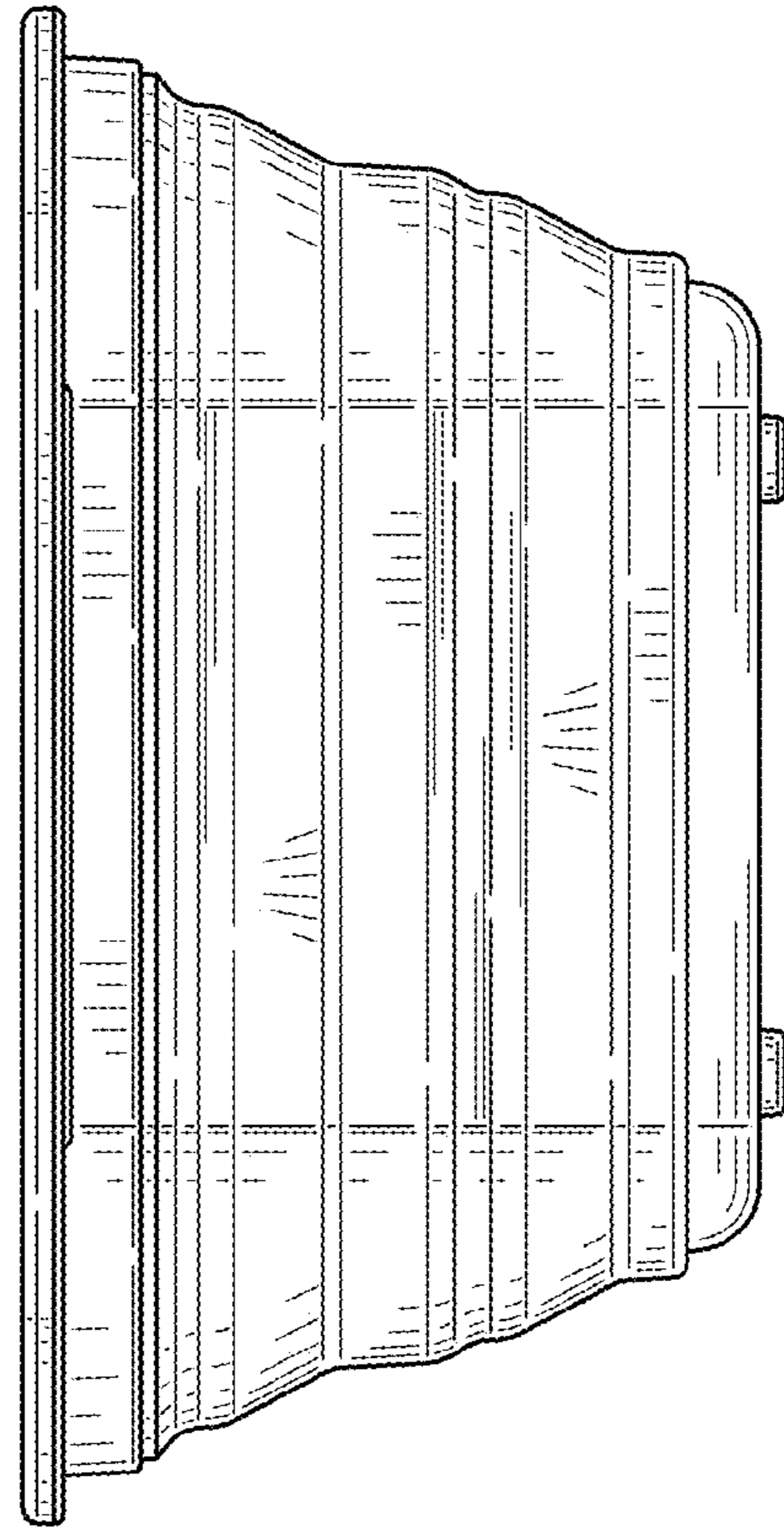


FIG. 18

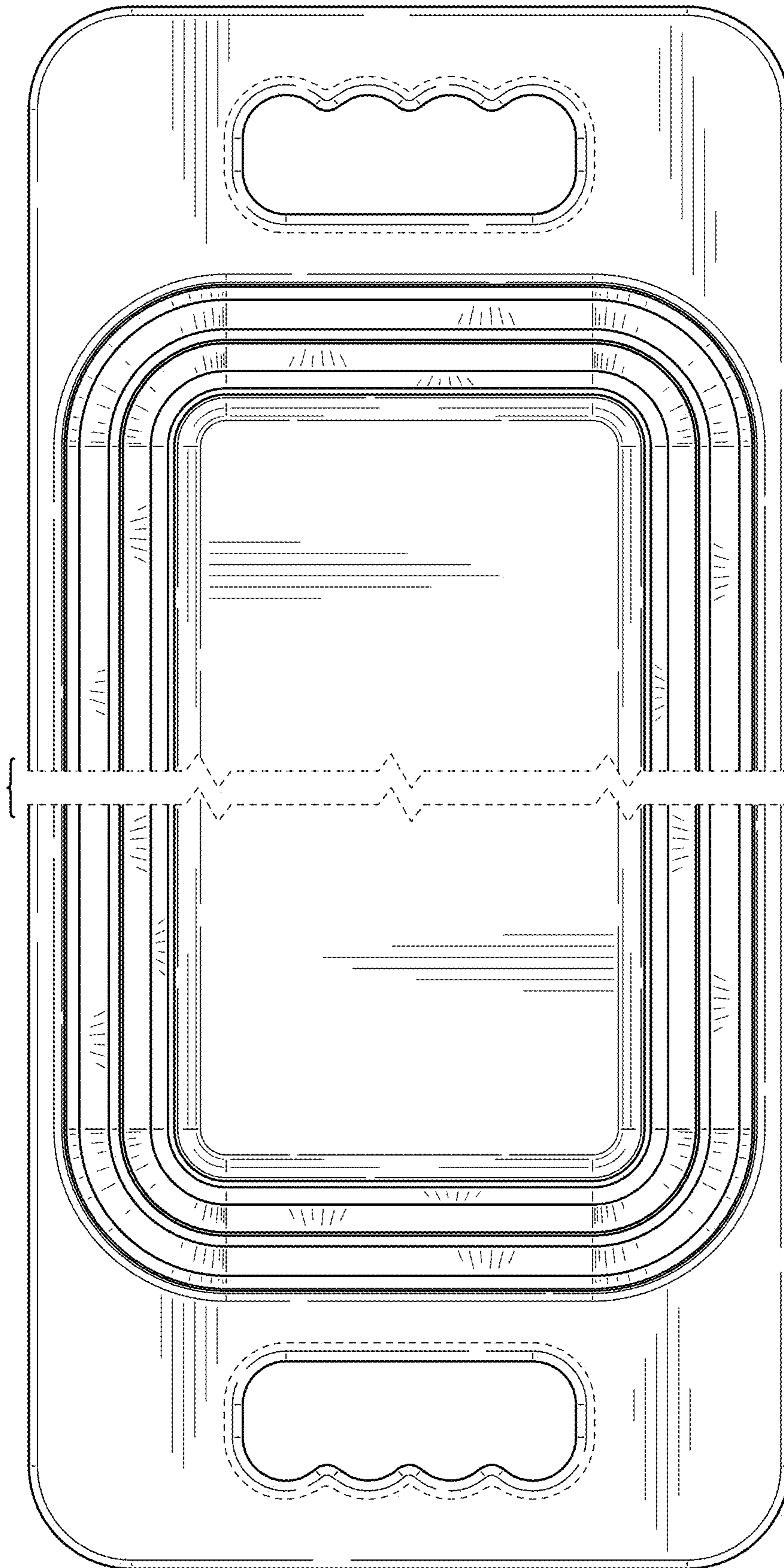


FIG. 19

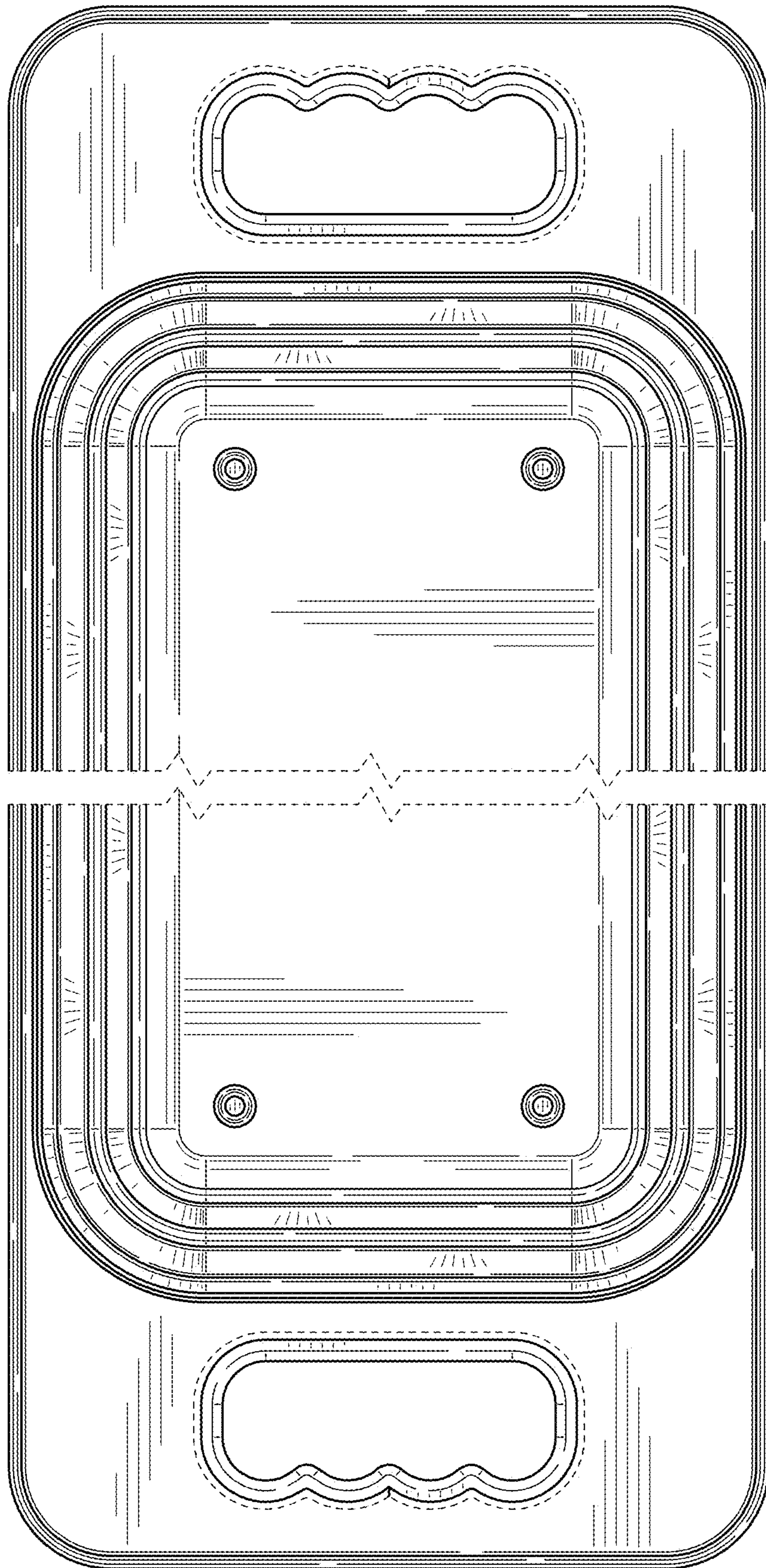


FIG. 20

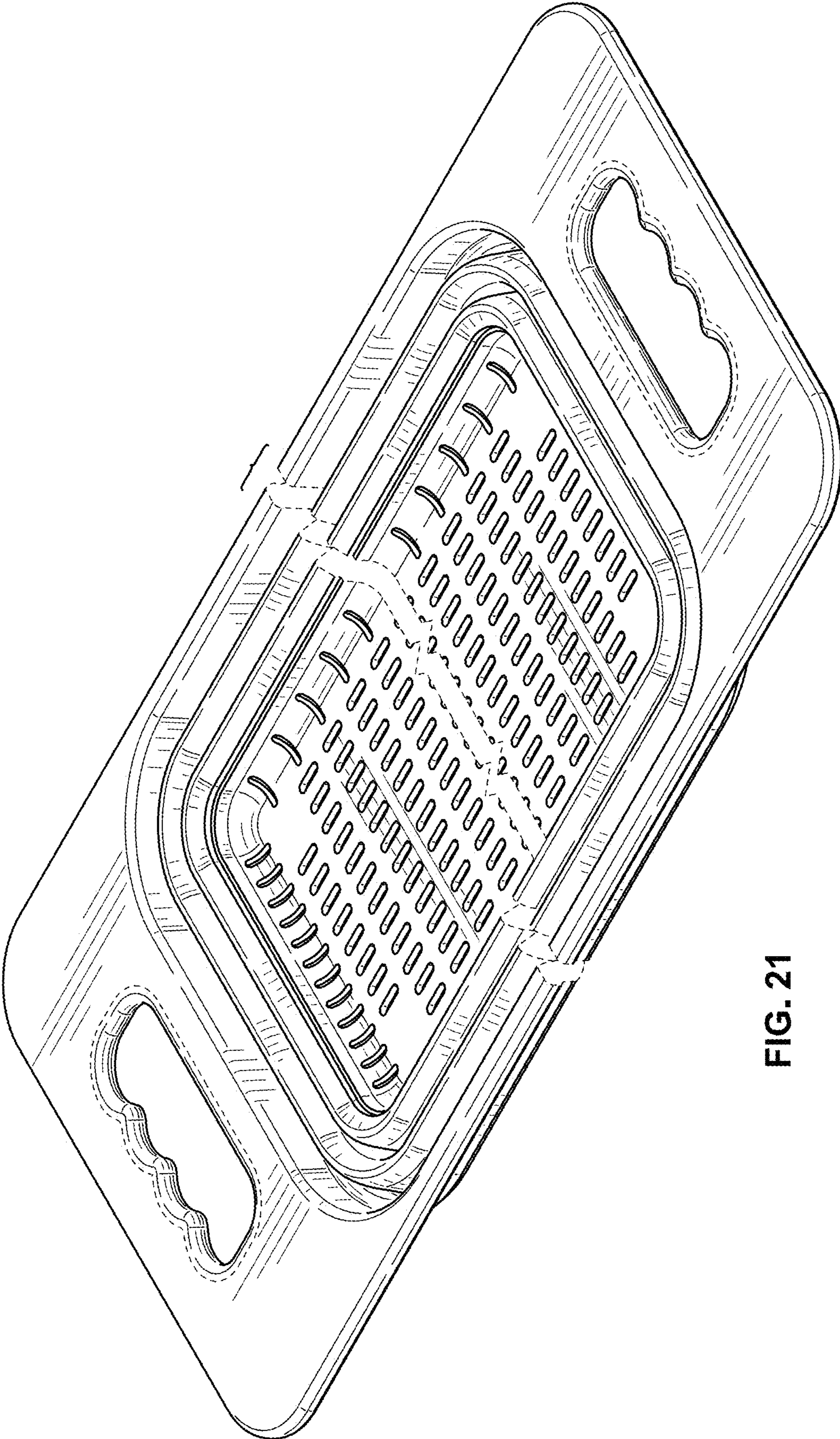


FIG. 21

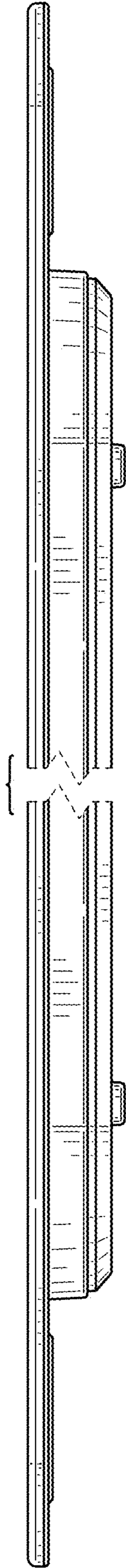


FIG. 22

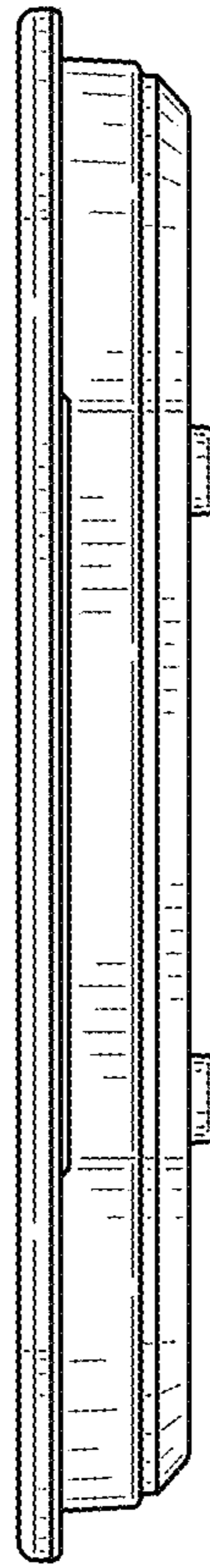


FIG. 23

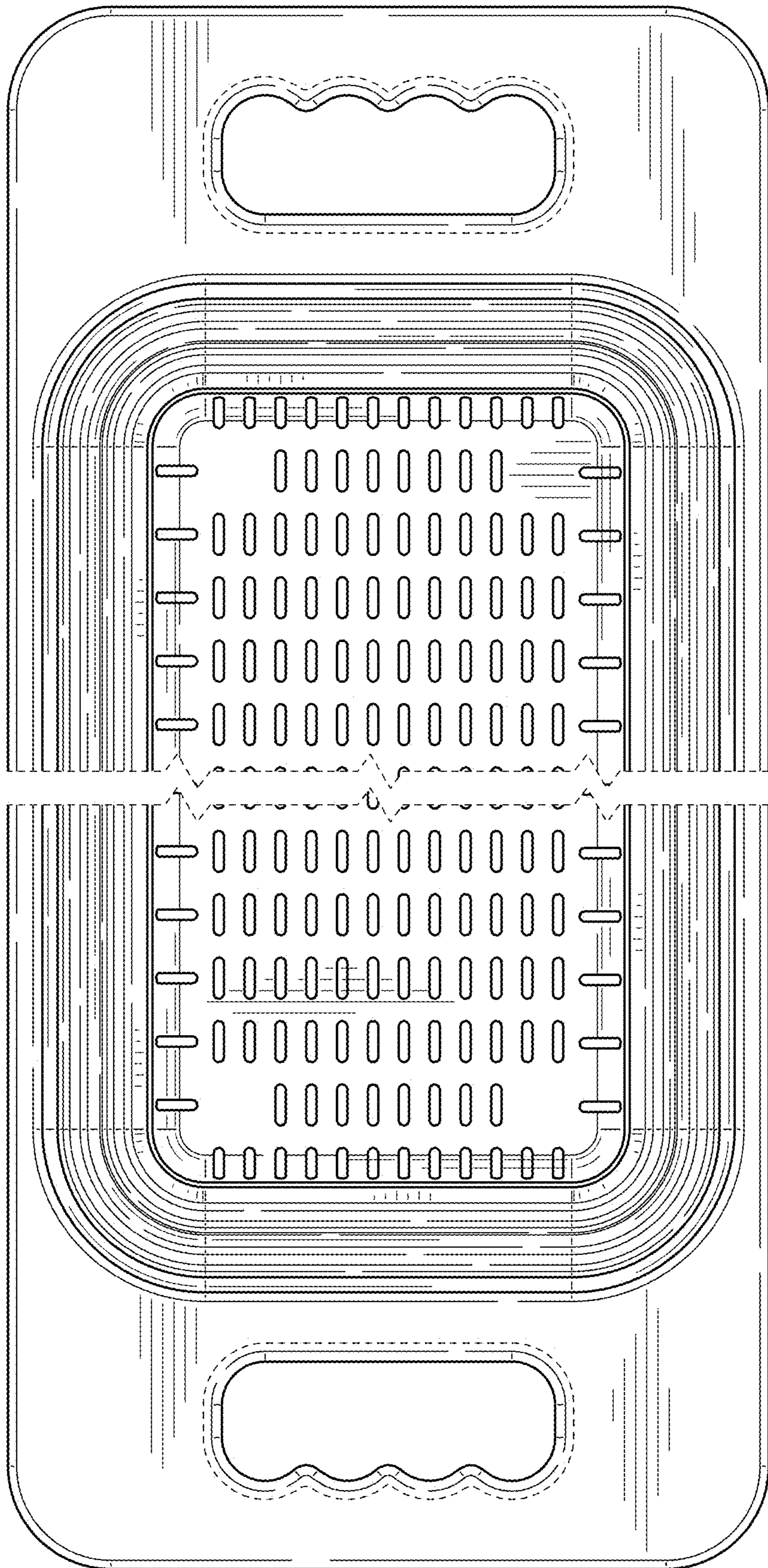


FIG. 24

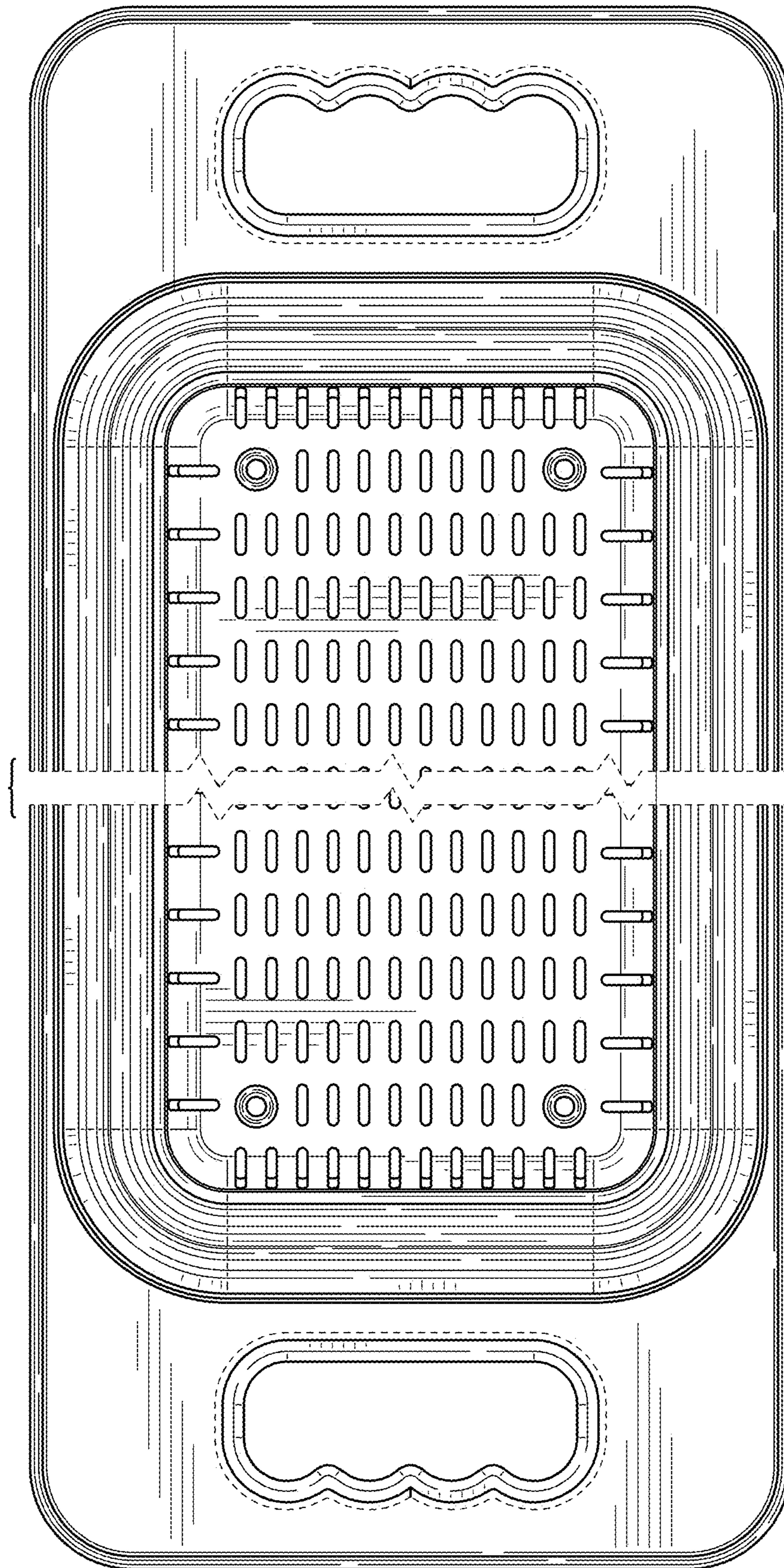


FIG. 25

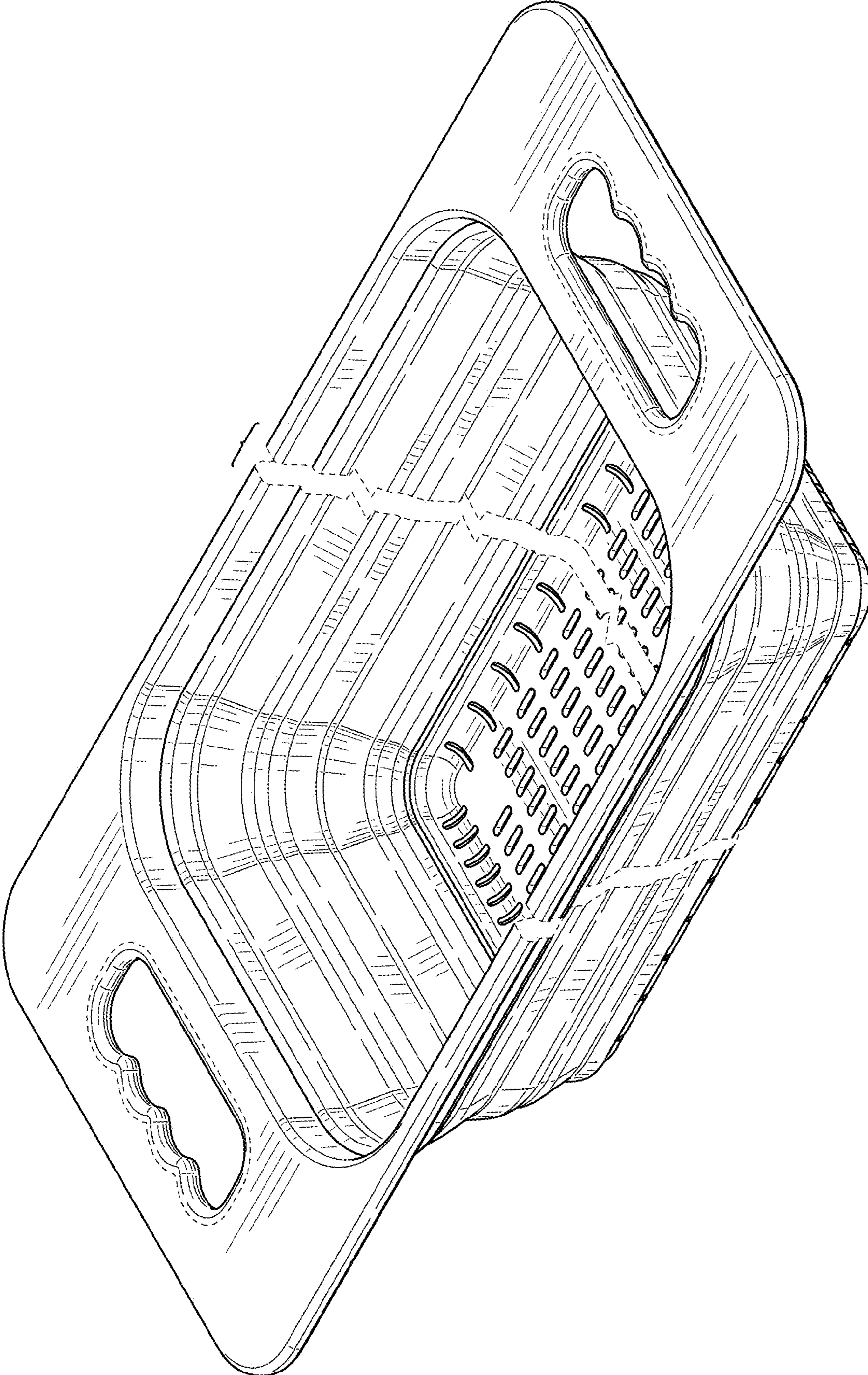


FIG. 26

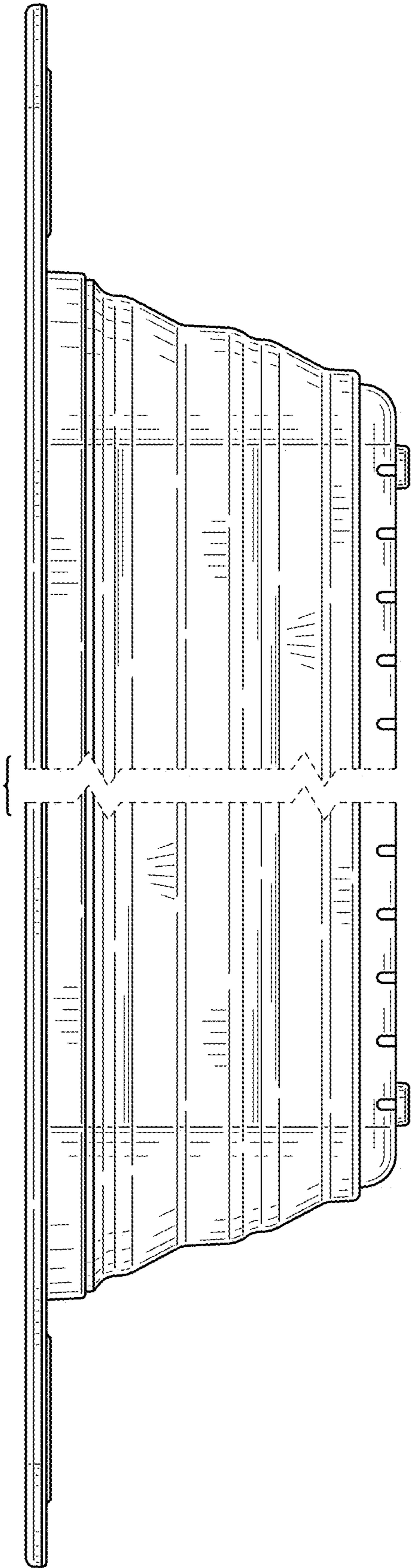


FIG. 27

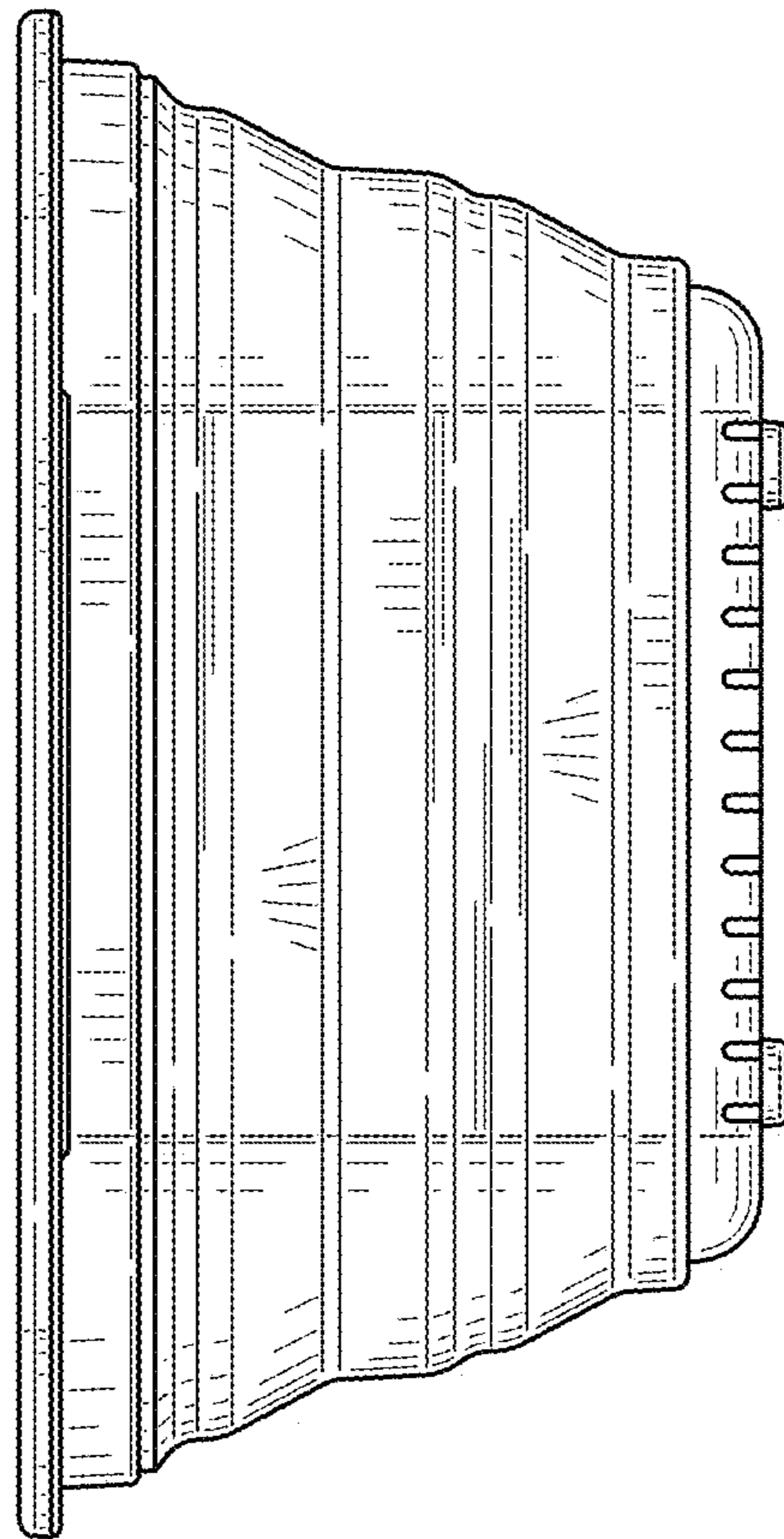


FIG. 28

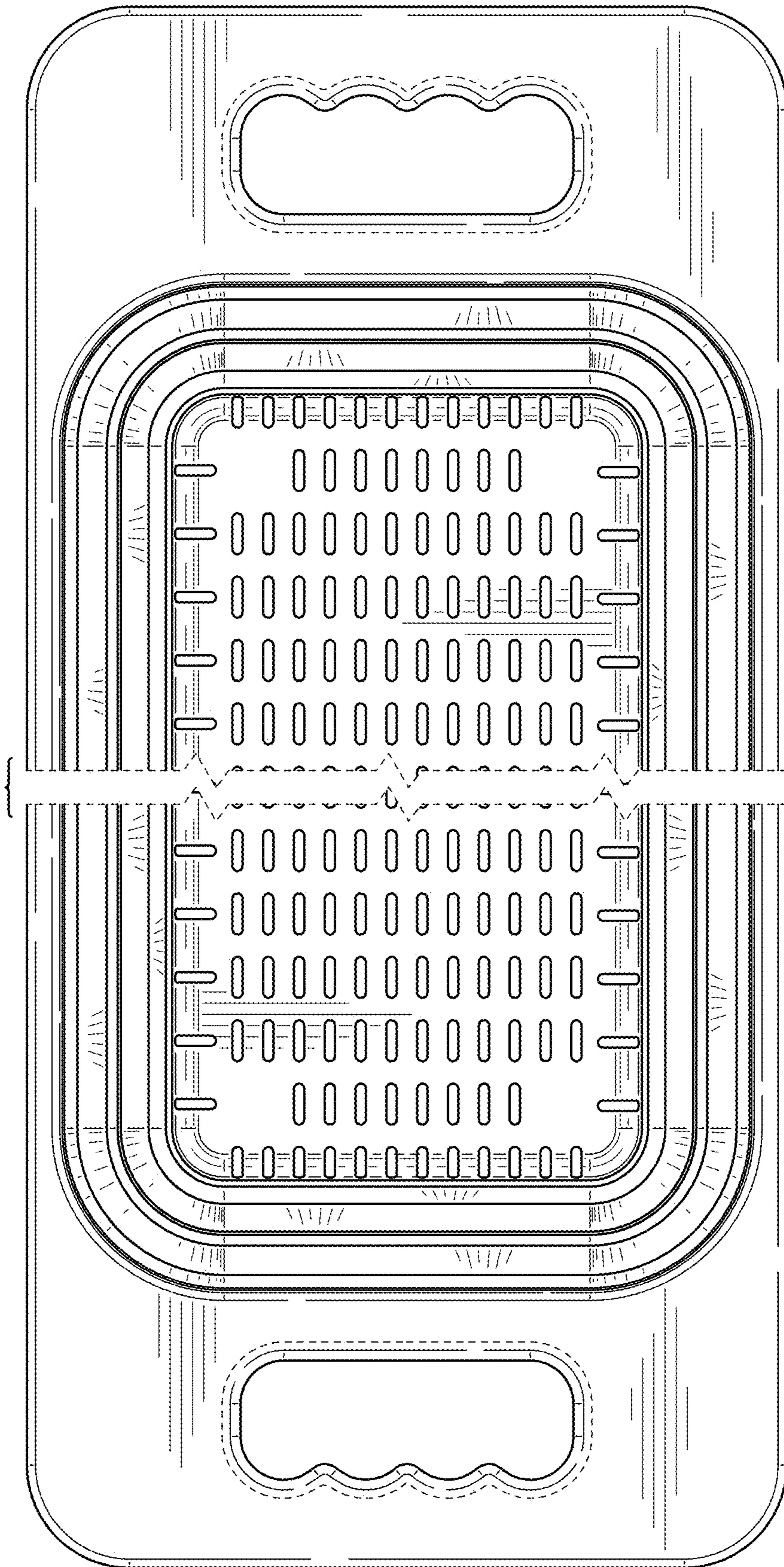


FIG. 29

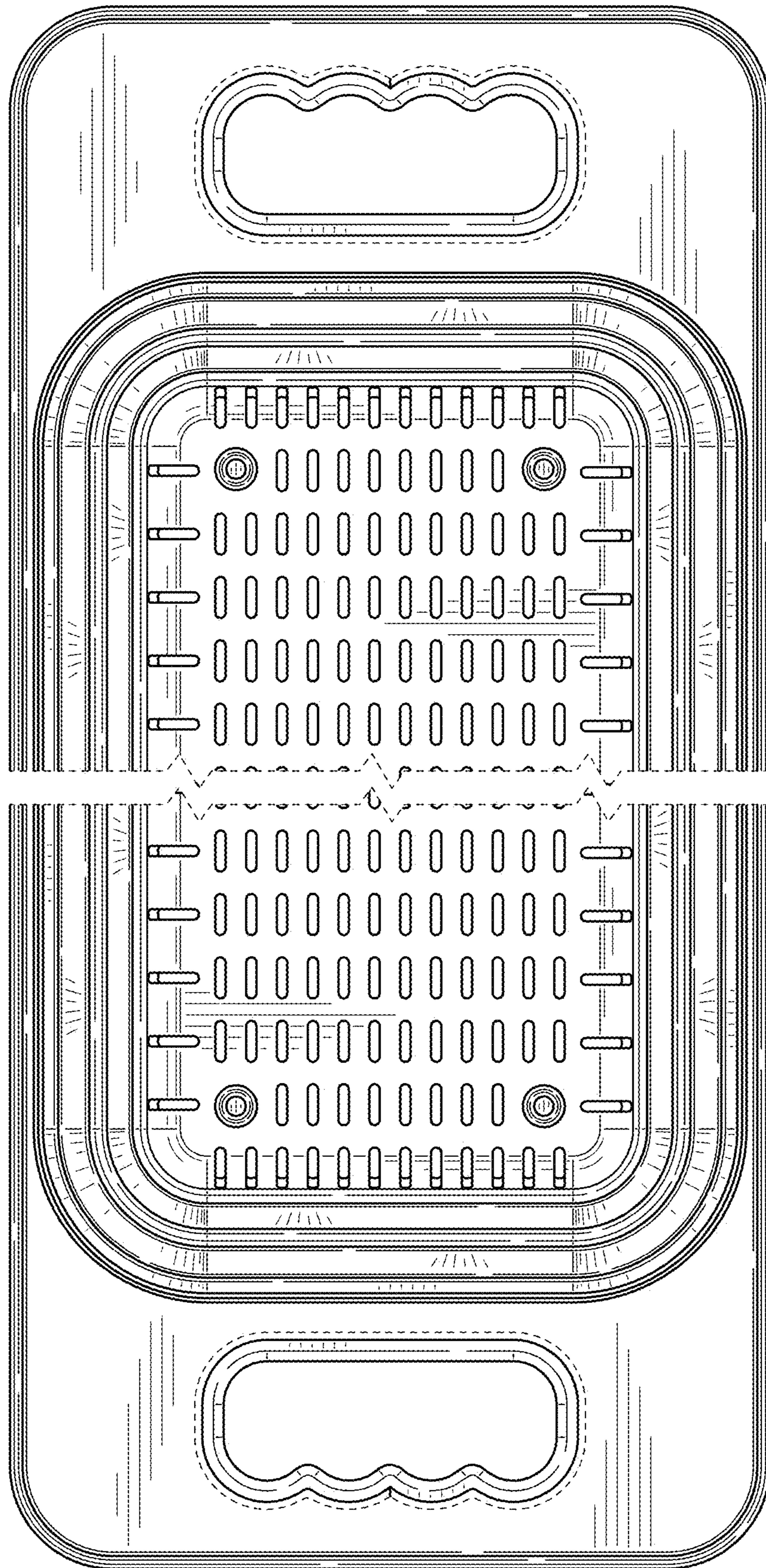


FIG. 30