



US00D894695S

(12) **United States Design Patent**
Gee, II

(10) **Patent No.:** **US D894,695 S**

(45) **Date of Patent:** **** Sep. 1, 2020**

- (54) **NAPKIN HOLDER**
- (71) Applicant: **Spectrum Diversified Designs, LLC**,
Streetsboro, OH (US)
- (72) Inventor: **Jack W. Gee, II**, Willoughby, OH (US)
- (73) Assignee: **SPECTRUM DIVERSIFIED
DESIGNS, LLC**, Streetsboro, OH (US)
- (**) Term: **15 Years**
- (21) Appl. No.: **29/681,599**
- (22) Filed: **Feb. 27, 2019**
- (51) **LOC (12) Cl.** **07-06**
- (52) **U.S. Cl.**
USPC **D7/631**
- (58) **Field of Classification Search**
USPC D3/306; D6/566-574; D7/631,
D7/637-641; 211/41.4, 70.7, 85.31,
211/90.03, 106, 126.8, 126.9, 133.2,
211/133.5; 220/485-488, 491; 248/37.3,
248/37.6, 153, 175
CPC . A47B 88/00; A47B 88/20; A47F 7/00; A47F
7/14; A47G 21/00; A47G 21/16; B65D
1/34; B65D 1/36; B65D 21/046; B65D
21/048; G09F 1/14
See application file for complete search history.

D484,008 S *	12/2003	Goodman	D7/631
D519,000 S *	4/2006	Goodman	D7/631
D696,911 S *	1/2014	Goodman	D7/631
D720,575 S *	1/2015	Goodman	D7/600
D781,664 S *	3/2017	Goodman	D7/637
D786,026 S *	5/2017	Goodman	D7/631

OTHER PUBLICATIONS

Clipper Mill by Get 4-33453 7½x4½" Black Powder Coated Iron Braided Oval Wire Basket, WebstaurantStore website page, <https://www.webstaurantstore.com/clipper-mill-by-get-4-33453-7-1-2-x-4-1-2-black-powder-coated-iron-braided-oval-wire-basket/375433453.html>, retrieved from Internet on Feb. 6, 2019, 1 page.

* cited by examiner

Primary Examiner — Janice Patyk

(74) *Attorney, Agent, or Firm* — Tucker Ellis LLP

(57) **CLAIM**

The ornamental design for a napkin holder, as shown and described.

DESCRIPTION

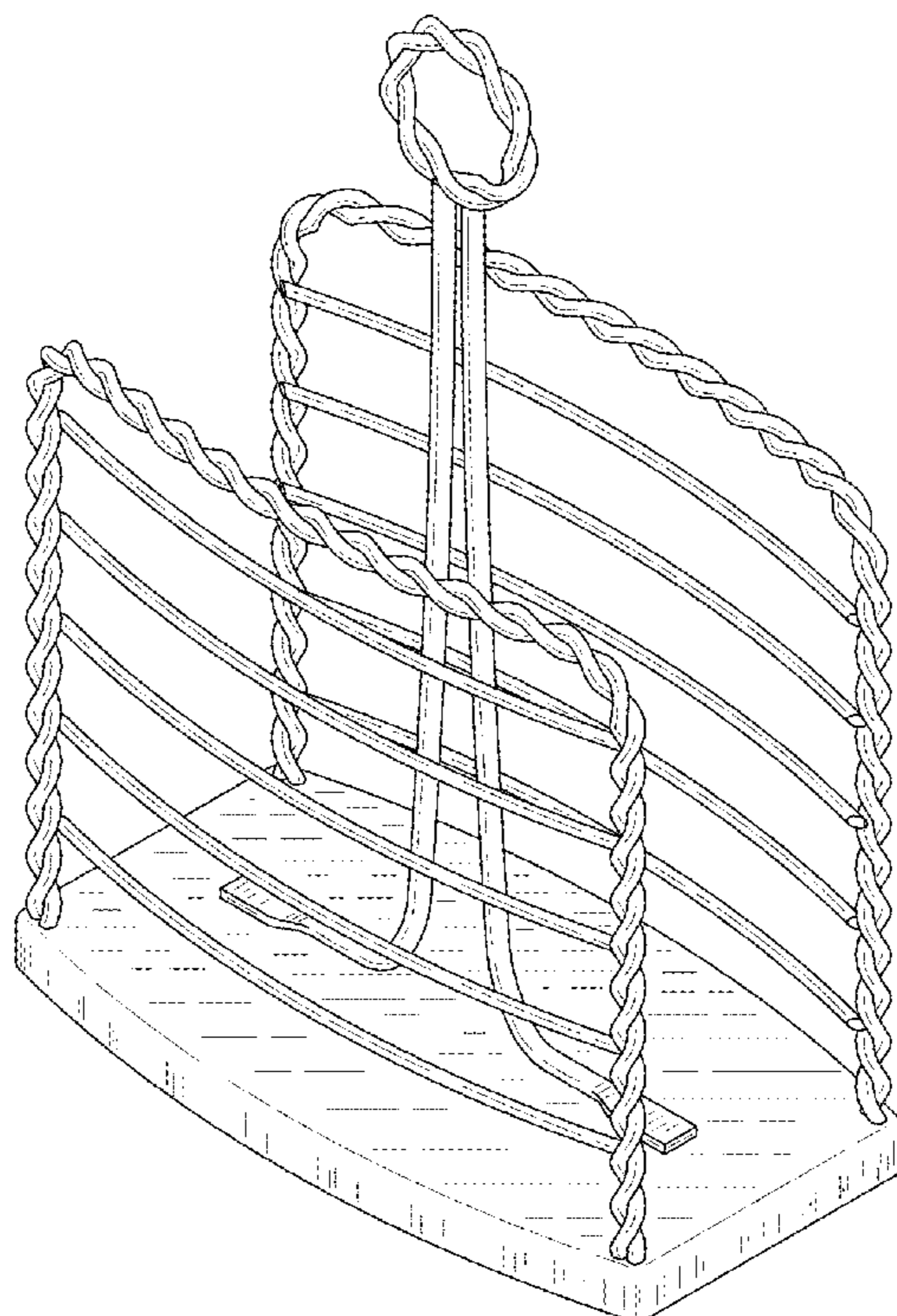
FIG. 1 is a perspective view of a napkin holder showing my new design;
FIG. 2 is a front view thereof, a rear view being identical;
FIG. 3 is a left side view thereof, a right side view being identical;
FIG. 4 is a top view thereof; and,
FIG. 5 is a bottom view thereof.
The broken lines in the figures illustrate portions of the design that form no part of the claimed design.

(56) **References Cited**

U.S. PATENT DOCUMENTS

D393,387 S *	4/1998	Gregor	D6/513
D436,463 S *	1/2001	Goodman	D6/678.4

1 Claim, 3 Drawing Sheets



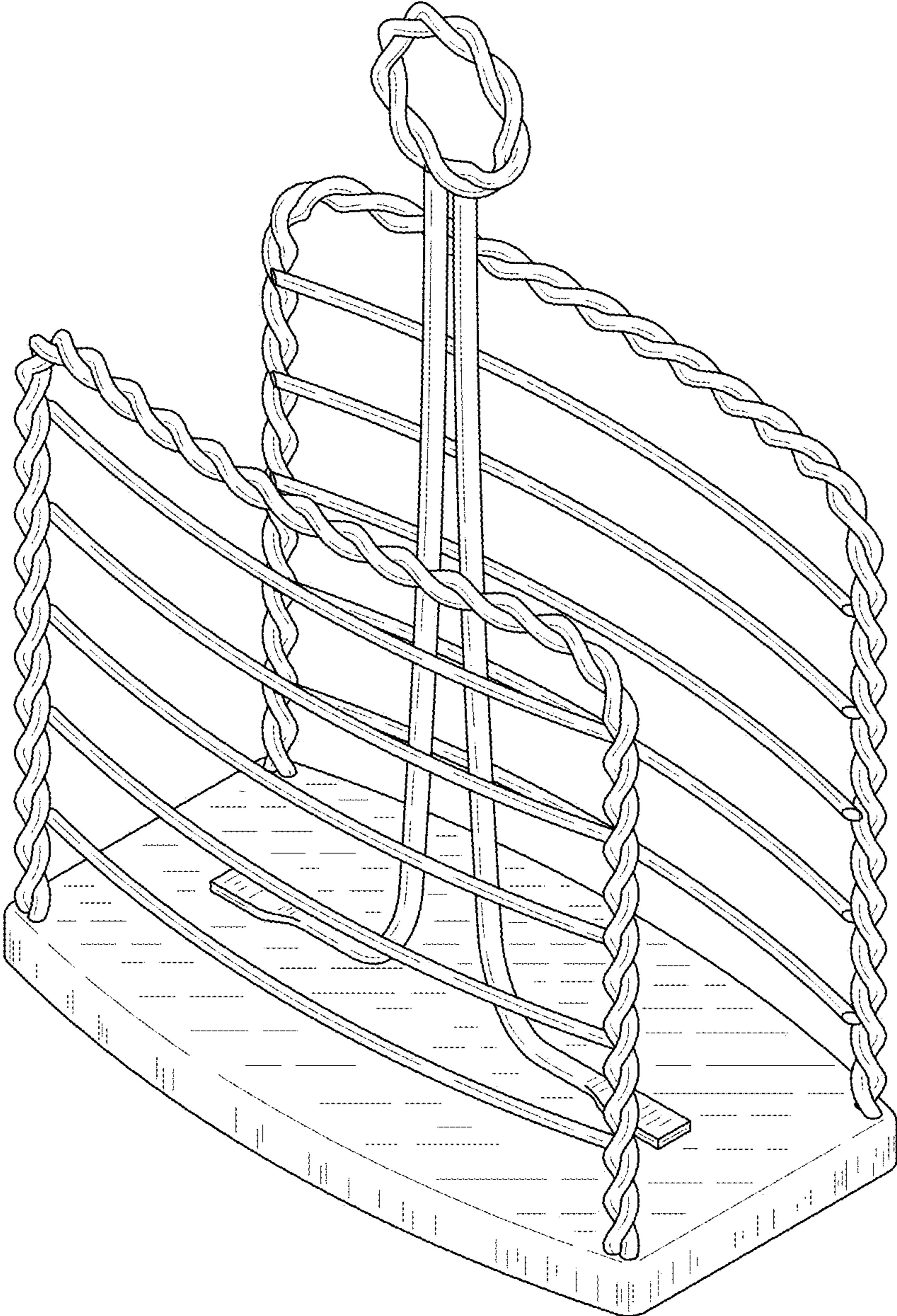


FIG. 1

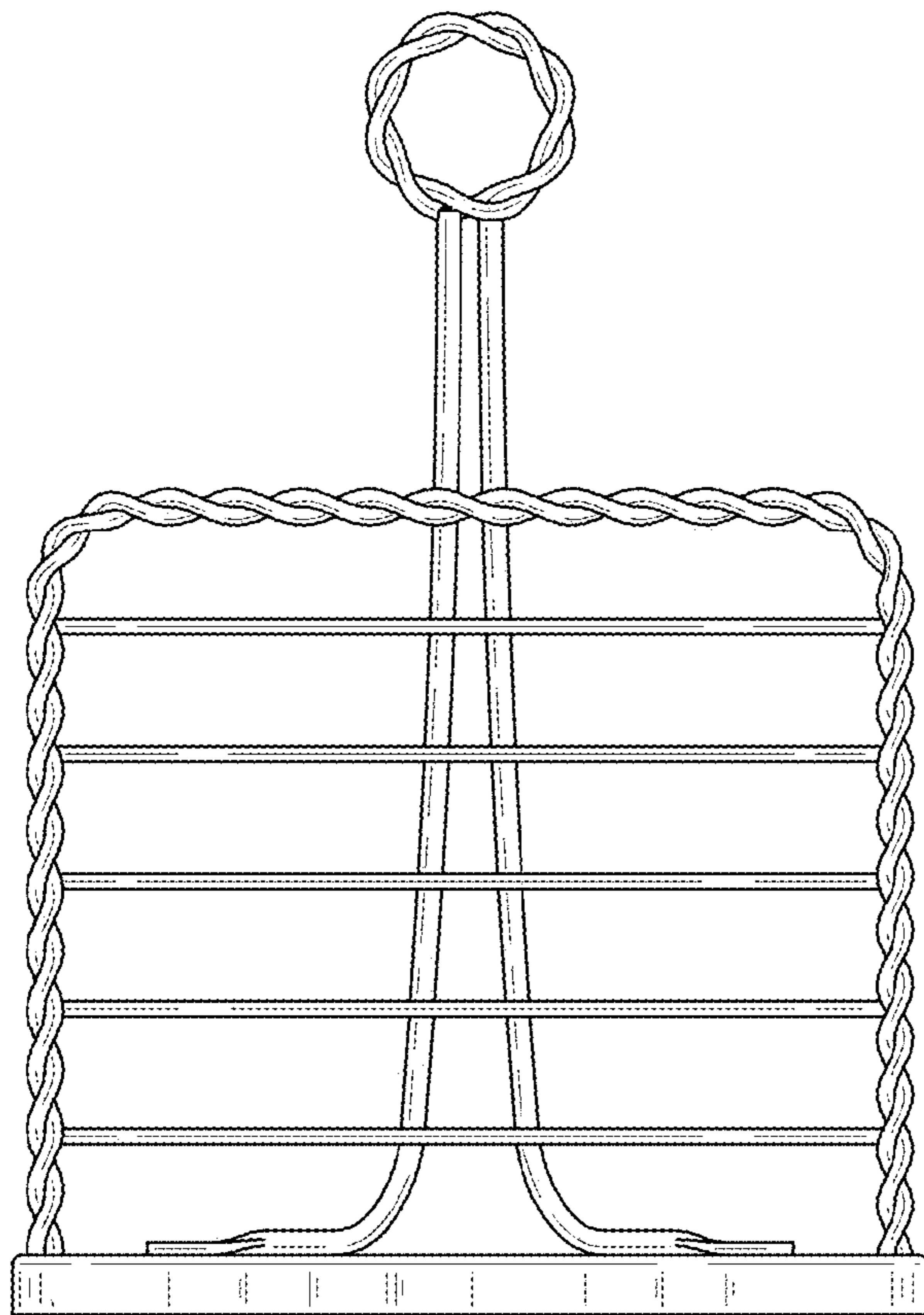


FIG. 2

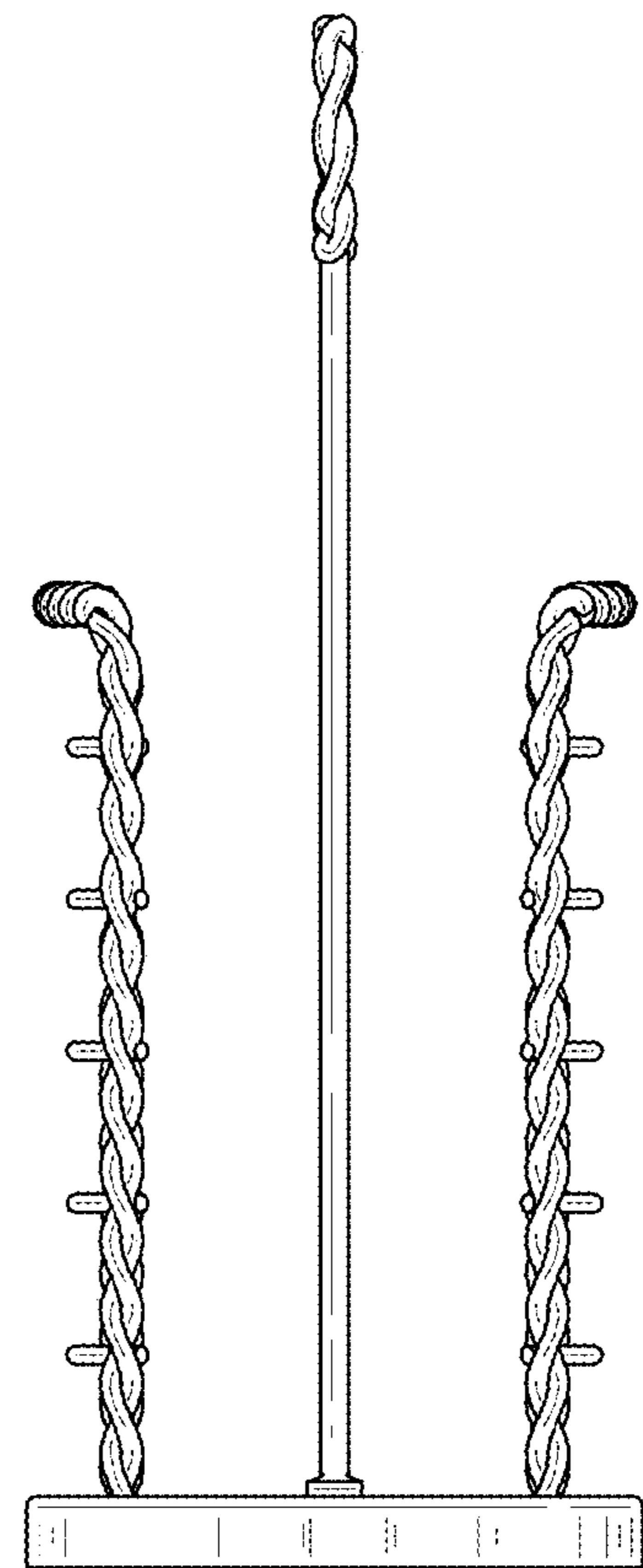


FIG. 3

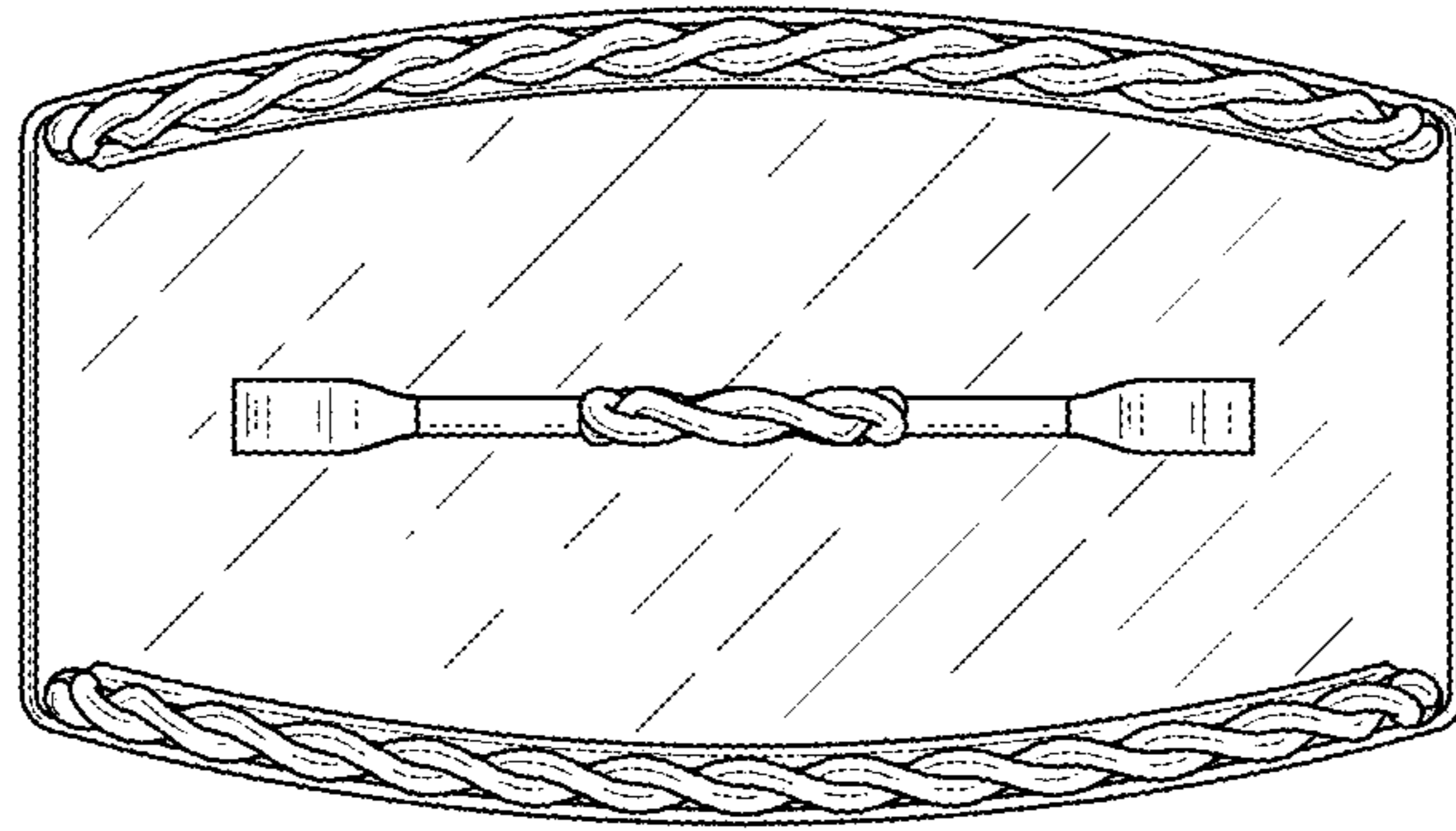


FIG. 4

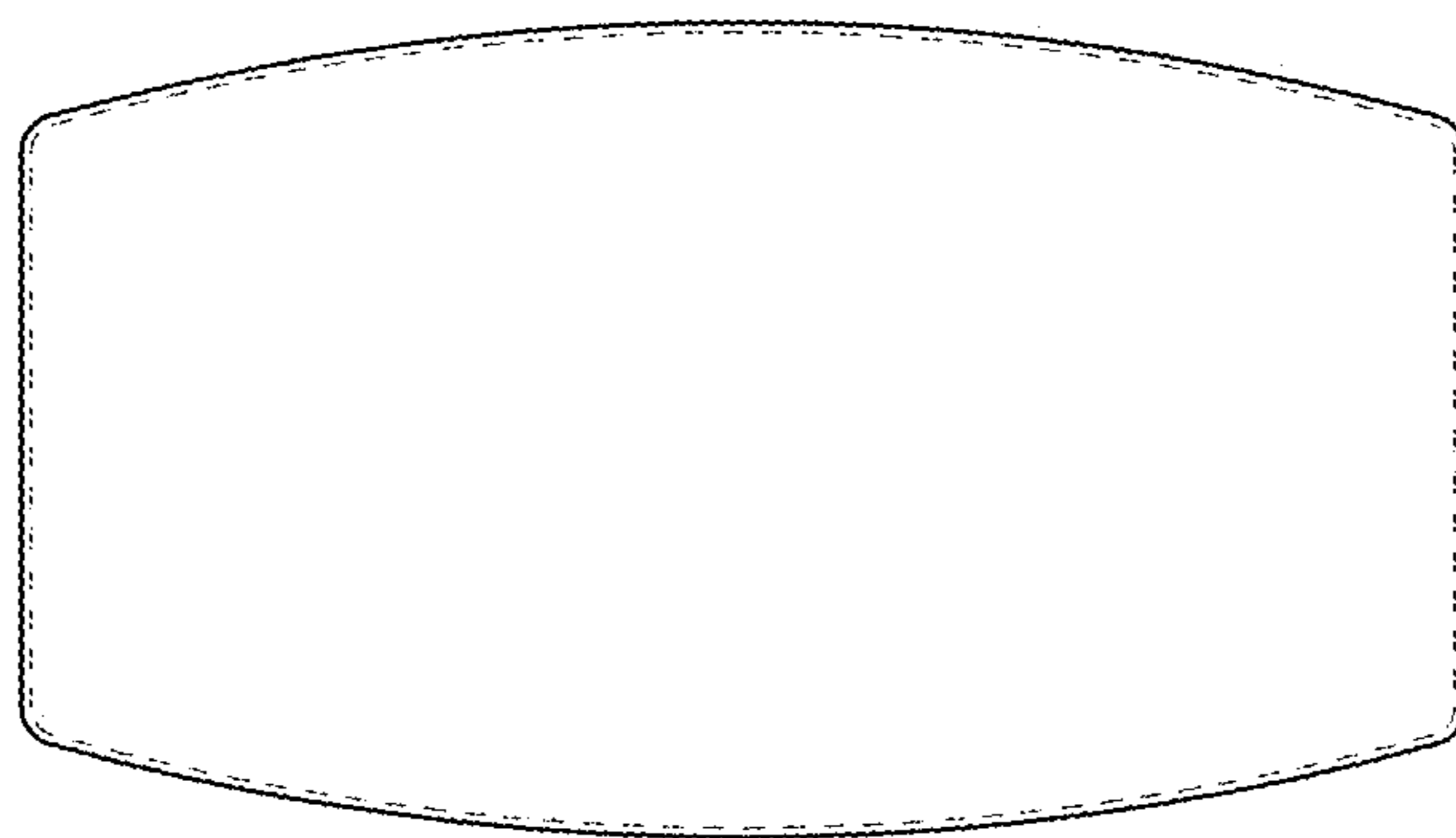


FIG. 5