



US00D894694S

(12) **United States Design Patent** (10) **Patent No.:** **US D894,694 S**
Parker (45) **Date of Patent:** **** *Sep. 1, 2020**

(54) **NAPKIN HOLDER**
(71) Applicant: **Barbara Parker**, Wayland, MA (US)
(72) Inventor: **Barbara Parker**, Wayland, MA (US)
(*) Notice: This patent is subject to a terminal disclaimer.
(**) Term: **15 Years**

D335,505 S *	5/1993	Chan	D19/75
6,457,605 B2	10/2002	Coleman	
D498,647 S *	11/2004	Angeletti	D7/631
6,892,898 B1	5/2005	Boone et al.	
D520,748 S *	5/2006	Nudo	D19/92
D526,165 S *	8/2006	Burns	D7/631
D527,587 S *	9/2006	Zeiron	D7/631
D571,159 S *	6/2008	Pommier	D7/631
D648,187 S *	11/2011	Kuehneman	D7/631
D709,289 S *	7/2014	Kraemer	D19/92
2006/0163268 A1	7/2006	Kuehneman et al.	
2009/0050647 A1	2/2009	Kuenheman	

(21) Appl. No.: **29/547,395**
(22) Filed: **Dec. 3, 2015**
(51) **LOC (12) Cl.** **07-06**
(52) **U.S. Cl.**
USPC **D7/631**
(58) **Field of Classification Search**
USPC D3/306; D6/566-574; D7/631,
D7/637-641; D19/75, 81-86, 90, 92;
211/41.4, 70.7, 85.31, 90.03, 106, 126.8,
211/126.9, 133.2, 133.5; 220/485-488,
220/491; 248/37.3, 37.6, 153, 175
CPC . A47B 88/00; A47B 88/20; A47F 7/00; A47F
7/14; A47G 21/00; A47G 21/16; B65D
1/34; B65D 1/36; B65D 21/046; B65D
21/048; G09F 1/14
See application file for complete search history.

FOREIGN PATENT DOCUMENTS

WO	2007106578	9/2007
WO	2008035327	3/2008

* cited by examiner

Primary Examiner — Janice Patyk
(74) *Attorney, Agent, or Firm* — Gary E. Lambert; David J. Connaughton, Jr.; Lambert Shortell & Connaughton

(57) **CLAIM**

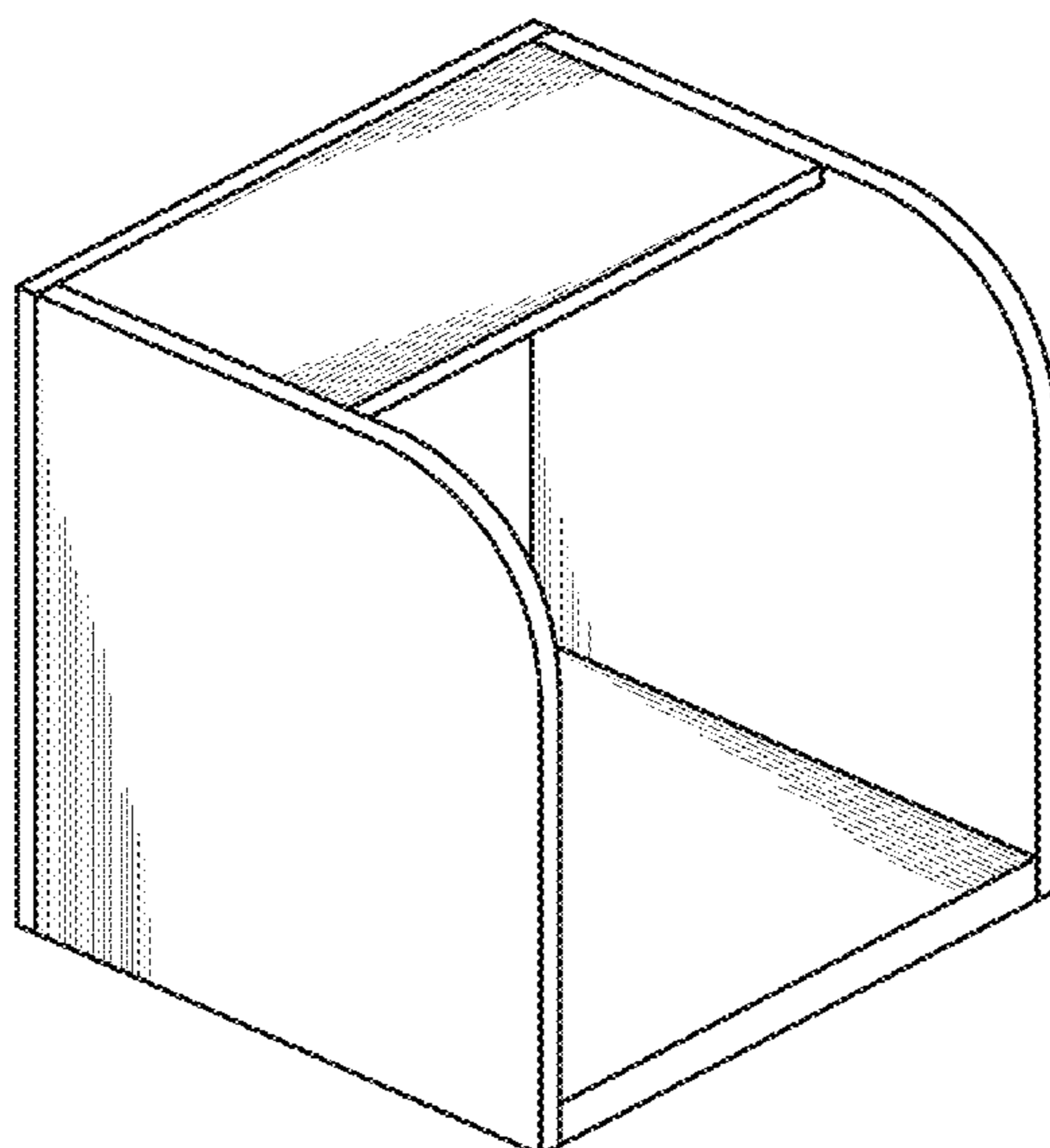
The ornamental design for a napkin holder, as shown and described.

DESCRIPTION

FIG. 1 is a front isometric view of a napkin holder, showing my new design;
FIG. 2 is a left side view of the napkin holder;
FIG. 3 is a top plan view of the napkin holder;
FIG. 4 is a back view of the napkin holder;
FIG. 5 is a front view of the napkin holder;
FIG. 6 is a bottom plan view of the napkin holder; and,
FIG. 7 is a front isometric view of the napkin holder; shown in environmental use.
The broken lines napkins in FIG. 7 illustrate environmental subject matter that forms no part of the claimed design.

(56) **References Cited**
U.S. PATENT DOCUMENTS
1,930,805 A 10/1933 Hope
2,278,011 A 3/1942 Murdock
2,940,598 A 6/1960 Sundberg
3,473,672 A * 10/1969 Fincher A47K 10/423
211/51
D234,999 S * 4/1975 Stewart 211/51
4,155,484 A 5/1979 Pastore
D253,627 S * 12/1979 Adamson D19/92
4,491,242 A 1/1985 Trinidad
4,534,475 A * 8/1985 Mayo A47B 87/0261
211/126.12

1 Claim, 3 Drawing Sheets



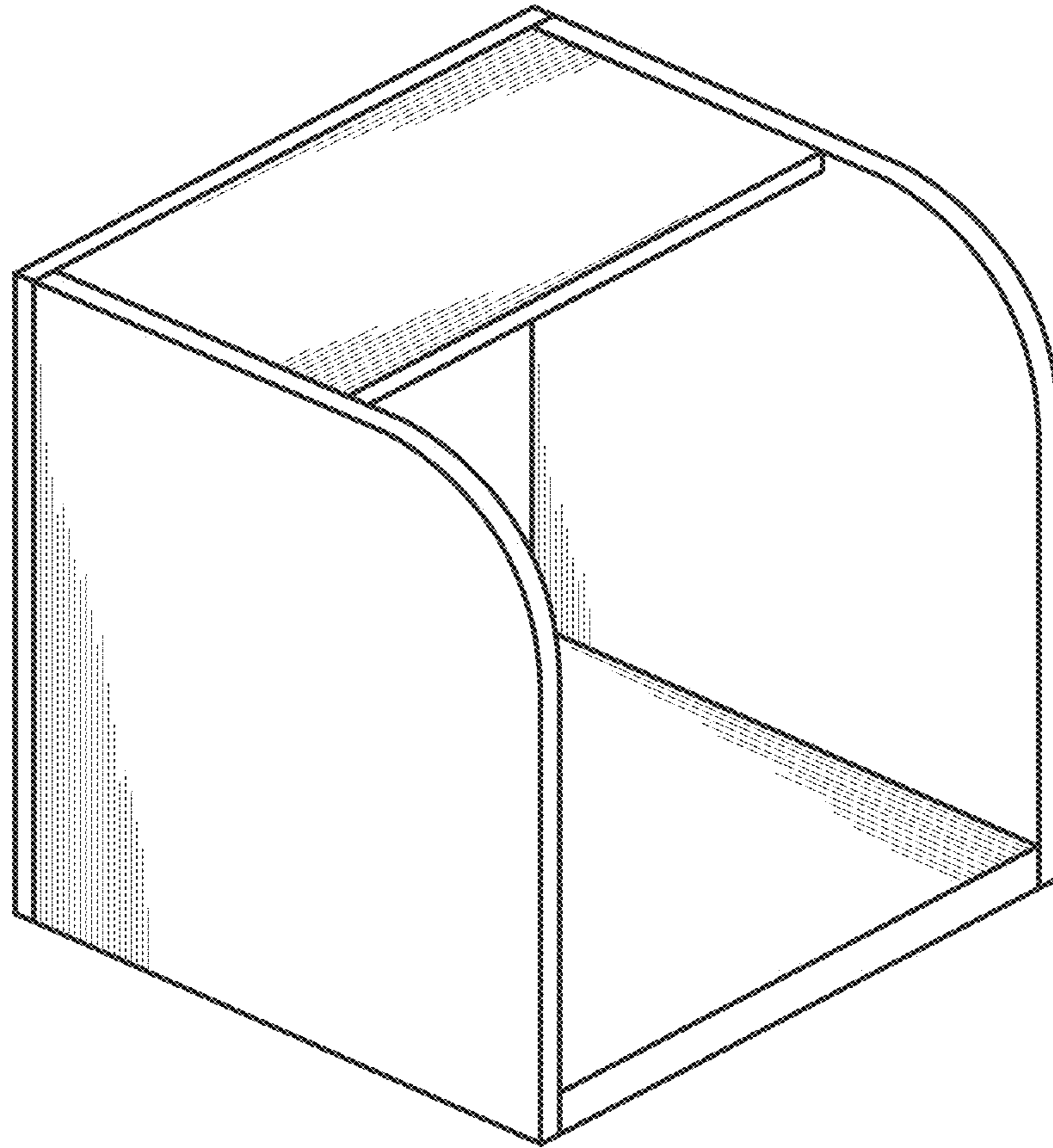


Fig. 1

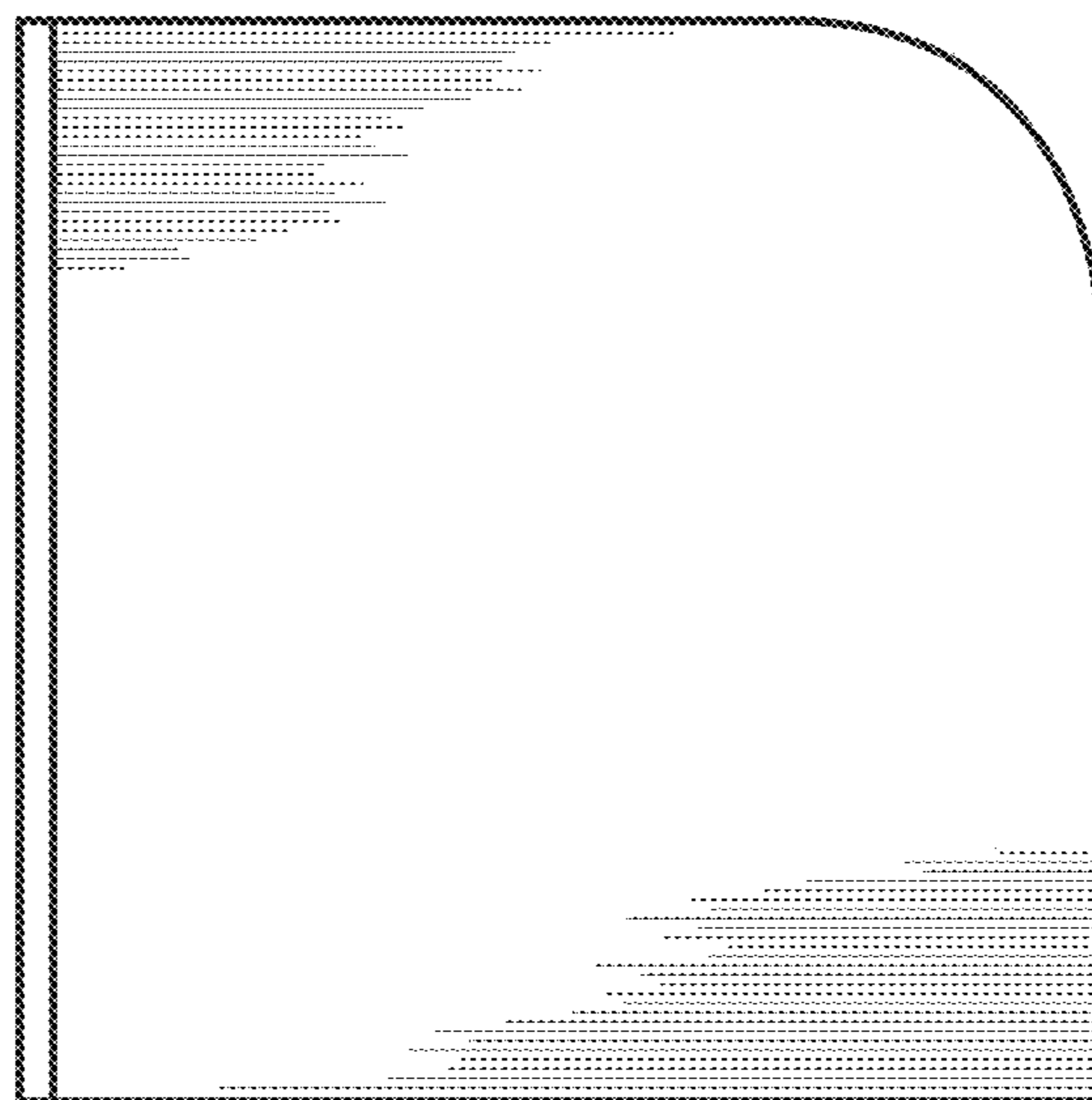


Fig. 2

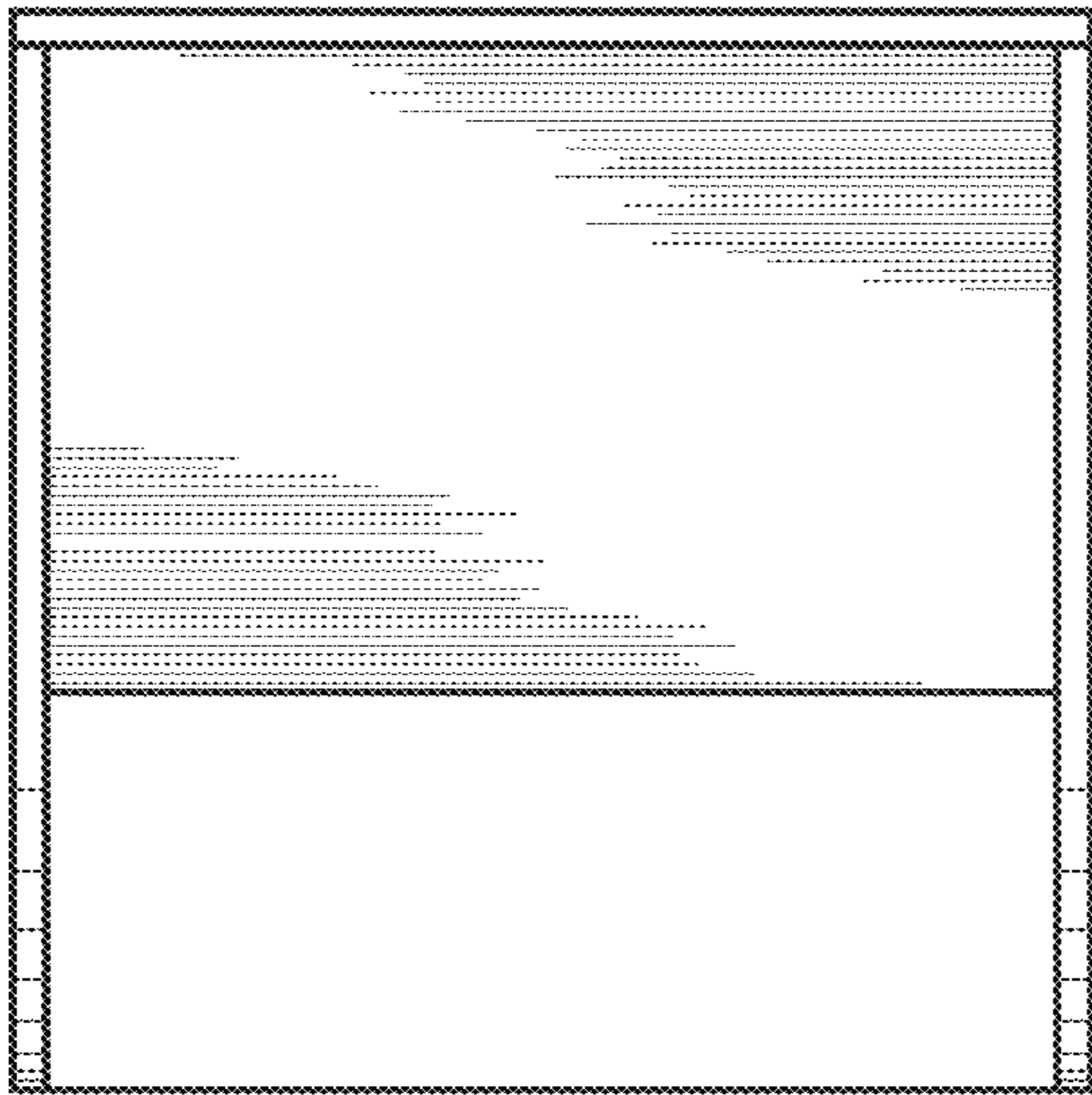


Fig. 3

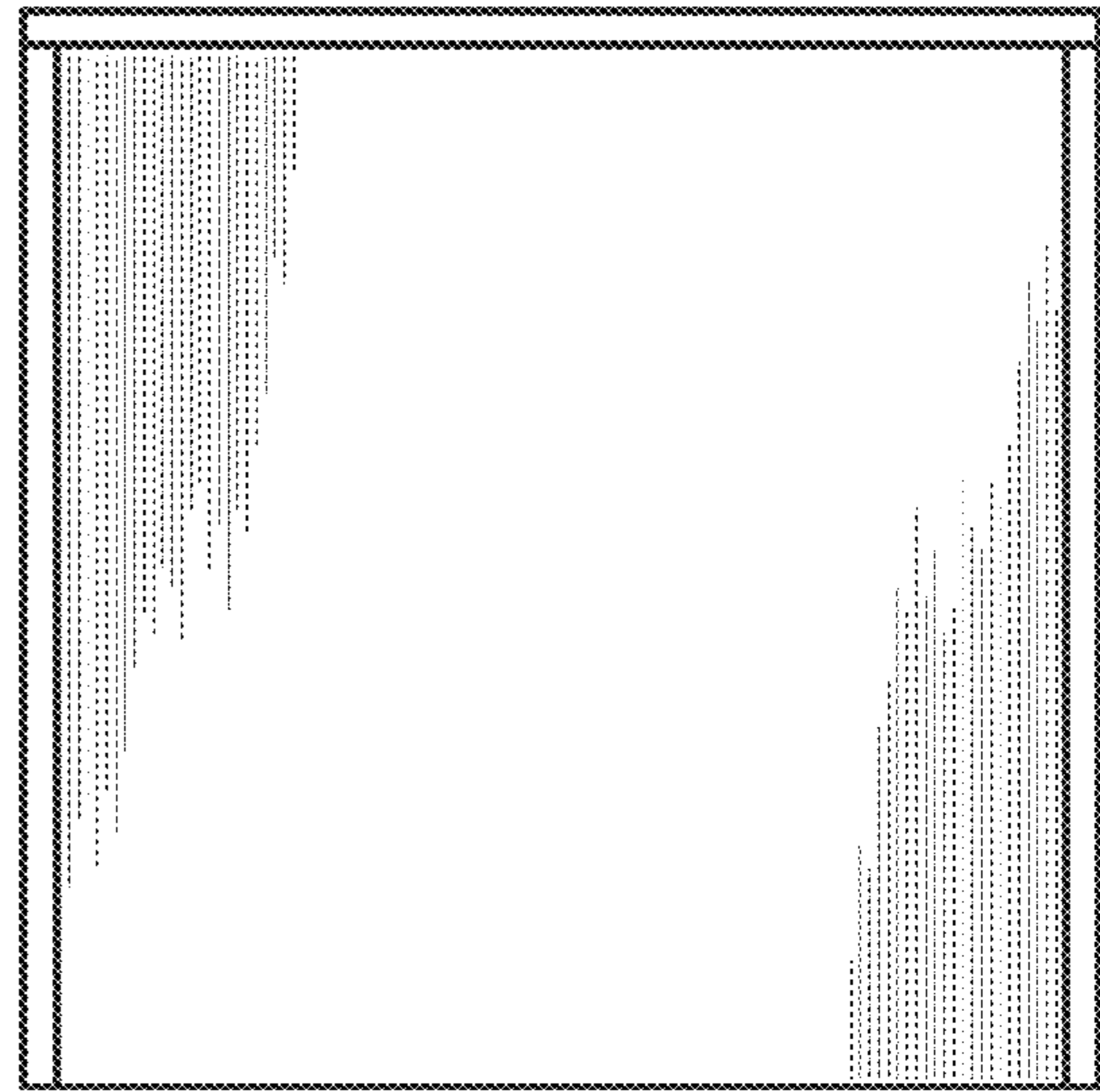


Fig. 4

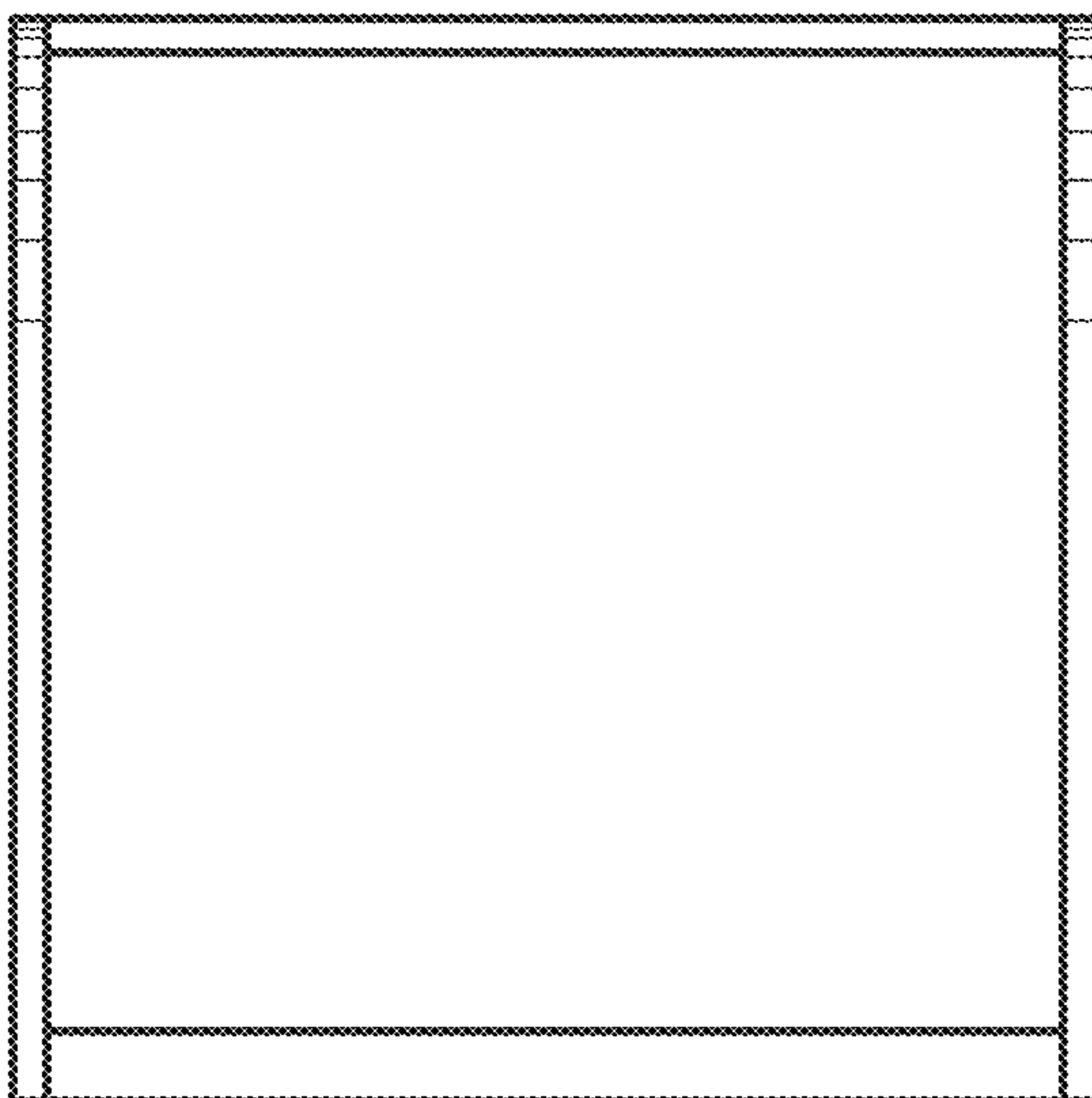


Fig. 5

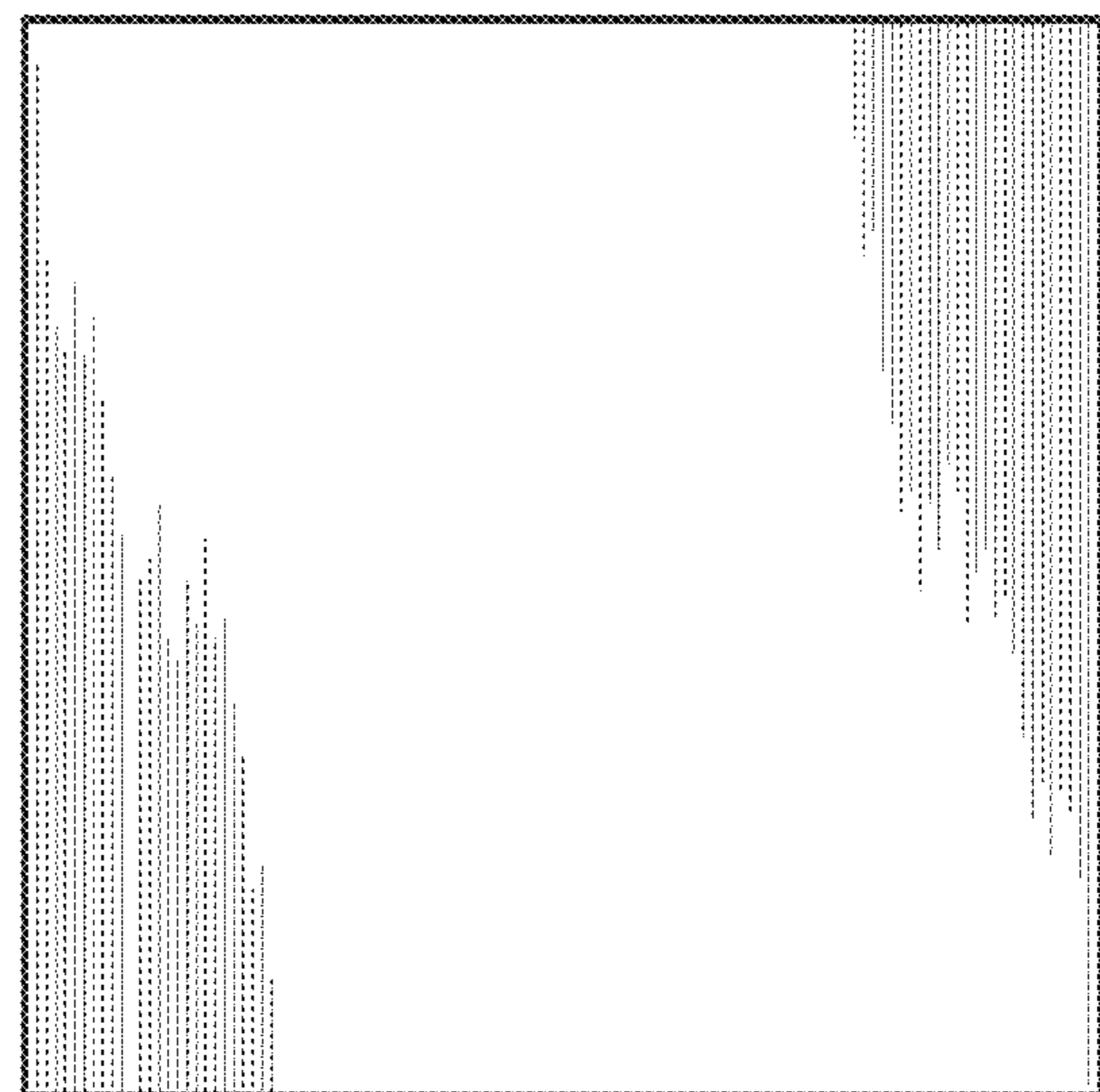


Fig. 6

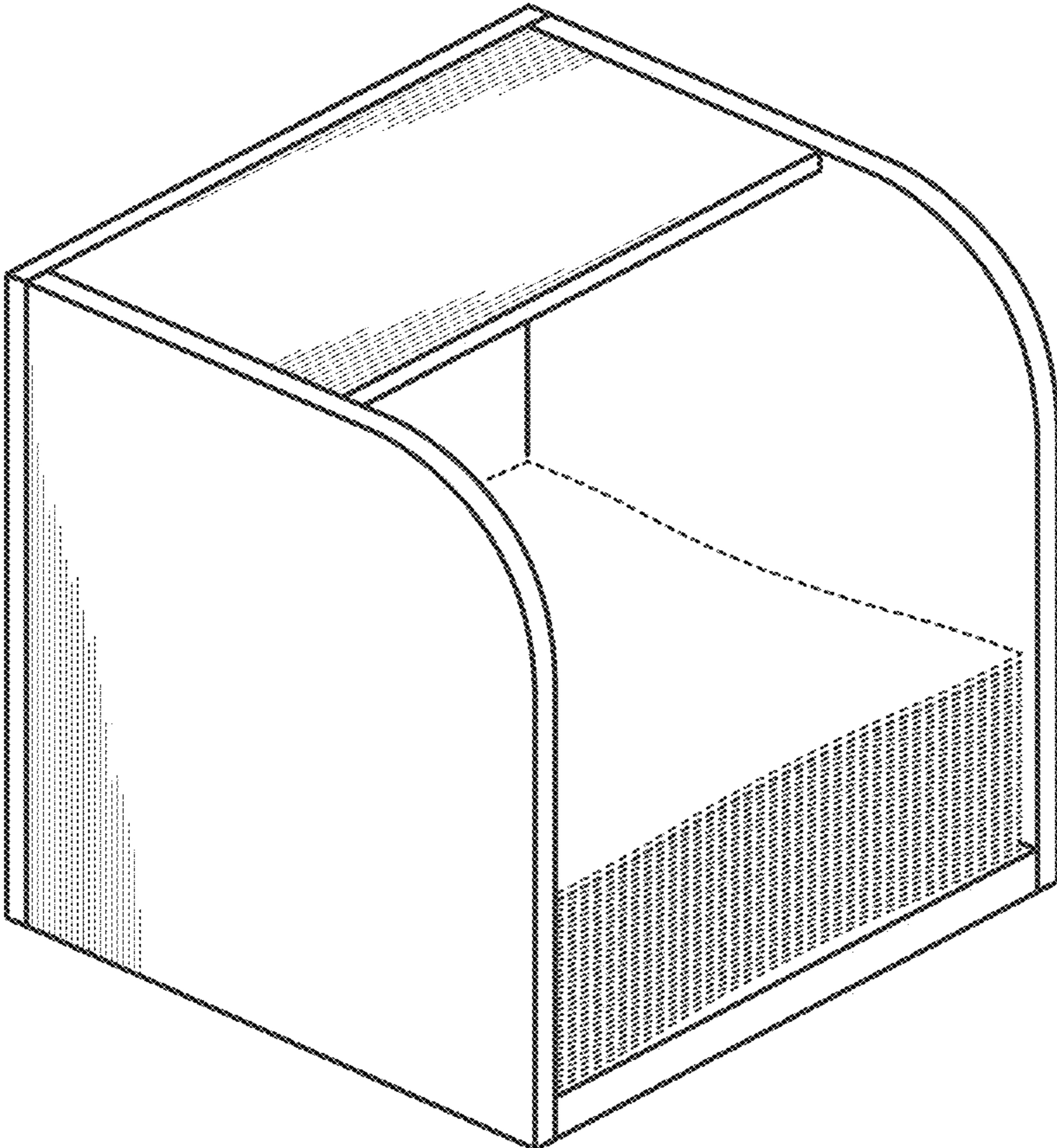


Fig. 7