

US00D894693S

(12) **United States Design Patent** (10) **Patent No.:** **US D894,693 S**
Clouser (45) **Date of Patent:** **** Sep. 1, 2020**

(54) **INSULATING COFFEEMAKER COVER**

(71) Applicant: **Brad Clouser**, Malvern, PA (US)

(72) Inventor: **Brad Clouser**, Malvern, PA (US)

(**) Term: **15 Years**

(21) Appl. No.: **29/674,675**

(22) Filed: **Dec. 22, 2018**

(51) **LOC (12) Cl.** **07-01**

(52) **U.S. Cl.**
USPC **D7/624.2; D7/607; D7/391; D7/392;**
D7/397; D7/399

(58) **Field of Classification Search**
USPC **D7/624.2, 607, 625, 391, 392, 392.1,**
D7/397, 399; D3/229
CPC **B65B 25/02; B65B 25/026; B65D 81/3886**
See application file for complete search history.

(56) **References Cited**

U.S. PATENT DOCUMENTS

- 2,685,318 A * 8/1954 Merkle B65D 81/3886
215/395
- D280,438 S * 9/1985 Wendt 4/580
- 4,871,597 A * 10/1989 Hobson B32B 27/12
428/36.1
- 4,978,265 A * 12/1990 De Wan F16B 13/005
411/182
- D358,728 S * 5/1995 Harris D6/610
- D396,772 S * 8/1998 Hanzok D6/610
- 5,799,820 A * 9/1998 Maas B65D 81/3879
220/739
- D432,873 S * 10/2000 Fair D7/607
- D455,935 S * 4/2002 Detiveaux D7/624.2
- 6,477,804 B2 * 11/2002 Weder B65B 25/02
47/72
- D505,837 S * 6/2005 Lima D7/603

- D514,867 S * 2/2006 Steiner D7/309
- D567,031 S * 4/2008 Zacharias D7/624.3
- D601,862 S * 10/2009 Welch D7/607
- D605,900 S * 12/2009 Bodum D7/387
- D614,001 S * 4/2010 Welch D7/605
- D666,060 S * 8/2012 Welch D7/606
- D705,611 S * 5/2014 Britt B65D 81/3865
D7/607
- 9,126,748 B2 * 9/2015 Hiner B65D 81/3876
- D745,811 S * 12/2015 Reaux D7/607
- D754,486 S * 4/2016 Ott D7/624.2
- D764,162 S * 8/2016 Seda D3/202
- D796,270 S * 9/2017 McConnell D7/625
- D798,674 S * 10/2017 Zhou D7/624.2
- D807,710 S * 1/2018 Halter D7/607
- D866,952 S * 11/2019 Duran D3/202

* cited by examiner

Primary Examiner — Marianne N Pandozzi
(74) *Attorney, Agent, or Firm* — Axenfeld Law Group, LLC; Robert R. Axenfeld, Esq.

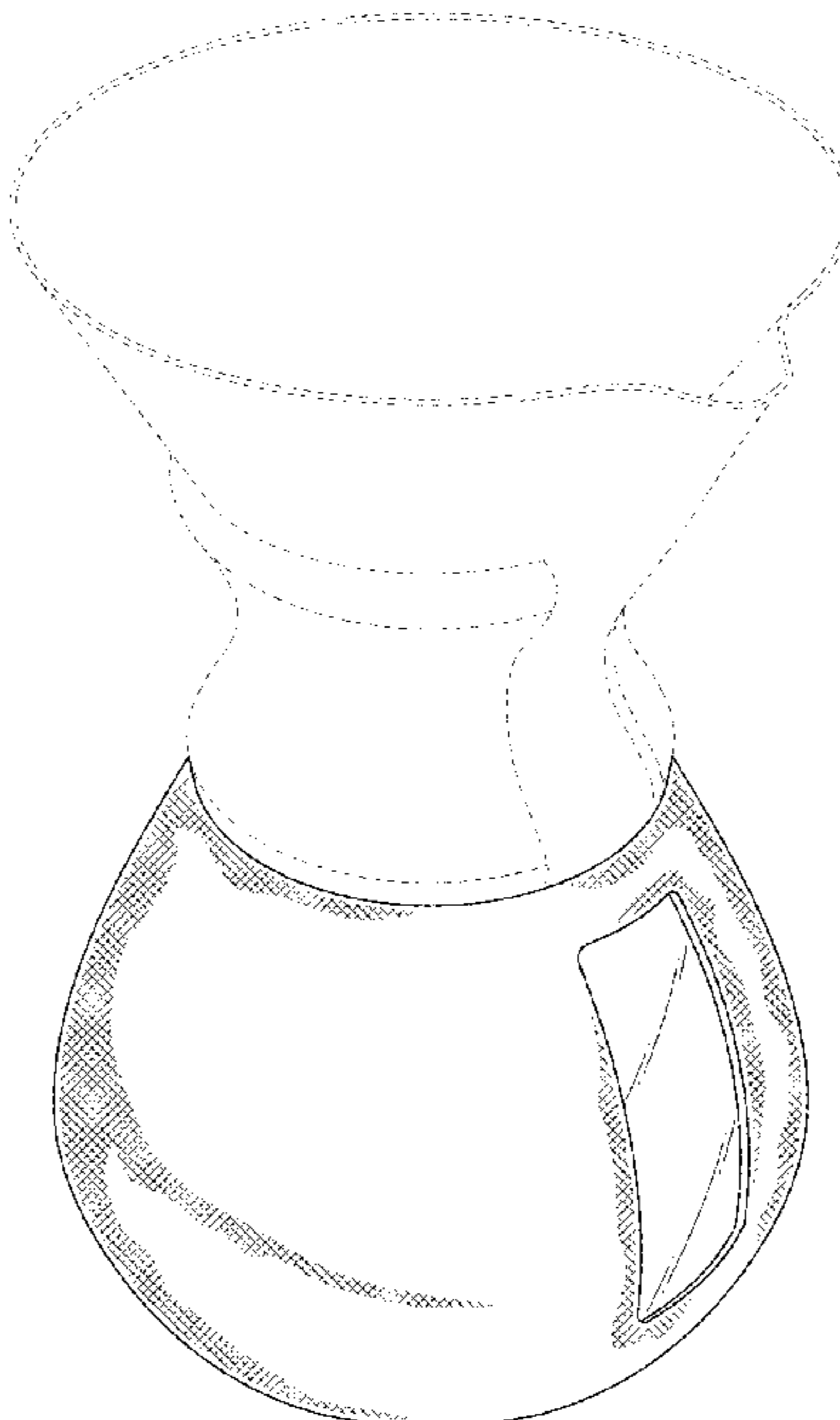
(57) **CLAIM**

The ornamental design for an insulating coffeemaker cover, as shown and described.

DESCRIPTION

FIG. 1 is a perspective view of an insulating coffeemaker cover showing my new design; FIG. 2 is a front view thereof; FIG. 3 is a rear view thereof; FIG. 4 is a left side view thereof; FIG. 5 is a right side view thereof; FIG. 6 is a top plan view thereof; and, FIG. 7 is a bottom plan view thereof. The broken lines showing the insulating coffeemaker cover, or portion thereof, are not a part of the claimed design.

1 Claim, 7 Drawing Sheets



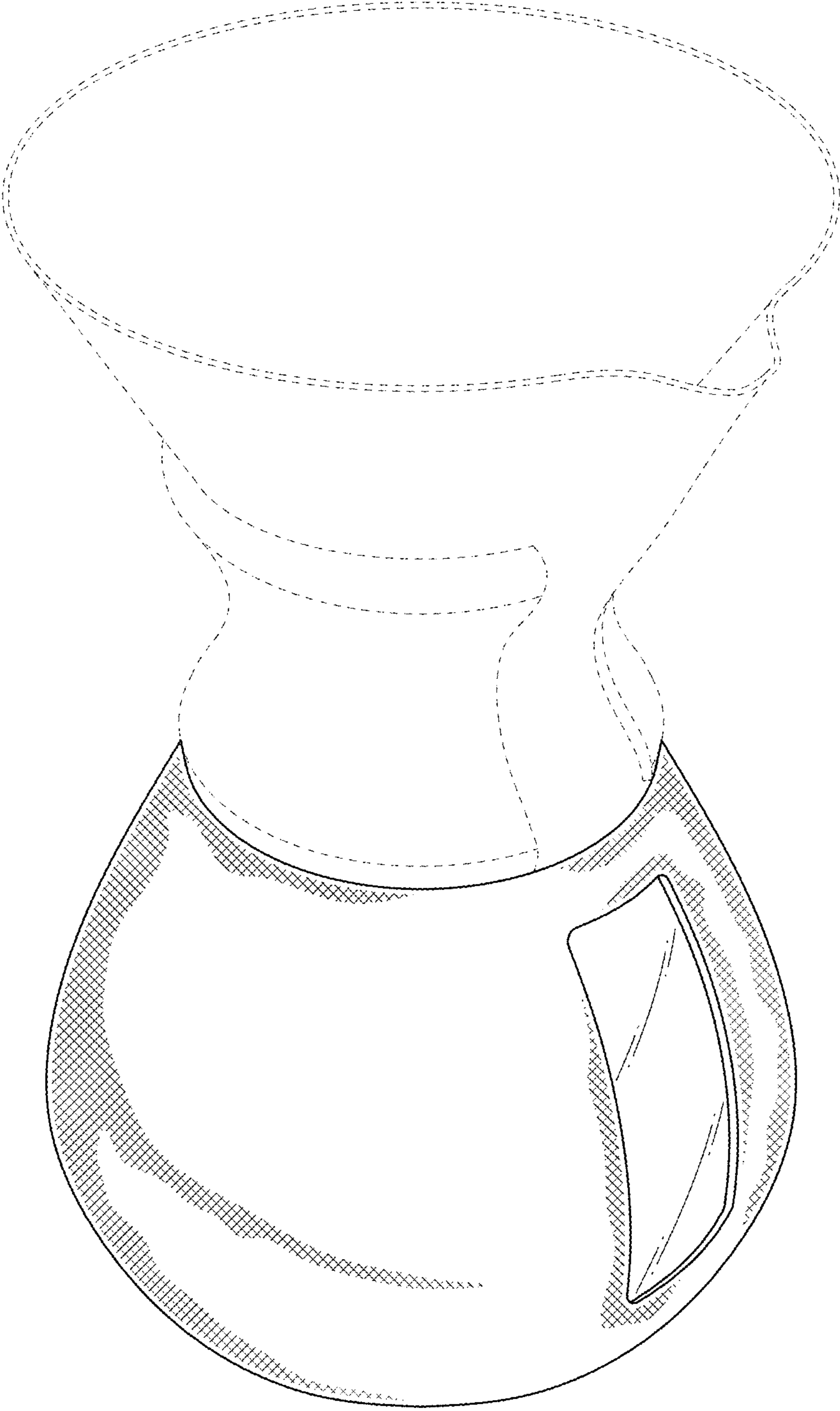


FIG. 1

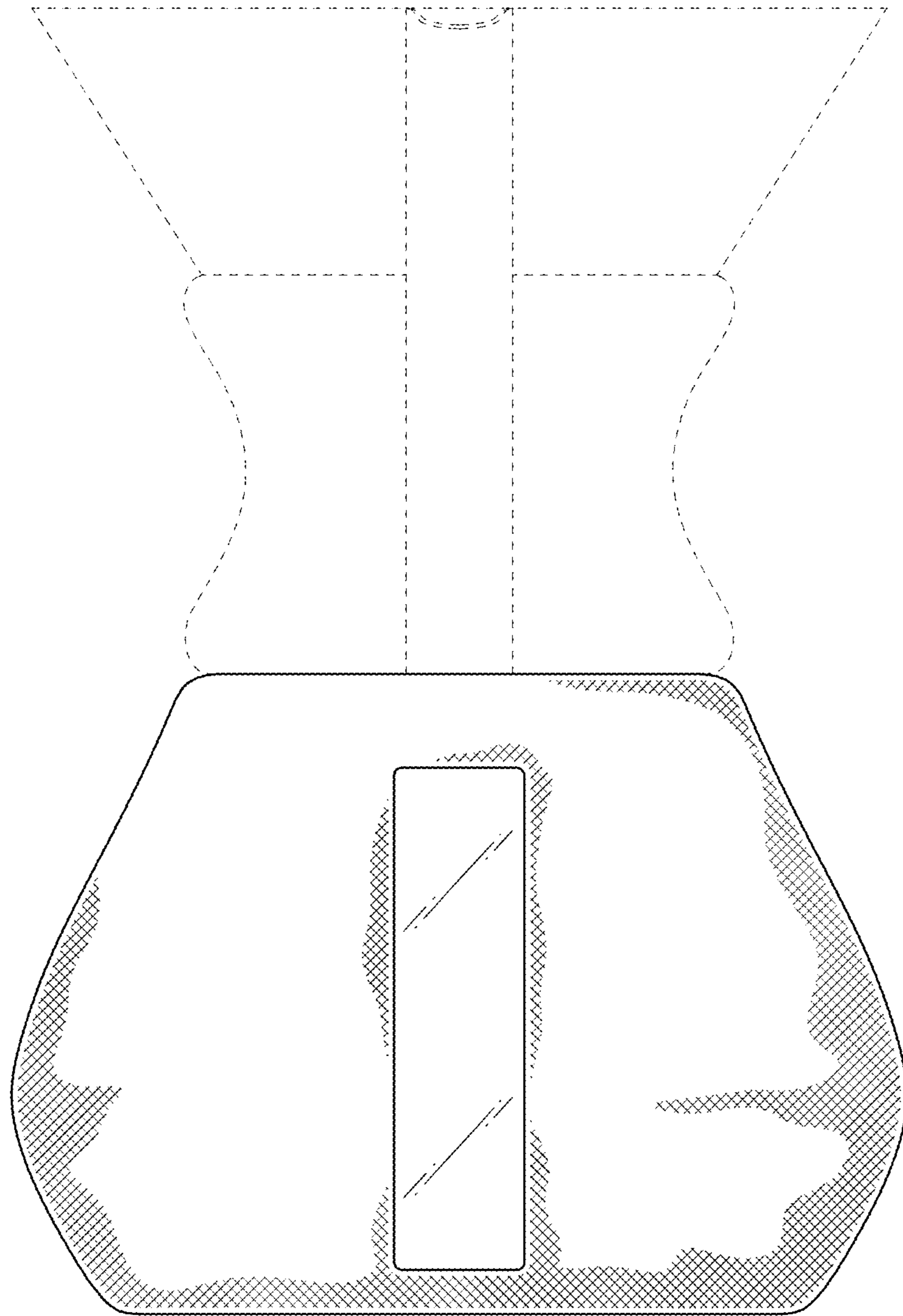


FIG. 2

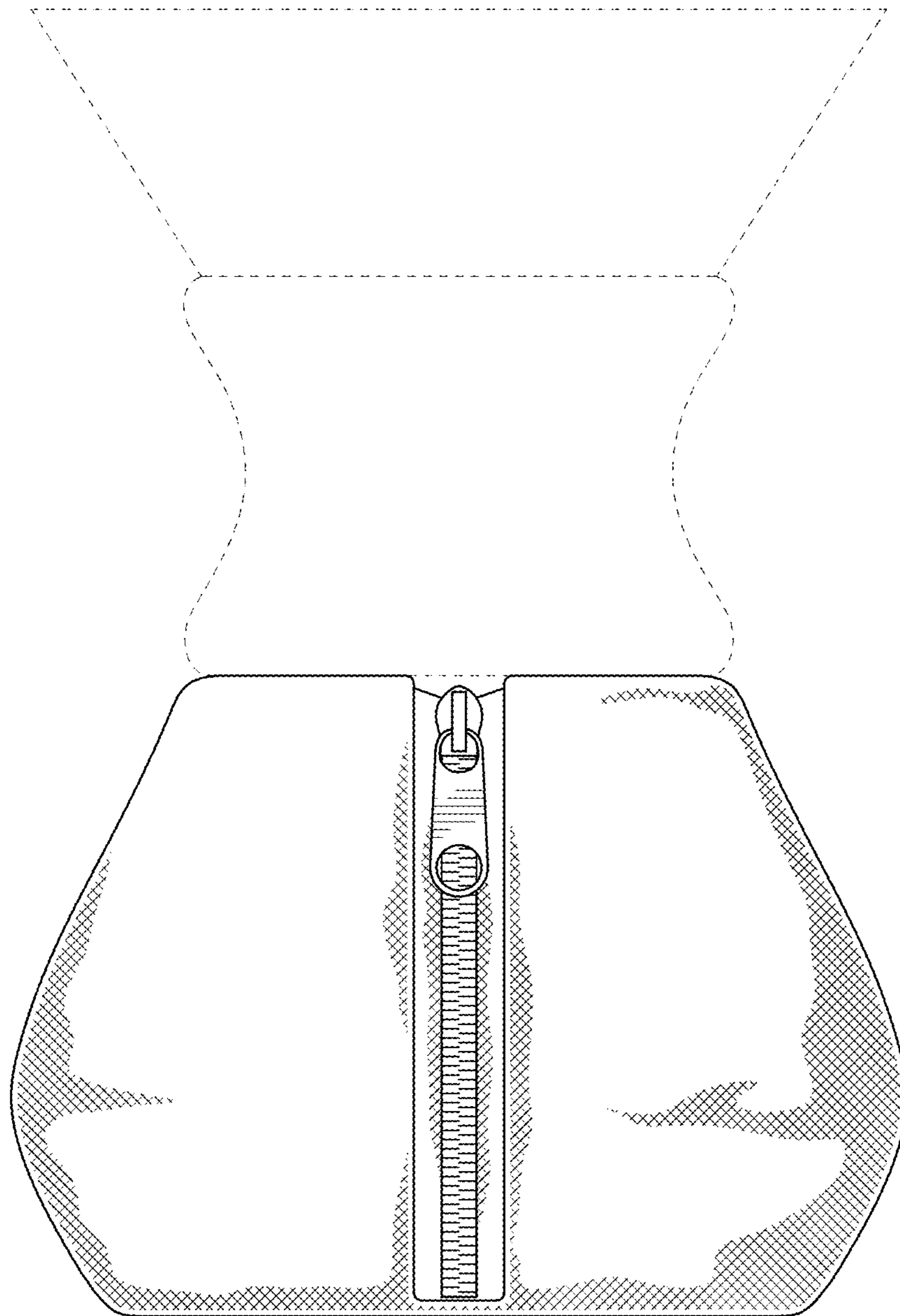


FIG. 3

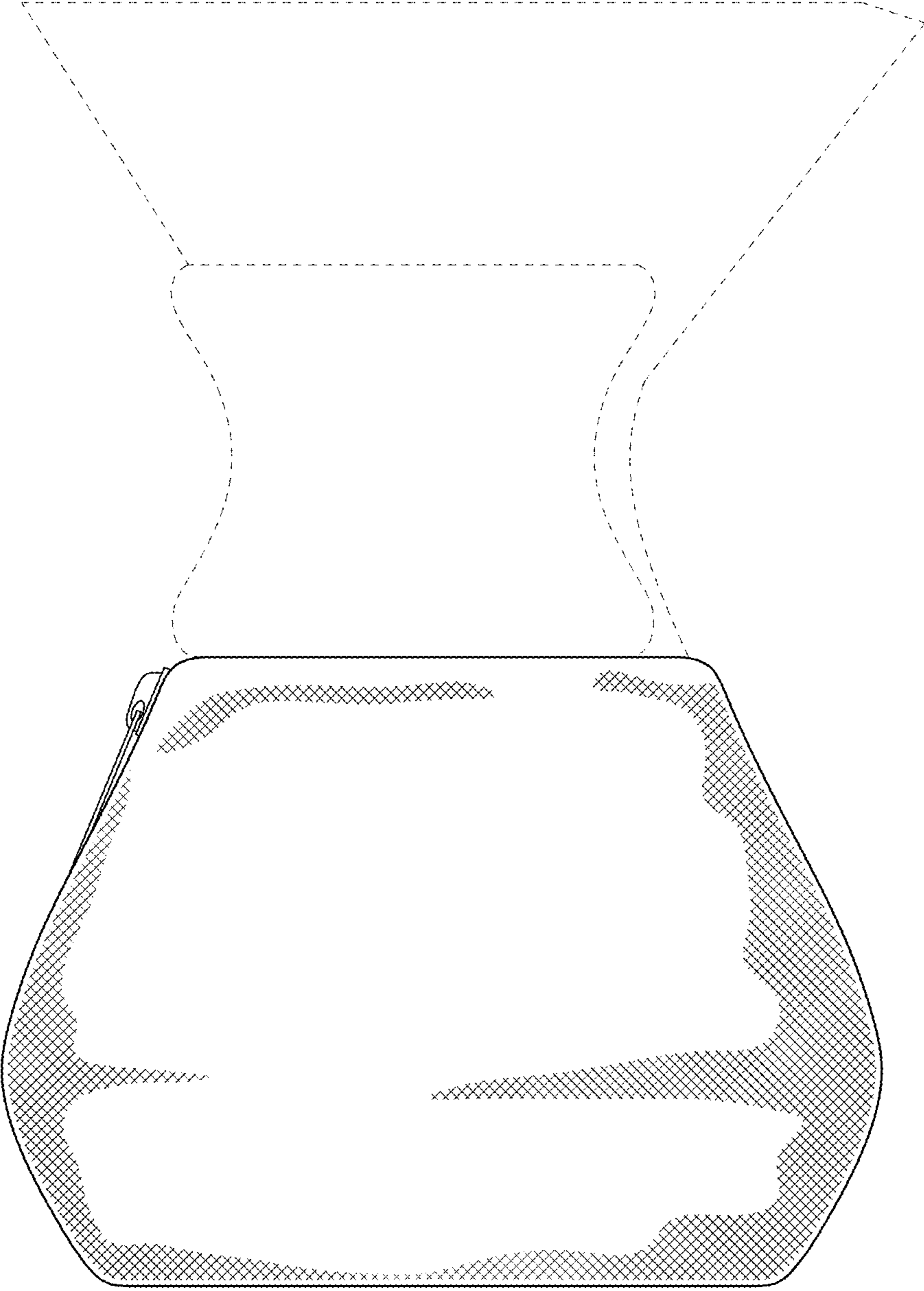


FIG.4

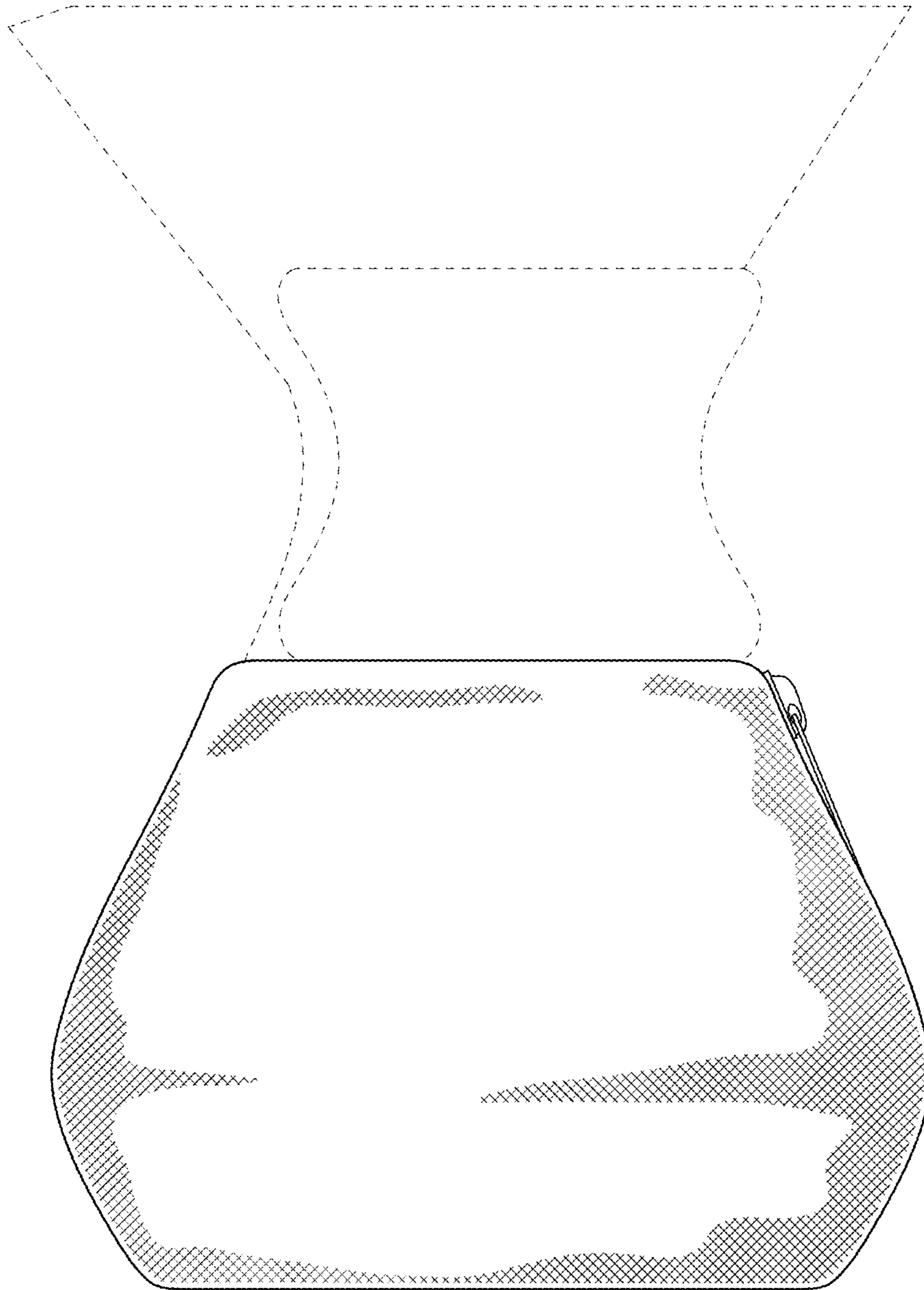


FIG.5

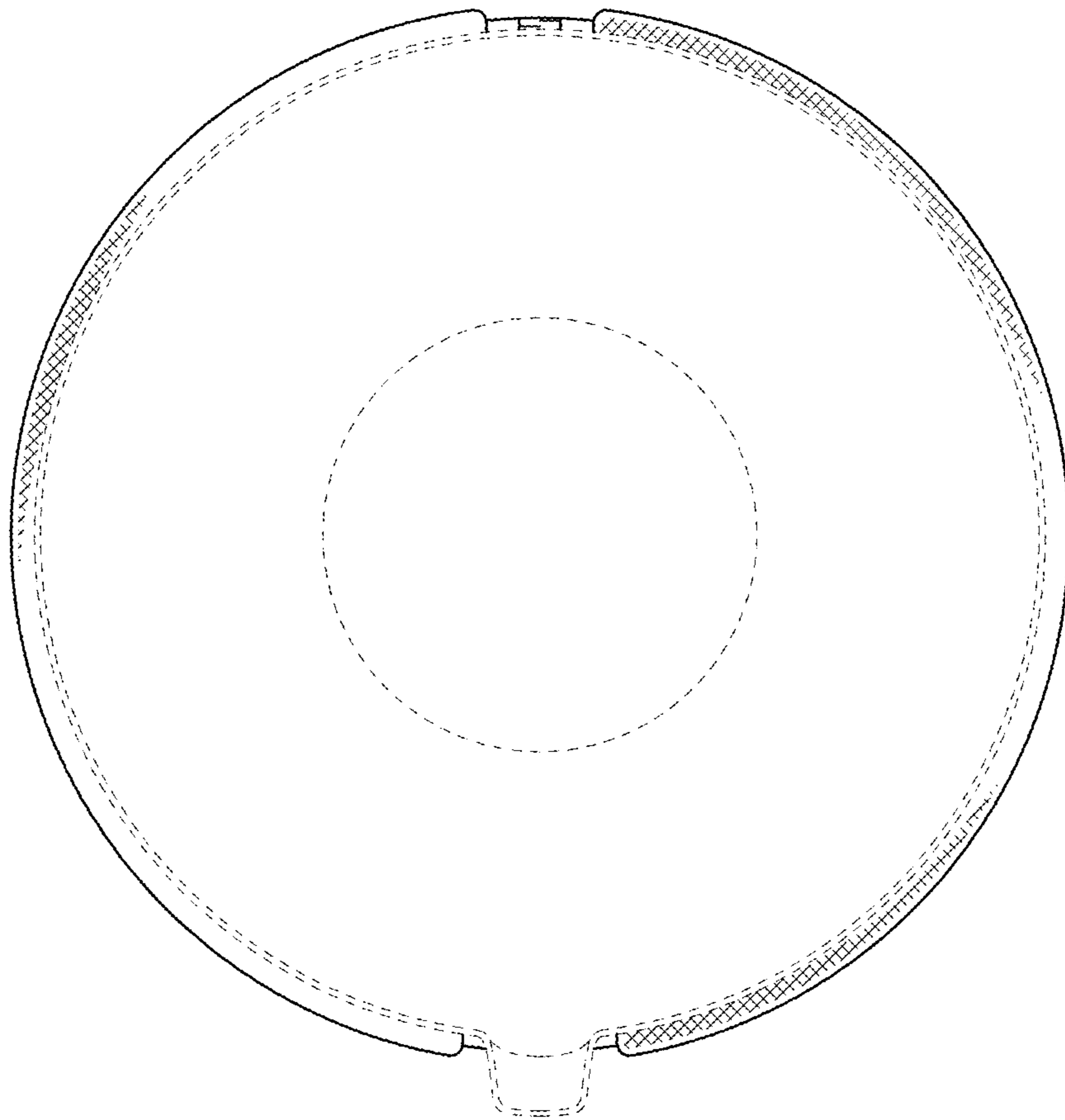


FIG.6

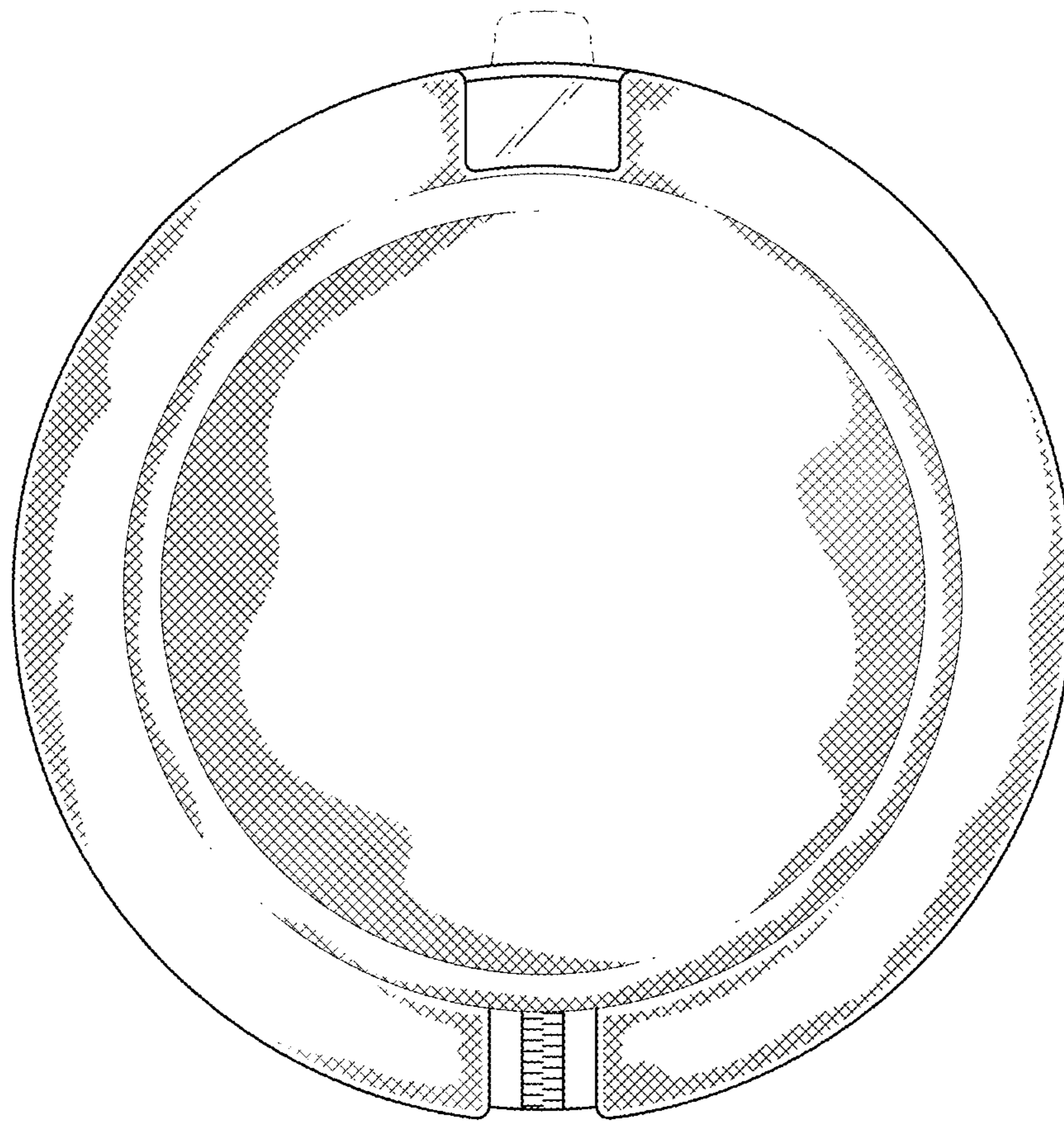


FIG. 7