



US00D894692S

(12) **United States Design Patent**  
**Herold**

(10) **Patent No.:** **US D894,692 S**

(45) **Date of Patent:** **\*\* Sep. 1, 2020**

- (54) **CUSTOMIZABLE, MODULAR THERMAL INSULATOR**
- (71) Applicant: **Jeffrey Herold**, Huntington Beach, CA (US)
- (72) Inventor: **Jeffrey Herold**, Huntington Beach, CA (US)
- (73) Assignee: **West Coast Trends, Inc.**, Huntington Beach, CA (US)

4,537,313 A *	8/1985	Workman	.....	A47J 47/145
				206/545
D289,597 S *	5/1987	Averitt	.....	D7/605
4,805,776 A *	2/1989	Namgyal	.....	A45C 3/00
				206/523
D311,476 S *	10/1990	Kumakura	.....	D7/605
D328,550 S *	8/1992	Mogil	.....	D7/605
D340,840 S *	11/1993	Melk	.....	D3/283
D387,626 S *	12/1997	Melk	.....	D7/605
5,971,200 A	10/1999	Reynolds		
6,027,249 A	2/2000	Bielinski		
D452,154 S	12/2001	Rhodes		
D467,129 S	12/2002	Perianes		
D468,071 S	12/2002	Le		

(\*\*) Term: **15 Years**

(Continued)

(21) Appl. No.: **29/733,673**

(22) Filed: **May 5, 2020**

(51) **LOC (12) Cl.** ..... **07-01**

(52) **U.S. Cl.**  
USPC ..... **D7/607; D7/605**

(58) **Field of Classification Search**  
 USPC ..... D7/603-608, 709, 710, 629; D3/283, D3/287, 289, 232, 233, 267, 268, 273, D3/276, 315, 318  
 CPC ..... F25D 2331/804; F25D 2331/801; F25D 3/08; B65D 30/08; B65D 30/22; B65D 81/3858; B65D 81/3828; B65D 81/3888; B65D 81/18; B65D 81/3897; B65D 81/3851; B65D 81/3853; B65D 31/04; B65D 53/00; B65D 69/00; B65D 8/18; A45C 11/20; A45C 13/02; A45F 3/02; A45F 3/12; A45F 3/14; A45F 3/04; A45F 4/02

See application file for complete search history.

(56) **References Cited**

**U.S. PATENT DOCUMENTS**

D217,074 S	3/1970	Jones	
4,050,264 A *	9/1977	Tanaka	..... F25D 3/08
			62/457.2

**OTHER PUBLICATIONS**

abags.com, Apr. 23, 2020, Internet printout: <https://www.abags.com/product/ebags/crew-cooler-ii/204851?productid=10110545>.

(Continued)

*Primary Examiner* — Terry A Wallace

(74) *Attorney, Agent, or Firm* — Todd R. Miller

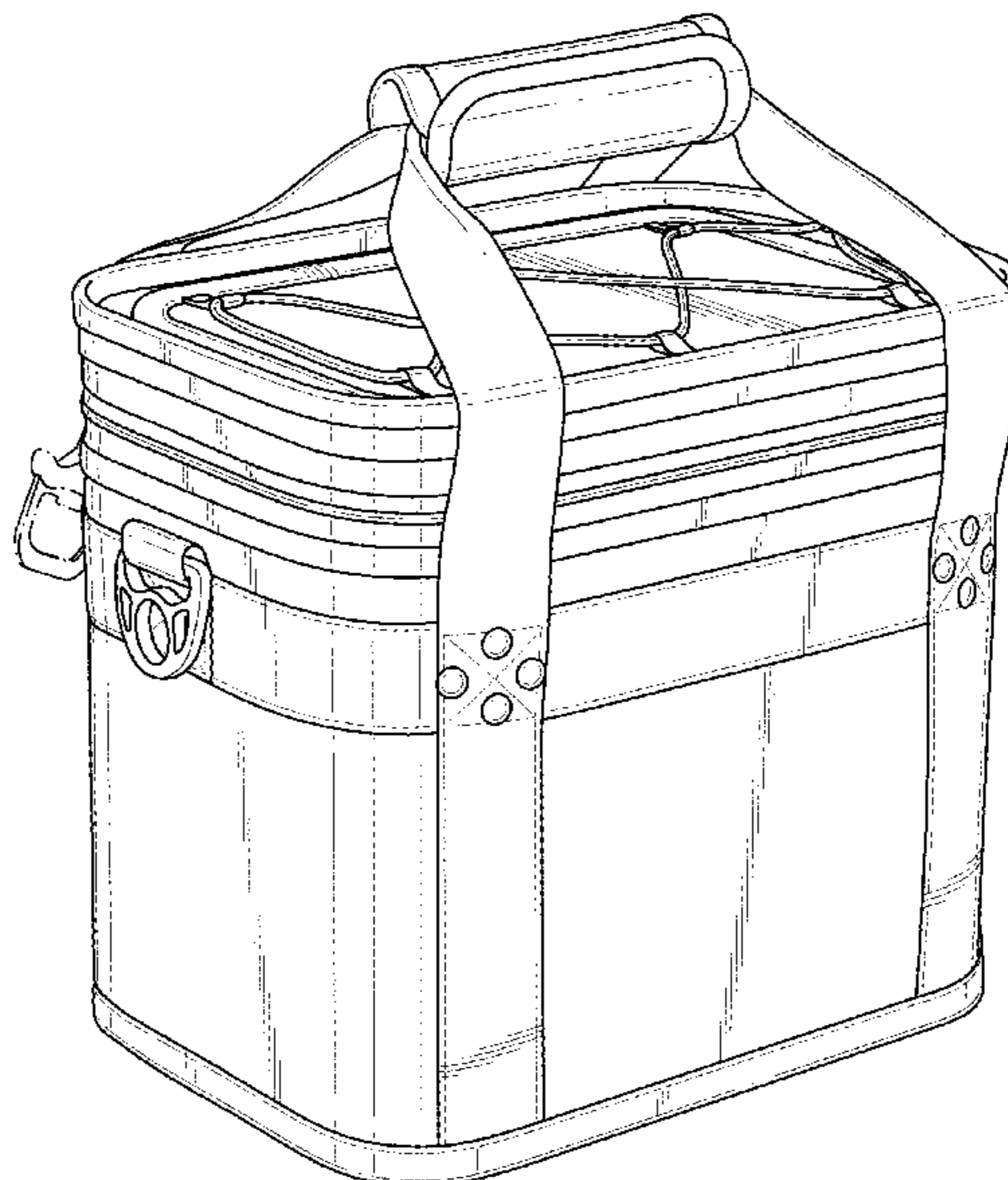
(57) **CLAIM**

The ornamental design for a customizable, modular thermal insulator, as shown and described.

**DESCRIPTION**

FIG. 1 is a perspective view embodying the inventive customizable, modular thermal insulator;  
 FIG. 2 is a front view of the device as seen in FIG. 1;  
 FIG. 3 is a right side view of the device as seen in FIG. 1;  
 FIG. 4 is a rear view of the device as seen in FIG. 1;  
 FIG. 5 is a left side view of the device as seen in FIG. 1;  
 FIG. 6 is a top view of the device as seen in FIG. 1; and,  
 FIG. 7 is a bottom view of the device as seen in FIG. 1.  
 The broken lines in the figures depict environmental subject matter only and form no part of the claimed design.

**1 Claim, 7 Drawing Sheets**



(56)

**References Cited**

U.S. PATENT DOCUMENTS

7,162,890	B2 *	1/2007	Mogil .....	A45C 11/20 62/457.7
D566,479	S	4/2008	Kabalin	
D612,671	S	3/2010	Sanchez	
7,730,739	B2 *	6/2010	Fuchs .....	F25C 1/22 62/457.7
8,827,109	B1	9/2014	Sheehan	
D768,378	S *	10/2016	Schilp .....	D3/232
2006/0289428	A1	12/2006	Longua	
2007/0237432	A1 *	10/2007	Mogil .....	A45C 7/0077 383/38
2010/0133326	A1	6/2010	Sanchez	

OTHER PUBLICATIONS

etsy.com, Apr. 7, 2020, Internet printout: [https://www.etsy.com/listing/753995866/on-the-go-expandable-lunch-c...type=gallery&ga\\_search\\_query=ice+box+embroidery&ref=sr\\_gallery-1-1](https://www.etsy.com/listing/753995866/on-the-go-expandable-lunch-c...type=gallery&ga_search_query=ice+box+embroidery&ref=sr_gallery-1-1).

amazon.com, Apr. 14, 2020, [https://www.amazon.com/Polar-Bear-Coolers-Customizable-Cooler/dp/B06XCT9PQ1/ref=psdc\\_14335431\\_t1\\_B003GW7ZHA](https://www.amazon.com/Polar-Bear-Coolers-Customizable-Cooler/dp/B06XCT9PQ1/ref=psdc_14335431_t1_B003GW7ZHA).

polarbearcoolers.com, Apr. 14, 2020, Internet printout: <https://www.polarbearcoolers.com/>.

amazon.com, Apr. 14, 2020, Internet printout: <https://www.amazon.com/Personalized-Soft-Sided-Heavy-Canvas-Cooler/dp/B003GW7ZHA>.

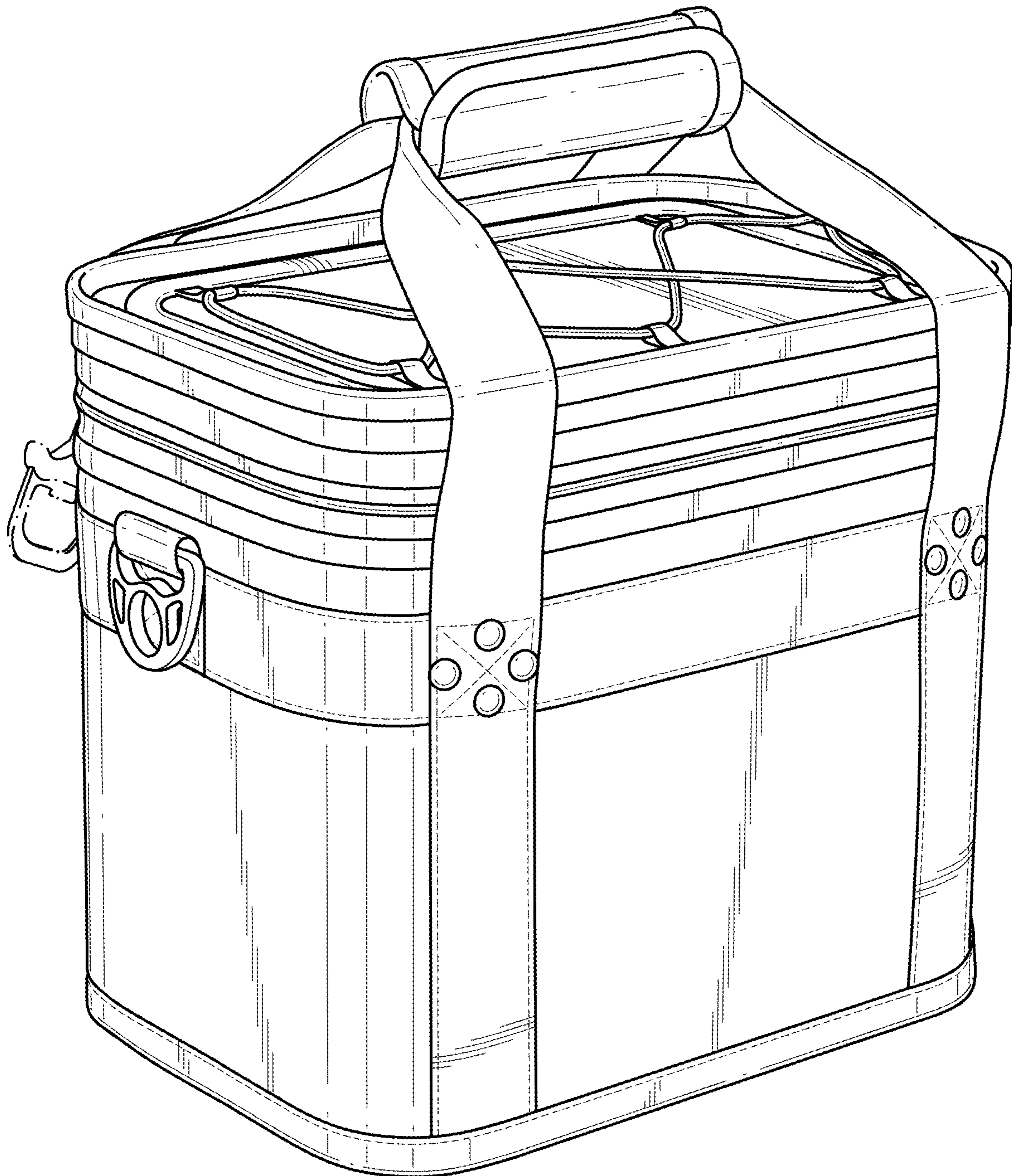
coleman.com, Apr. 23, 2020, Internet printout: [https://www.coleman.com/all-coolers?size=n\\_24\\_n&filters%5B0%5D%...5B0%5D=coleman-coolers-softcoolers&filters%5B0%5D%5Btype%5D=any](https://www.coleman.com/all-coolers?size=n_24_n&filters%5B0%5D%...5B0%5D=coleman-coolers-softcoolers&filters%5B0%5D%5Btype%5D=any) (6 pages).

coleman.com, Apr. 23, 2020, Internet printout: [https://www.coleman.com/all-coolers?size=n\\_24\\_n&filters%5B0%5D%...5B0%5D=coleman-coolers-softcoolers&filters%5B0%5D%5Btype%5D=any](https://www.coleman.com/all-coolers?size=n_24_n&filters%5B0%5D%...5B0%5D=coleman-coolers-softcoolers&filters%5B0%5D%5Btype%5D=any) (5 pages).

qualitylogoproducts.com, , Apr. 23, 2020, Internet printout: <https://www.qualitylogoproducts.com/blog/what-are-the-different-types-of-coolers/>.

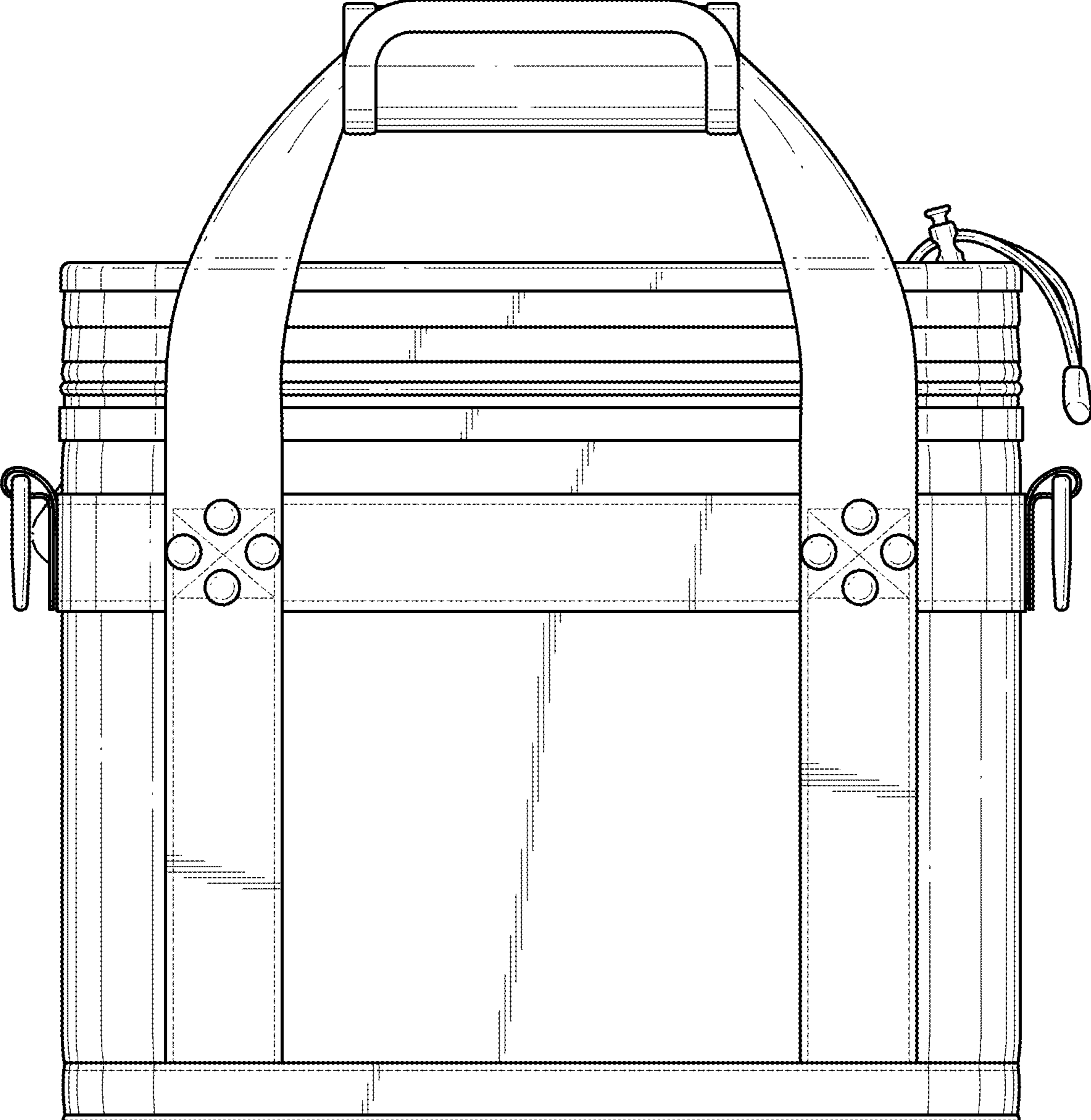
\* cited by examiner

**FIG. 1**

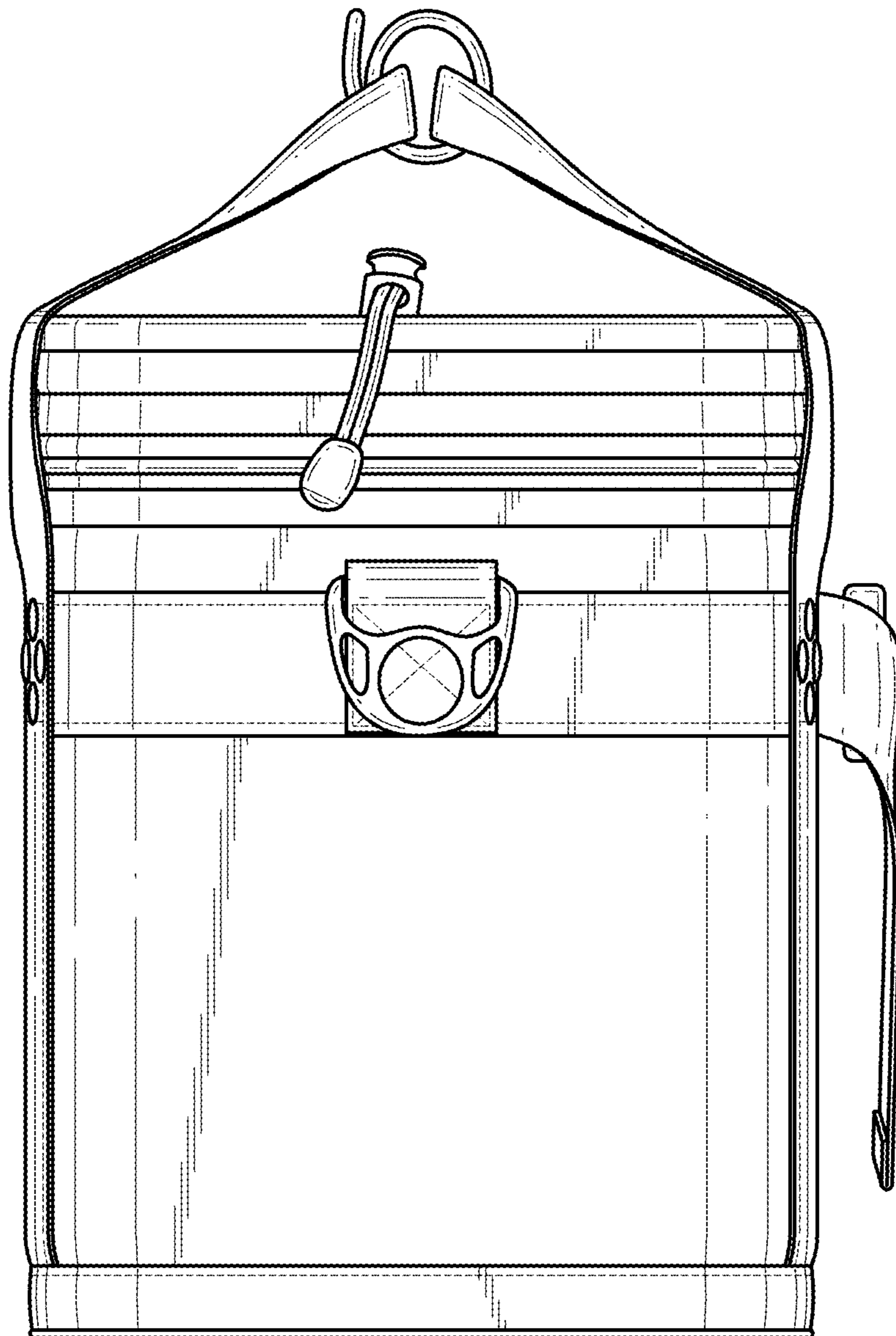




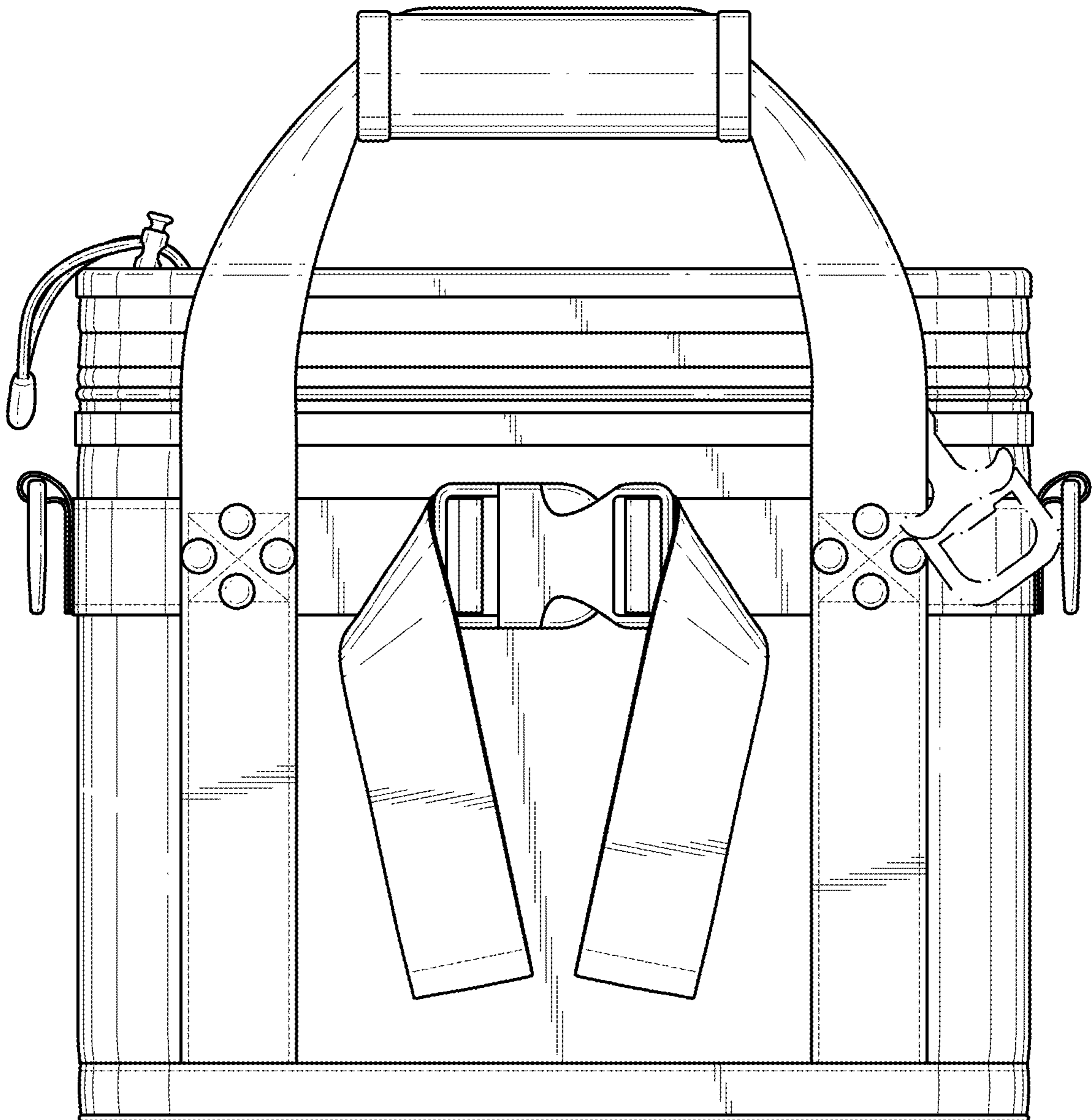
*FIG. 2*



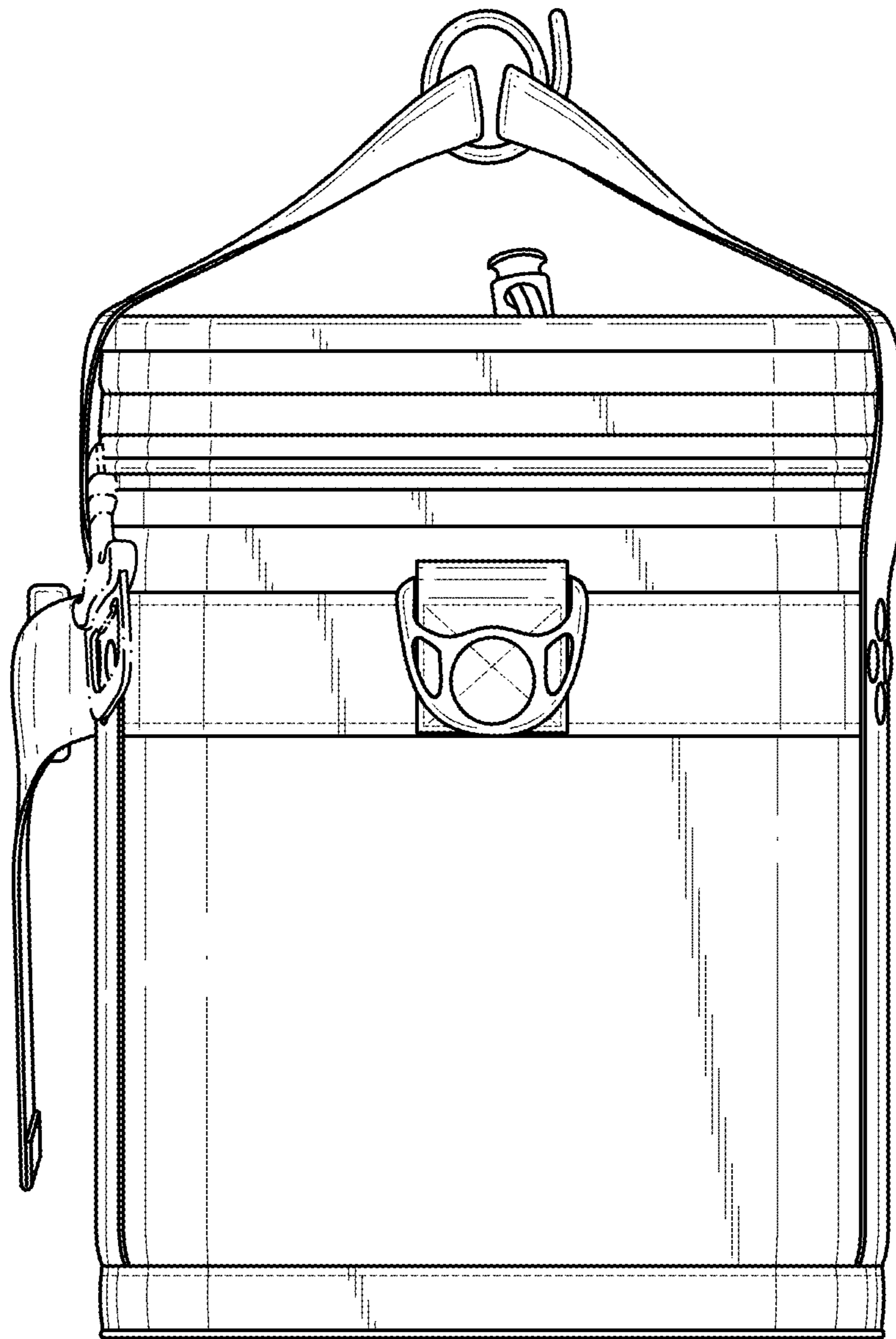
*FIG. 3*



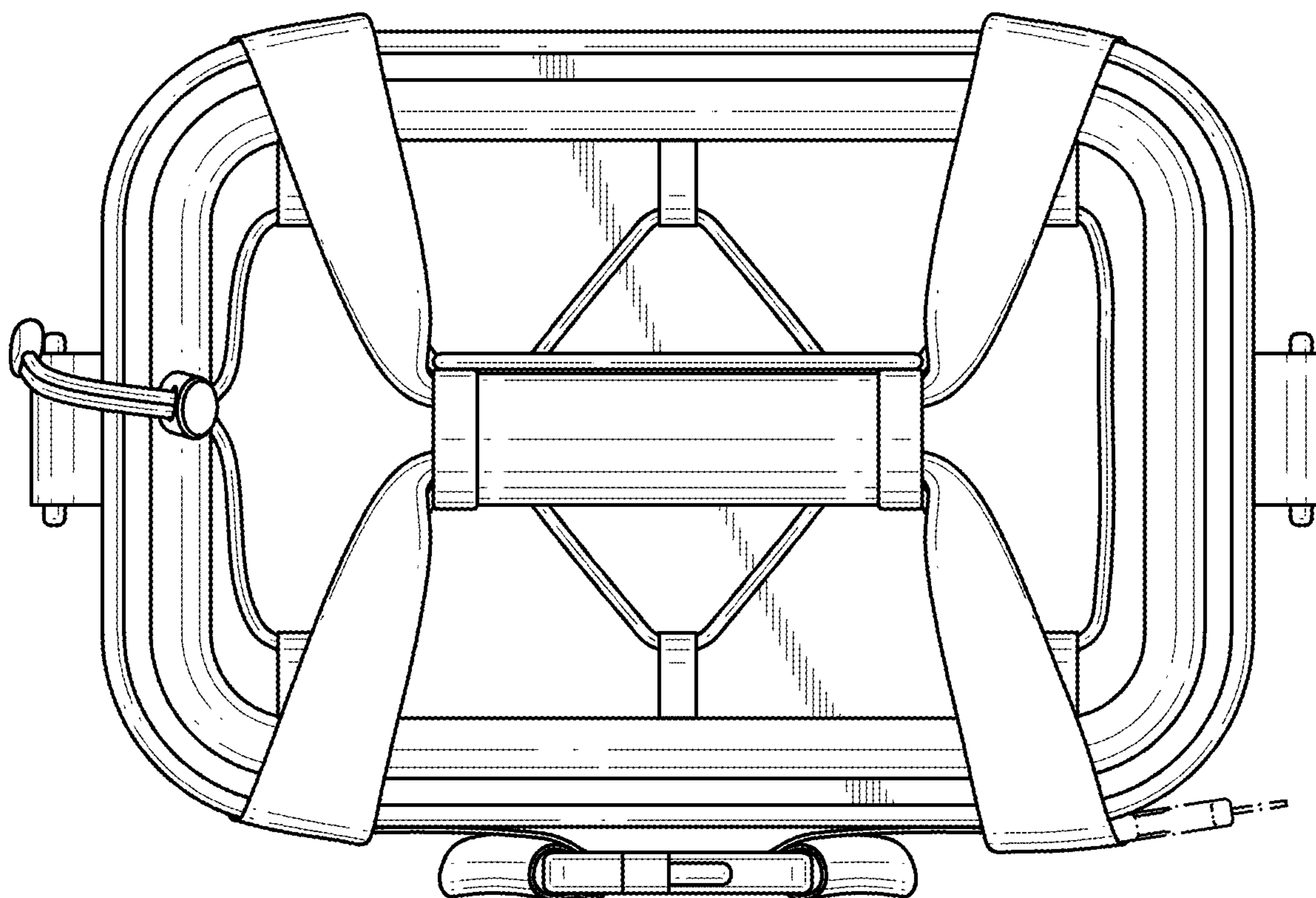
**FIG. 4**



*FIG. 5*



*FIG. 6*





*FIG. 7*

