

US00D894690S

(12) **United States Design Patent** (10) **Patent No.:** **US D894,690 S**
Gee, II (45) **Date of Patent:** **** Sep. 1, 2020**

(54) **BOWL**
(71) Applicant: **Spectrum Diversified Designs, LLC**,
Streetsboro, OH (US)
(72) Inventor: **Jack W. Gee, II**, Willoughby, OH (US)
(73) Assignee: **SPECTRUM DIVERSIFIED**
DESIGNS, LLC, Streetsboro, OH (US)

D787,891 S * 5/2017 Goodman D7/601
D787,892 S * 5/2017 Goodman D7/601
D788,528 S * 6/2017 Goodman D7/500
D788,541 S * 6/2017 Goodman D7/601
D794,395 S * 8/2017 Goodman D7/601
D818,322 S * 5/2018 Goodman D7/601
D818,777 S * 5/2018 Goodman D7/601
D859,933 S * 9/2019 Tuang D7/601

(**) Term: **15 Years**
(21) Appl. No.: **29/688,936**
(22) Filed: **Apr. 25, 2019**
(51) **LOC (12) Cl.** **07-07**
(52) **U.S. Cl.**
USPC **D7/601**
(58) **Field of Classification Search**
USPC D7/500, 584, 602, 600.4, 601, 605, 607,
D7/608, 619.1, 620, 622, 624.1, 624.2,
D7/624.3, 701, 704; D3/306
CPC A47G 19/02; A47G 19/025; B65D 1/24;
B65D 1/36; A45C 11/20
See application file for complete search history.

OTHER PUBLICATIONS

Spectrum, Opus Fruit Tree, Publication date unknown, [site visited Apr. 22, 2020], Available on the Internet URL <https://www.spectrumdiversified.com/products/opus-fruit-tree> (Year: 2020).
Contempo Ellipse Fruit Tree, Amazon.com website page, <https://www.spectrumdiversified.com/products/contempo-ellipse-fruit-tree>, dated Apr. 5, 2019, 1 page.

* cited by examiner

Primary Examiner — Karen S Acker
Assistant Examiner — Steven B Reinholdt, Jr.
(74) *Attorney, Agent, or Firm* — Tucker Ellis LLP

(57) **CLAIM**

The ornamental design for a bowl, as shown and described.

(56) **References Cited**

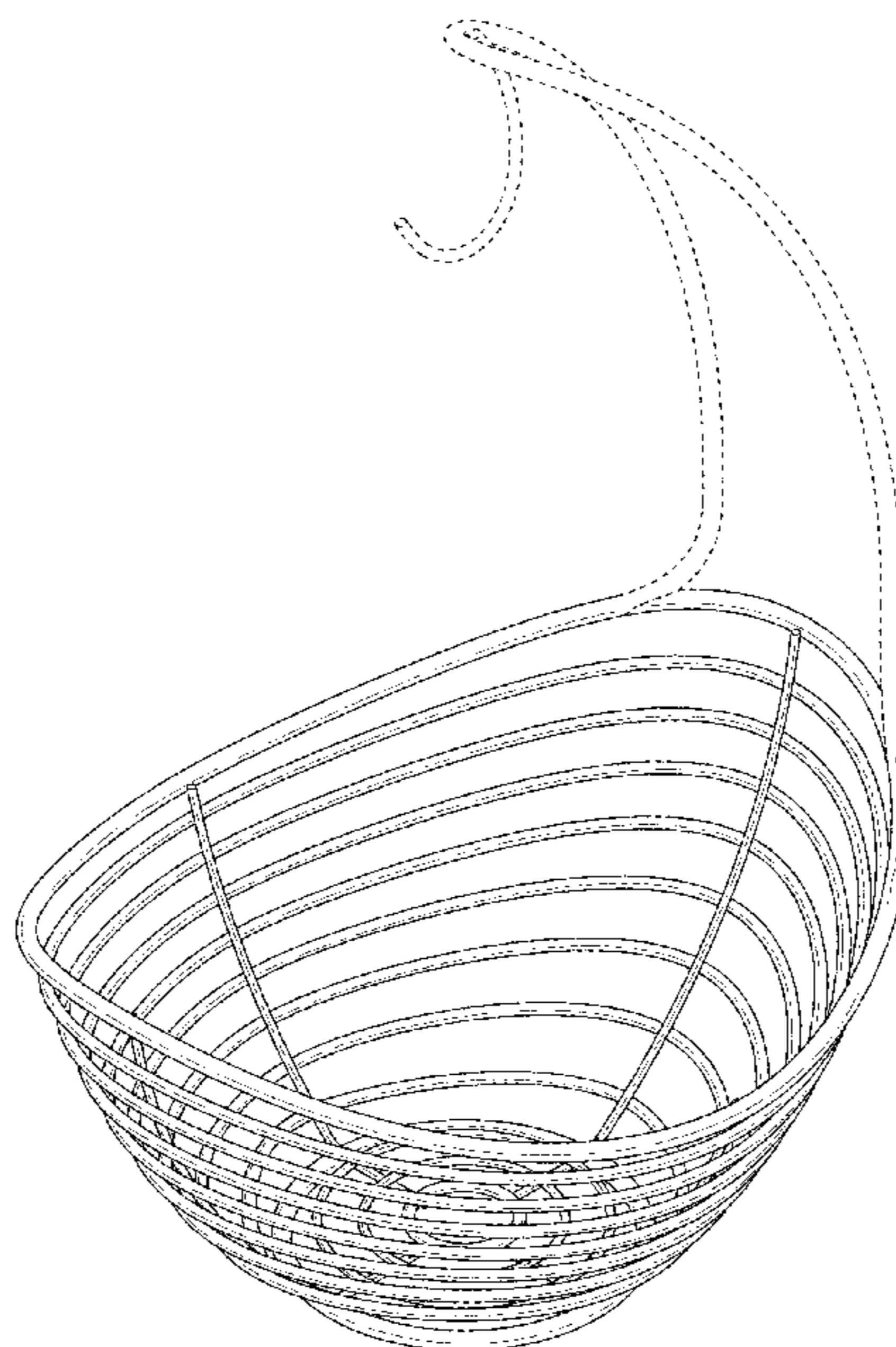
U.S. PATENT DOCUMENTS

4,250,664 A * 2/1981 Remke A01G 23/04
47/76
D616,252 S * 5/2010 Goodman D7/601
D622,107 S * 8/2010 Goodman D7/601
D671,371 S * 11/2012 Goodman D7/601
D697,374 S * 1/2014 Goodman D7/601
D698,205 S * 1/2014 Goodman D7/601
D774,835 S * 12/2016 Goodman D7/601
D776,984 S * 1/2017 Goodman D7/601
D784,087 S * 4/2017 Goodman D7/601
D784,088 S * 4/2017 Goodman D7/601
D784,771 S * 4/2017 Goodman D23/261

DESCRIPTION

FIG. 1 is a perspective view of a bowl showing my new design;
FIG. 2 is a front view thereof;
FIG. 3 is a rear view thereof;
FIG. 4 is a right side view thereof;
FIG. 5 is a left side view thereof;
FIG. 6 is a top view thereof; and,
FIG. 7 is a bottom view thereof.
The broken lines depict portions of the bowl that form no part of the claimed design.

1 Claim, 5 Drawing Sheets



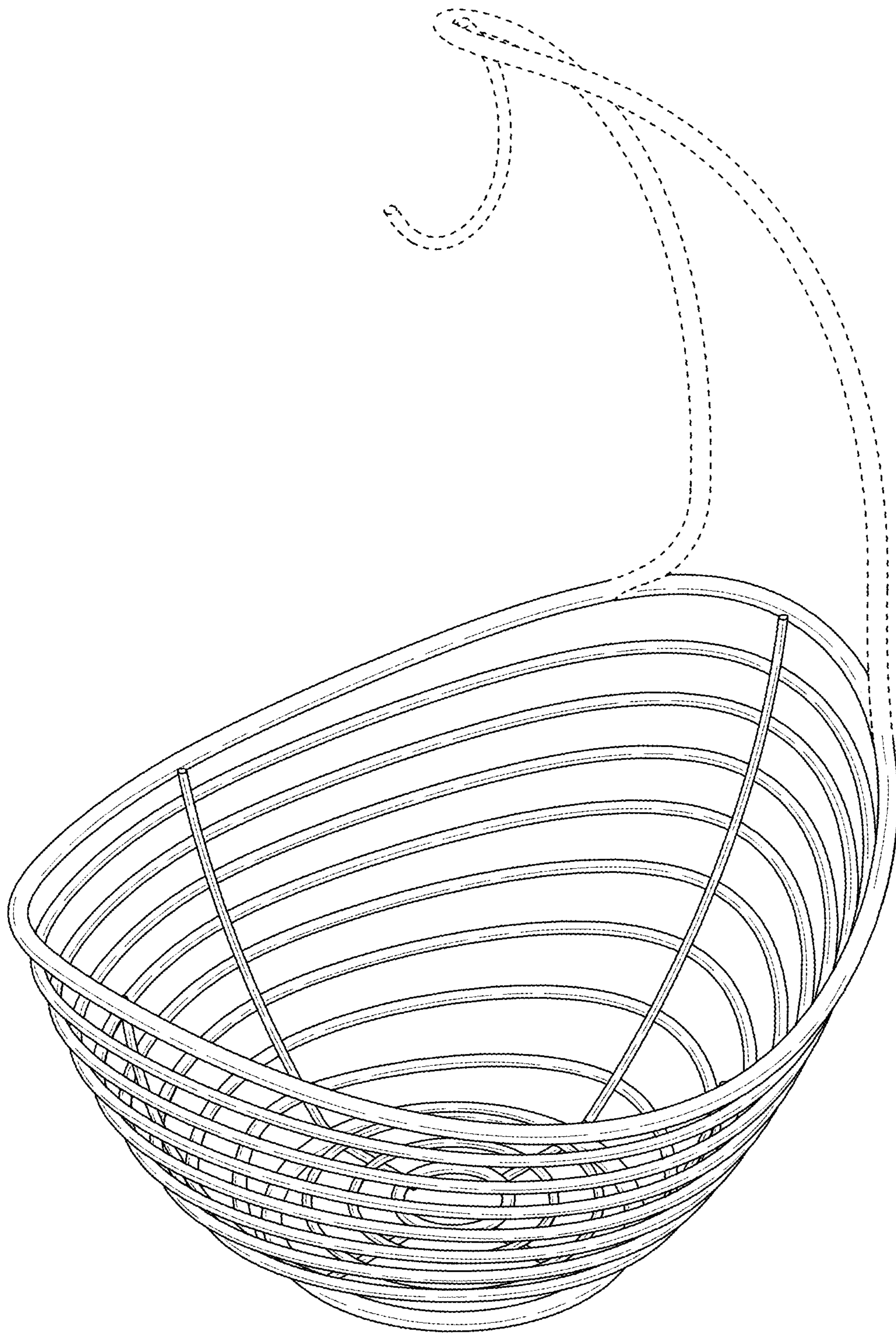


FIG. 1

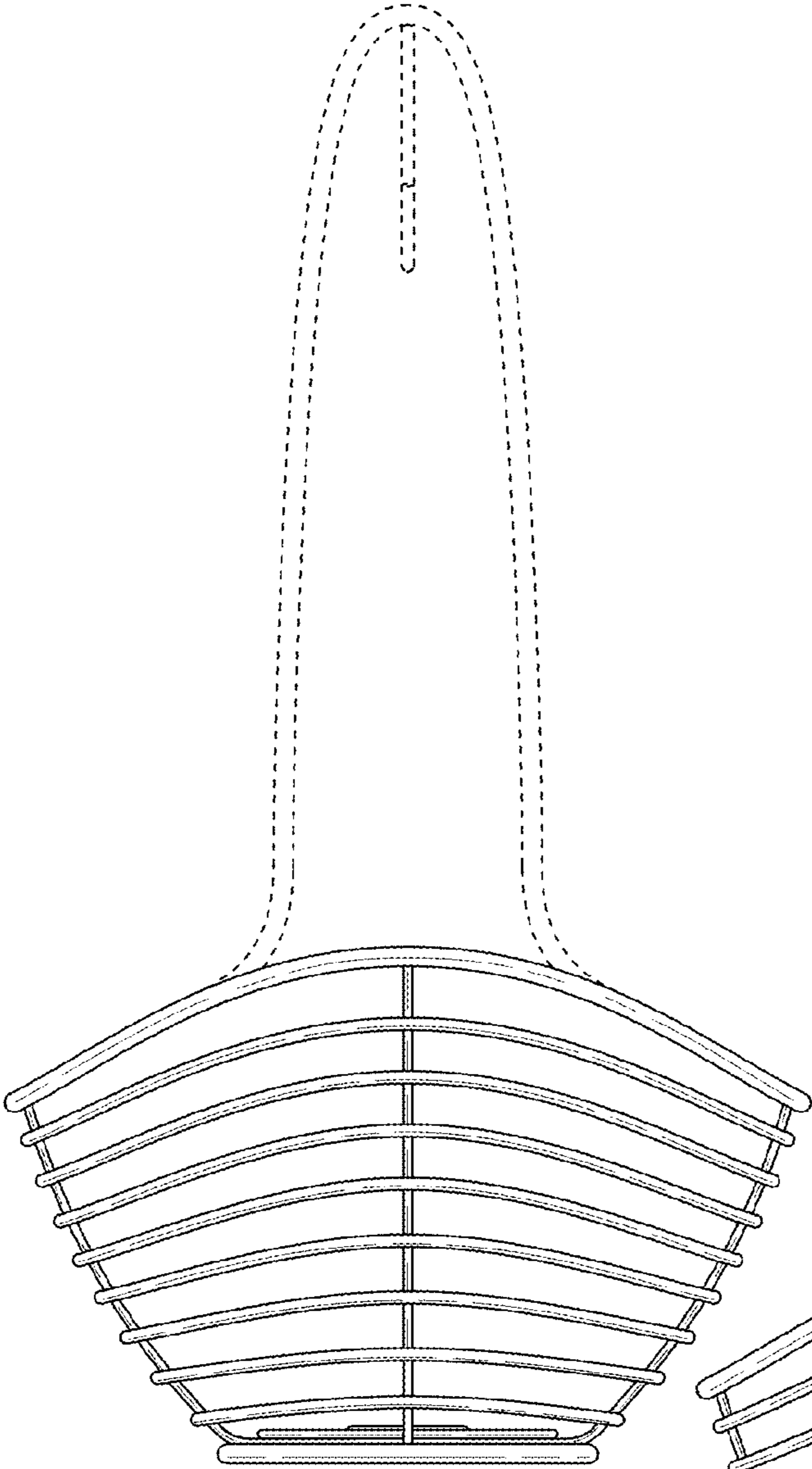


FIG. 2

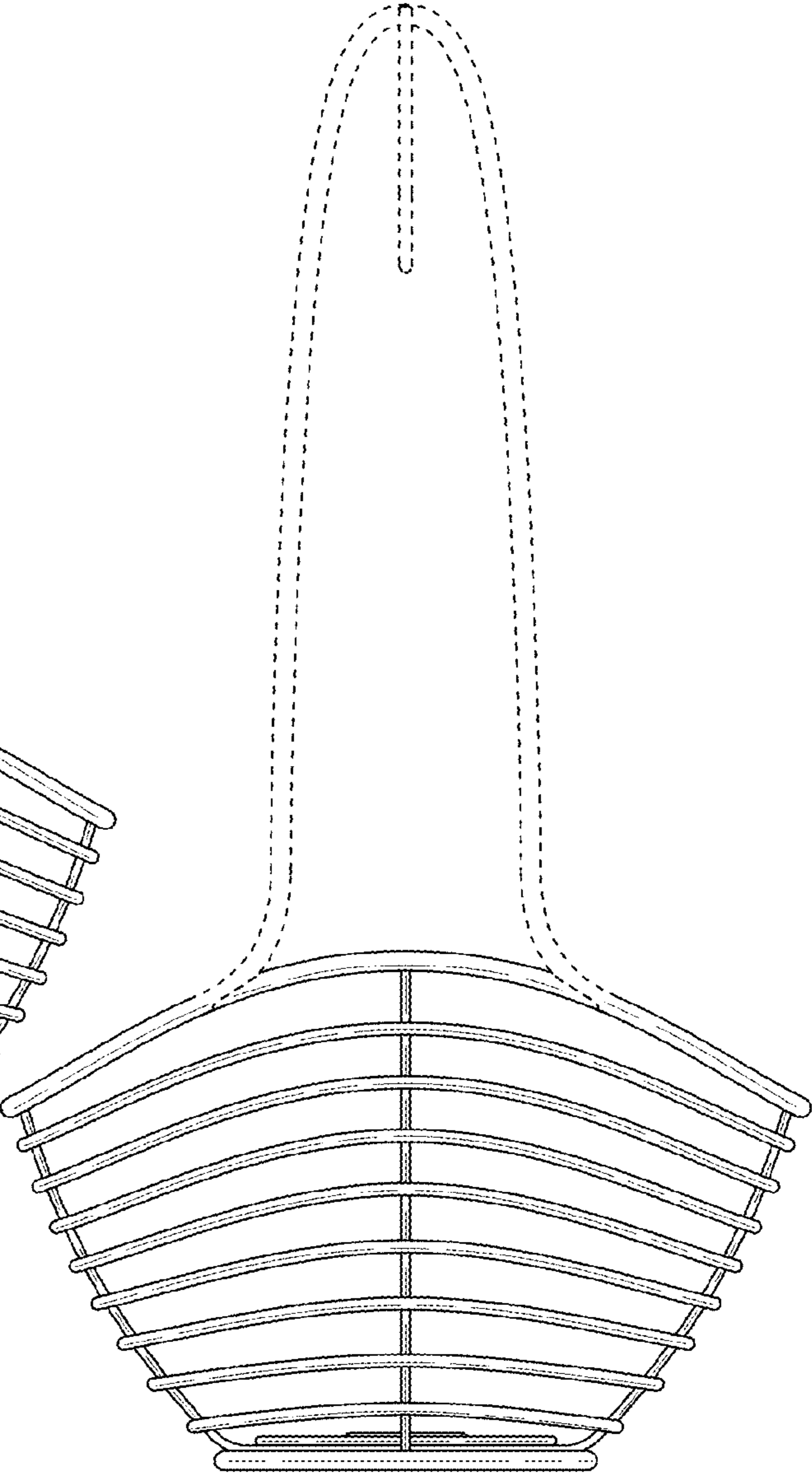


FIG. 3

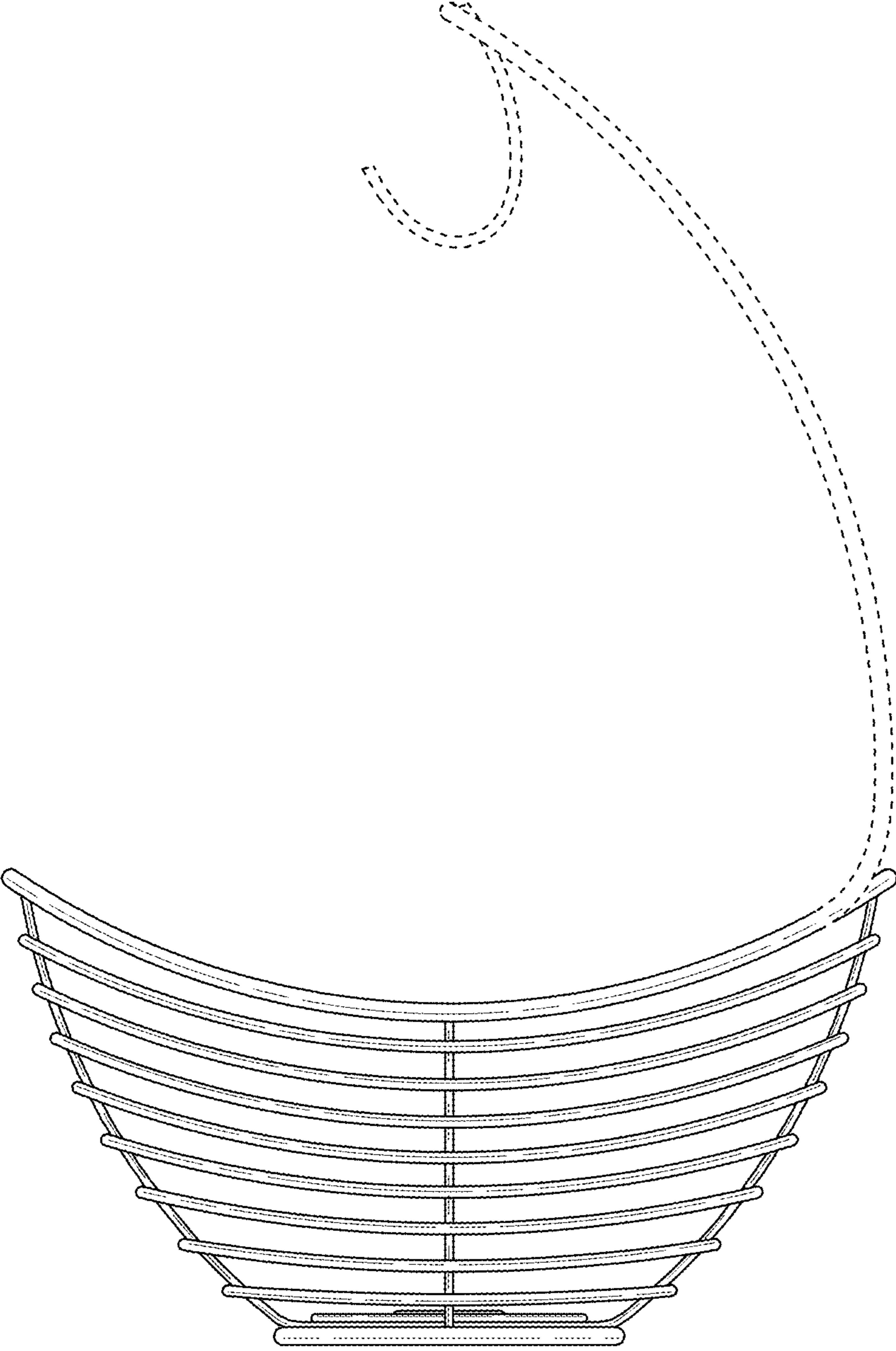


FIG. 4

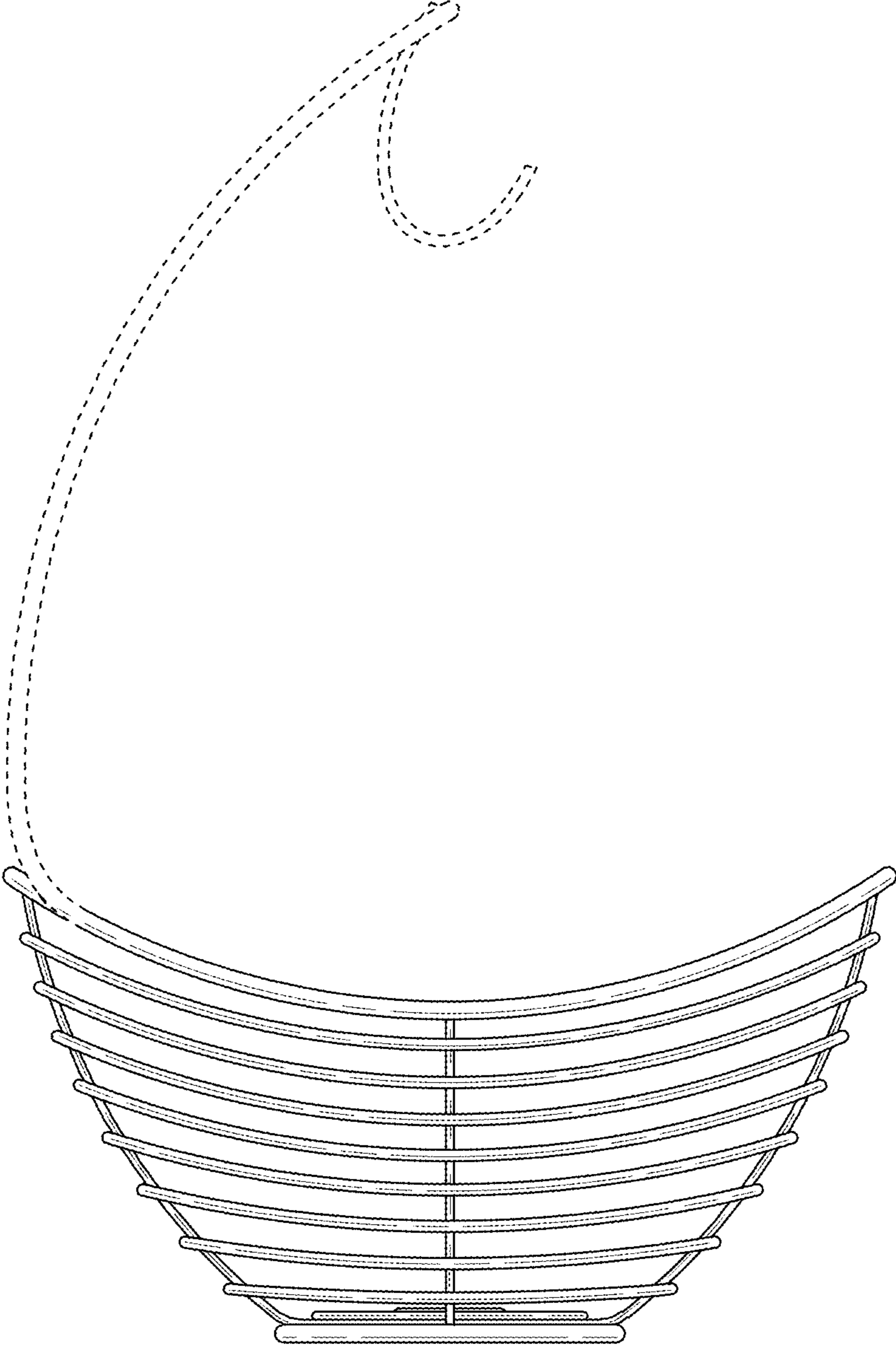


FIG. 5

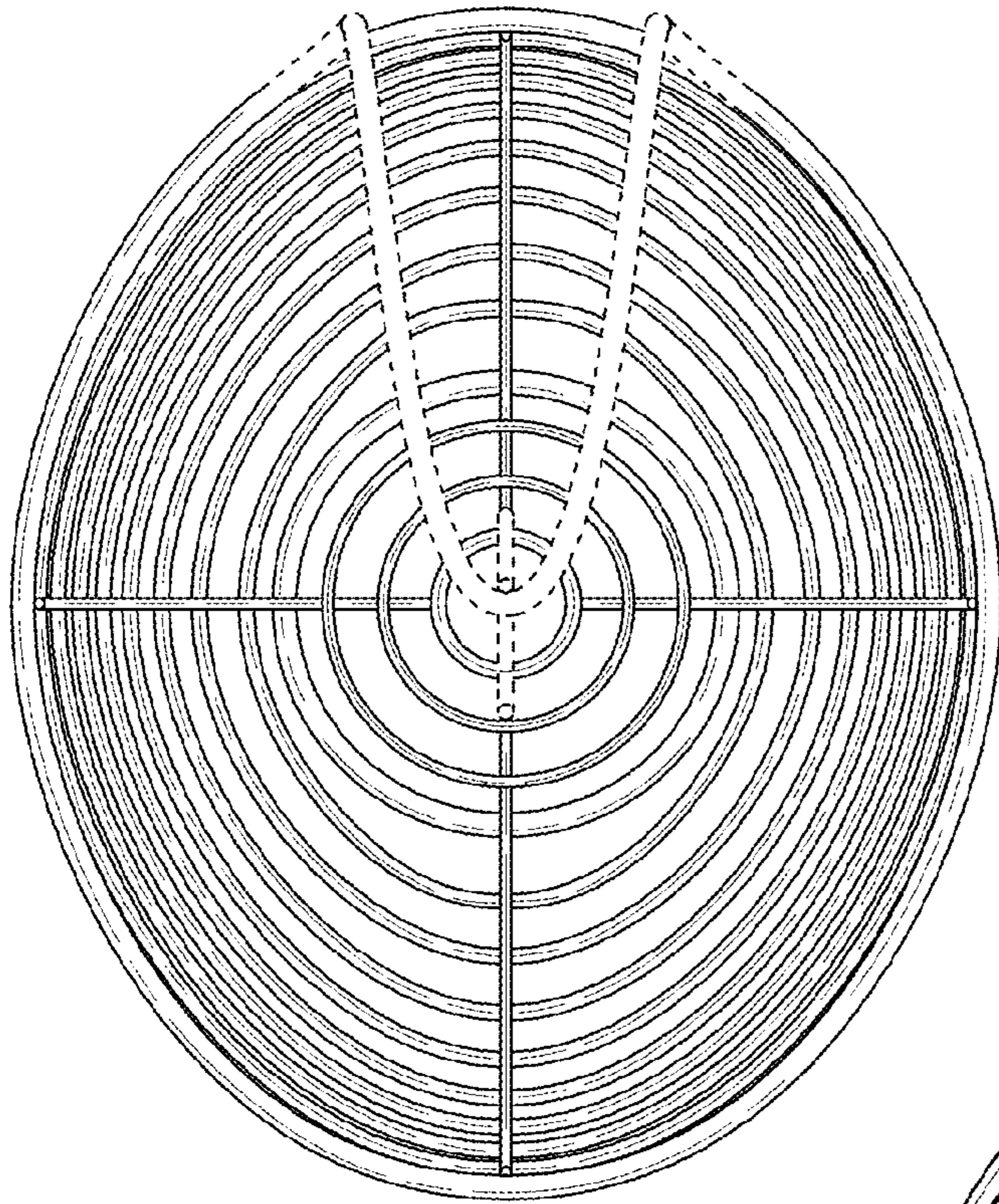


FIG. 6

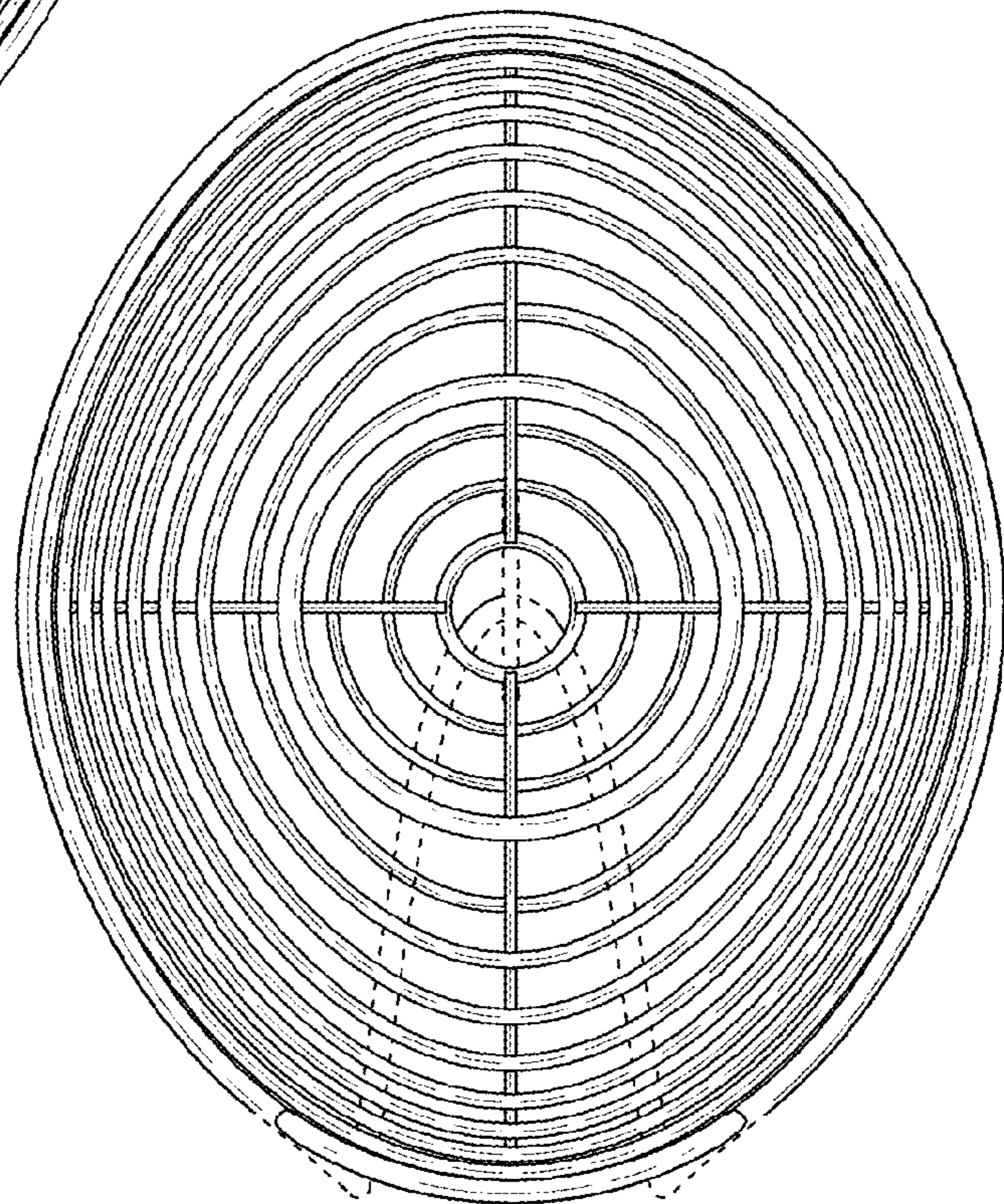


FIG. 7