



US00D894688S

(12) **United States Design Patent** (10) **Patent No.:** **US D894,688 S**
Floco (45) **Date of Patent:** **** *Sep. 1, 2020**

(54) **CUPHOLDER TRAY**
(71) Applicant: **Pierpoint, Inc.**, Escondido, CA (US)
(72) Inventor: **Ried Floco**, San Diego, CA (US)
(73) Assignee: **PIERPOINT, INC.**, Escondido, CA (US)

3,257,024 A 6/1966 Semanchik
D206,390 S * 12/1966 Jaskulek et al. D7/552.2
D206,414 S * 12/1966 Sundberg D19/103
3,401,858 A 9/1968 White et al.
3,491,893 A 1/1970 Morris
(Continued)

(*) Notice: This patent is subject to a terminal disclaimer.

JP 2010202262 A 9/2010
WO 2019125452 6/2019

(**) Term: **15 Years**

FOREIGN PATENT DOCUMENTS

(21) Appl. No.: **29/663,625**

(22) Filed: **Sep. 17, 2018**

(51) **LOC (12) Cl.** **07-01**

(52) **U.S. Cl.**
USPC **D7/553.2**

(58) **Field of Classification Search**
USPC D7/396.4, 501, 505, 538, 540, 541-543,
D7/545-546, 549, 552.1, 553, 553.2,
D7/553.4, 553.6, 554.2; D9/424, 432,
D9/716, 719, 723-740, 744-745, 756,
D9/759-760; D30/130; D3/304, 313,
D3/315

CPC B65D 1/34; B65D 21/00; B65D 21/0204
See application file for complete search history.

OTHER PUBLICATIONS

“Travel Tray—Convenient Snack and Drink Travel Tray for Car Seats” Website [online], Travel Tray, Oct. 30, 2017 (retrieved on Feb. 6, 2018). Retrieved from the Internet: URL: <https://www.traveltray.us/>.

(Continued)

Primary Examiner — Kelley A Donnelly
(74) *Attorney, Agent, or Firm* — Eleanor Musick; Musick Davison LLP

(57) **CLAIM**

The ornamental design of a cupholder tray, as shown.

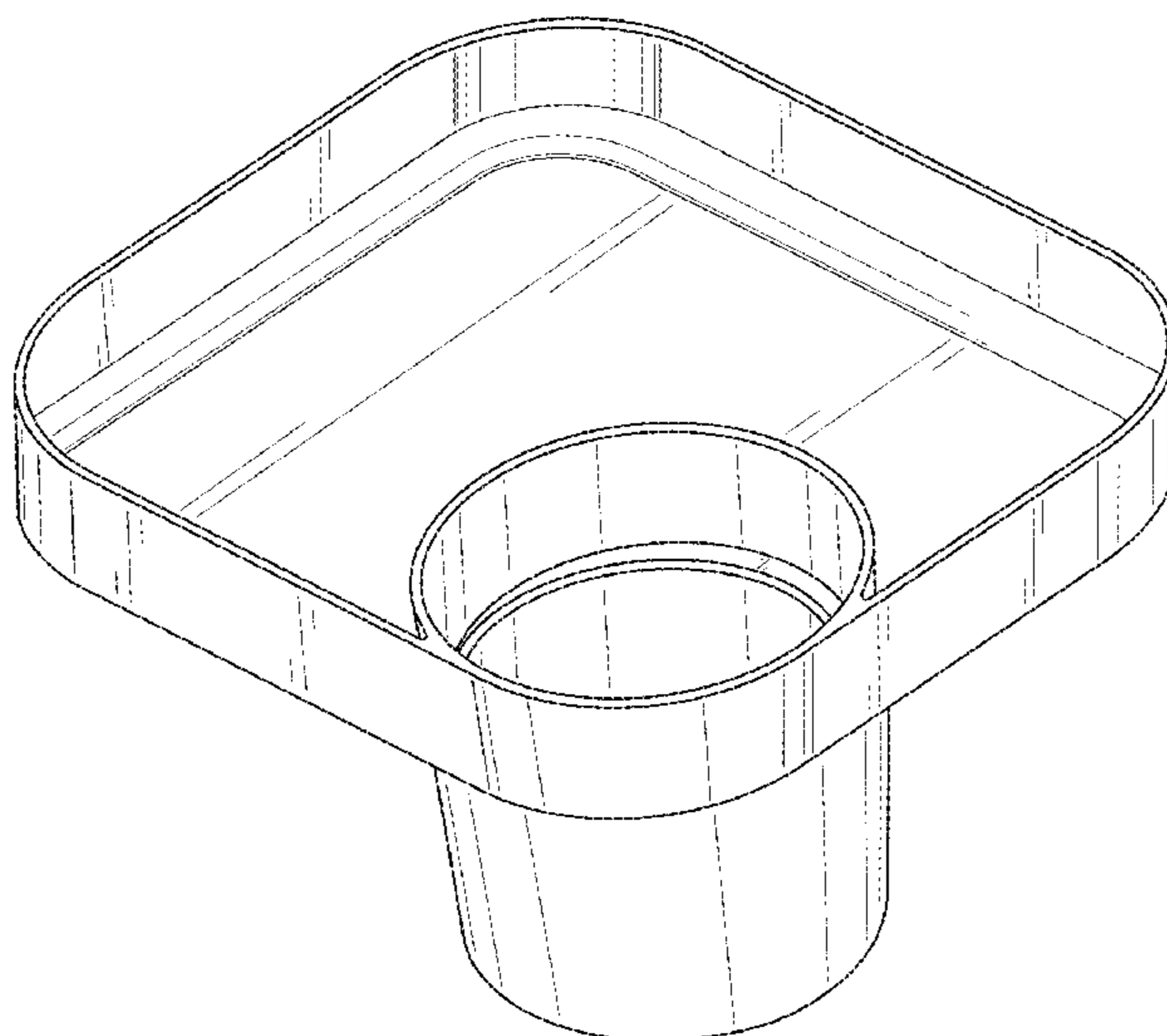
DESCRIPTION

FIG. 1 is a side perspective view of the cupholder tray showing my new design;
FIG. 2 is a top plan view thereof;
FIG. 3 is a bottom plan view thereof;
FIG. 4 is a right side elevational view of the cupholder tray as shown in FIG. 3;
FIG. 5 is a left side elevational view of the cupholder tray as shown in FIG. 3;
FIG. 6 is a left side elevational view of the cupholder tray as shown in FIG. 1; and,
FIG. 7 is a right side elevational view of the cupholder tray as shown in FIG. 1.

(56) **References Cited**
U.S. PATENT DOCUMENTS

1,544,972 A 7/1925 Gebelein
D87,682 S 8/1932 Pouter
1,872,491 A 8/1932 Noetzel
2,063,289 A 12/1936 Alusas
D105,687 S 8/1937 Bode
2,107,023 A 2/1938 Bertsch
2,584,557 A 2/1952 Cuthbertson
2,640,595 A 6/1953 Byford
2,799,147 A 7/1957 Crawford
3,079,037 A 2/1963 Schechter
3,250,422 A 5/1966 Parish

1 Claim, 6 Drawing Sheets



(56)

References Cited

U.S. PATENT DOCUMENTS

3,498,470	A *	3/1970	Thomas	A47G 23/06 211/74	6,113,049	A	9/2000	Miljanich	
3,526,335	A	9/1970	Swett et al.			6,152,302	A	11/2000	Miller et al.	
3,642,239	A	2/1972	Zeiler			D439,114	S *	3/2001	Dini D7/553.1
D227,851	S *	7/1973	Nowland et al.	D7/552.1	D442,830	S	5/2001	Raucci	
3,800,939	A	4/1974	Cornelius			6,264,026	B1	7/2001	Bradley	
3,808,084	A	4/1974	Doty			6,302,326	B1	10/2001	Symonds et al.	
3,877,603	A	4/1975	Holz			D453,891	S	2/2002	Sussman	
3,949,876	A	4/1976	Bridges et al.			6,360,885	B1	3/2002	Krueger et al.	
4,040,549	A	8/1977	Sadler			D458,084	S	6/2002	Hudson	
4,071,163	A	1/1978	Martin			6,401,927	B1	6/2002	Sorensen et al.	
D248,078	S *	6/1978	Warnekros	141/98	6,425,480	B1	7/2002	Krueger et al.	
4,202,465	A	5/1980	McLaren			6,511,030	B1	1/2003	Kelley	
4,208,006	A	6/1980	Bixler et al.			6,533,233	B2	3/2003	Thomas	
4,221,320	A	9/1980	Faller			6,651,836	B1	11/2003	Hofheins et al.	
4,279,354	A	7/1981	Conti			6,682,034	B1	1/2004	Vial	
4,286,713	A	9/1981	Marchais			6,732,990	B2 *	5/2004	Hudson B60N 3/002 206/503
4,334,623	A	6/1982	Geary			D506,357	S	6/2005	Price	
D270,324	S	8/1983	French			D508,373	S	8/2005	Corrieri	
4,516,685	A	5/1985	French			D509,104	S	9/2005	Price	
4,524,701	A	6/1985	Chappell			D512,157	S *	11/2005	Wu D10/46
D284,824	S *	7/1986	Marshall	D6/406.3	6,964,443	B1	11/2005	Newton	
D291,957	S	9/1987	Stevens			6,971,539	B1	12/2005	Abbe	
D298,296	S	11/1988	Washburn et al.			D524,108	S	7/2006	Price	
4,798,413	A	1/1989	Capelli			D531,054	S *	10/2006	Sagel D9/737
4,966,297	A	10/1990	Doty			7,114,630	B2	10/2006	Dege et al.	
4,969,618	A	11/1990	Thompson			D534,816	S	1/2007	Newton	
D322,197	S	12/1991	Sherlin			7,243,991	B2 *	7/2007	Ojeda B60N 3/002 297/188.14
5,114,108	A	5/1992	Olschansky			D560,973	S	2/2008	Parlowski	
D326,588	S	6/1992	Meisel			7,334,908	B1	2/2008	Figuroa	
5,118,063	A	6/1992	Young			D563,726	S	3/2008	Fraser	
5,135,195	A	8/1992	Dane			D571,228	S	6/2008	Maslowski	
5,171,077	A	12/1992	Jondahl et al.			D575,600	S	8/2008	Mayer	
D332,552	S *	1/1993	Lynch	D7/505	D576,455	S	9/2008	Siddle	
D338,374	S *	8/1993	Jacobson	D7/507	D581,740	S	12/2008	Ingle	
5,259,528	A *	11/1993	Pace	B65D 1/36 206/502	D592,813	S	5/2009	Newsome et al.	
D342,421	S	12/1993	DuBow			D594,280	S	6/2009	Wolhender	
D345,084	S *	3/1994	Williams	D7/553.8	D594,281	S *	6/2009	Luft D7/549
5,330,145	A	7/1994	Evans et al.			D594,705	S	6/2009	McComas	
D349,212	S *	8/1994	Lynch	D7/505	D595,093	S	6/2009	McComas	
5,335,787	A	8/1994	Finchum et al.			D595,094	S	6/2009	Vernes et al.	
D353,289	S	12/1994	Ayotte et al.			7,562,785	B2	7/2009	Meissen	
D353,742	S *	12/1994	Lewis	D7/549	D604,993	S	12/2009	Vernes et al.	
5,419,451	A	5/1995	Bitel, Jr.			D606,810	S	12/2009	Clark	
5,421,459	A	6/1995	Mazzotti			D614,926	S	5/2010	Cox	
D359,885	S	7/1995	Yanuzzi			D620,761	S	8/2010	Boudreau	
D366,187	S *	1/1996	Van Den Kieboom	D7/553.1	D623,018	S *	9/2010	Reyhan D7/550.1
D368,627	S *	4/1996	McSpadden	D7/549	D623,019	S	9/2010	Wildman	
5,598,944	A	2/1997	Aragona			D623,020	S	9/2010	Gordon	
5,601,268	A	2/1997	Dunchock			D623,478	S	9/2010	Hayashi	
D378,334	S	3/1997	Legere			D625,958	S	10/2010	Deming	
5,651,523	A	7/1997	Bridges			D626,788	S *	11/2010	Clark D7/545
D382,727	S	8/1997	Kresge et al.			7,871,050	B2	1/2011	Epstein	
5,702,041	A	12/1997	Sun et al.			8,015,943	B1	9/2011	Samuelson et al.	
5,711,595	A	1/1998	Gerbe			D650,237	S	12/2011	McComas	
5,713,628	A	2/1998	Lucatuorto			D651,028	S	12/2011	Grimaldi	
5,720,516	A *	2/1998	Young	A47C 7/68 297/188.14	D652,323	S	1/2012	Clark	
5,732,849	A *	3/1998	Brooks	A47B 23/002 220/17.1	D655,136	S	3/2012	Goodman	
5,769,264	A	6/1998	Lipkowitz			8,136,667	B2	3/2012	Raynor	
5,772,050	A	6/1998	Shih			8,146,737	B2	4/2012	D'Agostino	
D398,480	S	9/1998	Chica			8,186,524	B2	5/2012	Siahpush	
D404,218	S	1/1999	Sussman			8,256,639	B1	9/2012	Samuelson et al.	
5,865,124	A	2/1999	Wroe			8,272,512	B2	9/2012	Joseph	
5,897,041	A	4/1999	Ney et al.			D686,459	S	7/2013	Maggio	
D410,820	S	6/1999	Lofrano			D686,460	S	7/2013	Maggio	
5,953,999	A	9/1999	Kanehl			8,474,641	B2	7/2013	Hays et al.	
5,954,195	A	9/1999	Krueger et al.			D705,438	S	5/2014	Wainwright et al.	
5,971,139	A	10/1999	Bradley			D708,062	S	7/2014	Navarro	
D415,930	S	11/1999	Schmidt			D712,204	S	9/2014	Hatcher et al.	
6,021,914	A	2/2000	Schmidt			D718,582	S *	12/2014	Parijogi D7/698
6,036,020	A	3/2000	Distler			D730,124	S	5/2015	Tollen et al.	
6,109,580	A	8/2000	Stern et al.			9,027,825	B2	5/2015	Baker et al.	
						D732,344	S	6/2015	Clark	
						9,108,766	B2	8/2015	Gosen et al.	
						D737,633	S	9/2015	Breton	
						9,145,233	B2	9/2015	Cerrato	
						D750,441	S	3/2016	Hartmann	
						D766,665	S	9/2016	Shames	

(56)

References Cited

U.S. PATENT DOCUMENTS

D770,854 S * 11/2016 Das D7/549
 D778,116 S 2/2017 Cao
 D795,016 S 8/2017 Crawford
 D801,120 S * 10/2017 Zeien D7/554.2
 D805,855 S 12/2017 Adams et al.
 D808,222 S 1/2018 Shames
 D819,408 S 6/2018 Floco
 D835,942 S * 12/2018 Koller D7/552.1
 D862,987 S * 10/2019 Bergin D7/553.4
 2001/0032791 A1 * 10/2001 Hudson A47G 23/02
 206/217
 2002/0056743 A1 5/2002 Barcat et al.
 2003/0108714 A1 6/2003 Razeti
 2003/0141424 A1 7/2003 Thomas
 2004/0238537 A1 12/2004 Ojeda
 2004/0262482 A1 * 12/2004 Lim A47G 19/06
 248/311.2
 2005/0017134 A1 1/2005 Hooper
 2005/0199667 A1 * 9/2005 Cappellino A47G 23/0225
 224/411
 2006/0049073 A1 3/2006 Shannon

2006/0249999 A1 * 11/2006 Bergin A47C 7/70
 297/188.18
 2007/0023433 A1 2/2007 Vahavihu
 2008/0264822 A1 10/2008 Faiola
 2009/0120832 A1 5/2009 Munden
 2012/0031806 A1 2/2012 Riley
 2012/0097574 A1 4/2012 Parsons
 2014/0103033 A1 4/2014 Beckman
 2014/0360410 A1 * 12/2014 Robinson A47G 23/06
 108/26
 2016/0075492 A1 3/2016 Brannock
 2016/0236837 A1 8/2016 Malcolm
 2016/0270542 A1 * 9/2016 Foster A47C 7/70
 2017/0245610 A1 8/2017 French
 2017/0311752 A1 11/2017 Roever et al.

OTHER PUBLICATIONS

PCT/US2017/067752 International Search Report and Written Opinion, dated Mar. 8, 2018, 7 pages.
 Luxcell Vehicle Car Tray—Amazon.com listing accessed May 8, 2017.

* cited by examiner

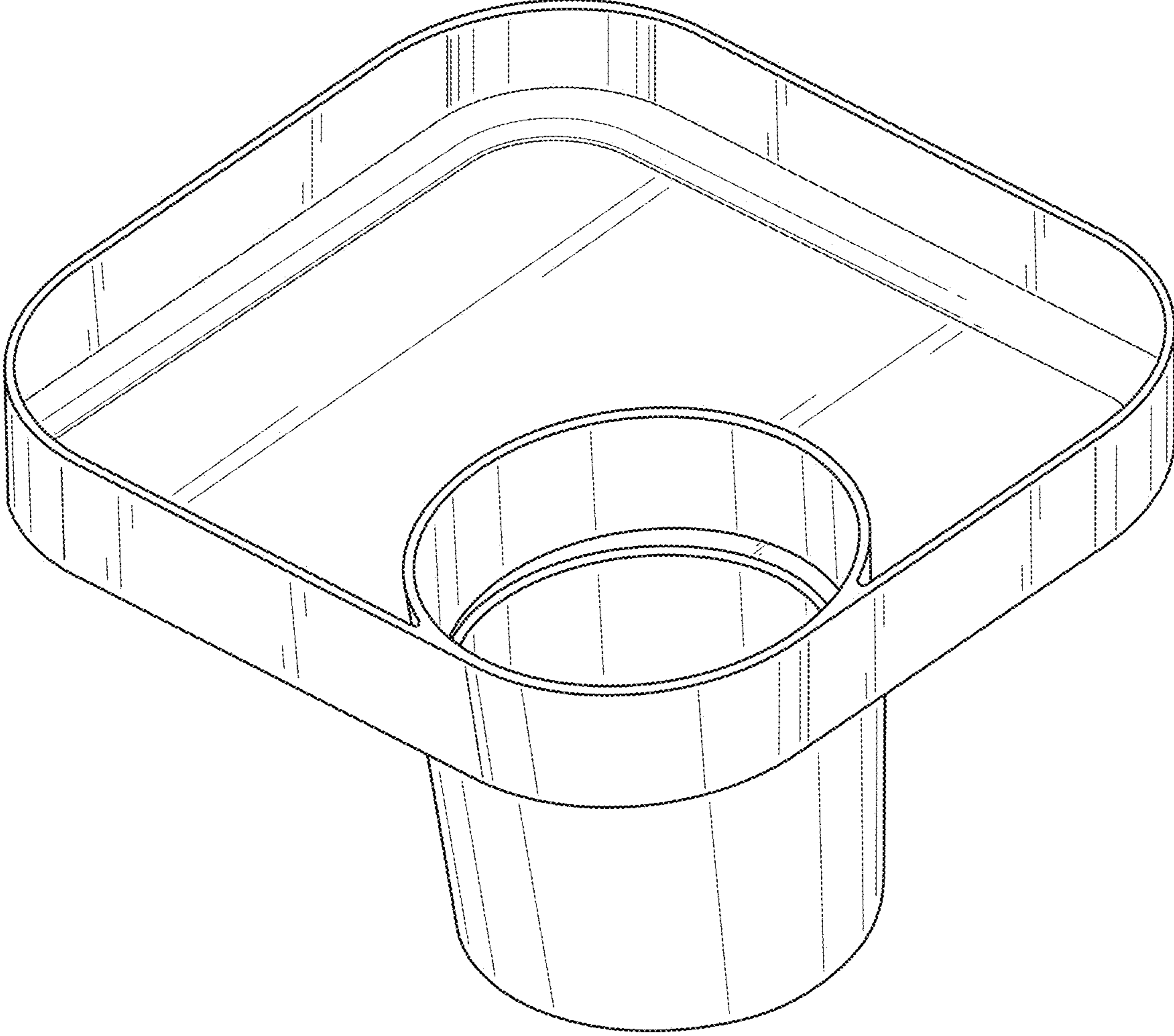


FIG. 1

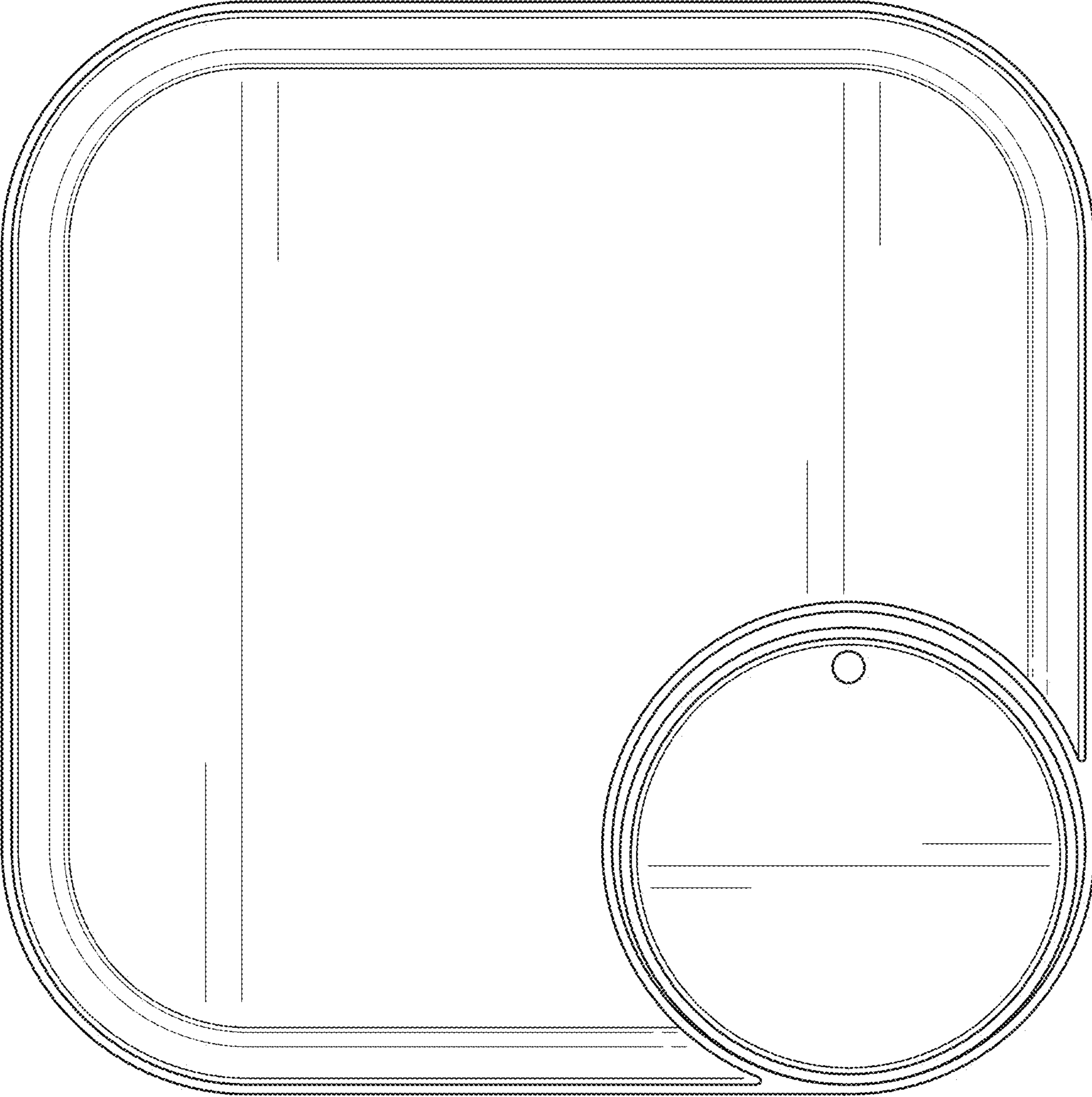


FIG. 2

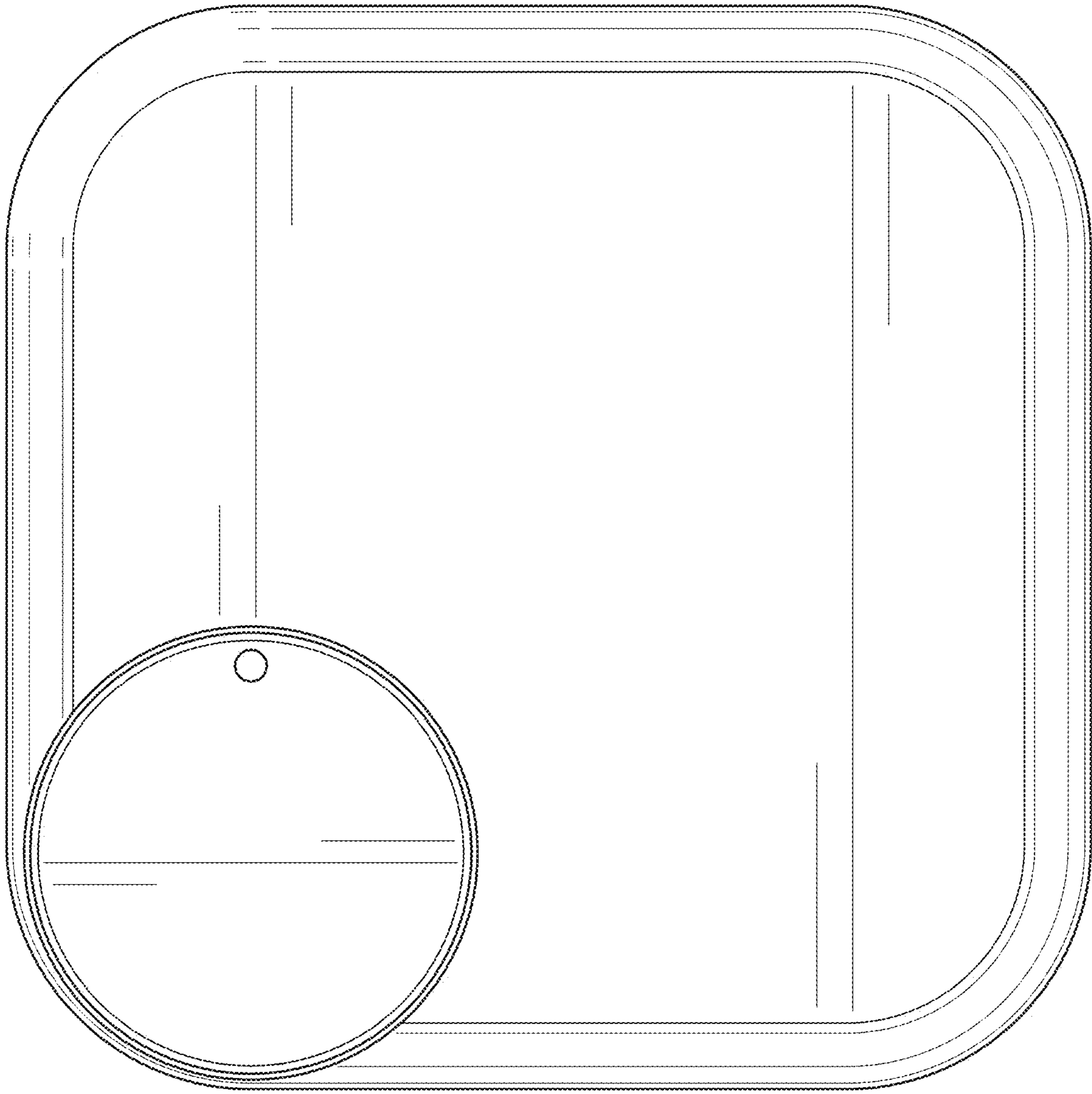


FIG. 3

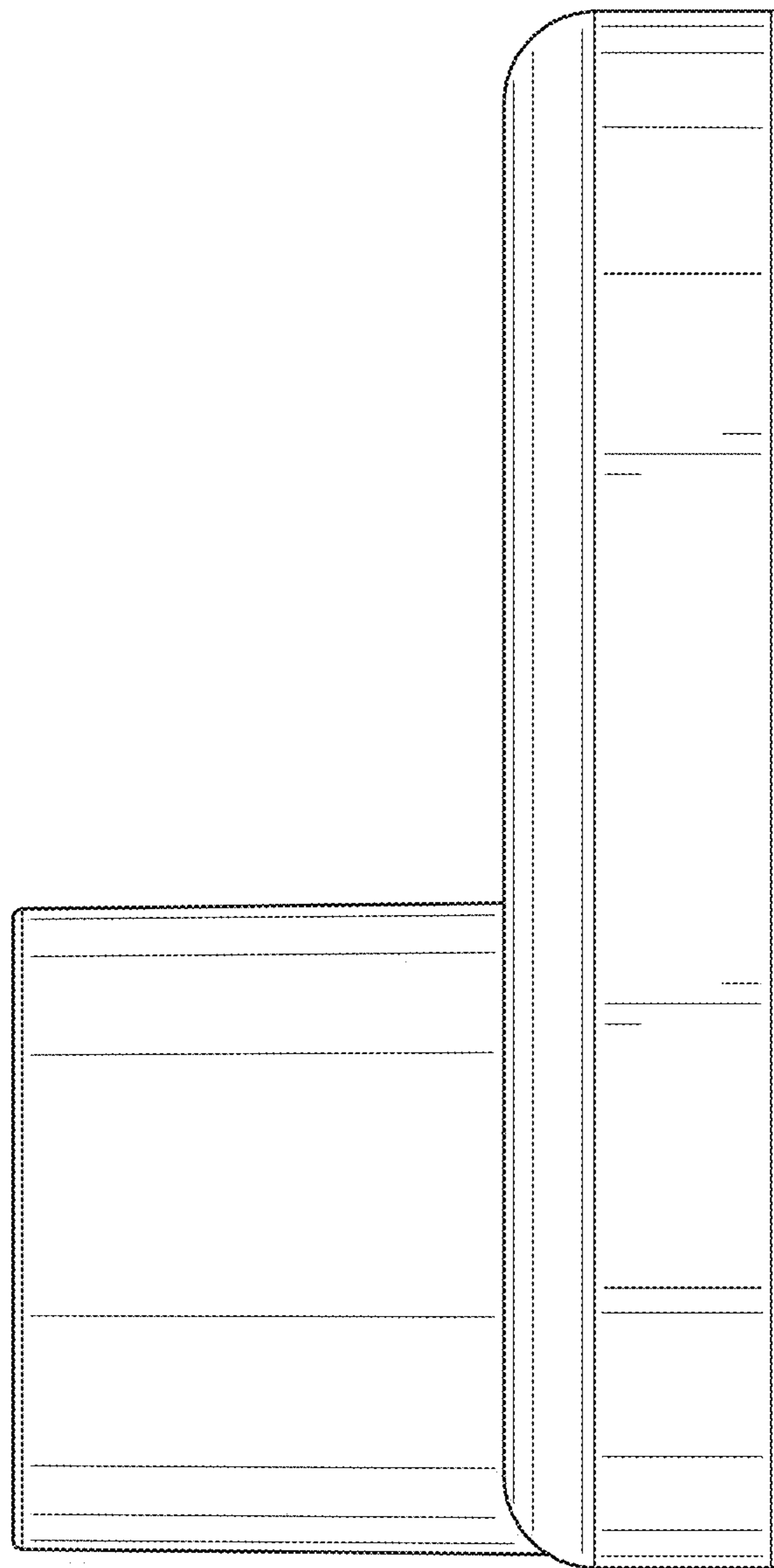


FIG. 4

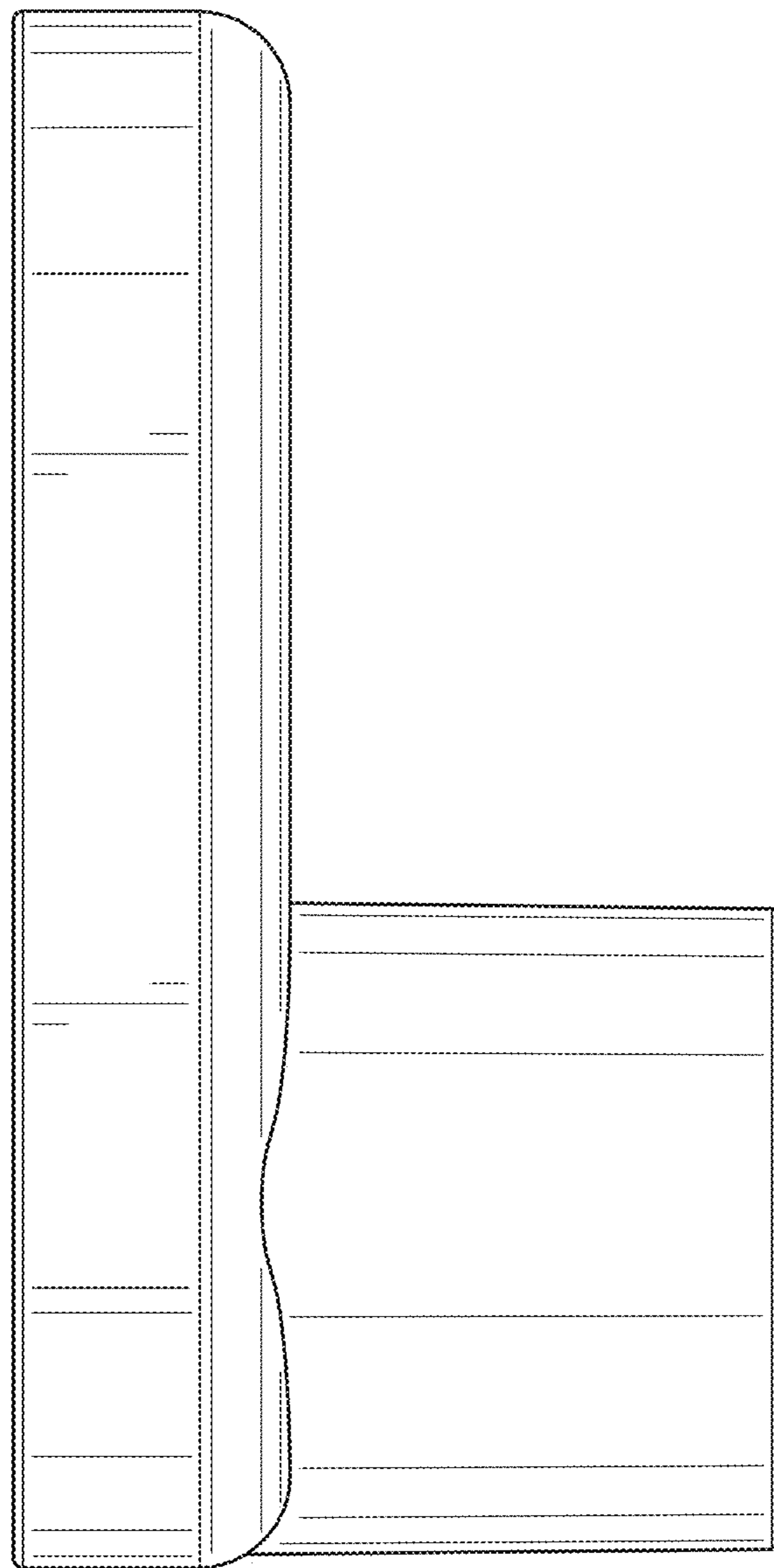


FIG. 5

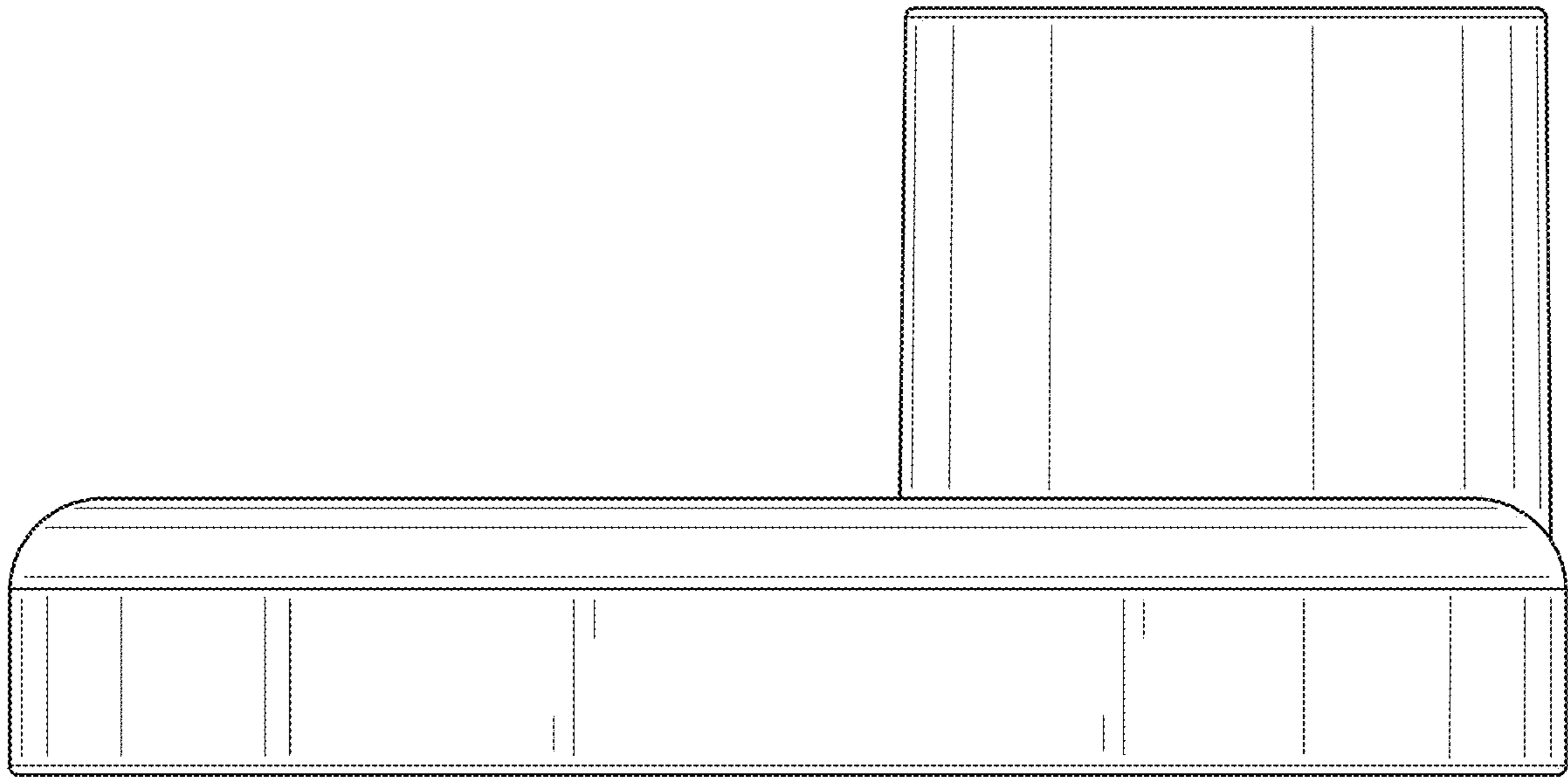


FIG. 6

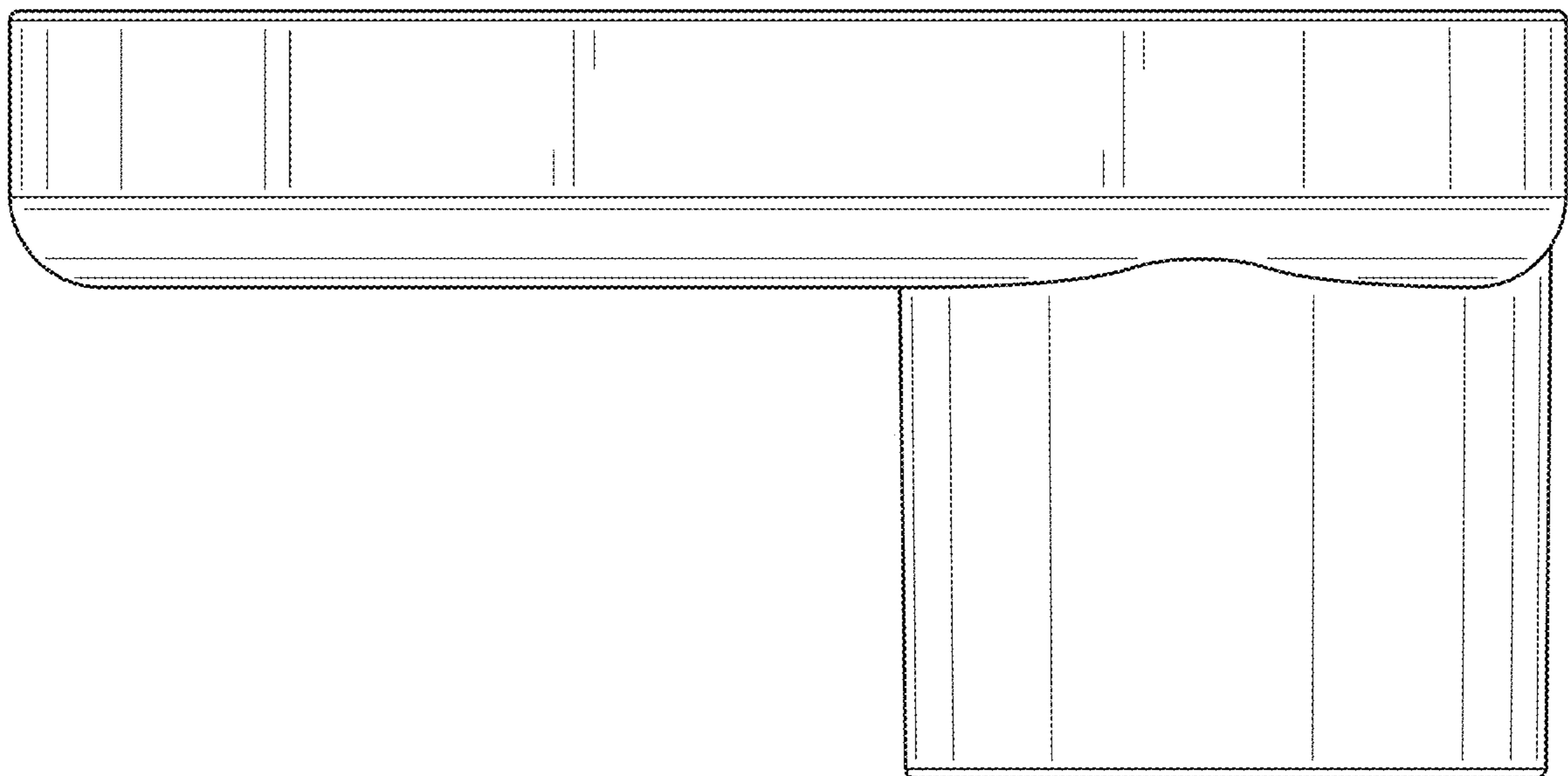


FIG. 7