

US00D894687S

(12) **United States Design Patent** (10) **Patent No.:** **US D894,687 S**  
**Dillon** (45) **Date of Patent:** **\*\* Sep. 1, 2020**

(54) **FLOATING SERVING TRAY**  
(71) Applicant: **Catherine Frances Dillon**, Capalaba (AU)  
(72) Inventor: **Catherine Frances Dillon**, Capalaba (AU)  
(\*\*) Term: **15 Years**  
(21) Appl. No.: **29/692,611**  
(22) Filed: **May 28, 2019**  
(51) **LOC (12) Cl.** ..... **07-01**  
(52) **U.S. Cl.**  
USPC ..... **D7/552.2; D3/304**  
(58) **Field of Classification Search**  
USPC ..... D3/201, 304, 305, 306, 312, 314–315, D3/318–319; D6/675, 675.5; D7/550.1, D7/552.1, 552.2, 554.3  
CPC ... B65D 1/00; B65D 1/34; B65D 1/38; A47G 23/06; A47G 23/0608  
See application file for complete search history.

D786,557 S \* 5/2017 Goodman ..... D3/306  
D816,998 S \* 5/2018 Greenwood ..... D3/312  
D823,599 S \* 7/2018 Goodman ..... D3/306  
D825,923 S \* 8/2018 Suomela ..... D3/304  
D840,151 S \* 2/2019 Mazor ..... D3/306  
D850,793 S \* 6/2019 Waldner ..... D3/304  
D865,364 S \* 11/2019 Brunner ..... D3/304  
D866,973 S \* 11/2019 Snell ..... D3/314  
D881,574 S \* 4/2020 Dittrich ..... D3/304

**OTHER PUBLICATIONS**

<http://www.dudeiwantthat.com/household/bar/balinese-floating-pool-bar-serving-tray.asp>.  
<https://www.ezhottubs.com/cgi-bin/shop.cgi?i=B07MWJRHRV>.\*

\* cited by examiner

*Primary Examiner* — Kelley A Donnelly  
(74) *Attorney, Agent, or Firm* — Eric Karich; Karich & Associates

(57) **CLAIM**

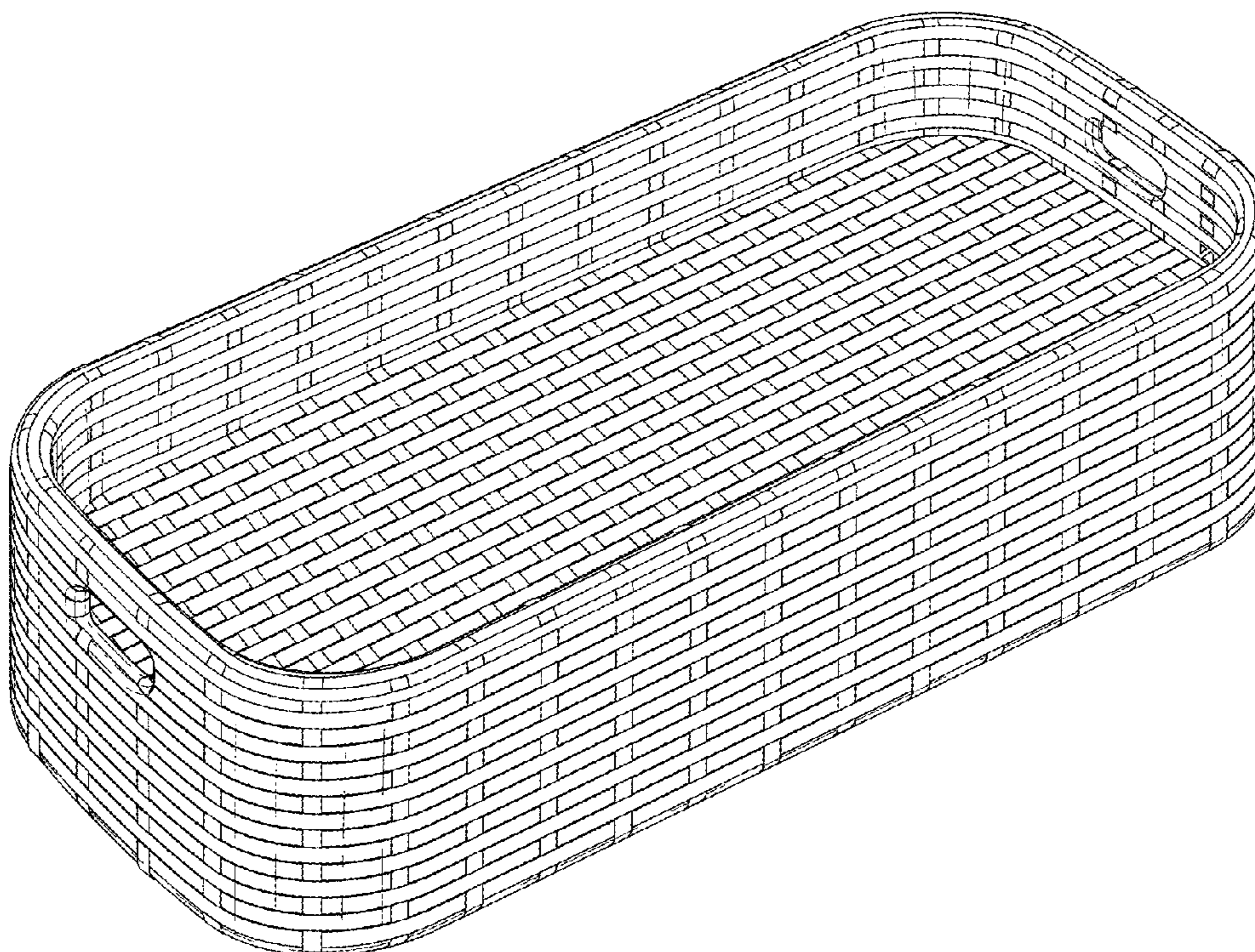
The ornamental design for a floating serving tray, as shown and described.

**DESCRIPTION**

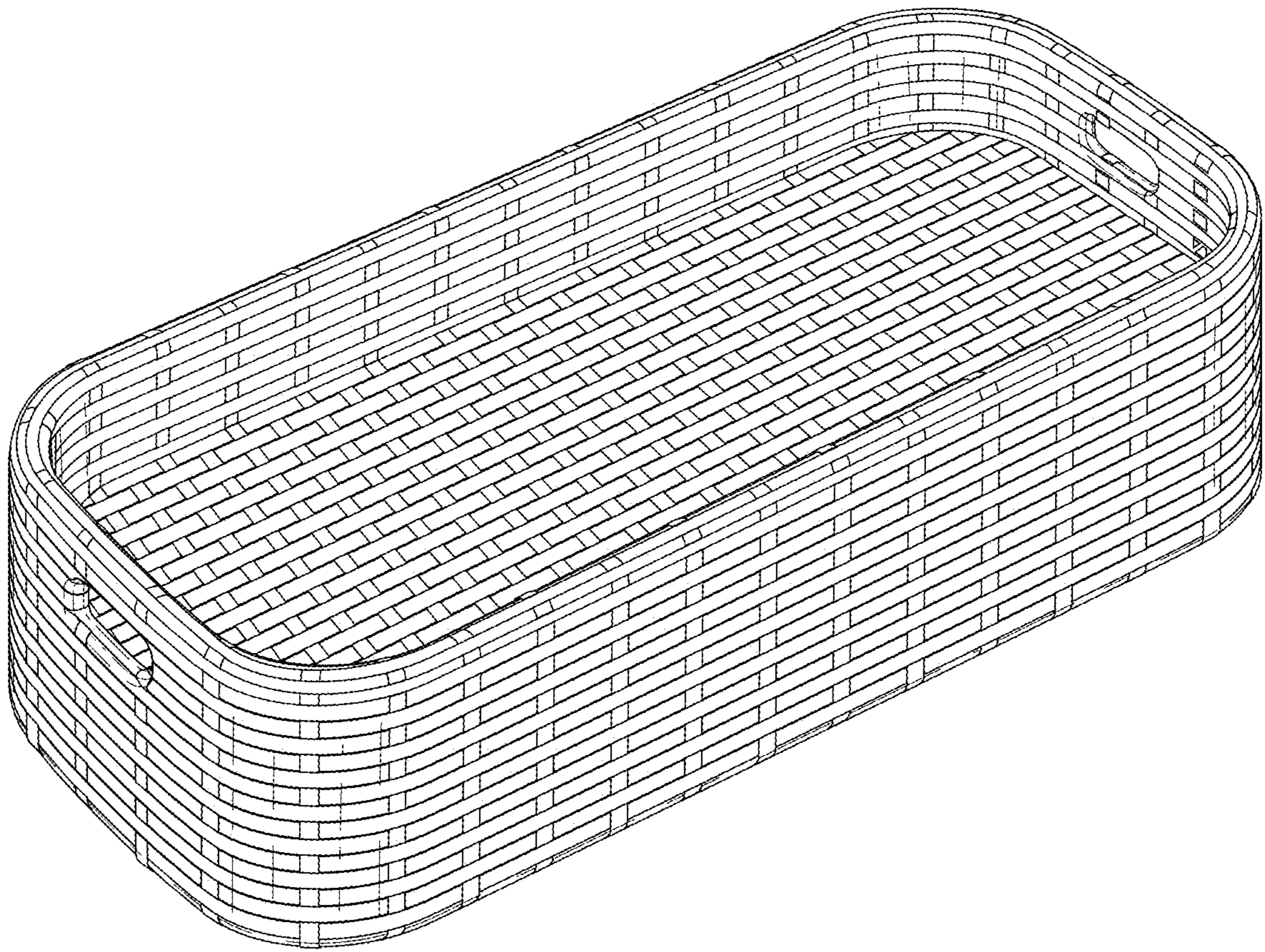
FIG. 1 is a perspective view of a floating serving tray, showing my new design;  
FIG. 2 is a front elevational view thereof;  
FIG. 3 is a rear elevational view thereof;  
FIG. 4 is a left side elevational view thereof  
FIG. 5 is a right side elevational view thereof;  
FIG. 6 is a top plan view thereof; and,  
FIG. 7 is a bottom plan view thereof.

**1 Claim, 3 Drawing Sheets**

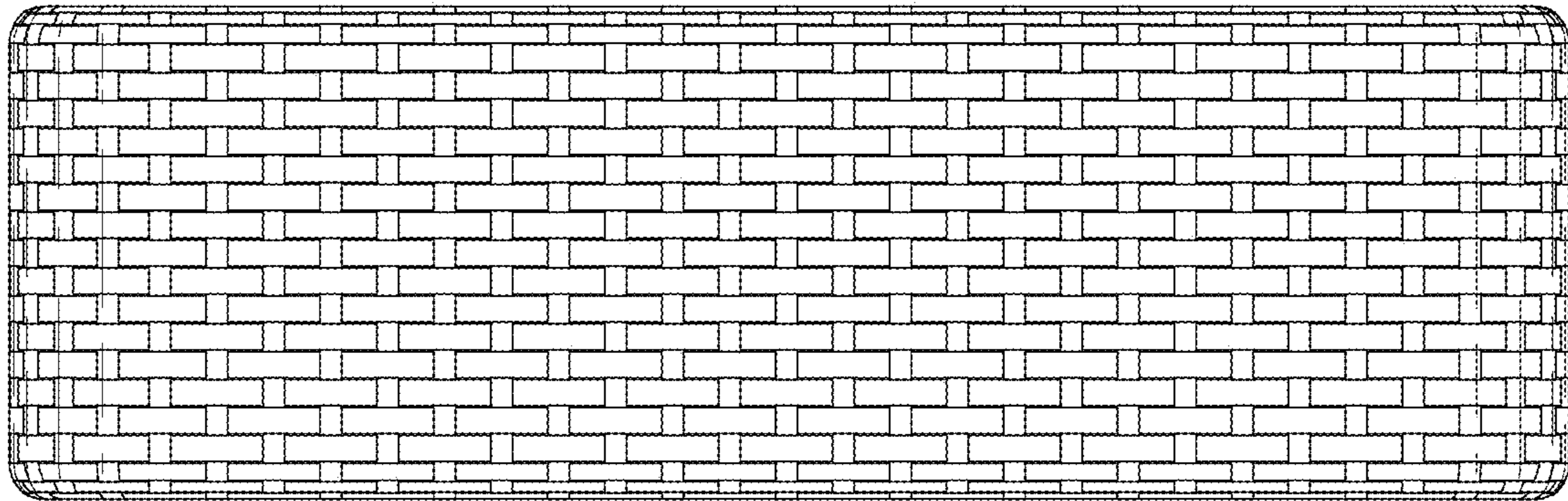
(56) **References Cited**  
U.S. PATENT DOCUMENTS  
D401,065 S \* 11/1998 Peltola ..... D3/304  
D462,877 S \* 9/2002 Lillelund ..... D7/548  
D490,611 S \* 6/2004 Lefever ..... D3/306  
D585,195 S \* 1/2009 Dominique ..... D3/304  
D683,963 S \* 6/2013 Tsai ..... D3/304  
D752,864 S \* 4/2016 Levie ..... D3/304  
D775,830 S \* 1/2017 Duvigneau ..... D3/304  
D775,831 S \* 1/2017 Duvigneau ..... D3/304  
D784,697 S \* 4/2017 Goodman ..... D3/306



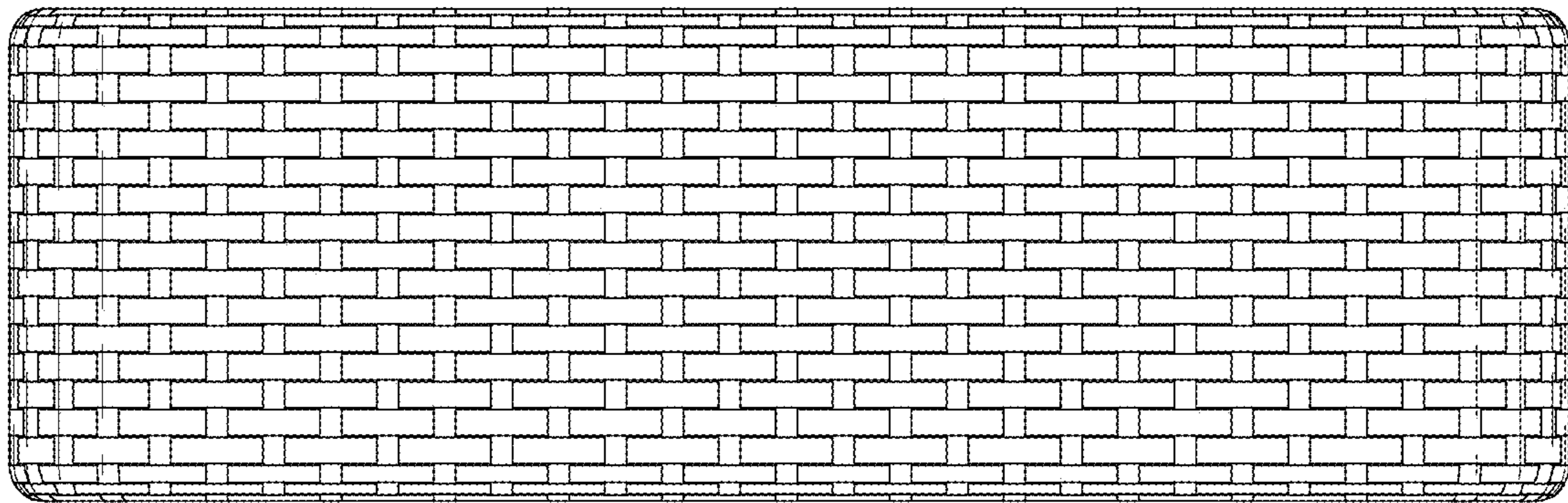




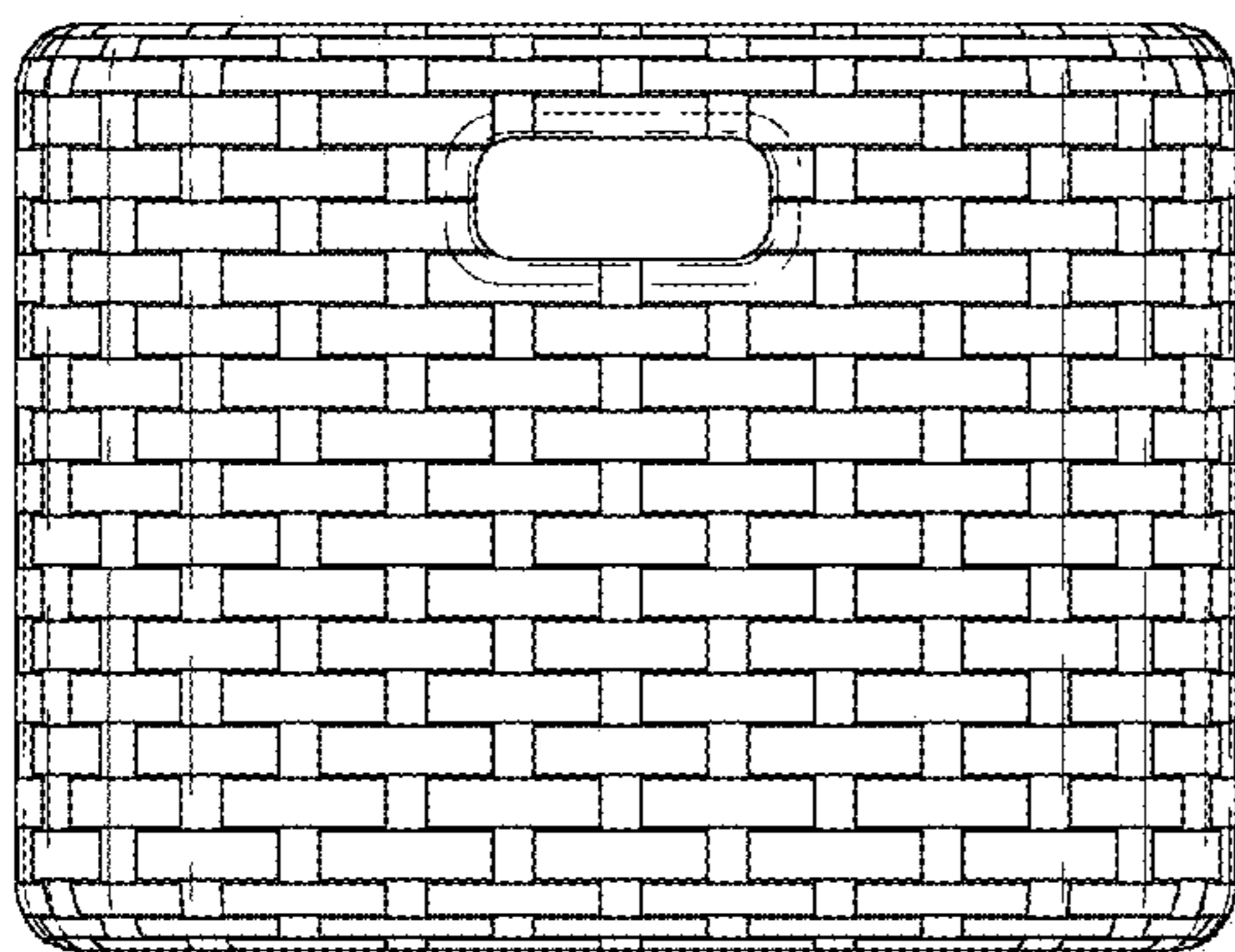
*Fig. 1*



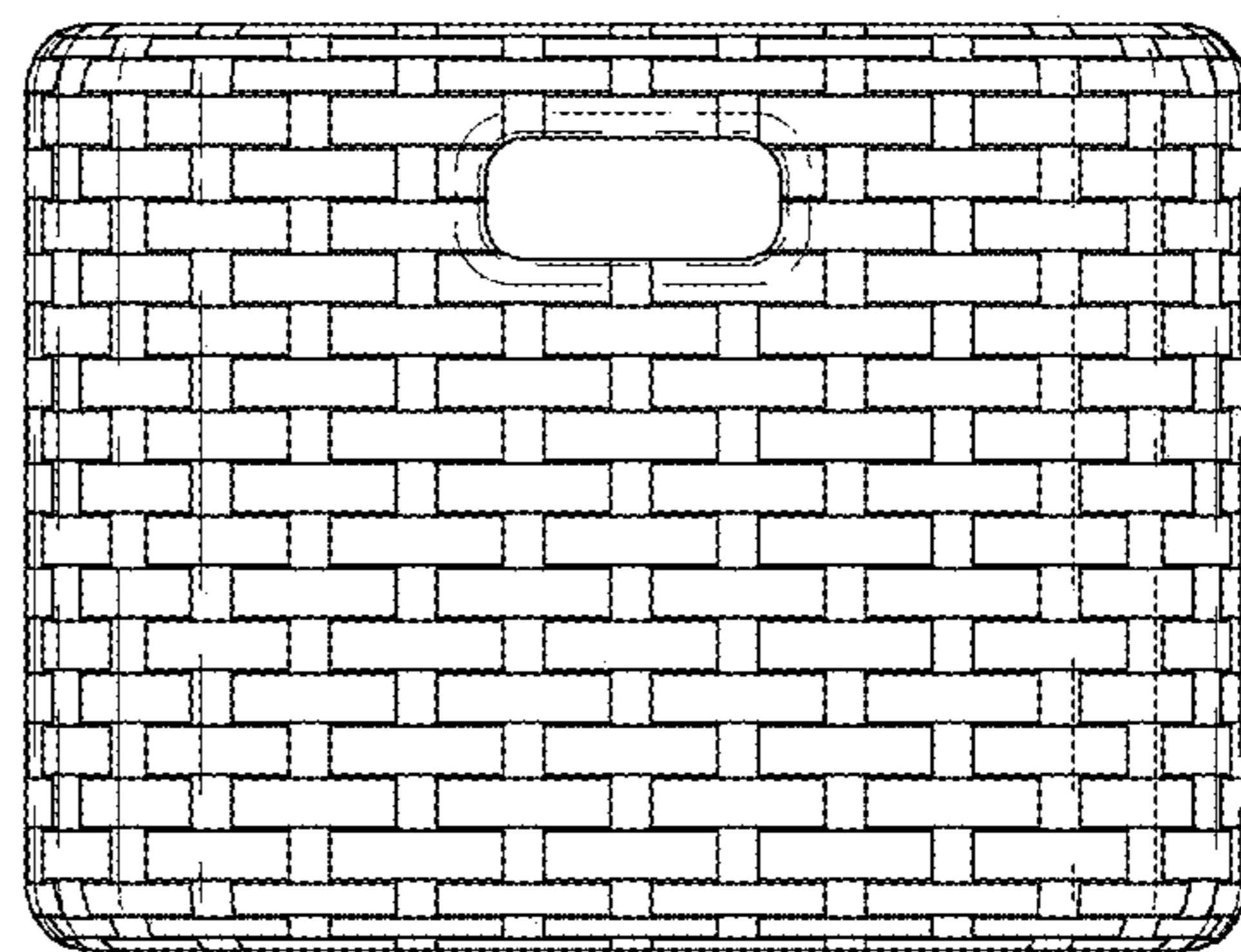
*Fig. 2*



*Fig. 3*

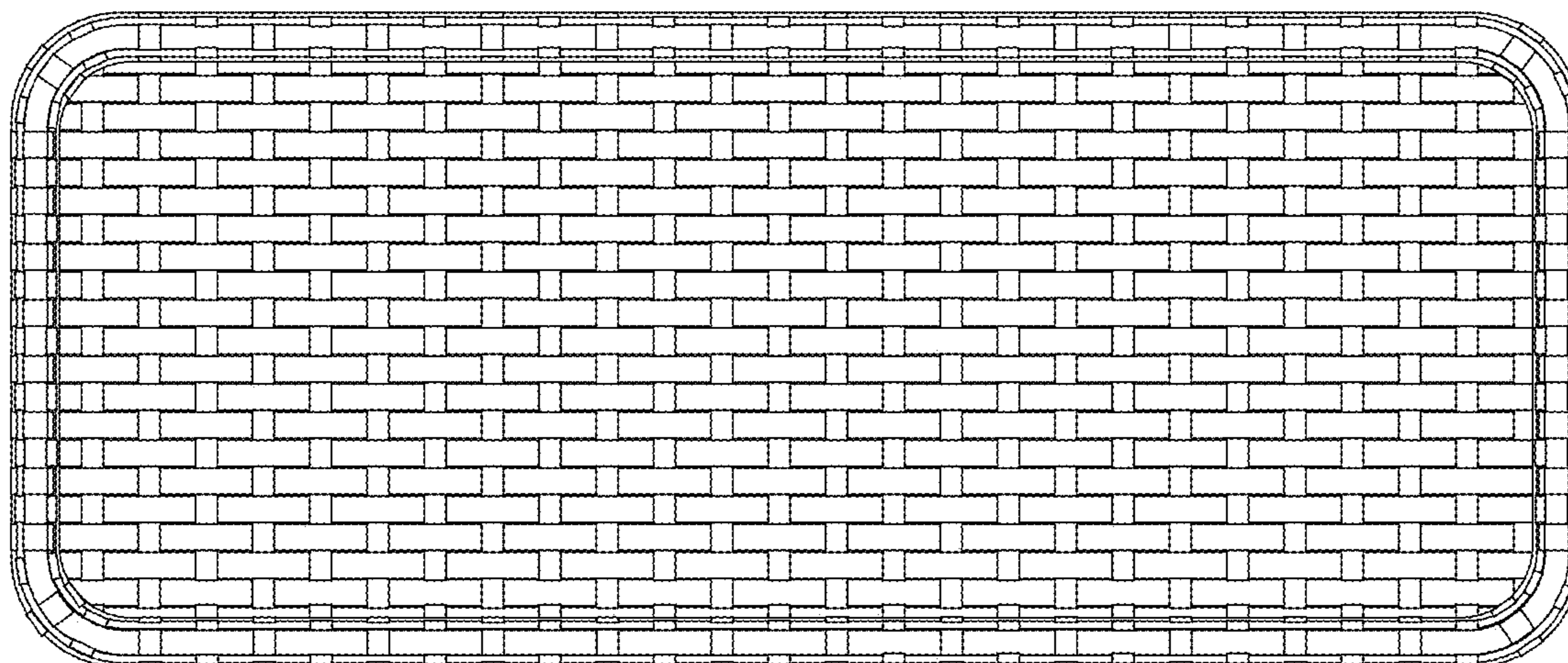


*Fig. 4*

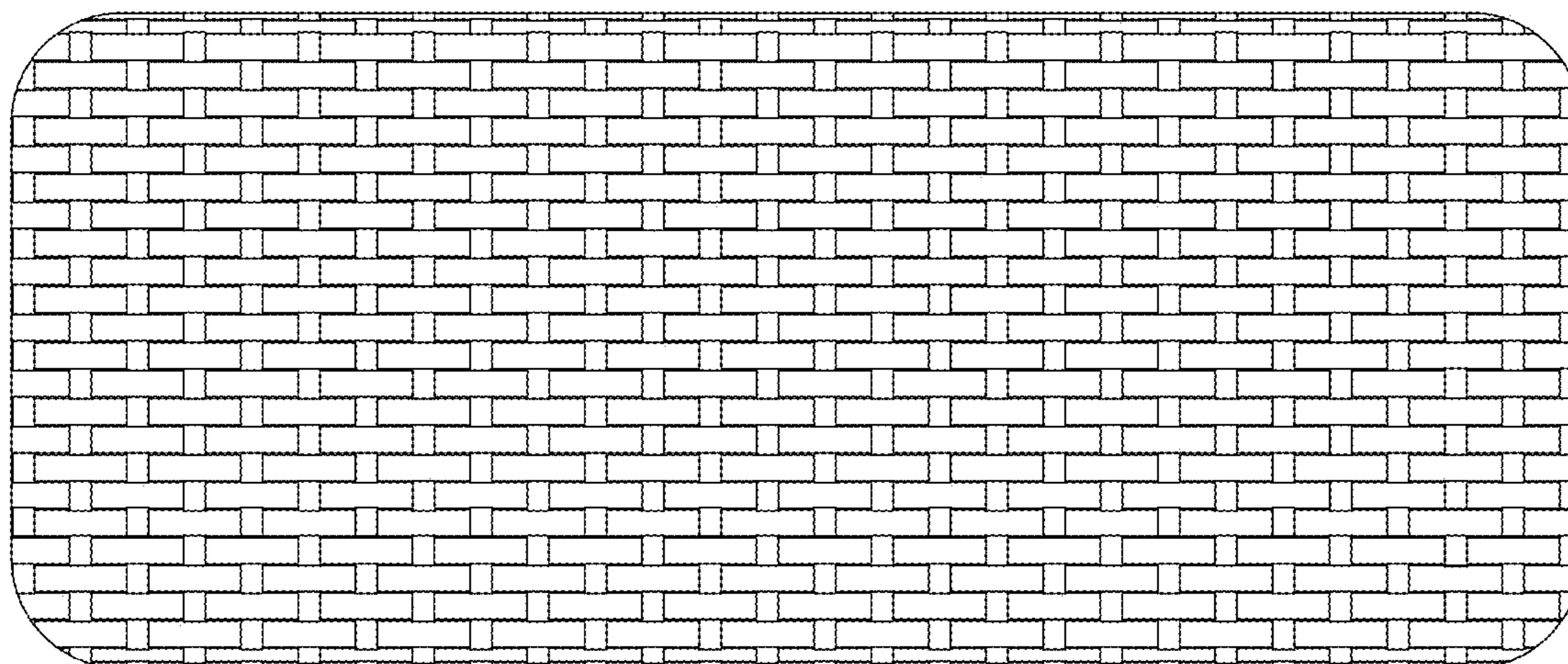


*Fig. 5*





*Fig. 6*



*Fig. 7*