



US00D894685S

(12) **United States Design Patent**  
**Kestenbaum**

(10) **Patent No.:** **US D894,685 S**  
(45) **Date of Patent:** **\*\* Sep. 1, 2020**

(54) **TRAVEL MUG**

(71) Applicant: **SHARKNINJA OPERATING LLC**,  
Needham, MA (US)

(72) Inventor: **Daniel Kestenbaum**, Brookline, MA  
(US)

(73) Assignee: **SHARKNINJA OPERATING LLC**,  
Needham, MA (US)

(\*\*) Term: **15 Years**

(21) Appl. No.: **29/655,410**

(22) Filed: **Jul. 3, 2018**

**Related U.S. Application Data**

(62) Division of application No. 29/613,003, filed on Aug.  
7, 2017, now Pat. No. Des. 825,995, which is a  
(Continued)

(51) **LOC (12) Cl.** ..... **07-01**

(52) **U.S. Cl.**  
USPC ..... **D7/532; D7/523**

(58) **Field of Classification Search**  
USPC ..... D7/500, 501, 505, 507, 509, 510, 511,  
D7/512, 523, 532, 534, 608, 607, 550.1,  
(Continued)

(56) **References Cited**

**U.S. PATENT DOCUMENTS**

1,260,779 A \* 3/1918 Koos ..... B65D 21/086  
220/731  
2,880,902 A \* 4/1959 Owsen ..... A45F 3/20  
200/85 R

(Continued)

**OTHER PUBLICATIONS**

[https://www.amazon.com/Stainless-Silicone-Drinking-Tumblers-Eco-Friendly/dp/B07H2BBP14/ref=psdc\\_13218451\\_t1\\_B07JPKN4XT](https://www.amazon.com/Stainless-Silicone-Drinking-Tumblers-Eco-Friendly/dp/B07H2BBP14/ref=psdc_13218451_t1_B07JPKN4XT) (Year: 2018).\*

(Continued)

*Primary Examiner* — Jae Liang

(74) *Attorney, Agent, or Firm* — Cantor Colburn LLP

(57) **CLAIM**

The ornamental design for a travel mug, as shown and described.

**DESCRIPTION**

FIG. 1 is a perspective view of a travel mug, showing our new design in a first embodiment;

FIG. 2 is a front view of the embodiment shown in FIG. 1; FIG. 3 is a back view of the embodiment shown in FIG. 1; FIG. 4 is a side view of the embodiment shown in FIG. 1; FIG. 5 is another side view of the embodiment shown in FIG. 1;

FIG. 6 is a top view of the embodiment shown in FIG. 1; FIG. 7 is a bottom view of the embodiment shown in FIG. 1;

FIG. 8 is a rear perspective view of the embodiment shown in FIG. 1;

FIG. 9 is a perspective view of a travel mug, showing our new design in another embodiment;

FIG. 10 is a front view of the embodiment shown in FIG. 9; FIG. 11 is a back view of the embodiment shown in FIG. 9; FIG. 12 is a side view of the embodiment shown in FIG. 9; FIG. 13 is another side view of the embodiment shown in FIG. 9;

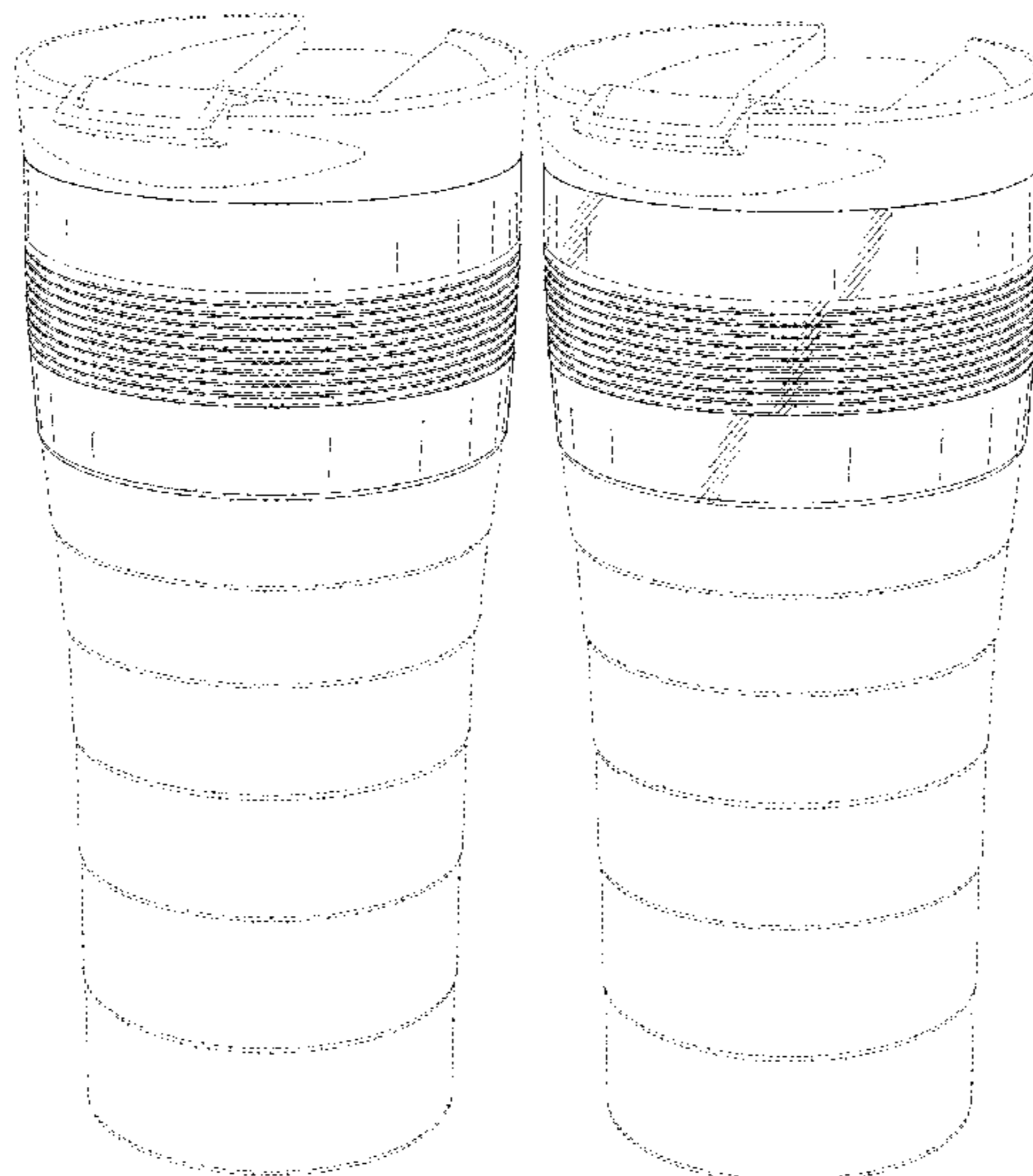
FIG. 14 is a top view of the embodiment shown in FIG. 9; FIG. 15 is a bottom view of the embodiment shown in FIG. 9; and,

FIG. 16 is a rear perspective view of the embodiment shown in FIG. 9.

The broken lines in the figures are for environmental purposes only and form no part of the claimed design.

The oblique line shading shown in the embodiments of FIGS. 9-16 represents a metallic surface such as stainless steel.

**1 Claim, 14 Drawing Sheets**



**Related U.S. Application Data**

division of application No. 29/552,495, filed on Jan. 22, 2016, now Pat. No. Des. 796,905.

(58) **Field of Classification Search**

USPC ..... D7/553.1, 553.2, 554.3, 555, 669, 667, D7/392.1, 396.2; D9/414, 430, 431, 740, D9/759, 756, 440, 551, 556, 559, 562, D9/569, 504, 503, 447; D3/203.3, 203.2, D3/205, 283, 202, 288, 903, 901; D28/77, 83, 4; D19/77, 92, 81, 90, 95, D19/65, 102, 103, 105, 106, 107, 109; D6/301; 215/388; 220/703, 669, 667, 220/62.12, 592.16, 592.17, 666; D24/197  
CPC .. A47G 19/30; A47G 19/022; A47G 23/0608; A47G 23/0633; A47G 23/06; A47G 2019/2277; A45F 2003/205; B65D 21/086; B65D 1/0292; Y10S 215/90  
See application file for complete search history.

(56) **References Cited**

U.S. PATENT DOCUMENTS

3,220,544 A \* 11/1965 Lovell ..... A61J 7/0046  
206/218  
3,471,058 A \* 10/1969 Latham ..... B65D 21/086  
190/107  
3,850,361 A \* 11/1974 Day ..... B65D 1/265  
229/400  
D272,794 S \* 2/1984 Dart ..... D7/532  
D397,905 S \* 9/1998 Hsu ..... D7/316  
D422,179 S \* 4/2000 Stephenson ..... D7/510  
D462,875 S \* 9/2002 Norris ..... D7/532  
D468,588 S \* 1/2003 Norris ..... D7/510  
6,666,329 B1 \* 12/2003 Charbonneau ..... A61J 7/0046  
206/218

D485,759 S \* 1/2004 Janky ..... D7/392.1  
D534,038 S \* 12/2006 Kramer ..... D7/510  
D538,993 S \* 3/2007 Cabeza ..... D34/1  
D544,303 S \* 6/2007 Strepkoff ..... D7/512  
D553,908 S \* 10/2007 Bonini ..... D7/507  
D606,808 S \* 12/2009 Germann ..... D7/510  
D619,852 S \* 7/2010 Bodum ..... D7/523  
D643,245 S \* 8/2011 Minarsch ..... D7/392.1  
D644,060 S \* 8/2011 Komeiji ..... D7/392.1  
D674,663 S \* 1/2013 Cahen ..... D7/510  
D691,416 S \* 10/2013 Eyal ..... D7/396.2  
9,044,082 B2 \* 6/2015 Kusuma ..... A45F 3/20  
D747,925 S \* 1/2016 Engler ..... D7/510  
D756,709 S \* 5/2016 Weitman ..... D7/509  
D758,802 S \* 6/2016 Bodum ..... D7/523  
D761,618 S \* 7/2016 Lapsker ..... D7/392.1  
D771,340 S \* 11/2016 Naber ..... D32/53  
D817,092 S \* 5/2018 Pisarevsky ..... D7/507  
D838,138 S \* 1/2019 Yao ..... D7/507  
D838,549 S \* 1/2019 Gu ..... D7/510  
D873,070 S \* 1/2020 Frings ..... D7/392  
2011/0303659 A1 \* 12/2011 Perlman ..... A45F 3/20  
220/8  
2015/0208839 A1 \* 7/2015 Shalmoni ..... B65D 1/265  
206/514

OTHER PUBLICATIONS

[https://www.amazon.com/Fucktardo-Travel-Tumbler-Insulated-Sarcastic/dp/B07MJTNVL3/ref=psdc\\_602608\\_t1\\_B07WD61TRH](https://www.amazon.com/Fucktardo-Travel-Tumbler-Insulated-Sarcastic/dp/B07MJTNVL3/ref=psdc_602608_t1_B07WD61TRH)  
(Year: 2019).\*  
Requirement for Restriction/Election; U.S. Appl. No. 29/552,495, filed Jan. 22, 2016; Travel Mug; Notification Date: Nov. 18, 2016; 7 pages.  
Requirement for Restriction/Election; U.S. Appl. No. 29/613,003, filed Aug. 7, 2017; Travel Mug; Notification Date: Dec. 29, 2017; 12 pages.

\* cited by examiner

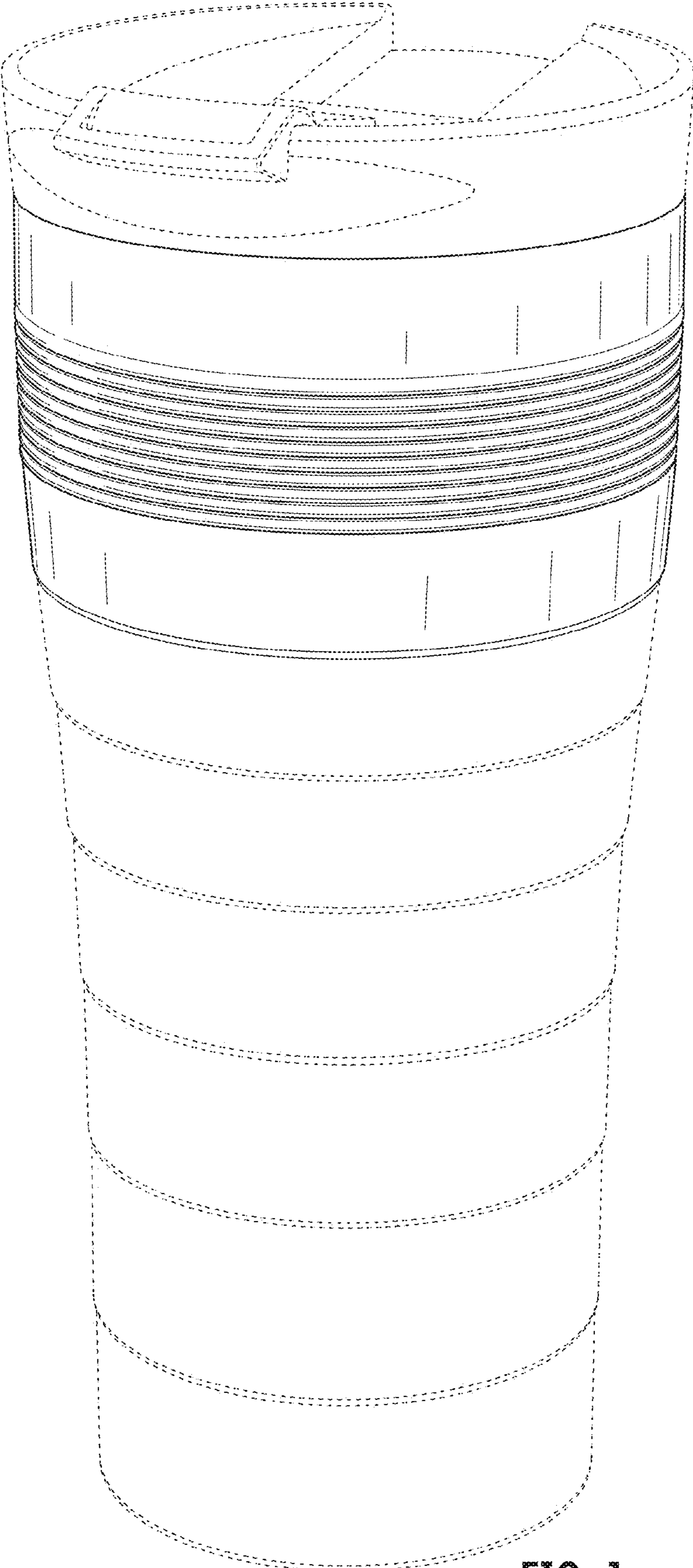


FIG. 1

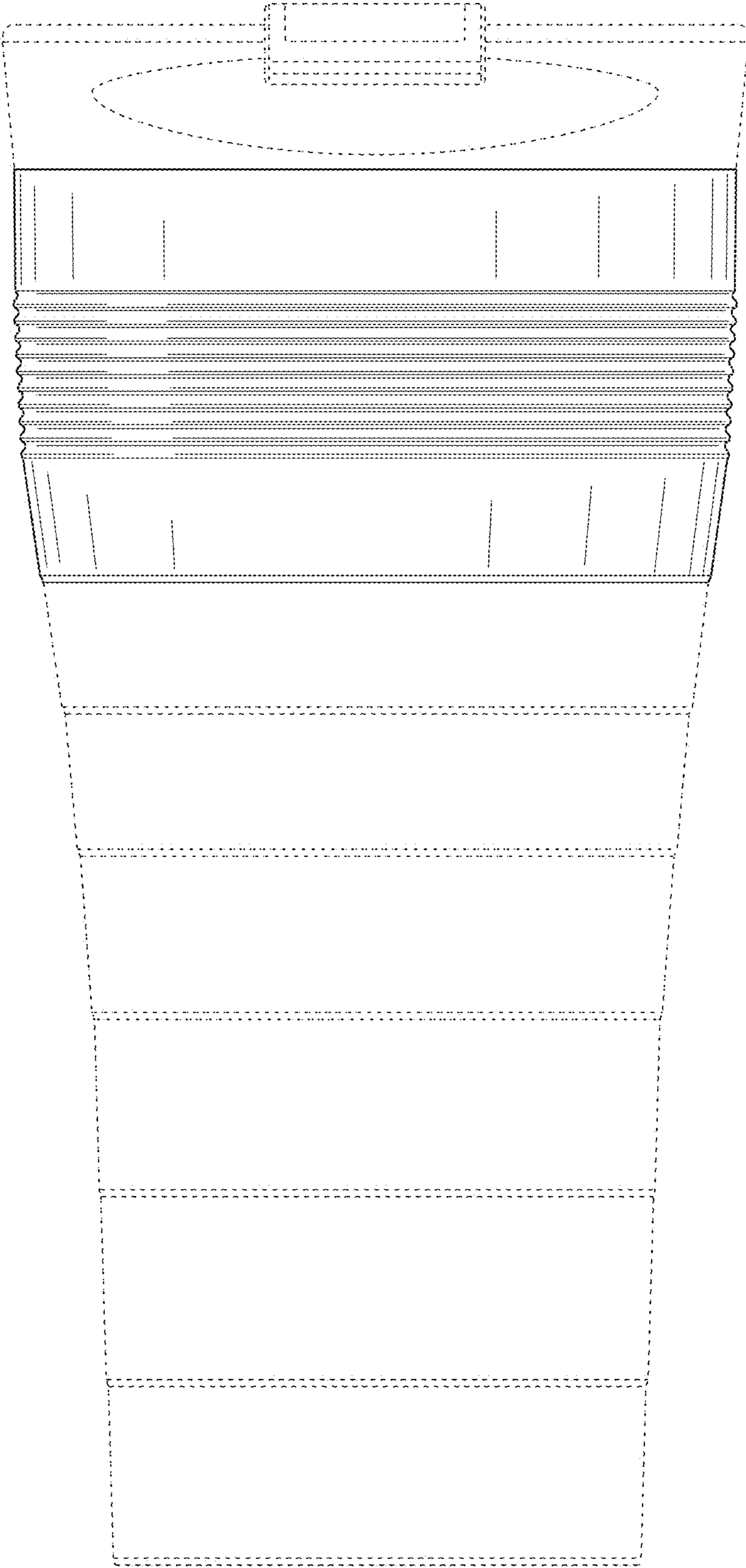


FIG. 2

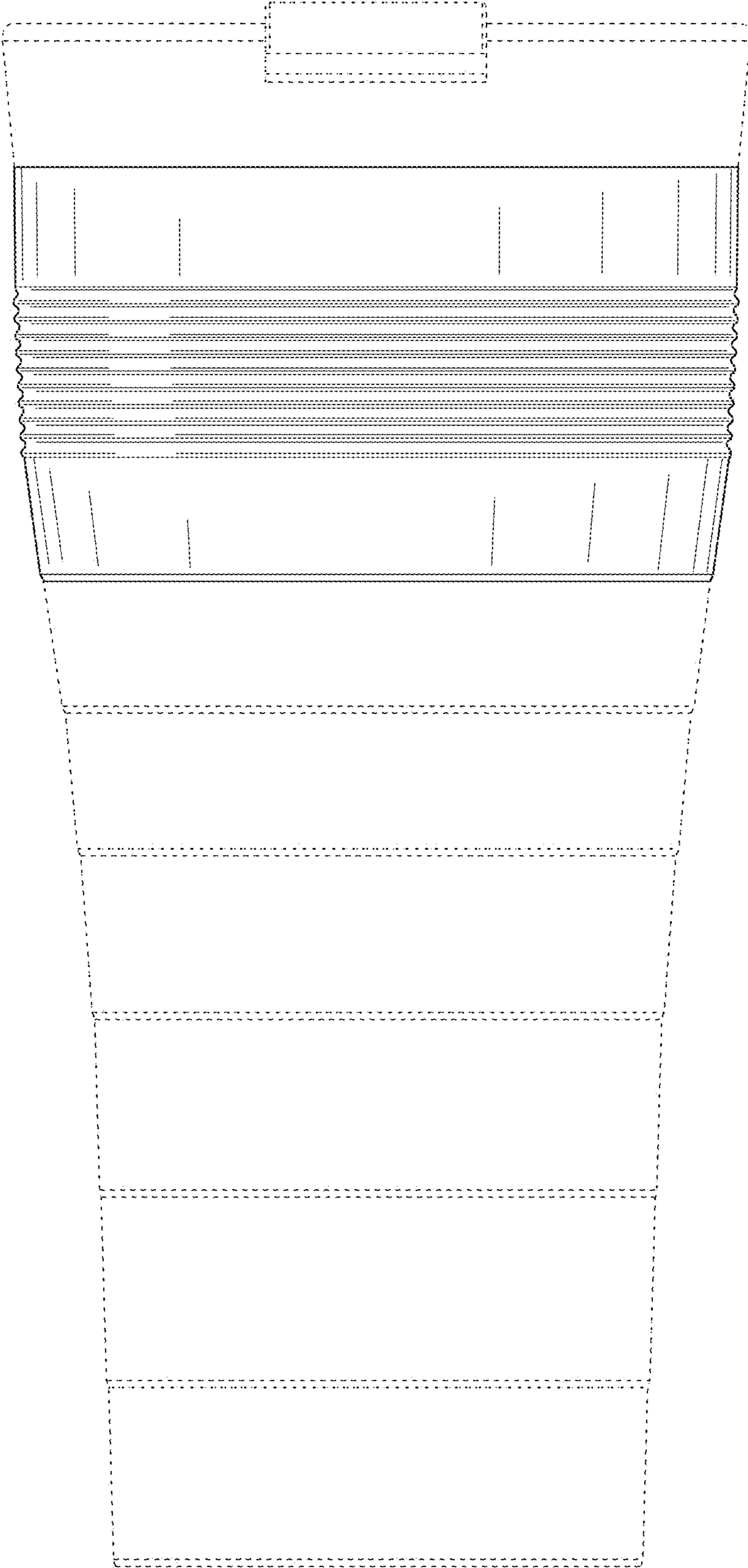


FIG. 3

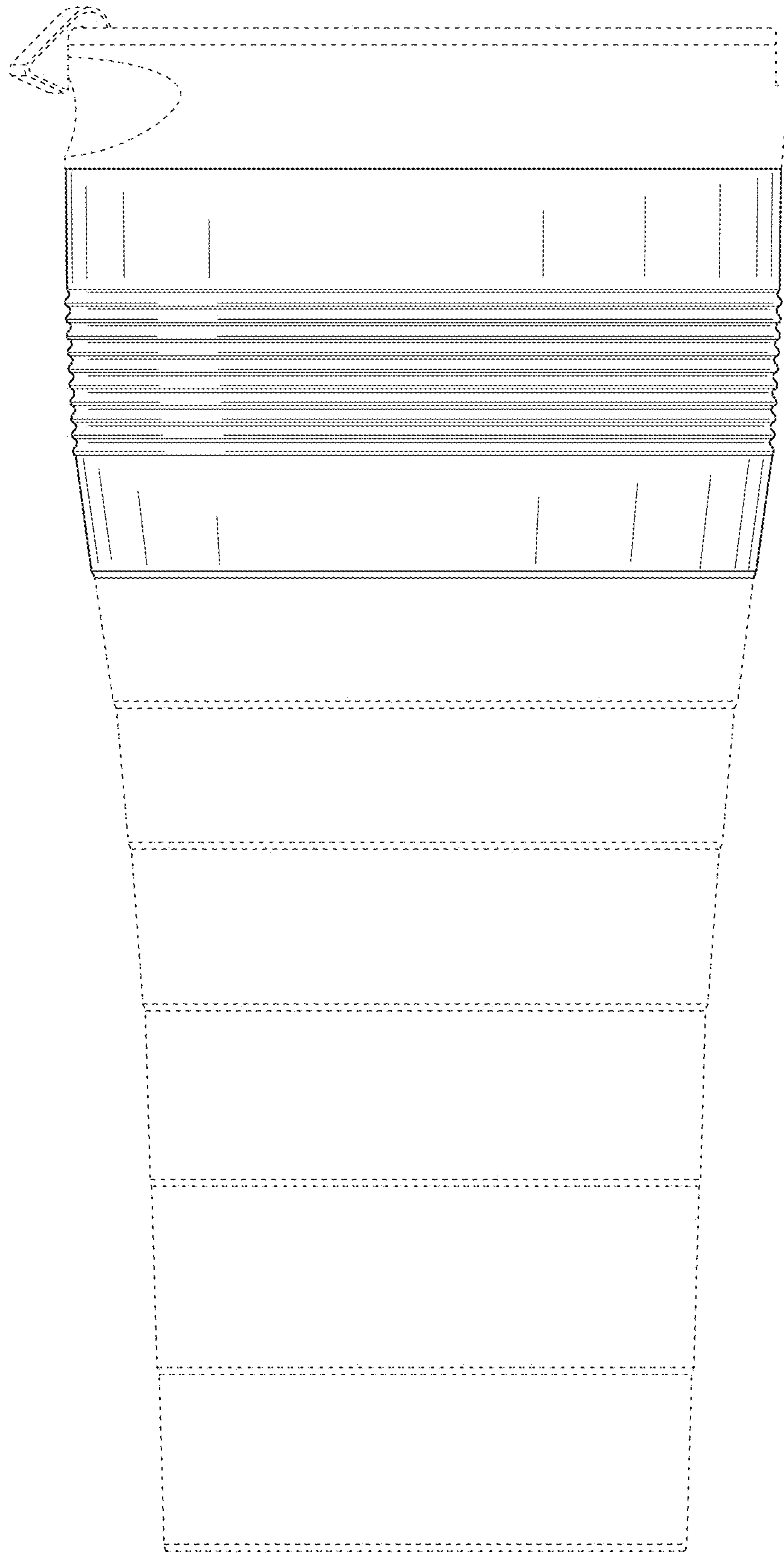


FIG. 4

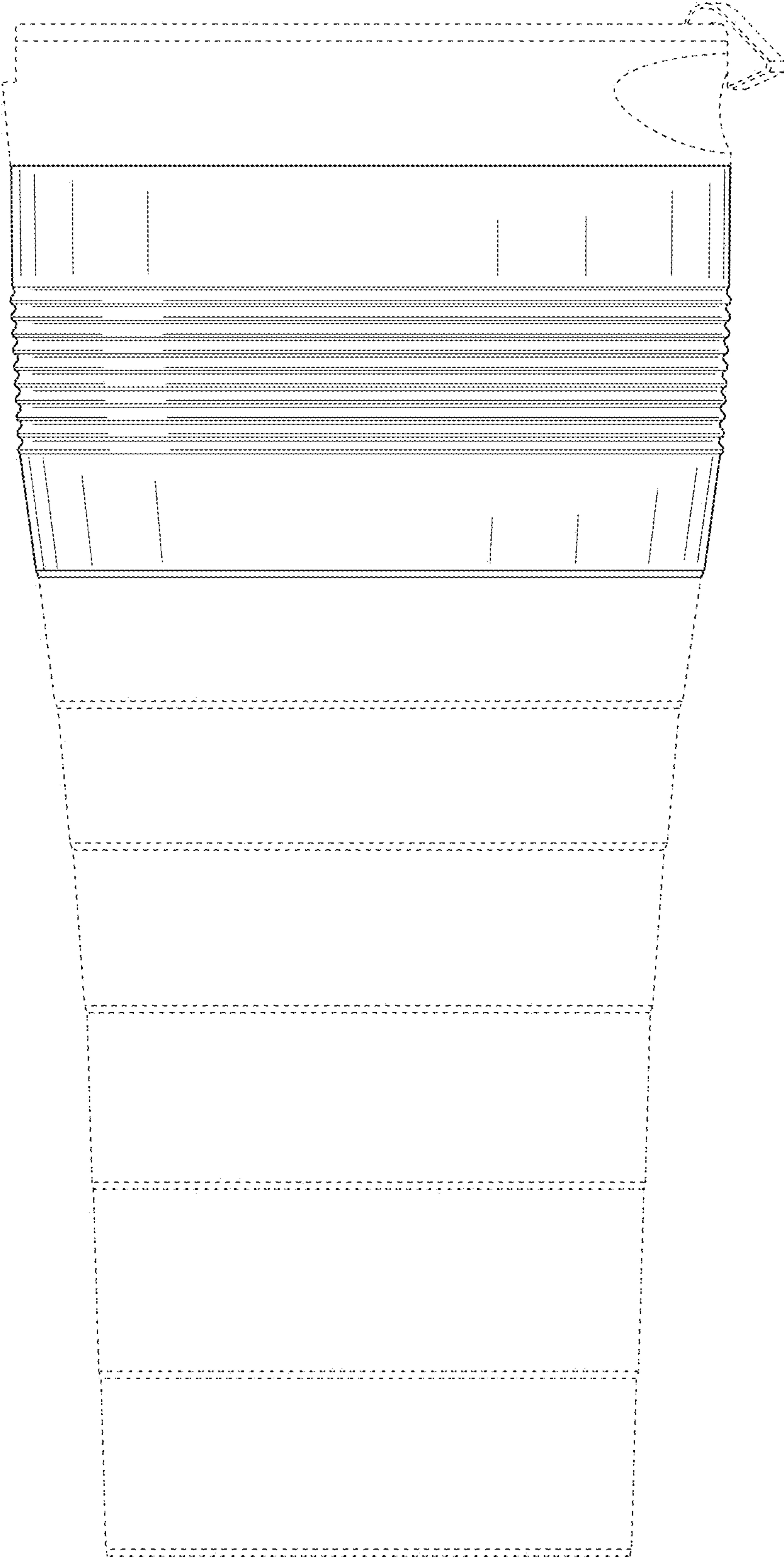


FIG. 5

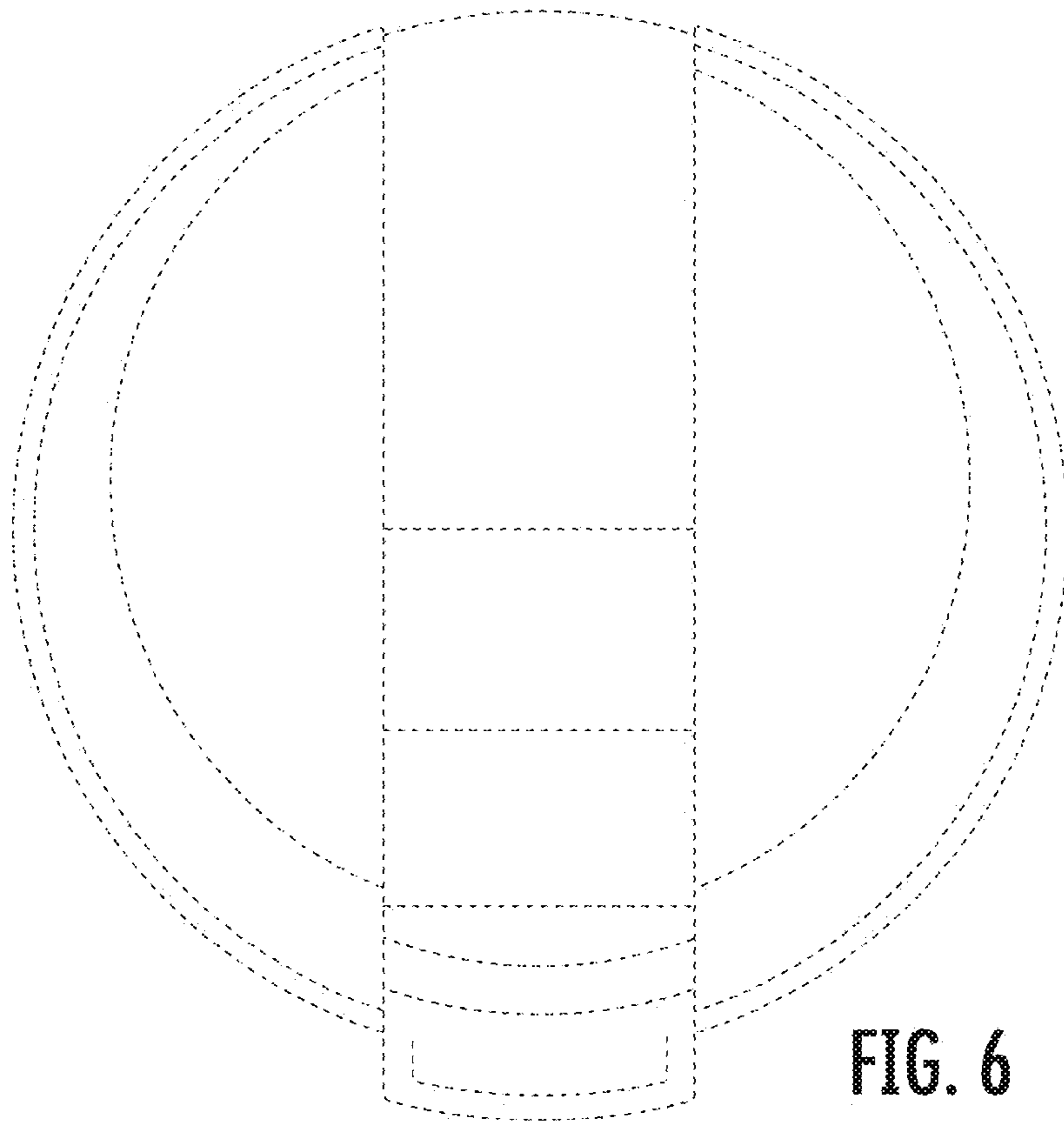


FIG. 6

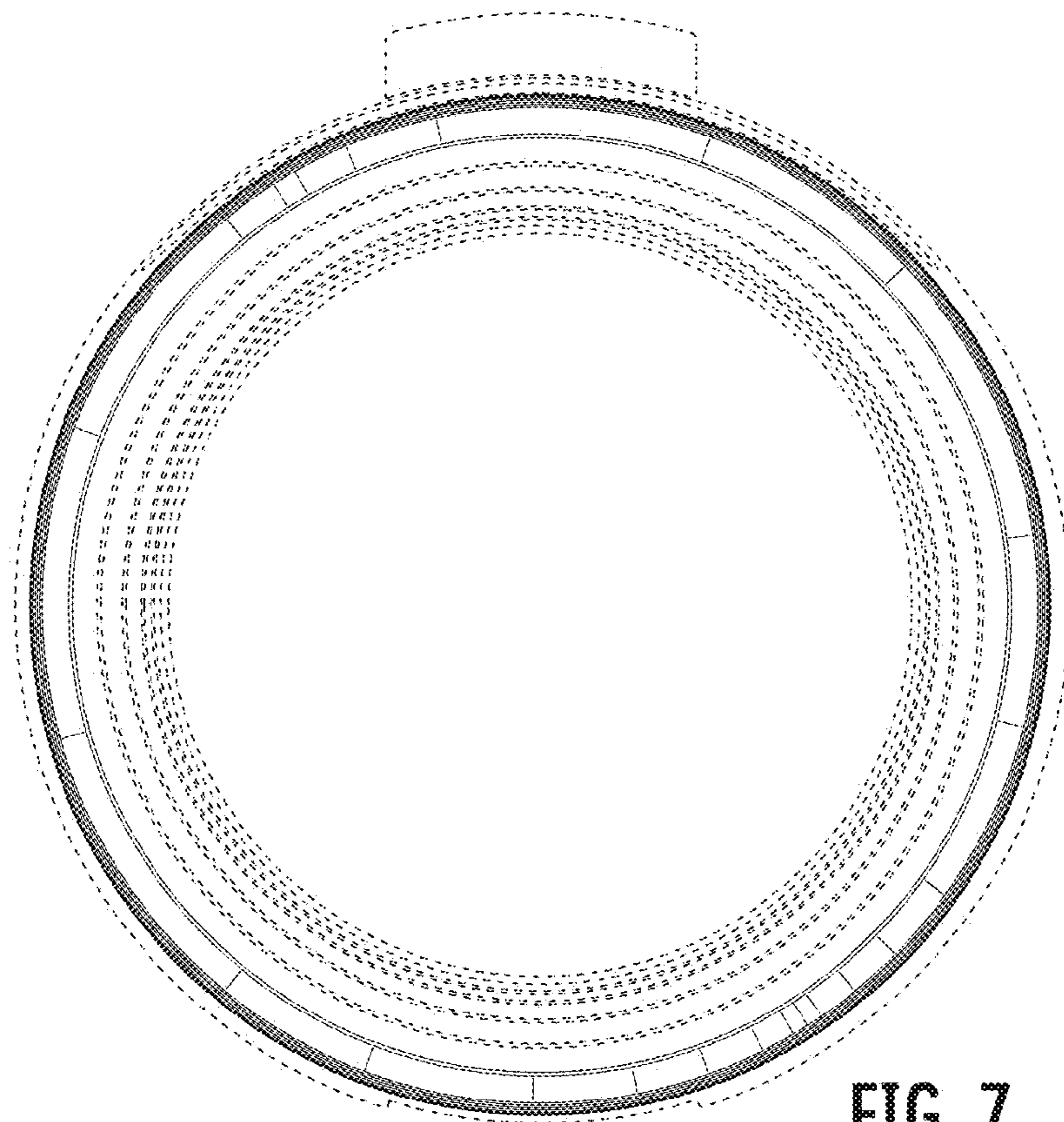


FIG. 7



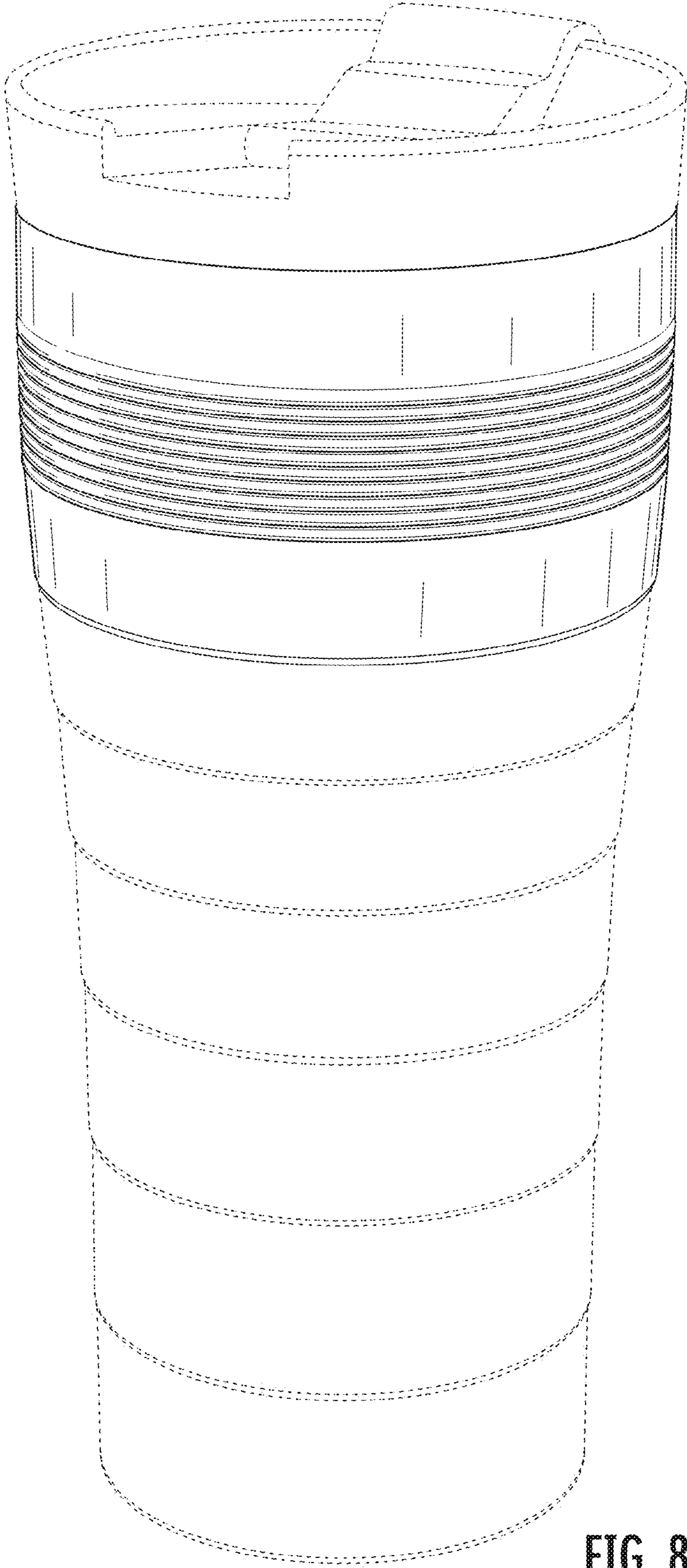


FIG. 8

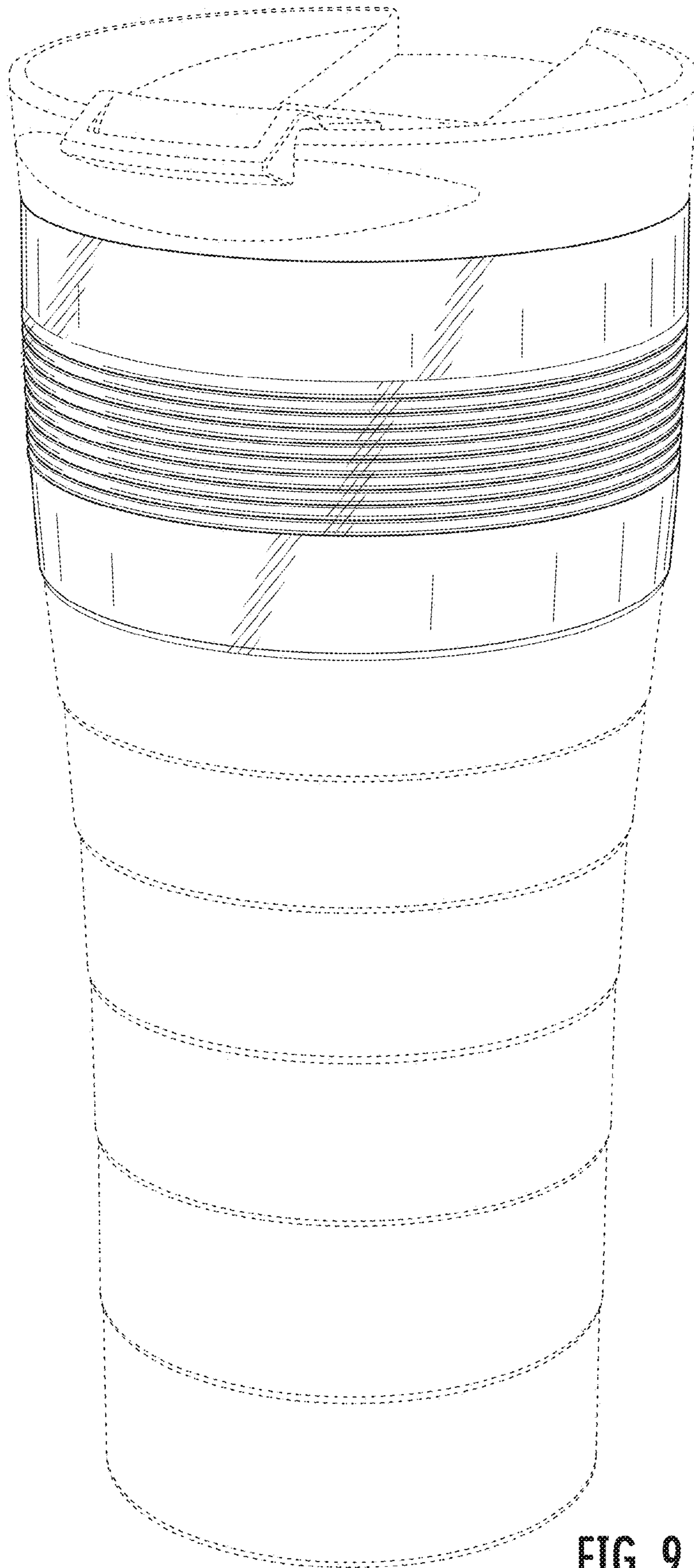


FIG. 9

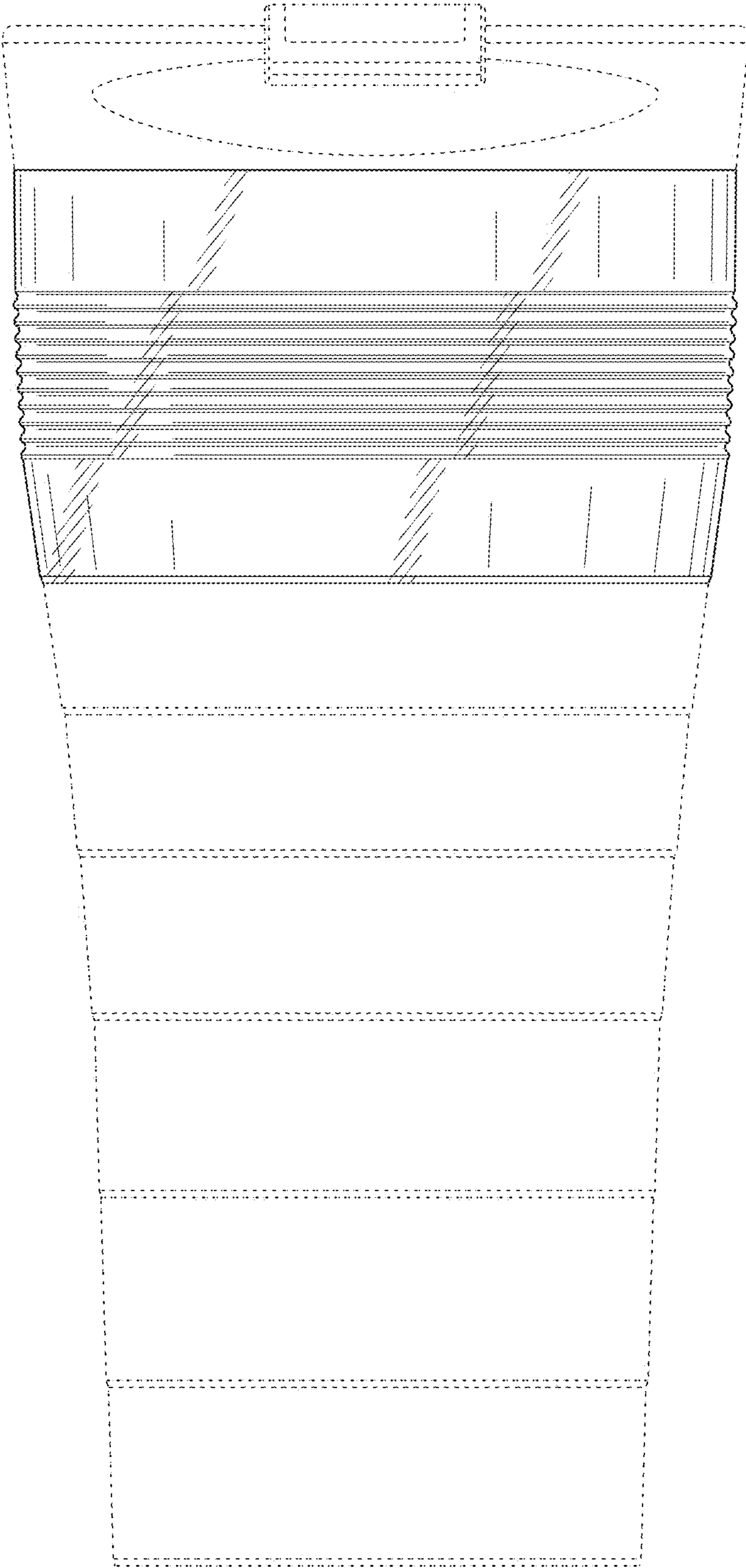


FIG. 10

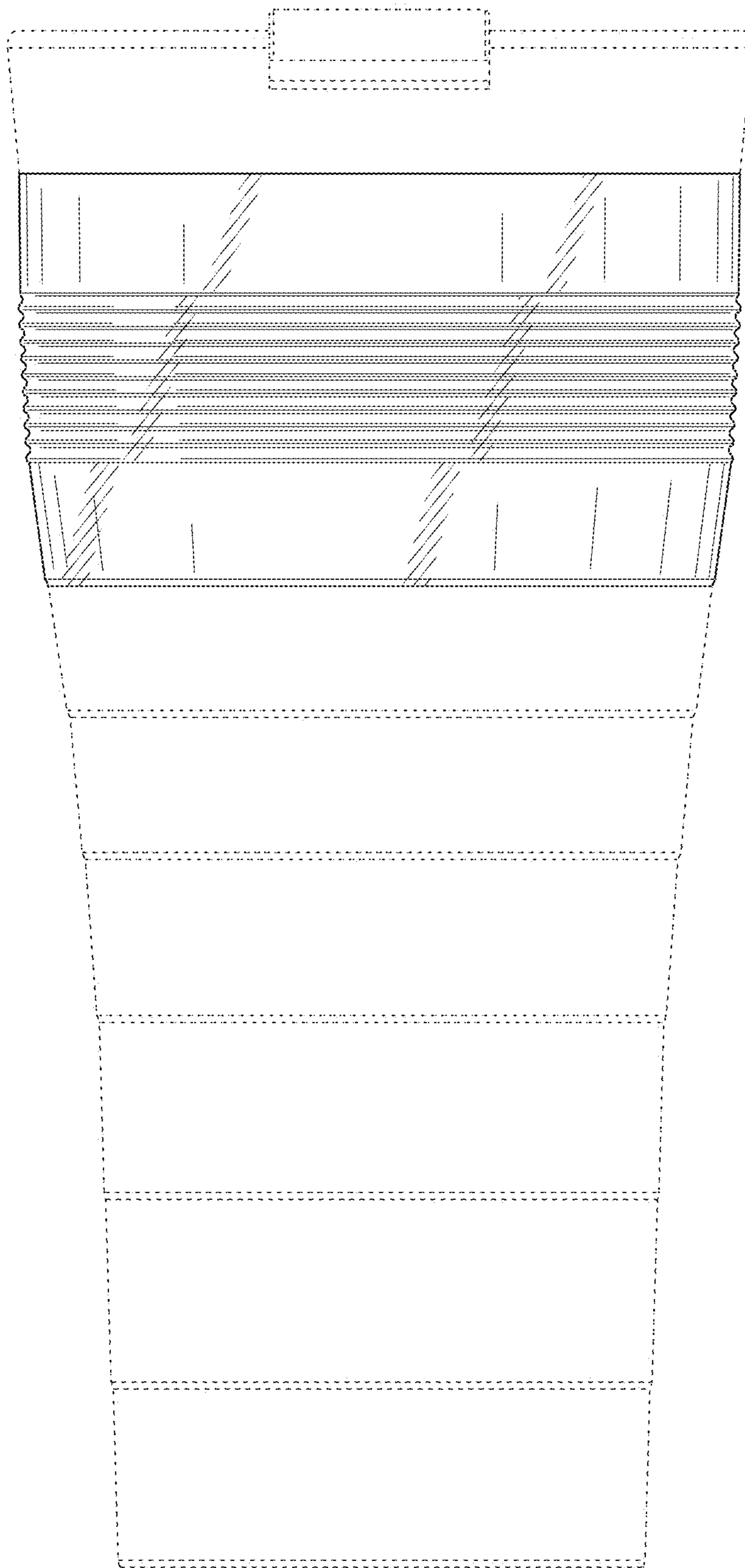


FIG. 11

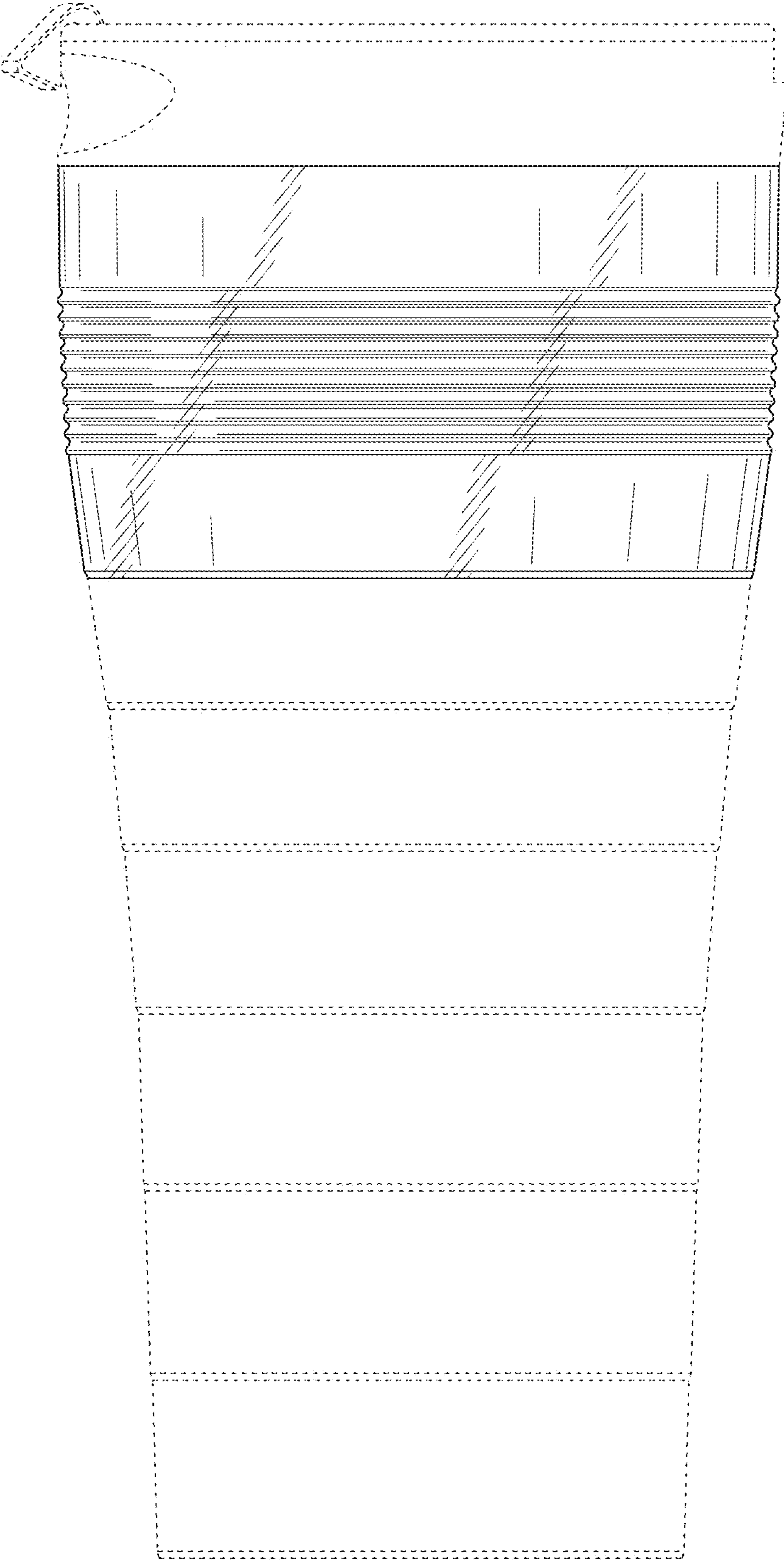


FIG. 12

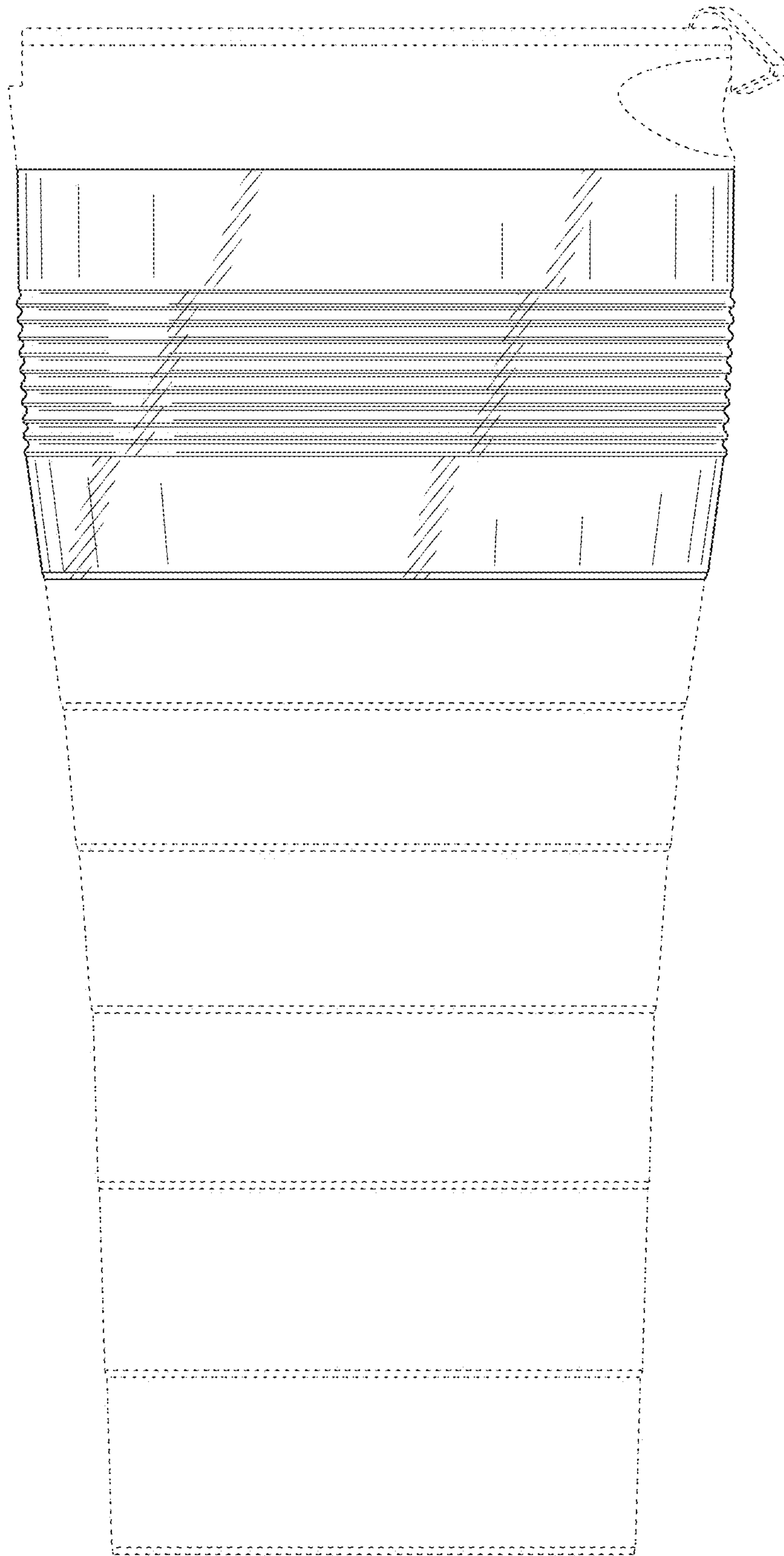


FIG. 13

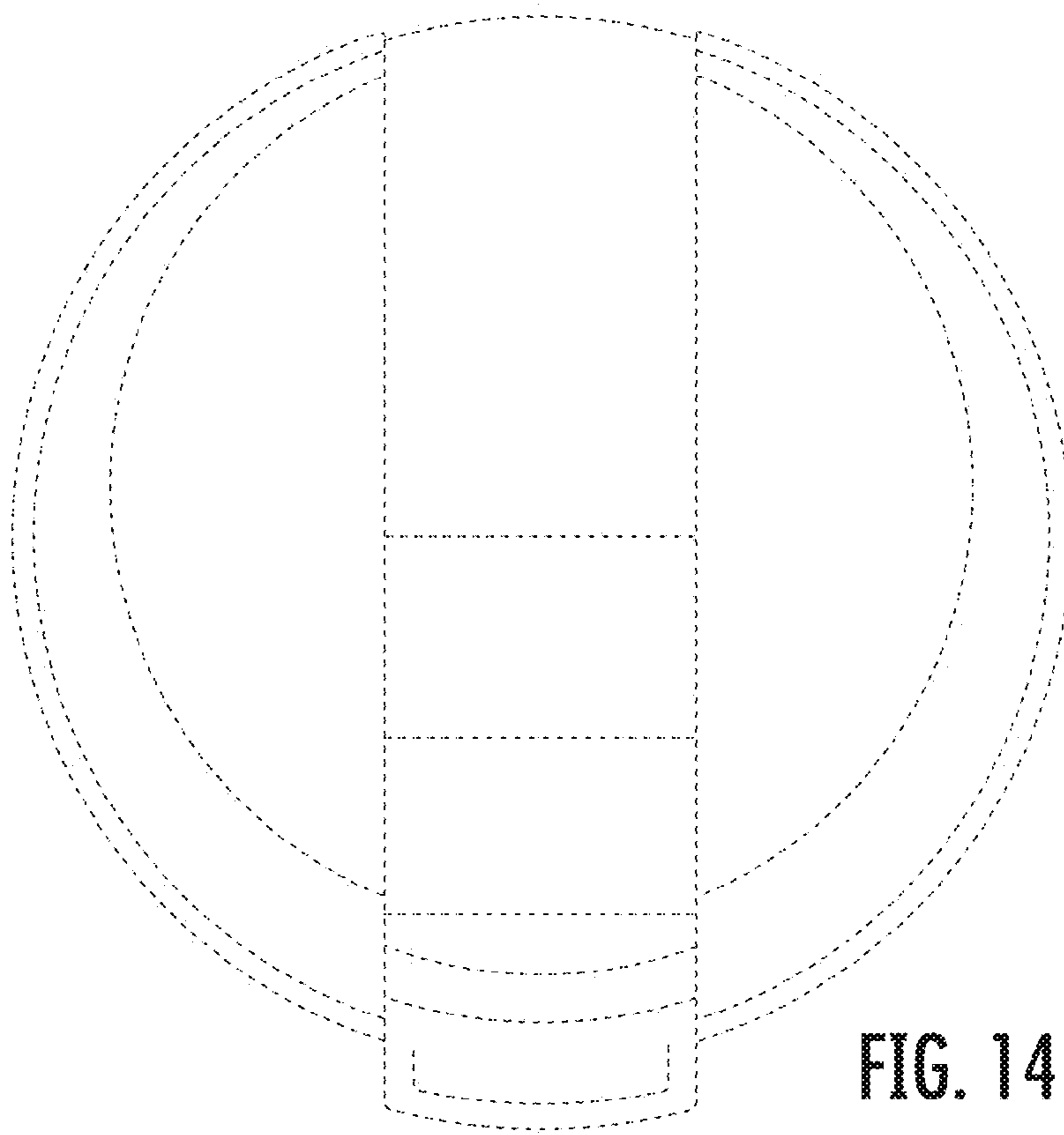


FIG. 14

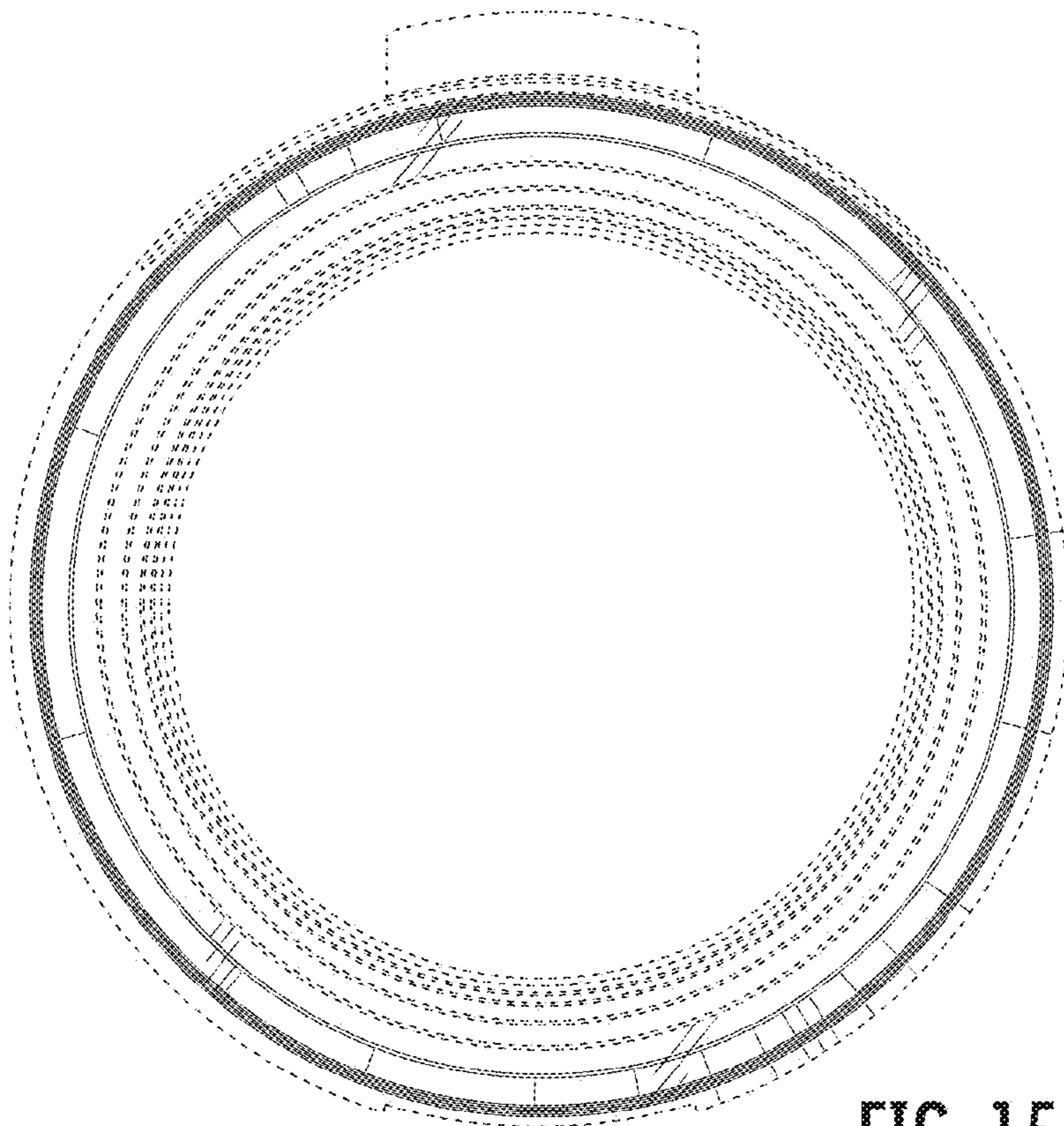


FIG. 15

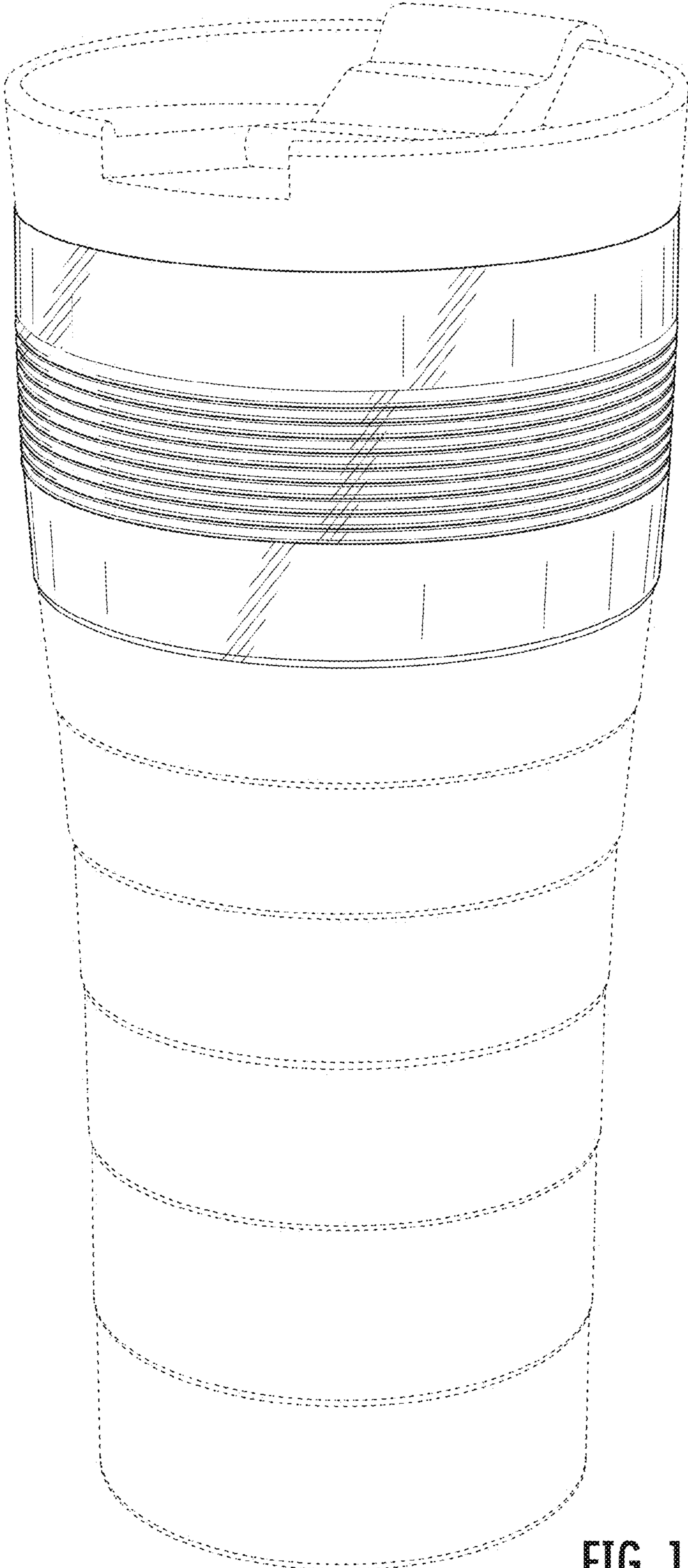


FIG. 16