



US00D894682S

(12) **United States Design Patent**  
**Julian**

(10) **Patent No.:** **US D894,682 S**

(45) **Date of Patent:** **\*\* Sep. 1, 2020**

- (54) **CUTTER FOR FOOD PRODUCTS**
- (71) Applicant: **Lamb Weston, Inc.**, Eagle, ID (US)
- (72) Inventor: **John Julian**, Richland, WA (US)
- (73) Assignee: **Lamb Weston, Inc.**, Eagle, ID (US)
- (\*\*) Term: **15 Years**

- (21) Appl. No.: **29/669,823**
- (22) Filed: **Nov. 12, 2018**
- (51) **LOC (12) Cl.** ..... **31-00**
- (52) **U.S. Cl.**  
USPC ..... **D7/412; D7/376; D7/383; D7/384;**  
**D7/385**

- (58) **Field of Classification Search**  
USPC ..... D1/120, 125; D7/372, 376-387,  
D7/412-413, 602, 629, 665-666, 669,  
D7/679, 693-694  
CPC ... A21C 1/02; A21C 1/04; A23L 19/14; A23L  
19/18; A23N 1/00; A23N 1/02; A23P  
30/10; A47J 43/04; A47J 43/25; A47J  
43/27; A47J 43/042; A47J 43/044; A47J  
43/046; A47J 43/075; A47J 43/0722;  
A47J 43/0727; B01F 3/00; B01F 3/0807;  
B01F 3/0853; B01F 13/0059; B01F  
13/0064; B02C 1/08; B02C 2/04; B02C  
4/42; B02C 4/142; B02C 4/143; B02C  
4/423; B02C 13/1835; B28C 5/10; B28C  
5/12; B28C 5/14; B28C 5/16; B26D 1/03;  
B26D 1/0006; B26D 3/22; B26D 7/0658;  
B26D 7/2614

See application file for complete search history.

(56) **References Cited**

**U.S. PATENT DOCUMENTS**

- 2,769,714 A \* 11/1956 Stahmer ..... A23L 19/14  
426/144
- D239,215 S \* 3/1976 Miller ..... D1/120

(Continued)

*Primary Examiner* — Ricky Pham  
(74) *Attorney, Agent, or Firm* — Ryan T. Grace; Advent, LLP

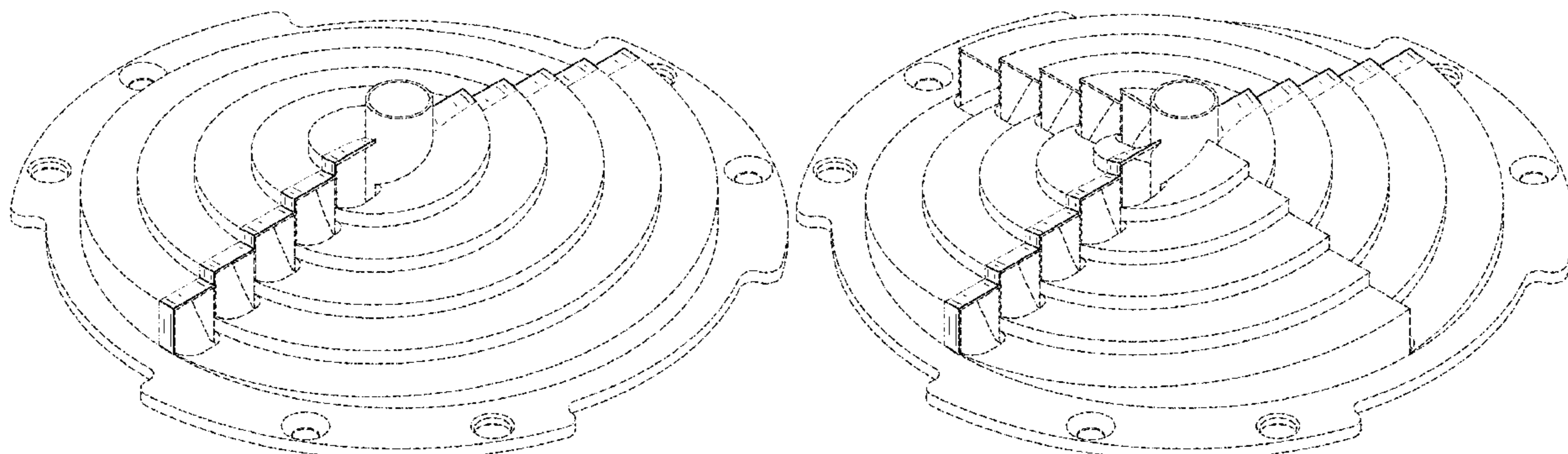
(57) **CLAIM**

The ornamental design for a cutter for food products, as shown and described.

**DESCRIPTION**

FIG. 1 is a top plan view of a cutter for food products.  
 FIG. 2 is a front elevation view of the cutter for food products of FIG. 1.  
 FIG. 3 is a rear elevation view of the cutter for food products of FIG. 1.  
 FIG. 4 is a left side elevation view of the cutter for food products of FIG. 1.  
 FIG. 5 is a right side elevation view of the cutter for food products of FIG. 1.  
 FIG. 6 is an isometric view of the cutter for food products of FIG. 1.  
 FIG. 7 is another isometric view of the cutter for food products of FIG. 1.  
 FIG. 8 is a top plan view of a cutter for food products.  
 FIG. 9 is a front elevation view of the cutter for food products of FIG. 1.  
 FIG. 10 is a rear elevation view of the cutter for food products of FIG. 1.  
 FIG. 11 is a left side elevation view of the cutter for food products of FIG. 1.  
 FIG. 12 is a right side elevation view of the cutter for food products of FIG. 1.  
 FIG. 13 is an isometric view of the cutter for food products of FIG. 1; and,  
 FIG. 14 is another isometric view of the cutter for food products of FIG. 1.  
 Portions of FIGS. 1 through 14 are shown in broken lines and dash-dot-dash boundary lines illustrating portions of the article that form no part of the claimed design.

**1 Claim, 14 Drawing Sheets**



(56)

**References Cited**

U.S. PATENT DOCUMENTS

4,367,667 A \* 1/1983 Shibata ..... B26D 3/22  
241/92  
4,511,586 A \* 4/1985 Fitzwater ..... B26D 3/22  
426/144  
D285,740 S \* 9/1986 Watanabe ..... D1/106  
4,650,684 A \* 3/1987 Penrose ..... A23L 19/18  
426/144  
4,855,151 A \* 8/1989 Fielding ..... A23L 19/18  
426/144  
4,937,084 A \* 6/1990 Julian ..... B26D 1/03  
426/144  
5,009,141 A \* 4/1991 Julian ..... B26D 1/0006  
83/402  
5,058,478 A \* 10/1991 Mendenhall ..... B26D 1/0006  
83/402  
5,095,875 A \* 3/1992 Morris ..... B26D 1/0006  
83/403  
5,293,803 A \* 3/1994 Foster ..... B26D 1/0006  
83/356.3

D374,150 S \* 10/1996 Lillelund ..... D7/387  
D380,885 S \* 7/1997 Goll ..... D1/125  
5,655,428 A \* 8/1997 Cockburn ..... B26D 1/0006  
83/402  
5,896,801 A \* 4/1999 Jacko ..... B26D 3/22  
83/356.3  
6,725,765 B1 \* 4/2004 Mendenhall ..... B26D 1/0006  
83/402  
D495,852 S \* 9/2004 Barber ..... 426/144  
7,096,771 B2 \* 8/2006 Mendenhall ..... B26D 1/0006  
83/402  
7,513,450 B2 \* 4/2009 Young ..... B26D 1/0006  
241/282.1  
D679,140 S \* 4/2013 Faram ..... D7/376  
D701,087 S \* 3/2014 Audette ..... D7/376  
8,939,055 B2 \* 1/2015 Bomont ..... B26D 7/0658  
83/13  
9,592,618 B2 \* 3/2017 Reis ..... B26D 7/2614  
9,840,015 B2 \* 12/2017 King ..... B26D 1/03  
9,943,978 B2 \* 4/2018 Walker ..... A23P 30/10

\* cited by examiner

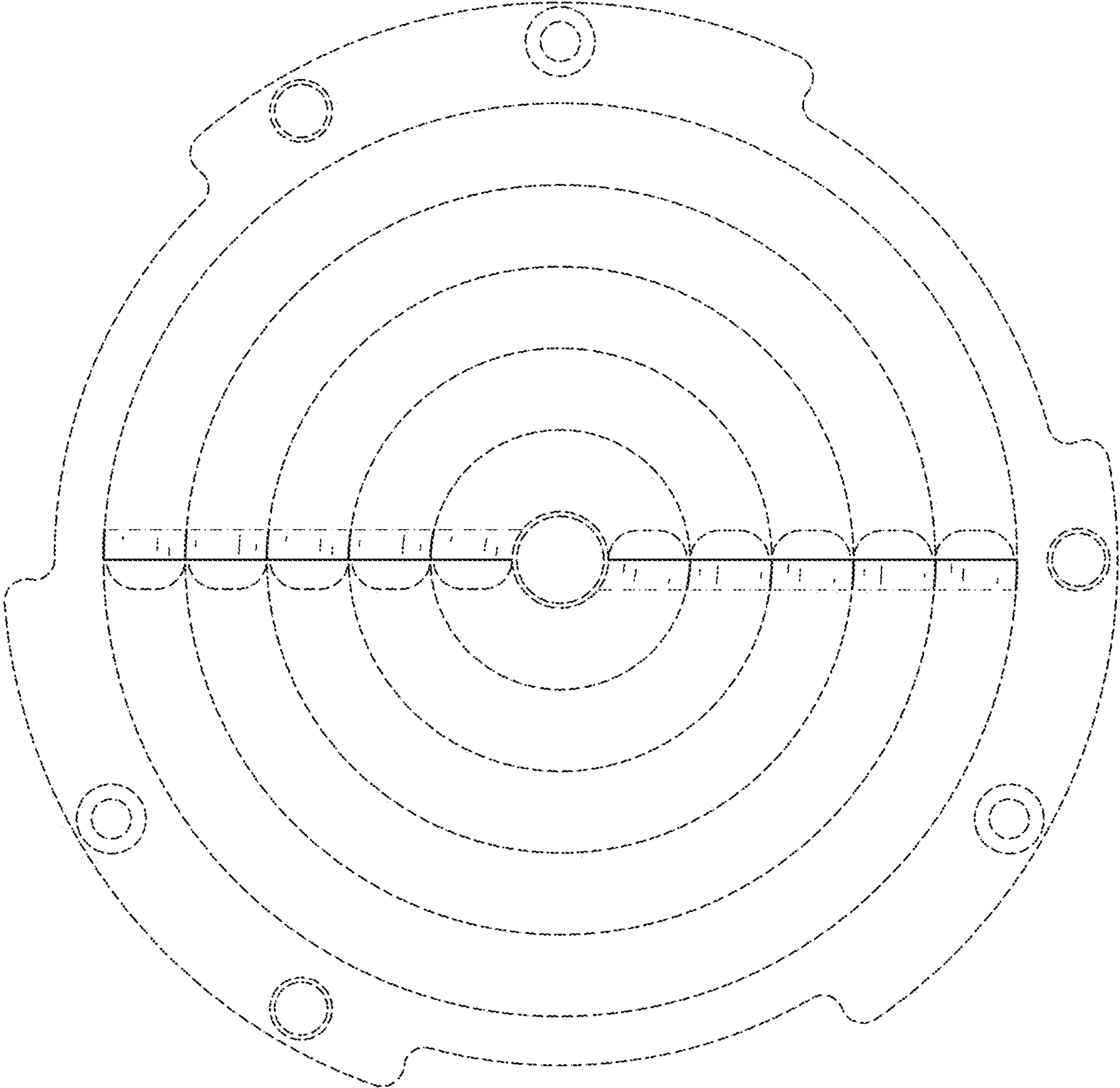
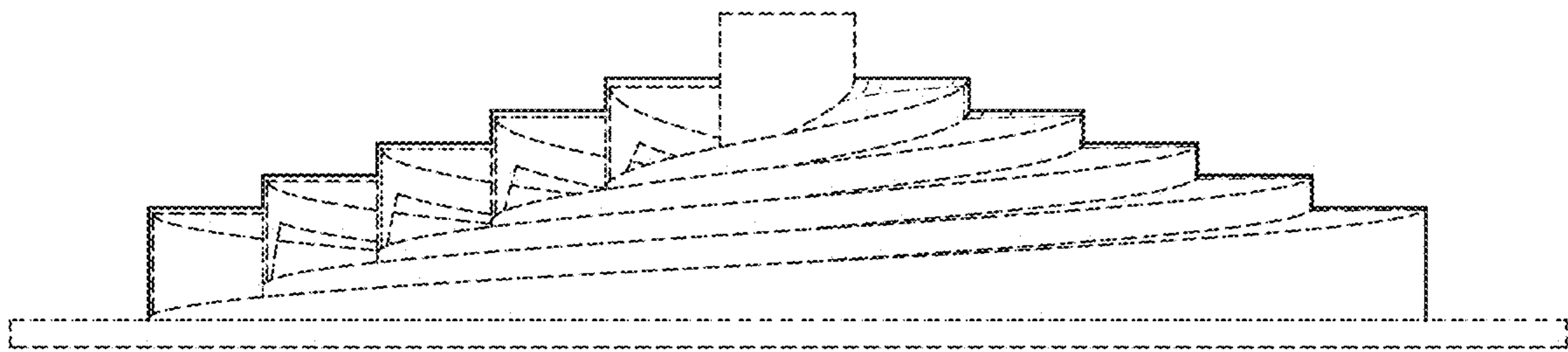


FIG. 1



**FIG. 2**

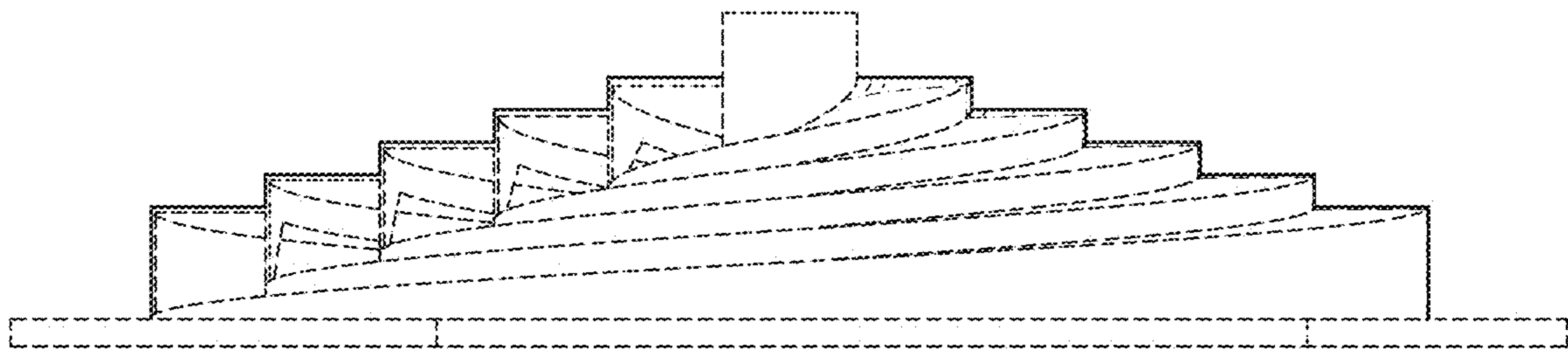


FIG. 3



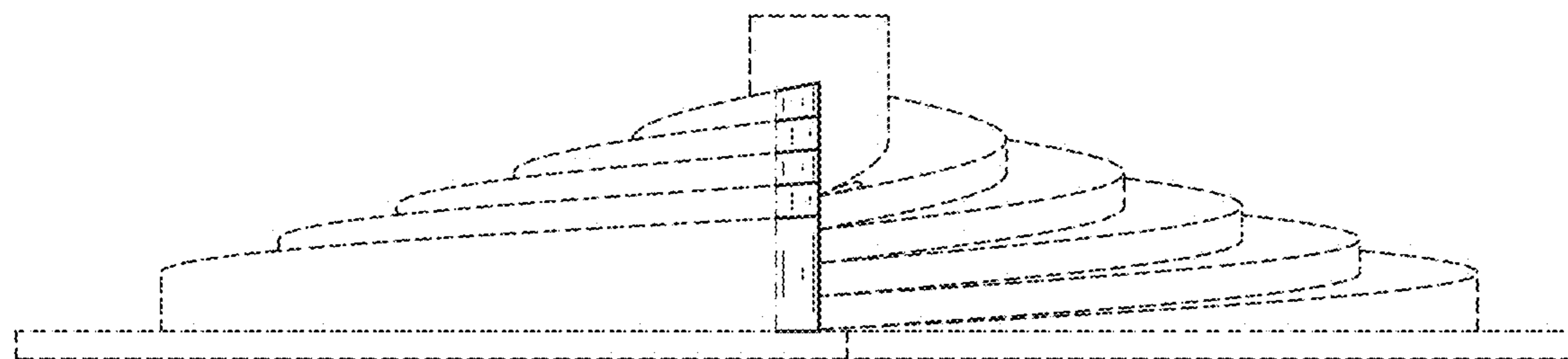
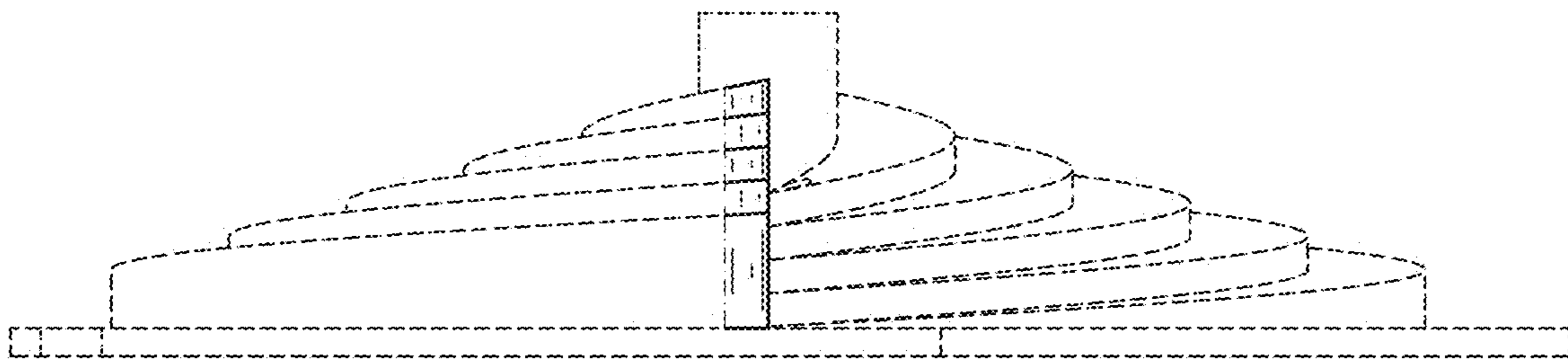


FIG. 4



**FIG. 5**

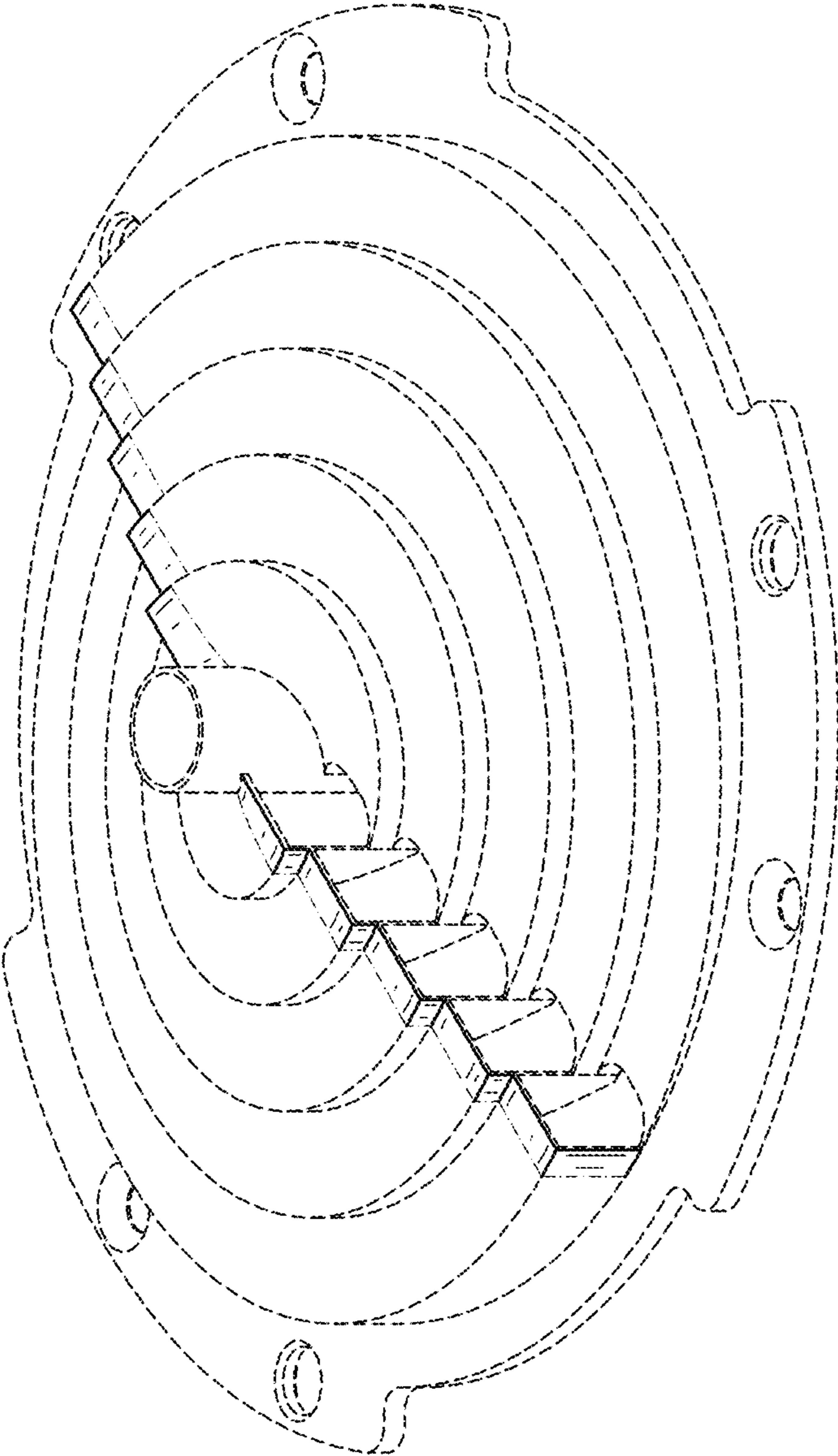


FIG. 6



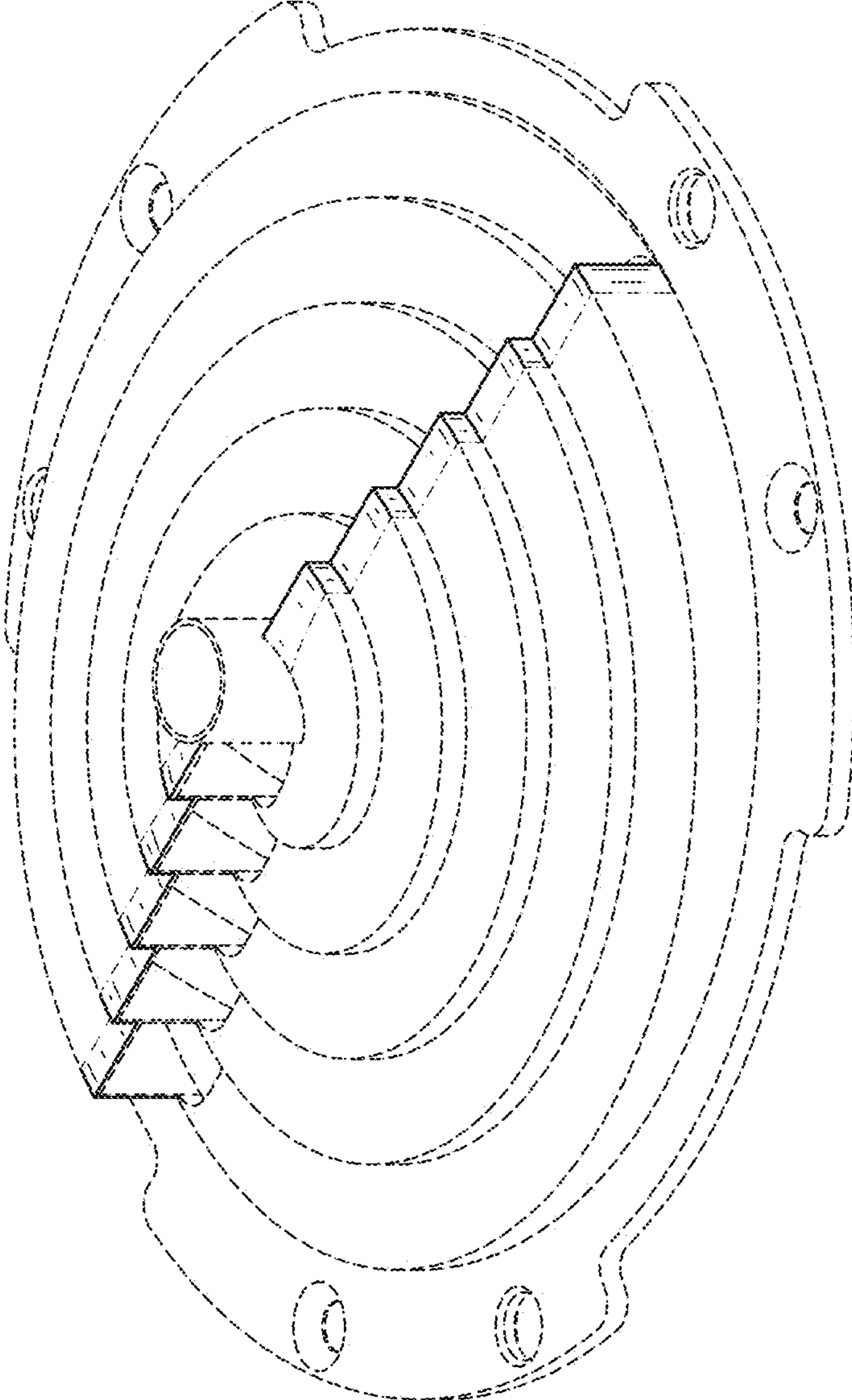


FIG. 7

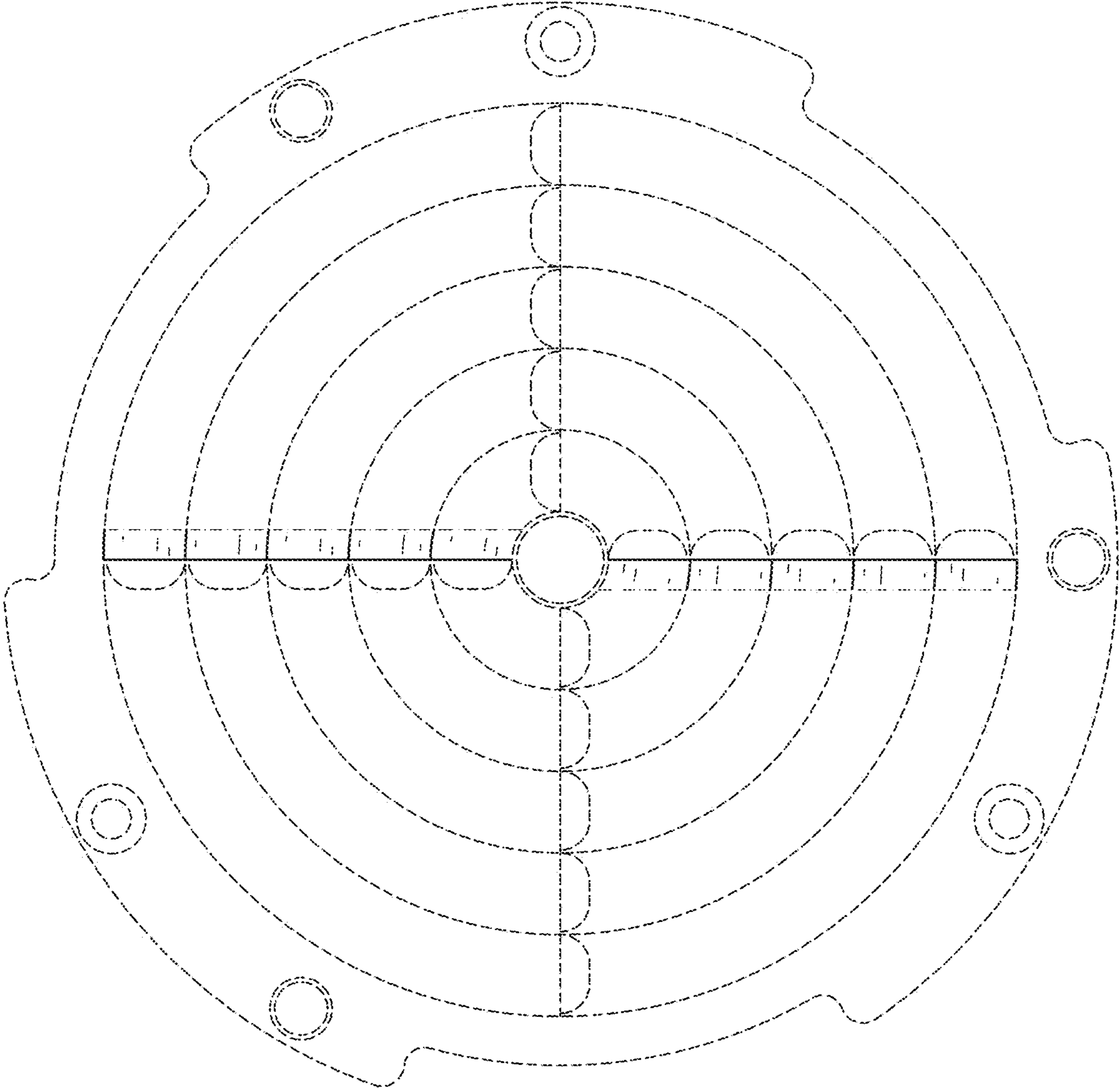
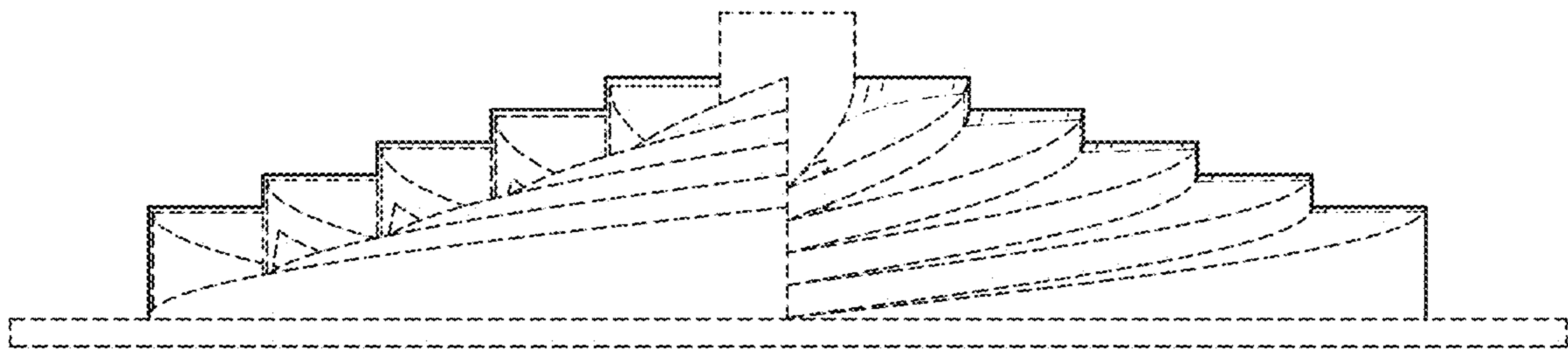
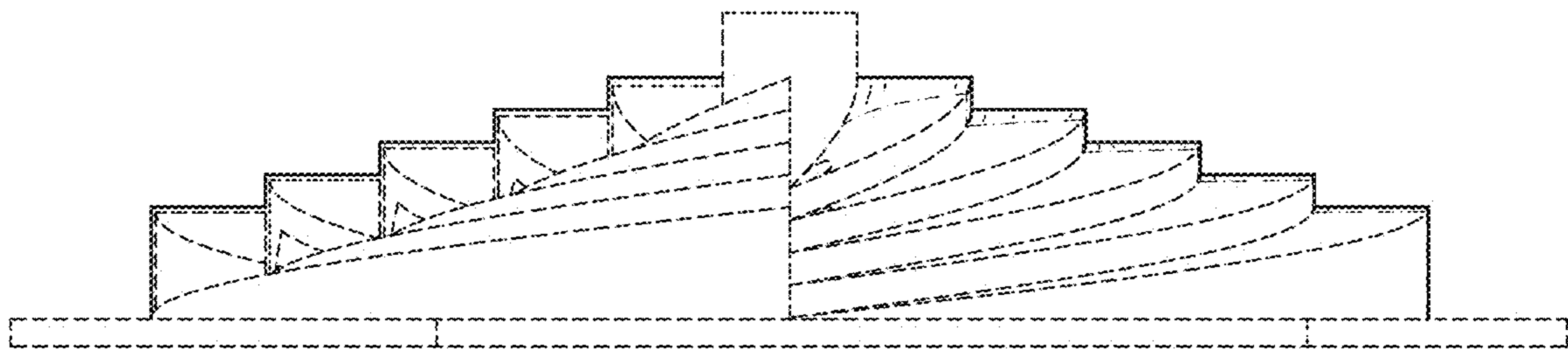


FIG. 8



**FIG. 9**



**FIG. 10**

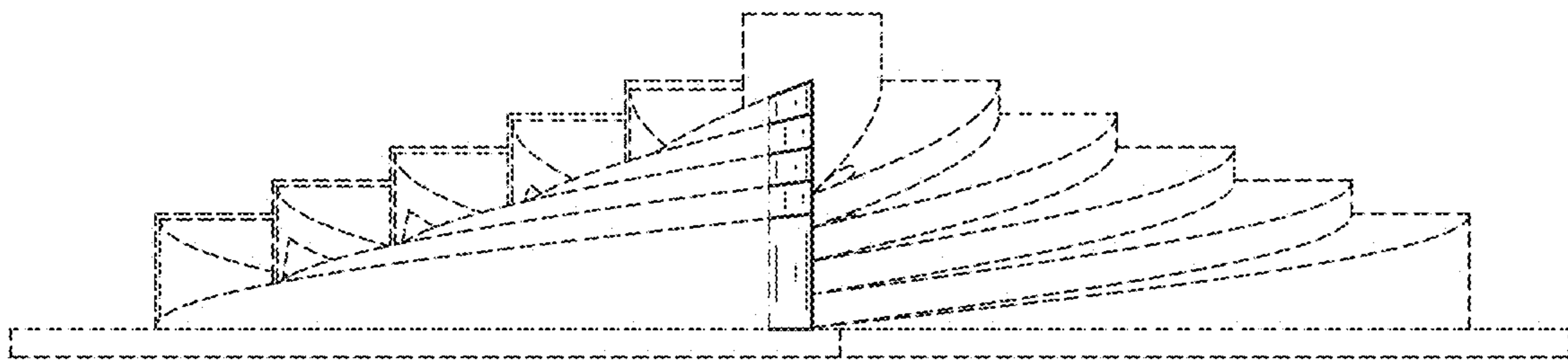
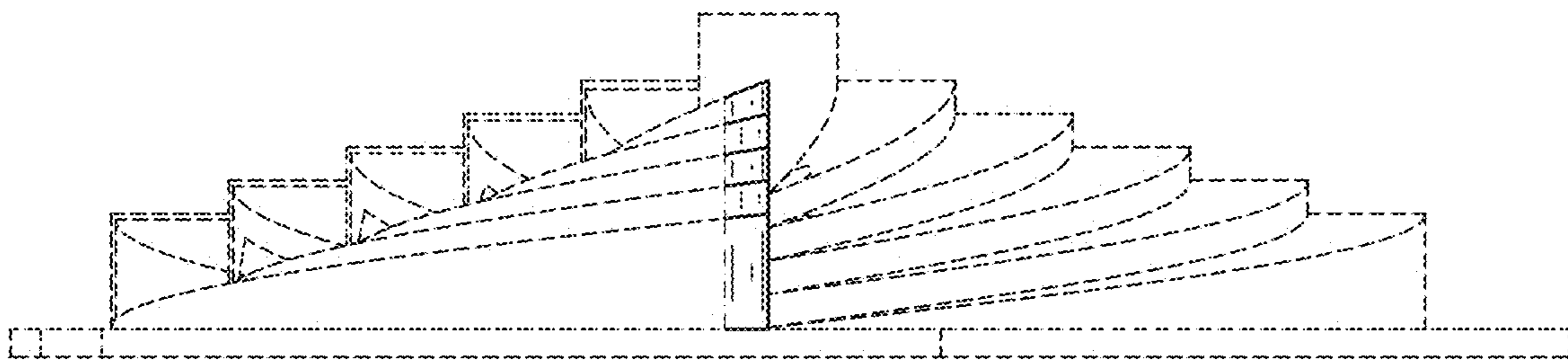


FIG. 11



**FIG. 12**



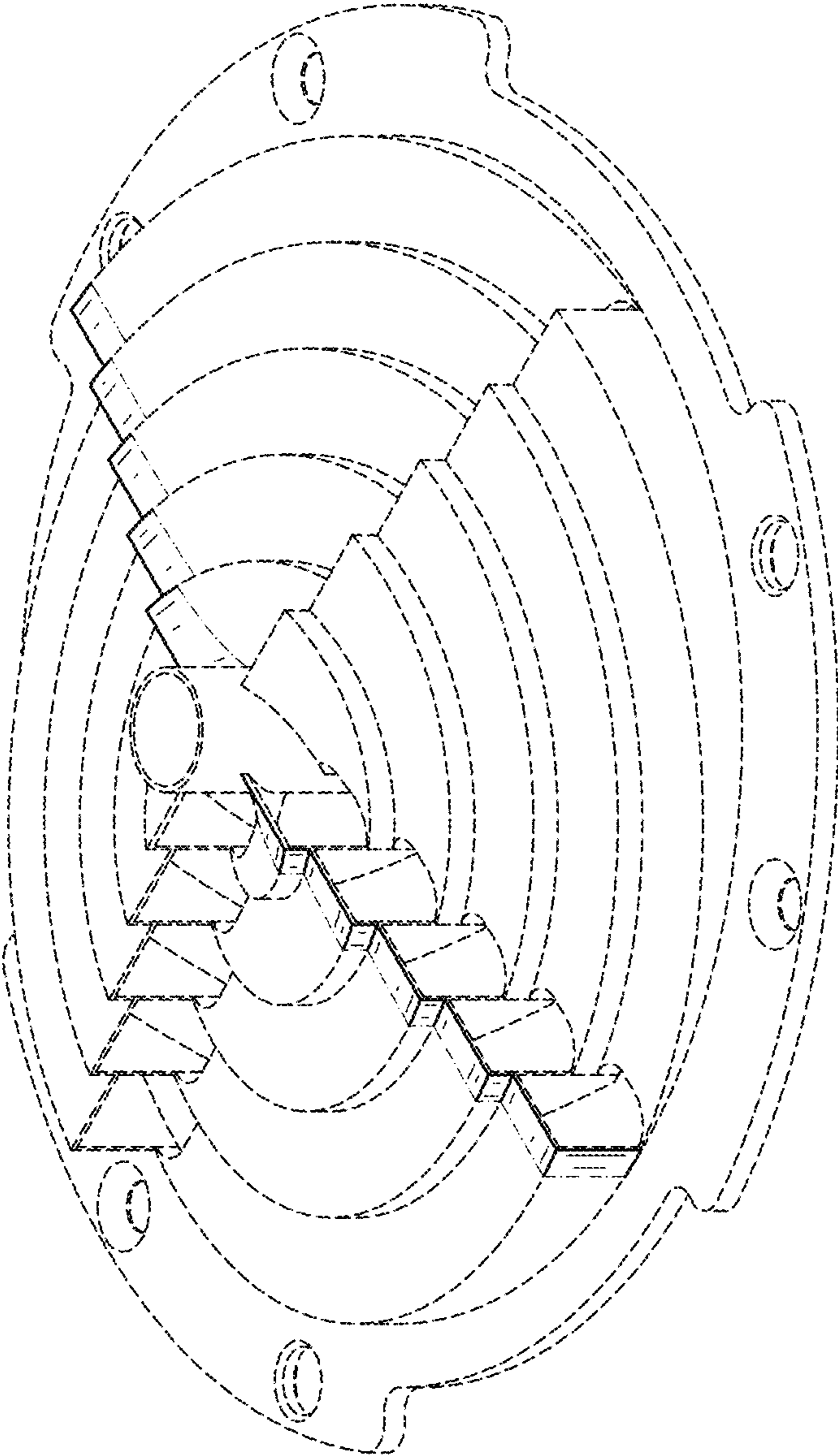


FIG. 13

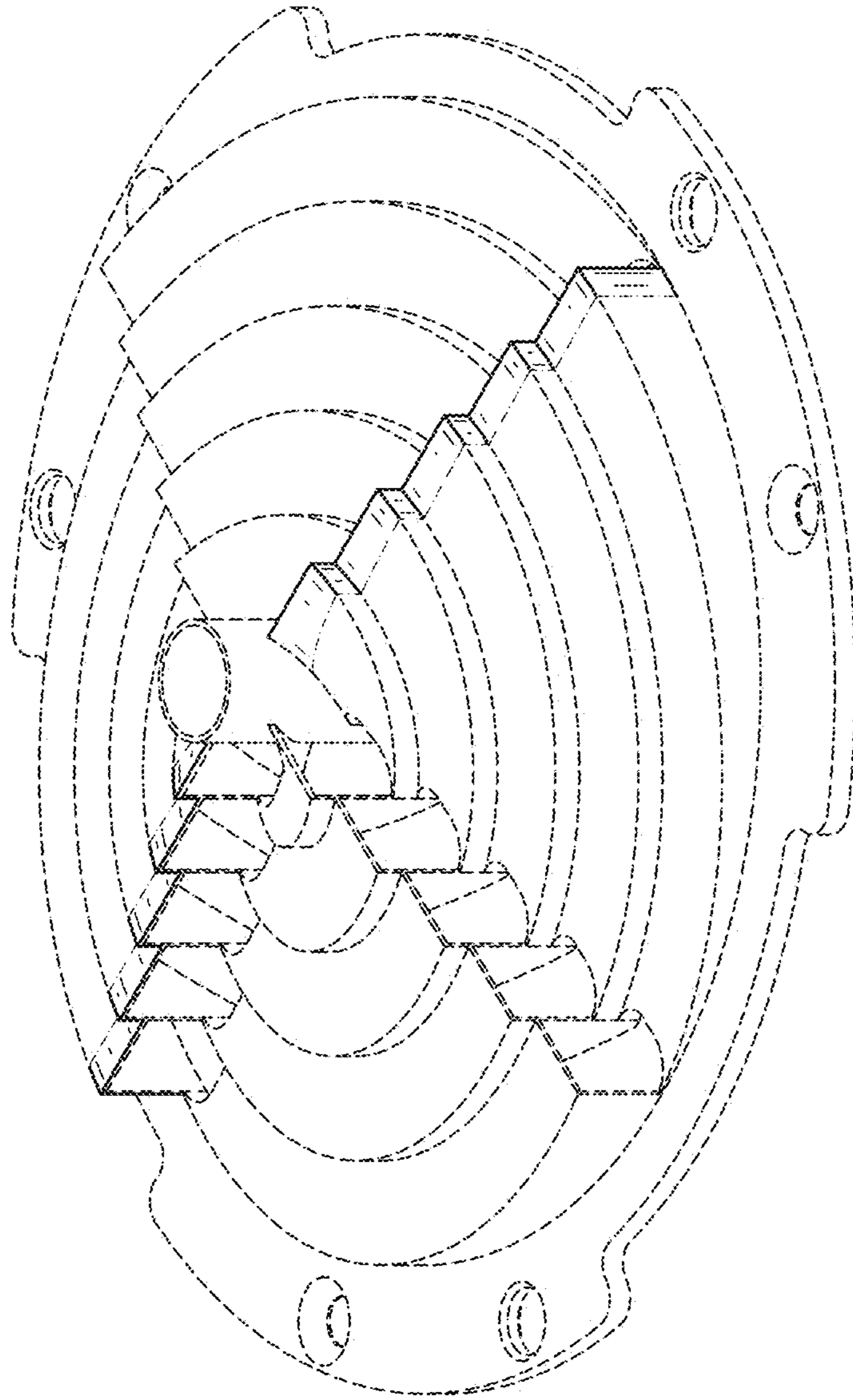


FIG. 14