



US00D894680S

(12) **United States Design Patent** (10) **Patent No.:** **US D894,680 S**
Prior et al. (45) **Date of Patent:** **** Sep. 1, 2020**

- (54) **ROTATABLE GRILLING DEVICE**
- (71) Applicant: **Archipelago Group LLC**, Lakewood, CO (US)
- (72) Inventors: **Bruce Prior**, Lakewood, CO (US);
George Prior, Culver City, CA (US);
Andrew Hunt Taylor, Memphis, TN (US)
- (73) Assignee: **Archipelago Group LLC**, Lakewood, CO (US)
- (**) Term: **15 Years**
- (21) Appl. No.: **29/647,227**
- (22) Filed: **May 10, 2018**

8,430,088 B1 * 4/2013 Gallaher A47J 37/0786
126/150
D700,476 S * 3/2014 Greer D7/409
D716,609 S * 11/2014 Greer D7/409
D822,435 S * 7/2018 George D7/409
D822,436 S * 7/2018 Wereszynski D7/409
D827,372 S * 9/2018 Cielenski D7/408
D863,885 S * 10/2019 Woller D7/409

(Continued)

Primary Examiner — Susan E Krakower

Assistant Examiner — Andrew Kerr

(74) *Attorney, Agent, or Firm* — Olav M. Underdal; IDP Patent Services

(57) **CLAIM**

The ornamental design for a rotatable grilling device, as shown and described.

DESCRIPTION

FIG. 1 is a top perspective view of a rotatable grilling device showing our new design;
 FIG. 2 is a bottom perspective view thereof;
 FIG. 3 is a top plan view thereof;
 FIG. 4 is a bottom plan view thereof;
 FIG. 5 is a front elevational view thereof, the rear being a mirror image thereof;
 FIG. 6 is a right side elevational view thereof, the left side being a mirror image thereof;
 FIG. 7 is a top perspective view thereof, shown in environmental use;
 FIG. 8 is a top perspective view thereof, shown in environmental use, in an open state; and,
 FIG. 9 is a top perspective view thereof, in an open and disassembled state.
 The broken lines shown in FIGS. 7 and 8 are for the purpose of illustrating environmental structure and form no part of the claimed design. The broken lines shown in FIG. 9 represent lead lines and form no part of the claimed design.

Related U.S. Application Data

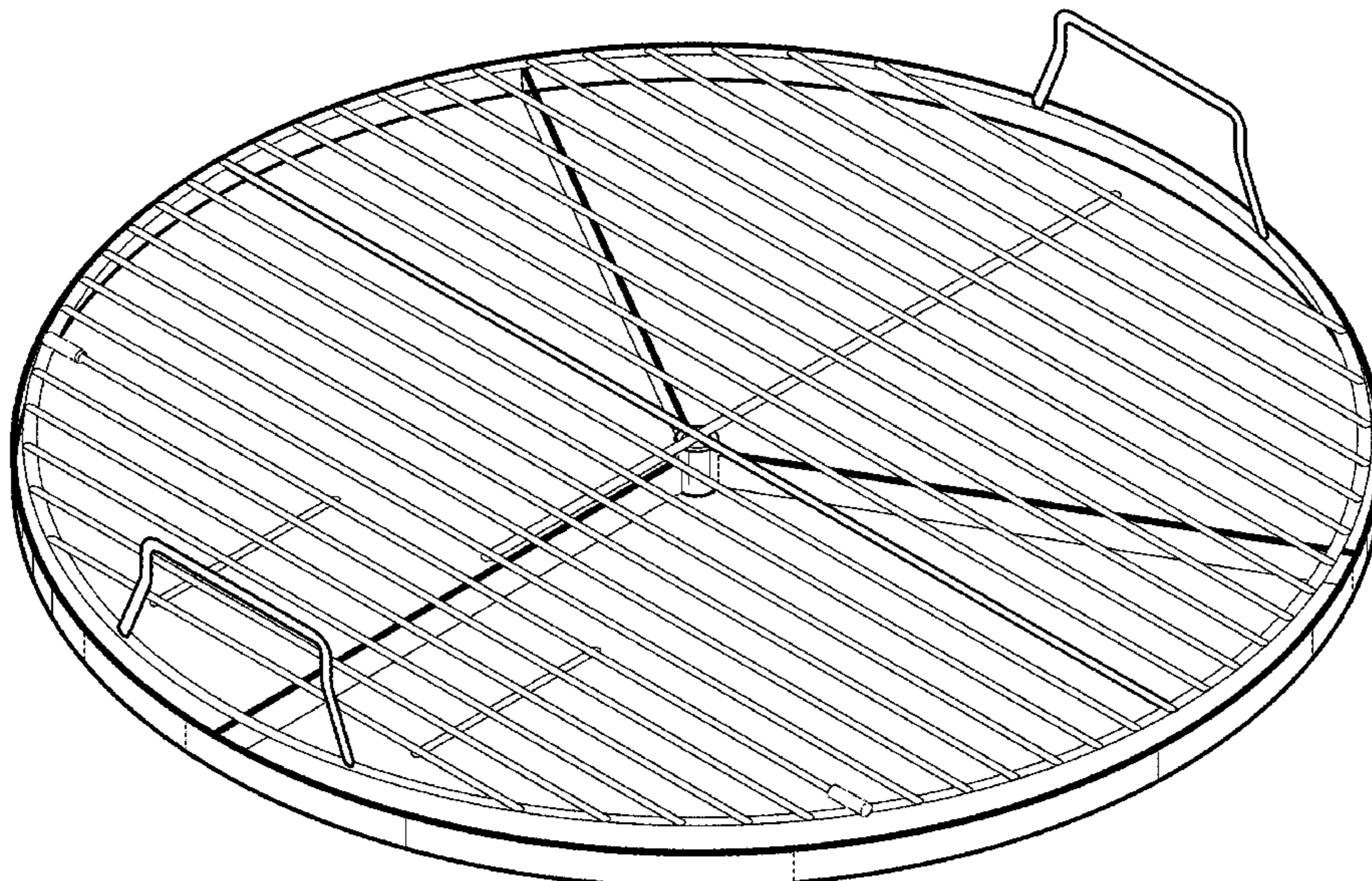
- (63) Continuation-in-part of application No. 15/405,063, filed on Jan. 12, 2017, now abandoned.
- (51) **LOC (12) Cl.** **07-99**
- (52) **U.S. Cl.**
USPC **D7/409; D7/408**
- (58) **Field of Classification Search**
USPC D7/323, 332, 335-337, 354-355,
D7/359-364, 387, 388, 402, 407-409
CPC A47J 37/00; A47J 37/06; A47J 37/0694;
A47J 37/07; A21B 3/00; A21B 3/02
See application file for complete search history.

References Cited

U.S. PATENT DOCUMENTS

- 3,937,138 A * 2/1976 Tidwell A47J 37/067
99/450
- D374,378 S * 10/1996 Hyden D7/402
- 6,929,001 B2 * 8/2005 Yoon A47J 37/0704
126/25 AA
- D650,227 S * 12/2011 Walker D7/354

1 Claim, 8 Drawing Sheets



(56)

References Cited

U.S. PATENT DOCUMENTS

2009/0064872 A1* 3/2009 Zisseron A47J 37/0694
99/450
2013/0055506 A1* 3/2013 Greer A47J 37/0786
7/109

* cited by examiner

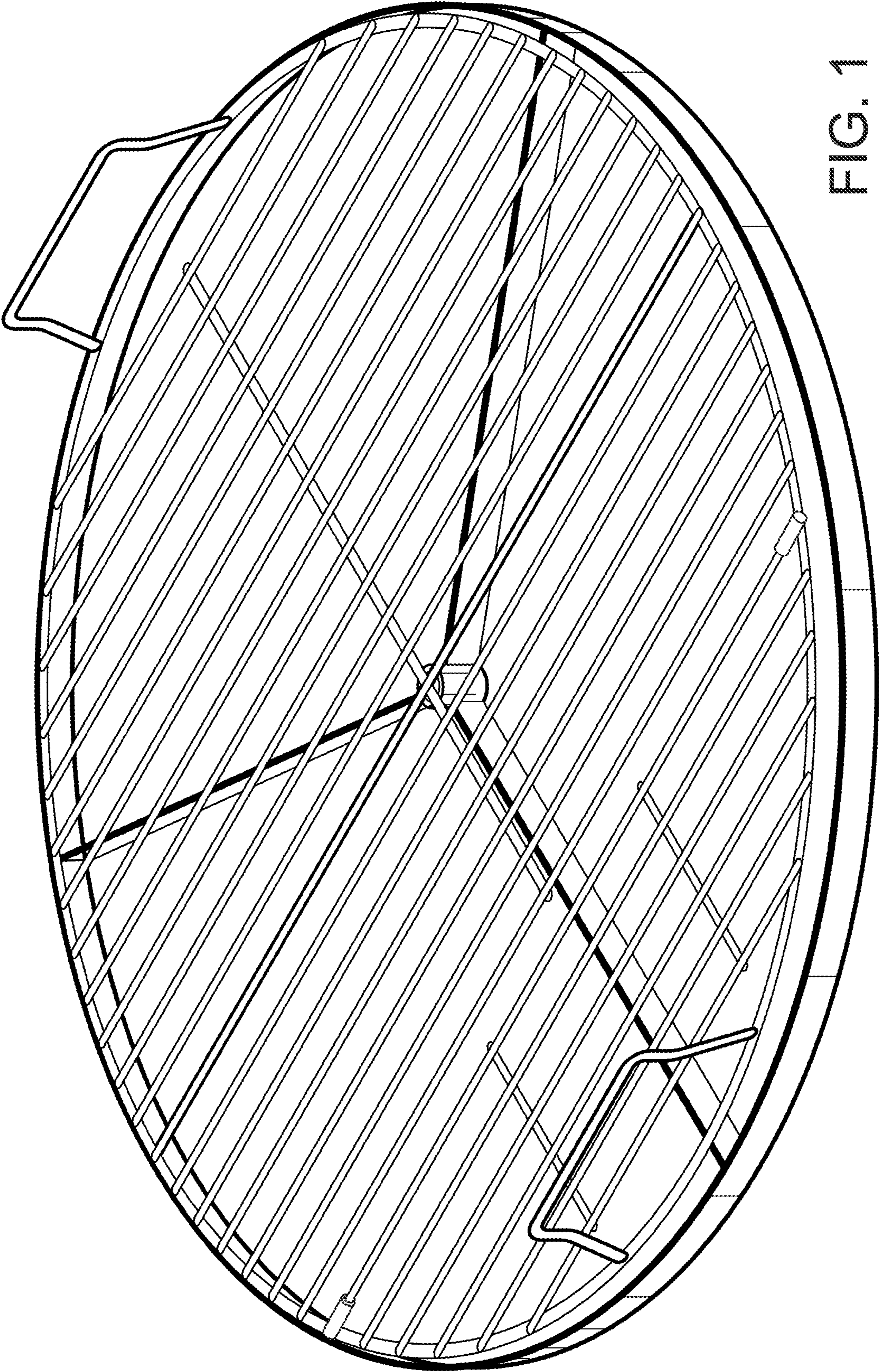


FIG. 1

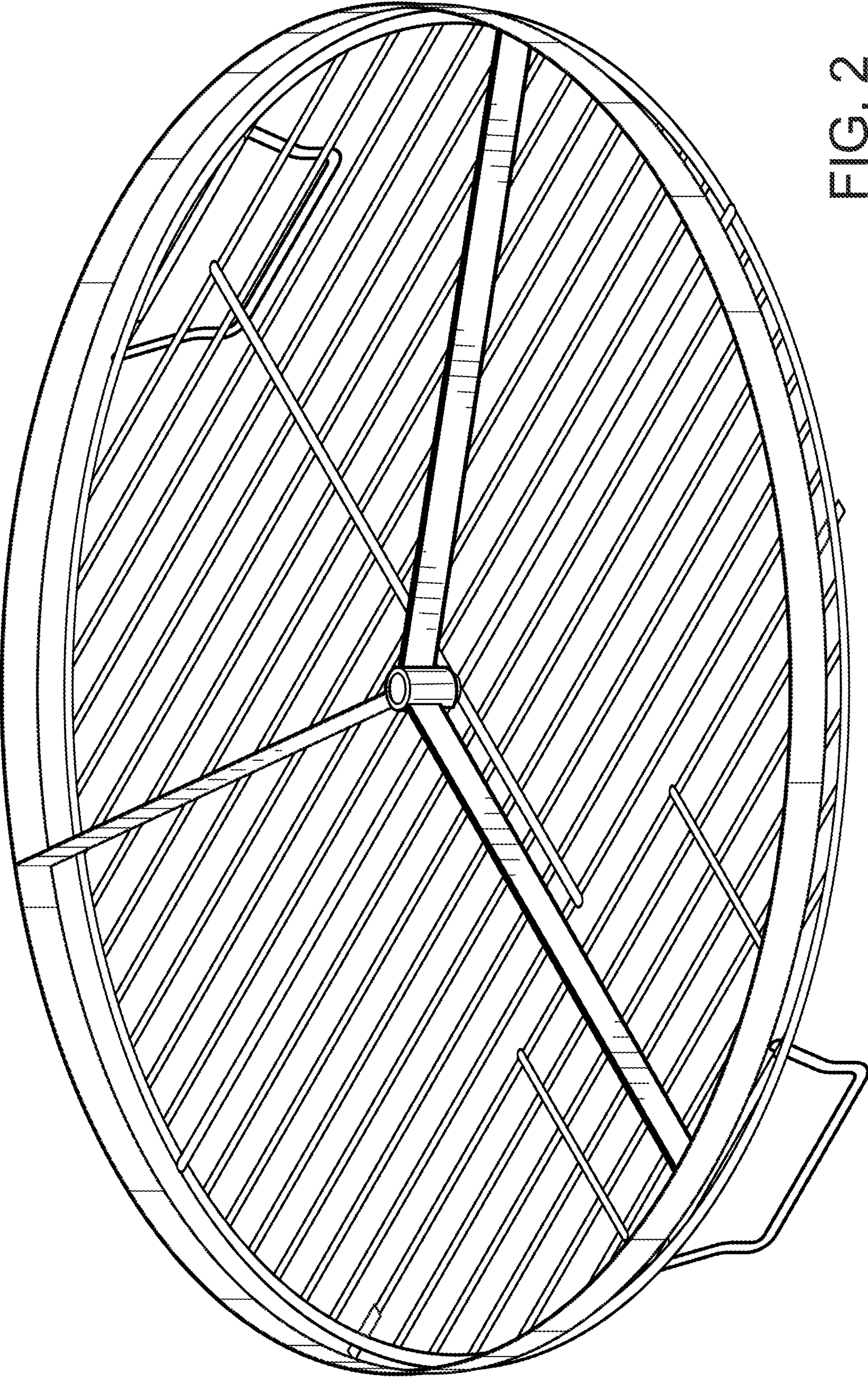


FIG. 2

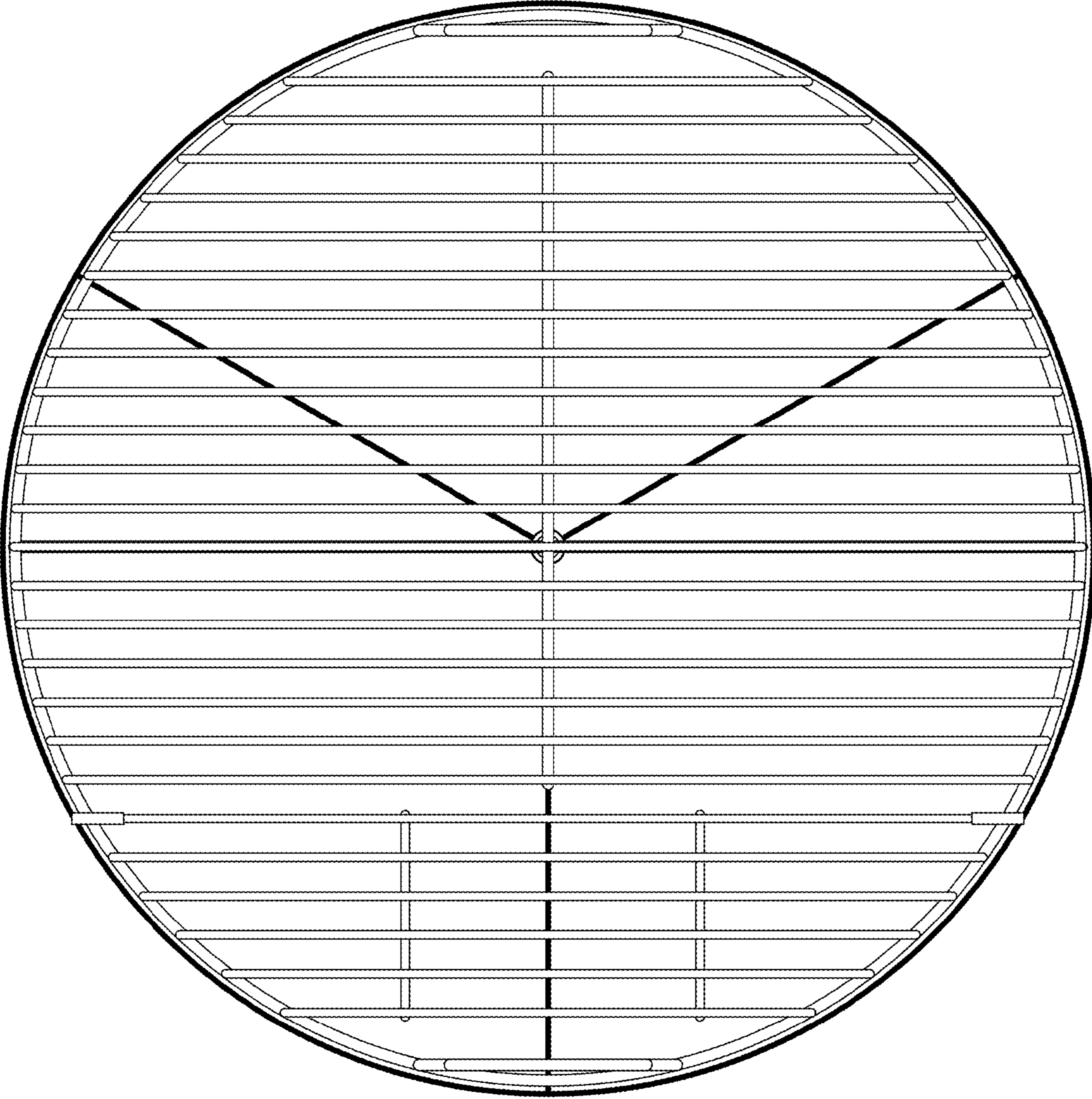


FIG. 3

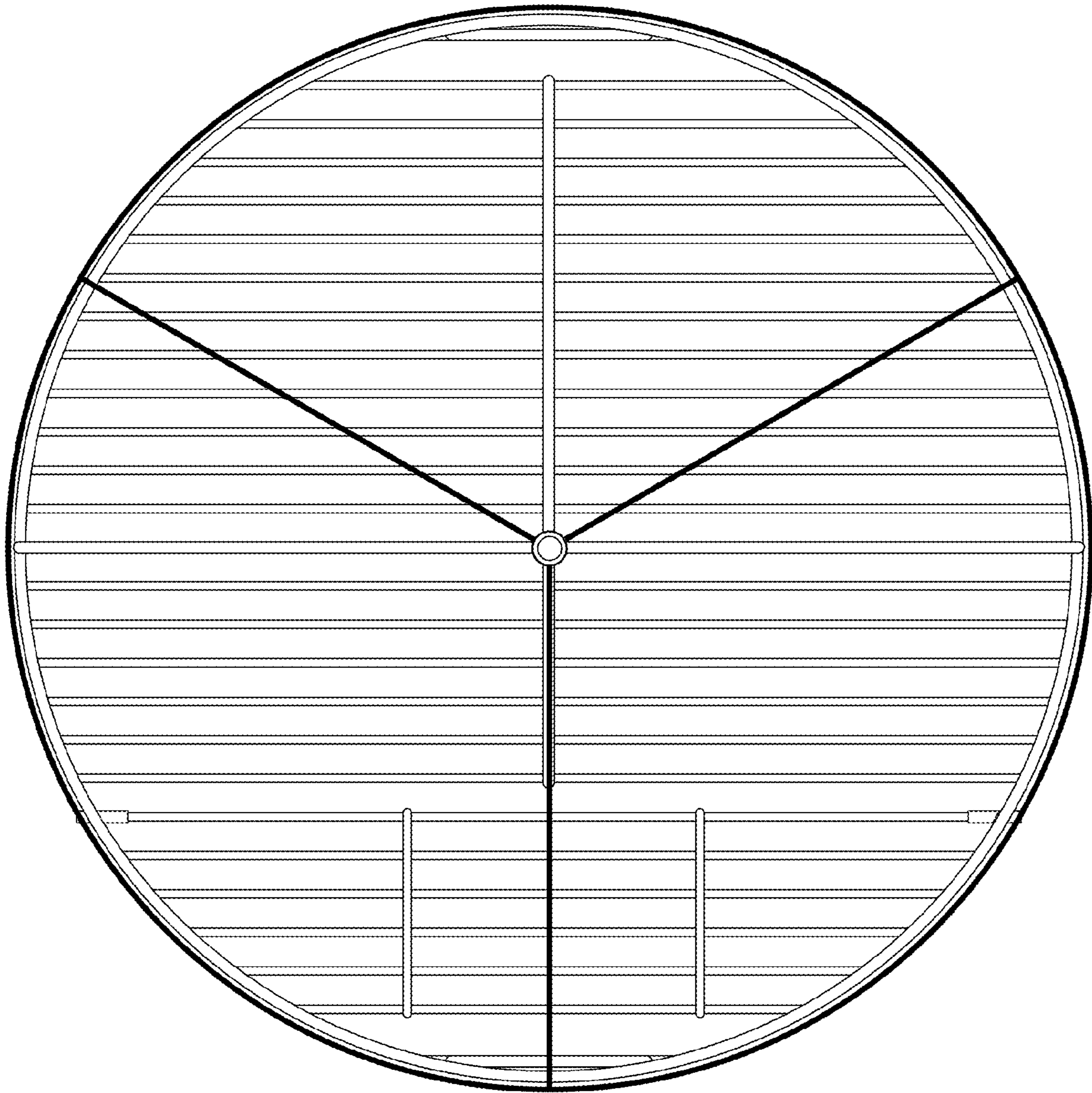


FIG. 4

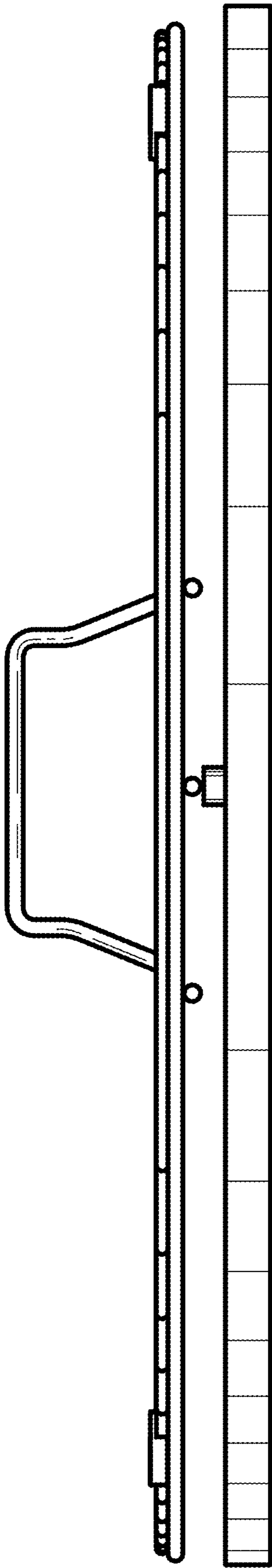


FIG. 5

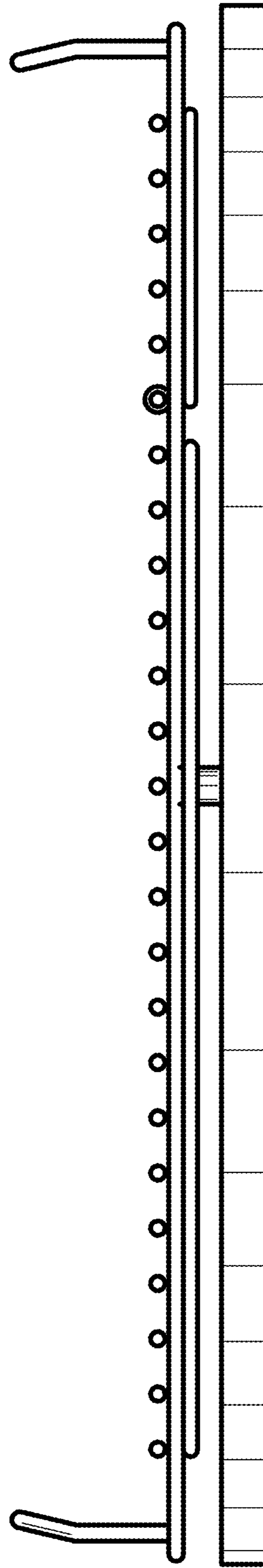


FIG. 6

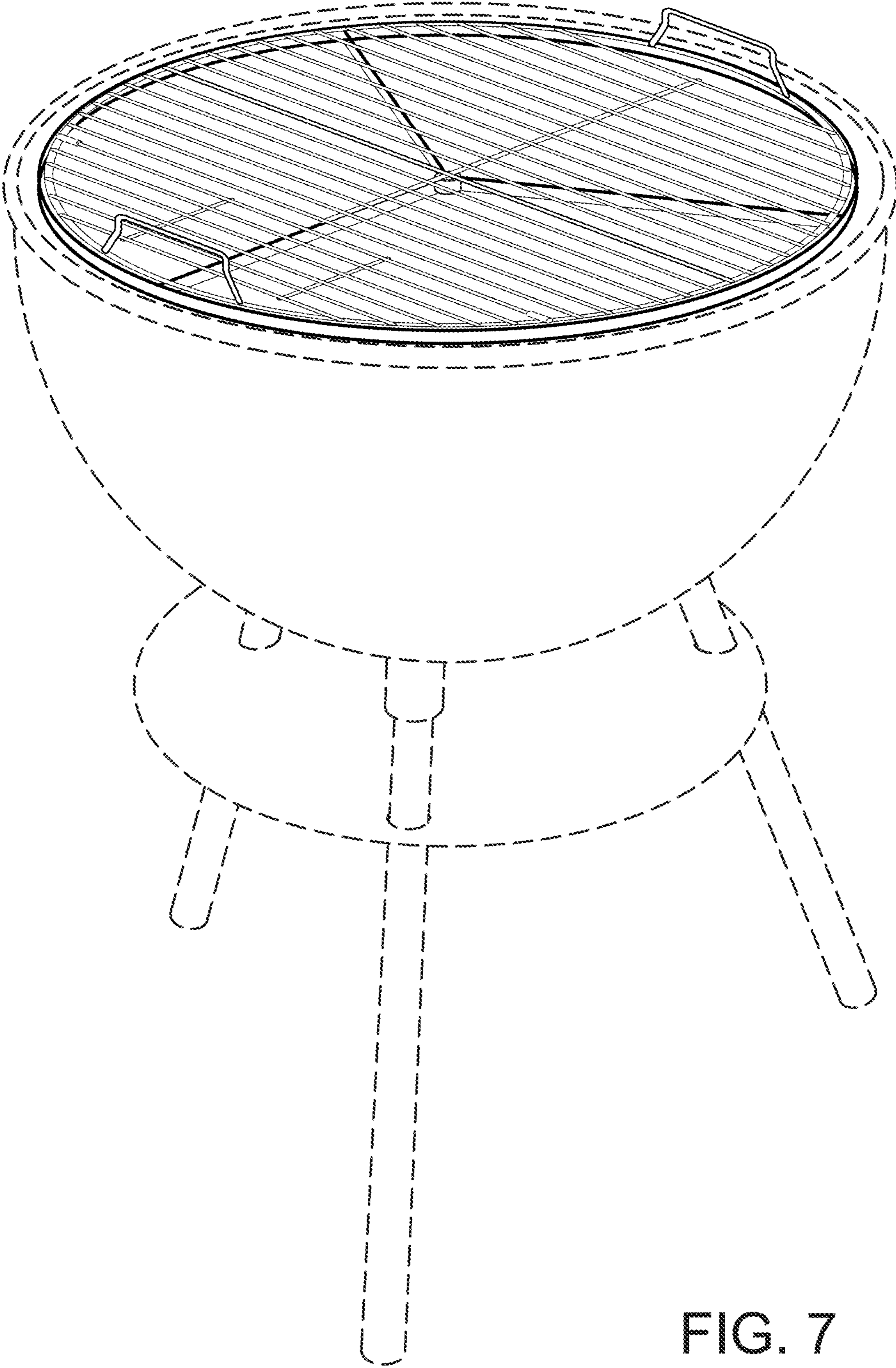


FIG. 7

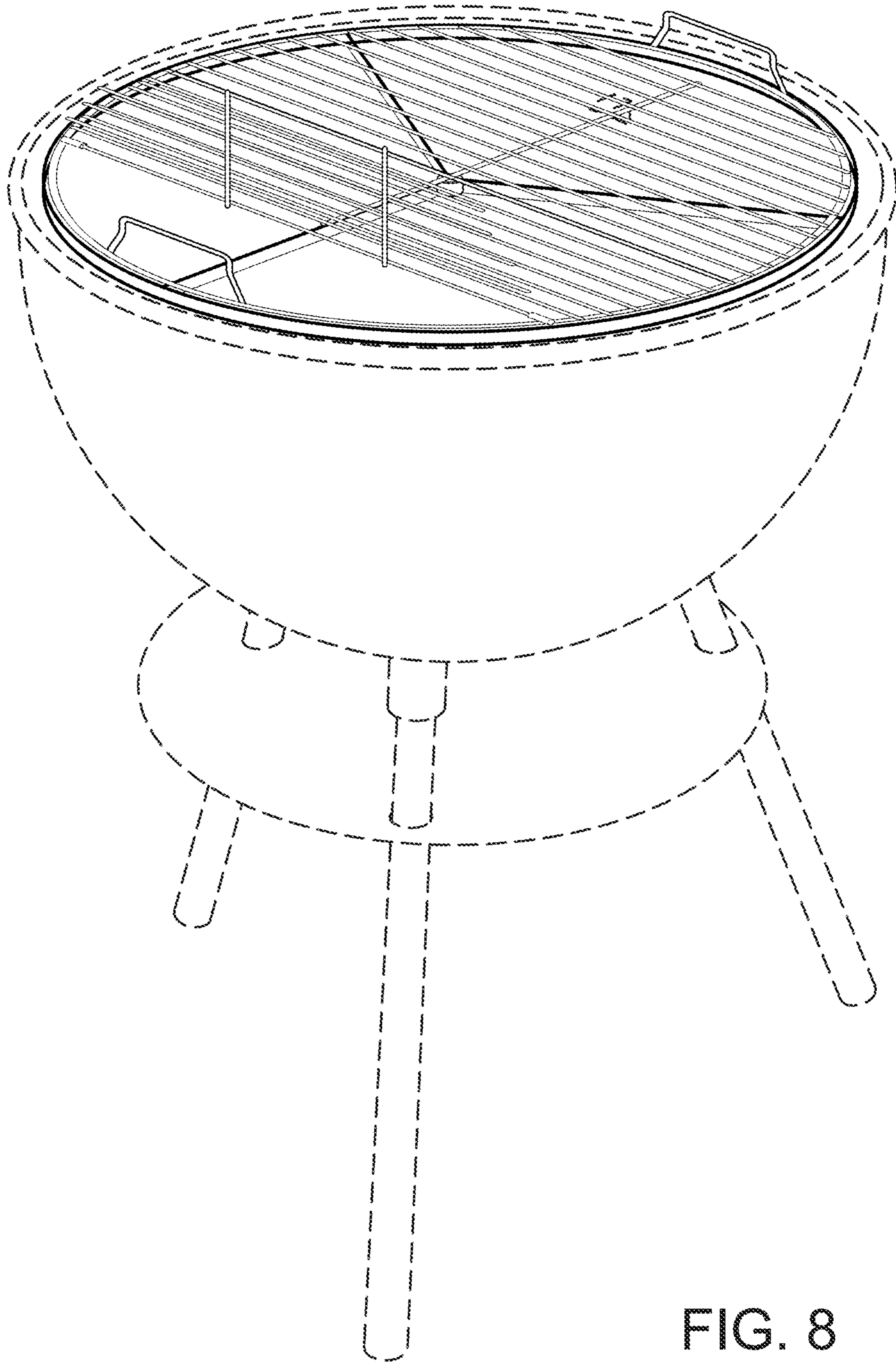


FIG. 8

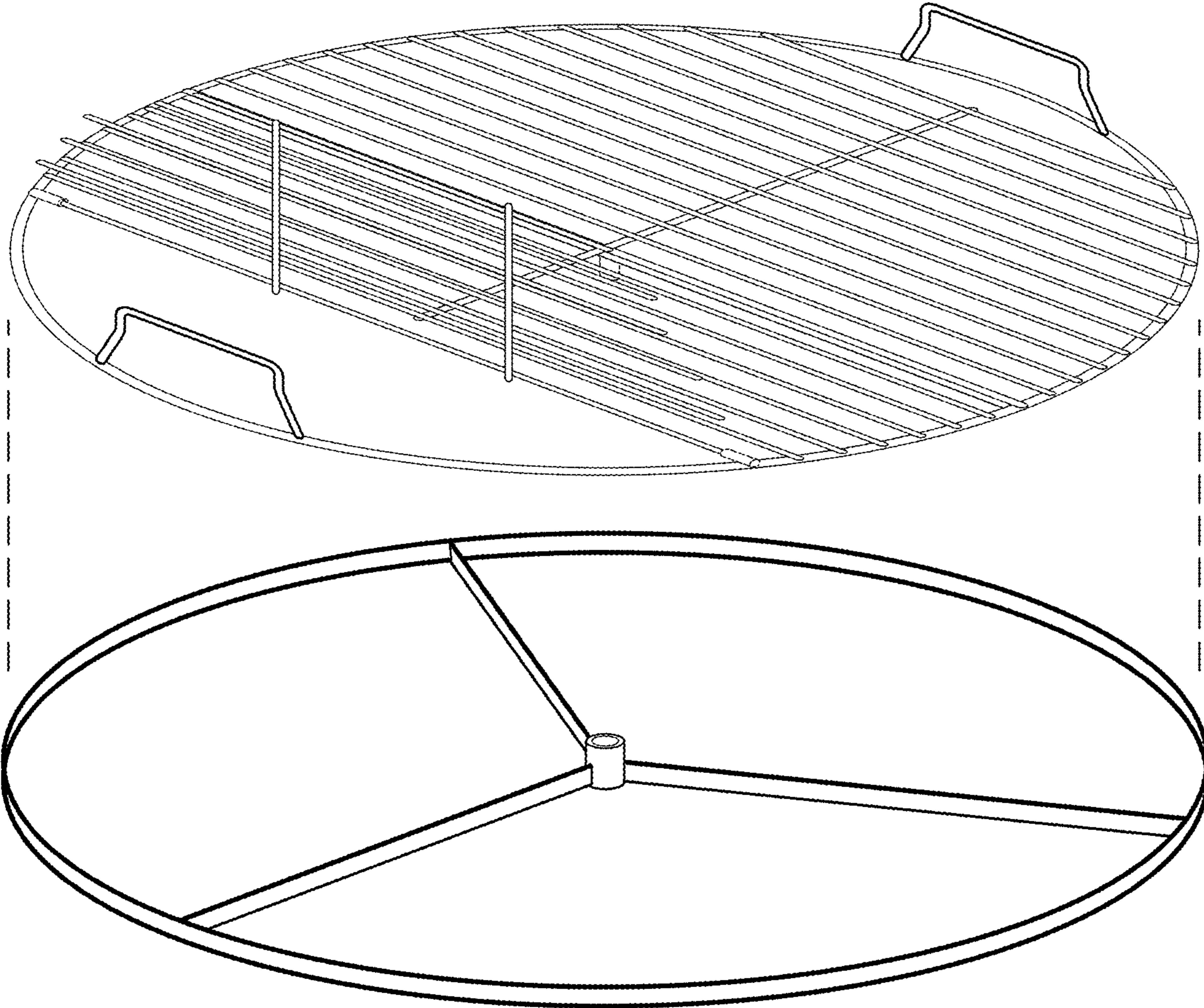


FIG. 9