



US00D894679S

(12) **United States Design Patent** (10) **Patent No.:** **US D894,679 S**  
**Cheng** (45) **Date of Patent:** **\*\* Sep. 1, 2020**

(54) **KETTLE BASE**  
 (71) Applicant: **Han Cheng**, Duluth, GA (US)  
 (72) Inventor: **Han Cheng**, Duluth, GA (US)  
 (\*\*) Term: **15 Years**  
 (21) Appl. No.: **29/679,624**  
 (22) Filed: **Feb. 7, 2019**  
 (51) **LOC (12) Cl.** ..... **07-99**  
 (52) **U.S. Cl.**  
 USPC ..... **D7/403**  
 (58) **Field of Classification Search**  
 USPC ..... D7/402-404, 412-415, 354, 584, 586,  
 D7/602, 603, 630; D30/121, 122, 129,  
 D30/133; D9/424, 431  
 CPC .... A47G 19/02; A47G 19/027; A47G 19/127;  
 A47G 19/12; A47G 19/2288; A47G  
 23/02; A47G 23/04; A47G 23/0241; A47J  
 27/21041; A01K 5/01; A01K 5/0114;  
 A45F 2200/0583  
 See application file for complete search history.

(56) **References Cited**  
 U.S. PATENT DOCUMENTS  
 5,979,361 A \* 11/1999 Willinger ..... A01K 5/0135  
 119/61.54  
 6,227,144 B1 \* 5/2001 Quintero ..... A01K 5/0142  
 119/66  
 D443,395 S \* 6/2001 Suns ..... D30/129  
 D446,362 S \* 8/2001 Choi ..... A01K 5/0135  
 D30/129  
 6,516,747 B1 \* 2/2003 Willinger ..... A01K 5/0114  
 119/61.54  
 D648,492 S \* 11/2011 Able ..... D30/129

D659,296 S \* 5/2012 Anderson ..... D30/129  
 D718,004 S \* 11/2014 Stovall ..... D30/129  
 D757,373 S \* 5/2016 Breit ..... D30/129  
 D805,700 S \* 12/2017 Owens, III ..... D30/129  
 D833,088 S \* 11/2018 Lu ..... D30/129  
 D868,391 S \* 11/2019 Townsend ..... D30/129  
 2004/0231607 A1 \* 11/2004 Hollinger ..... A01K 5/0114  
 119/61.54  
 2004/0244703 A1 \* 12/2004 Lehman ..... A01K 5/0142  
 119/61.53  
 2012/0222624 A1 \* 9/2012 Lanter ..... A01K 5/0114  
 119/61.52  
 2018/0014505 A1 \* 1/2018 MacNeil ..... A01K 7/005  
 \* cited by examiner

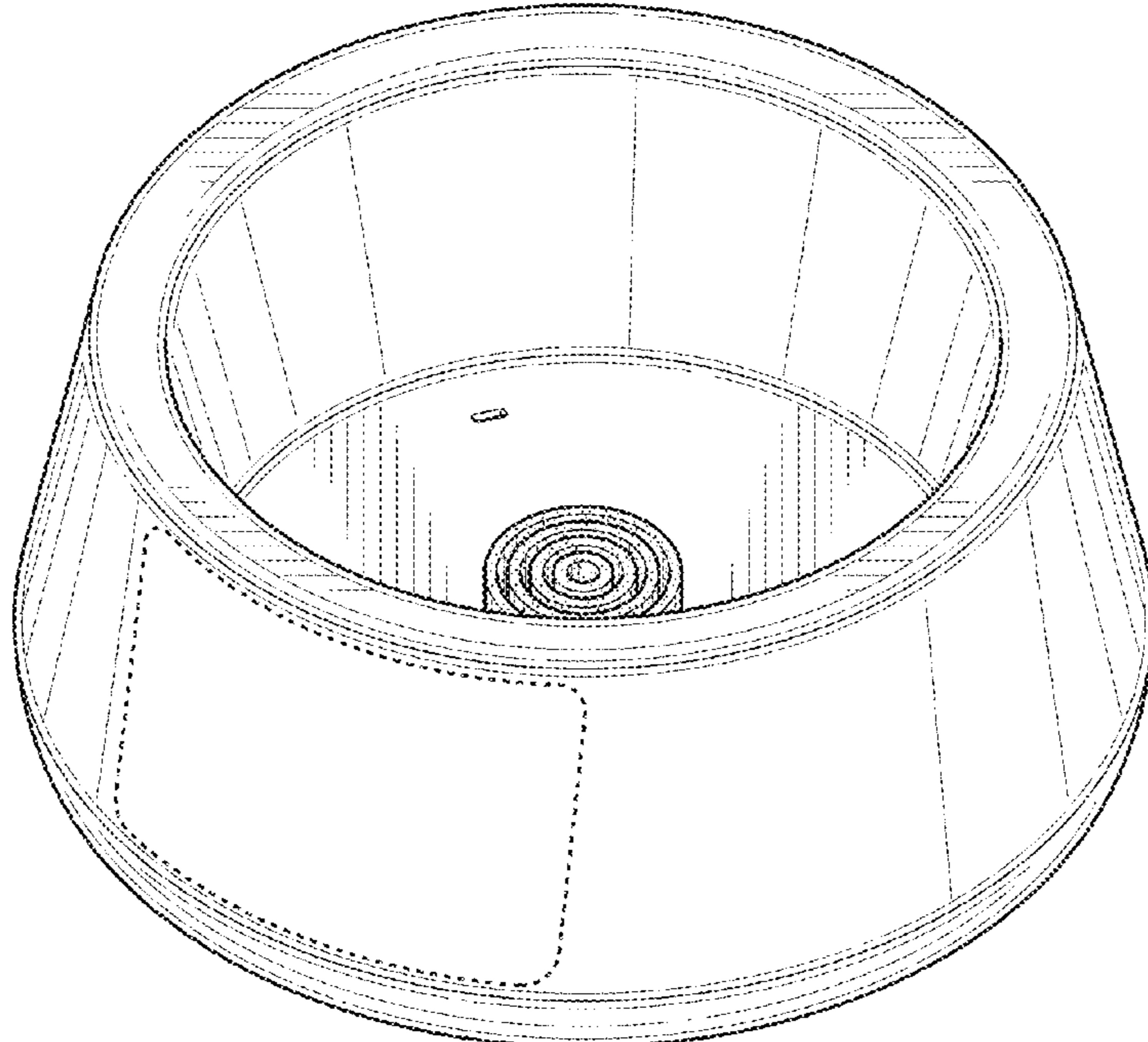
*Primary Examiner* — Susan E Krakower  
*Assistant Examiner* — Andrew Kerr  
 (74) *Attorney, Agent, or Firm* — Camuti Law Group,  
 APC; Nathan B. Camuti

(57) **CLAIM**  
 The ornamental design for a kettle base, as shown and  
 described.

**DESCRIPTION**

FIG. 1 is a perspective view of a kettle base, showing my  
 new design;  
 FIG. 2 shows a right side view of the kettle base of FIG. 1;  
 FIG. 3 shows a left side view of the kettle base of FIG. 1;  
 FIG. 4 shows a rear view of the kettle base of FIG. 1;  
 FIG. 5 shows a front view of the kettle base of FIG. 1;  
 FIG. 6 shows a top view of the kettle base of FIG. 1; and,  
 FIG. 7 shows a bottom view of the kettle base of FIG. 1.  
 The broken lines showing portions of the kettle base are for  
 the purpose of illustrating environmental structure and form  
 no part of the claimed design.

**1 Claim, 4 Drawing Sheets**



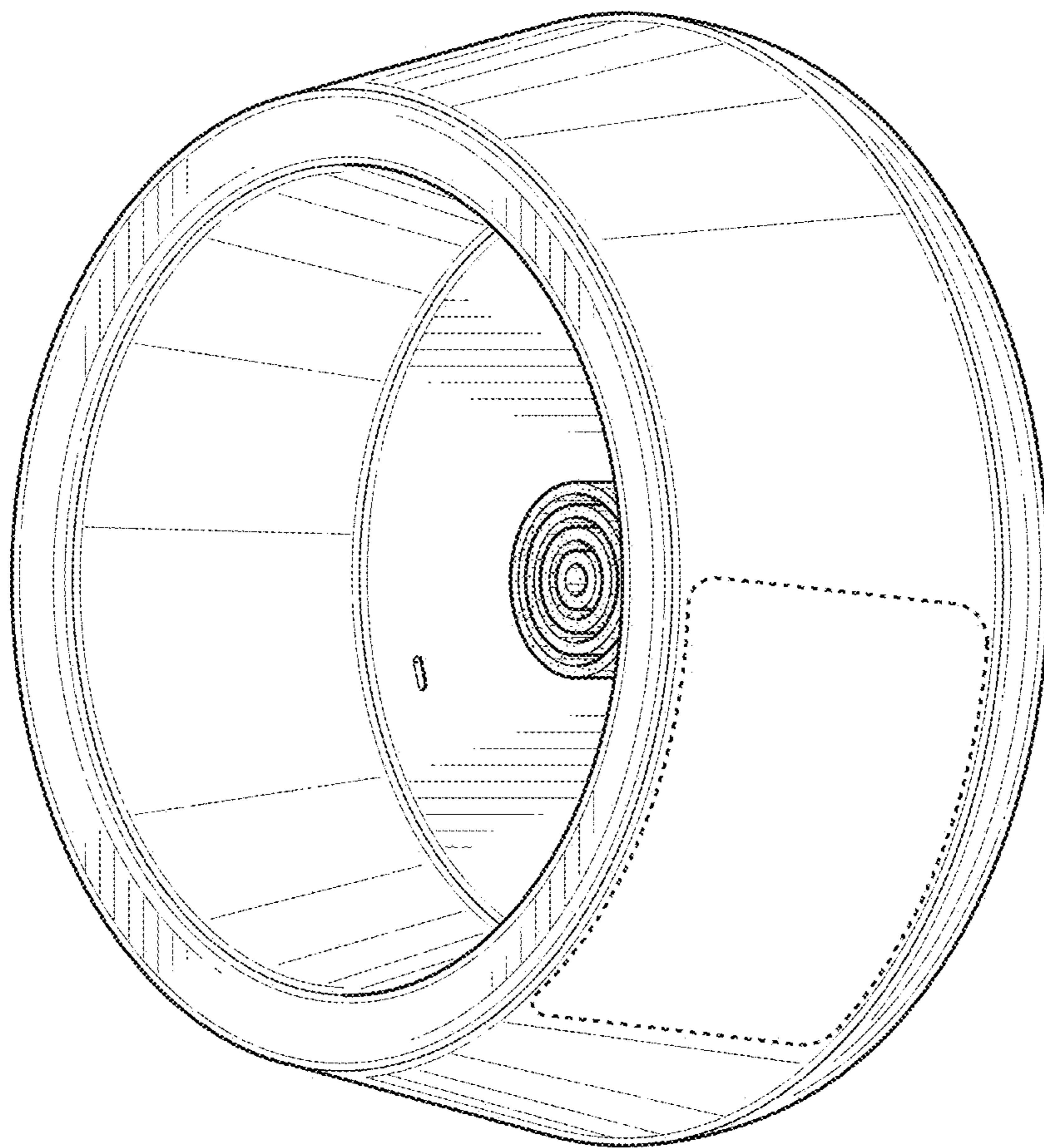


FIG. 1

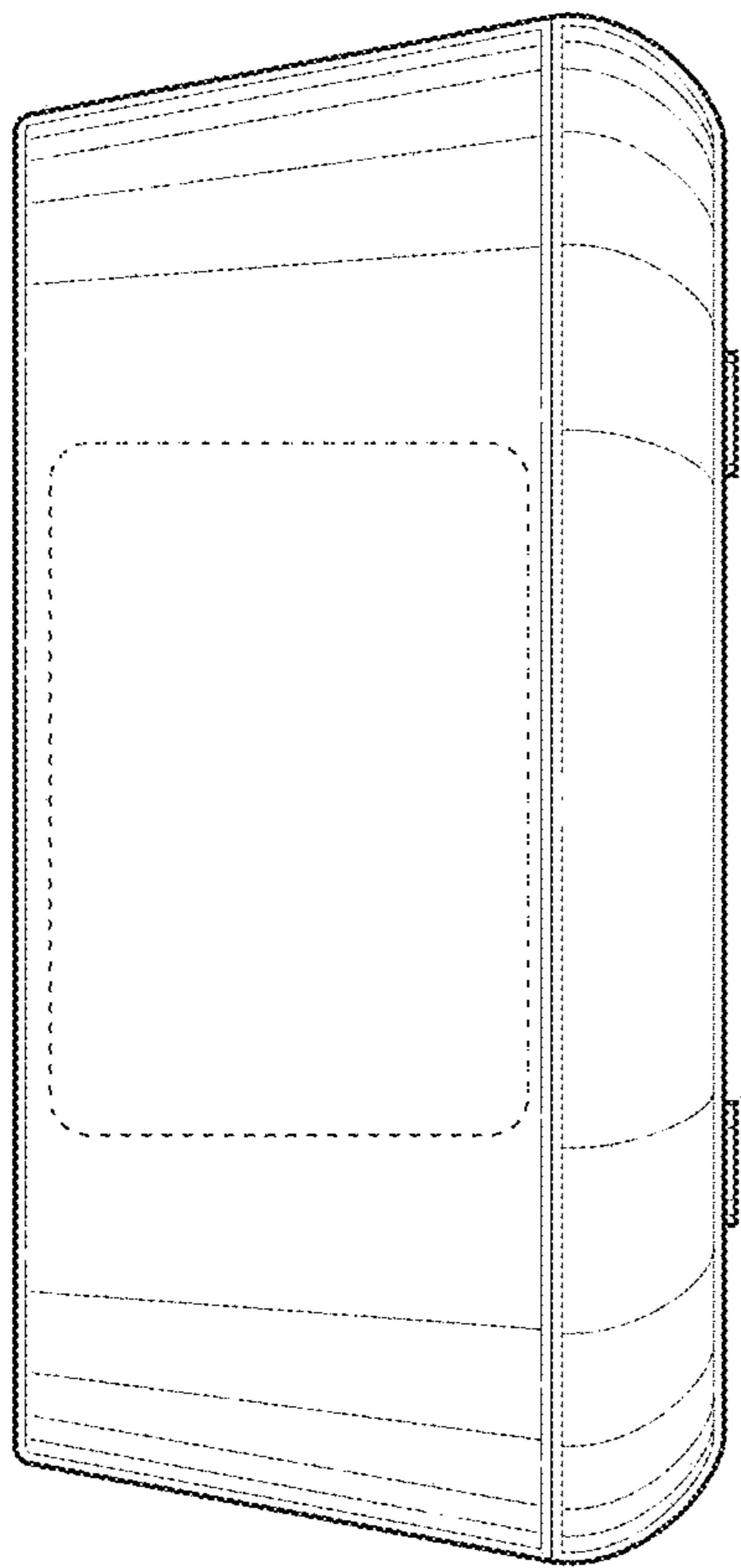


FIG. 2

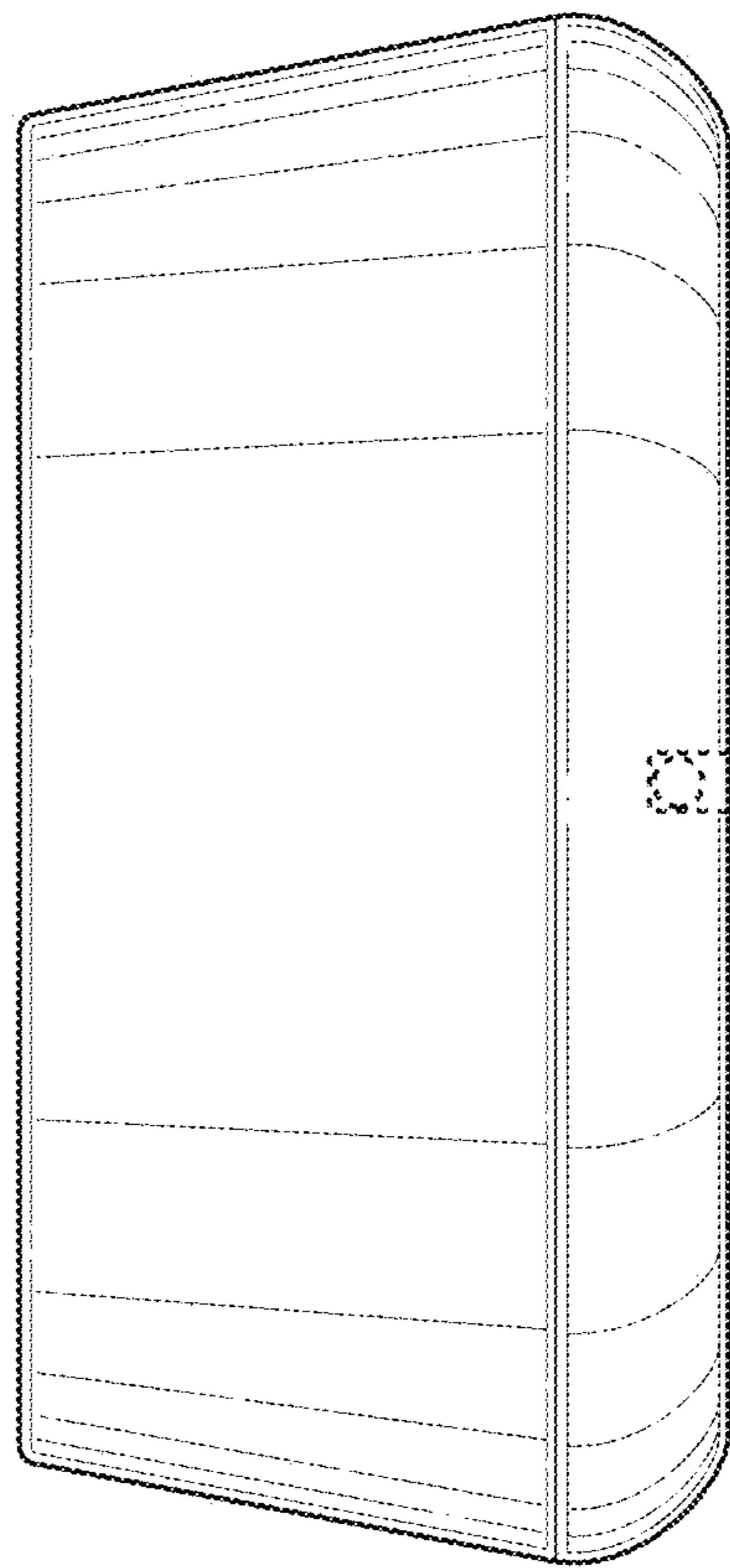


FIG. 3

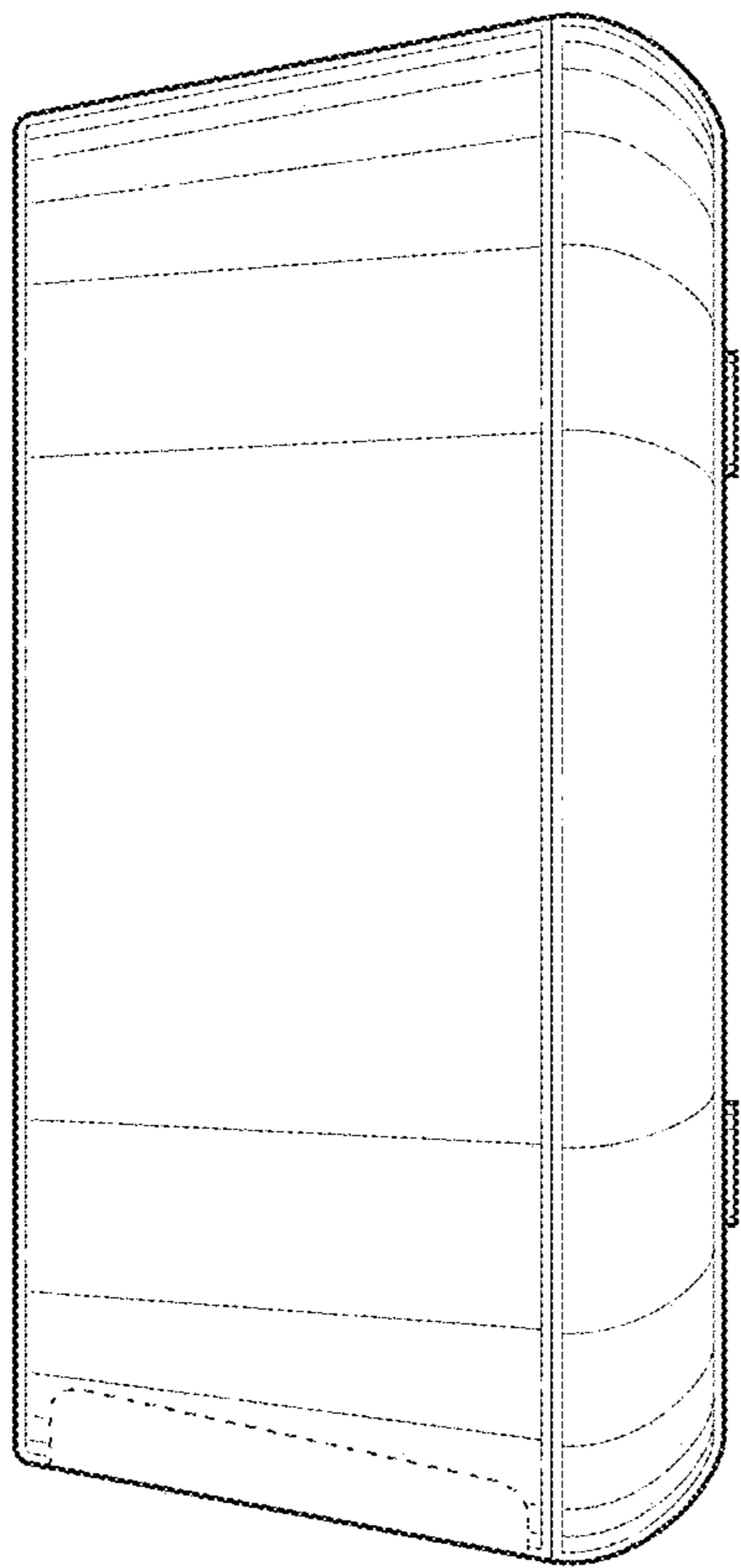


FIG. 4

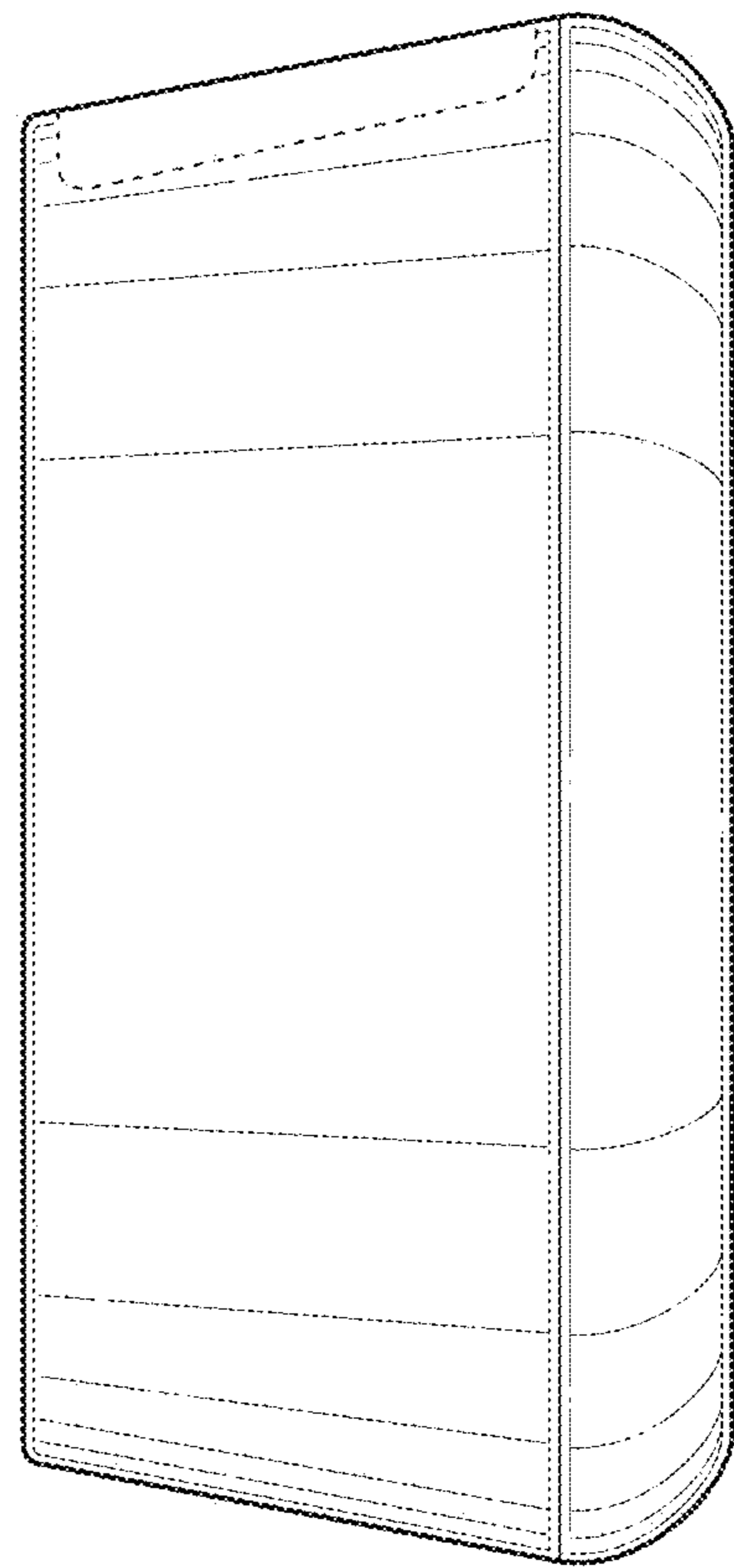


FIG. 5

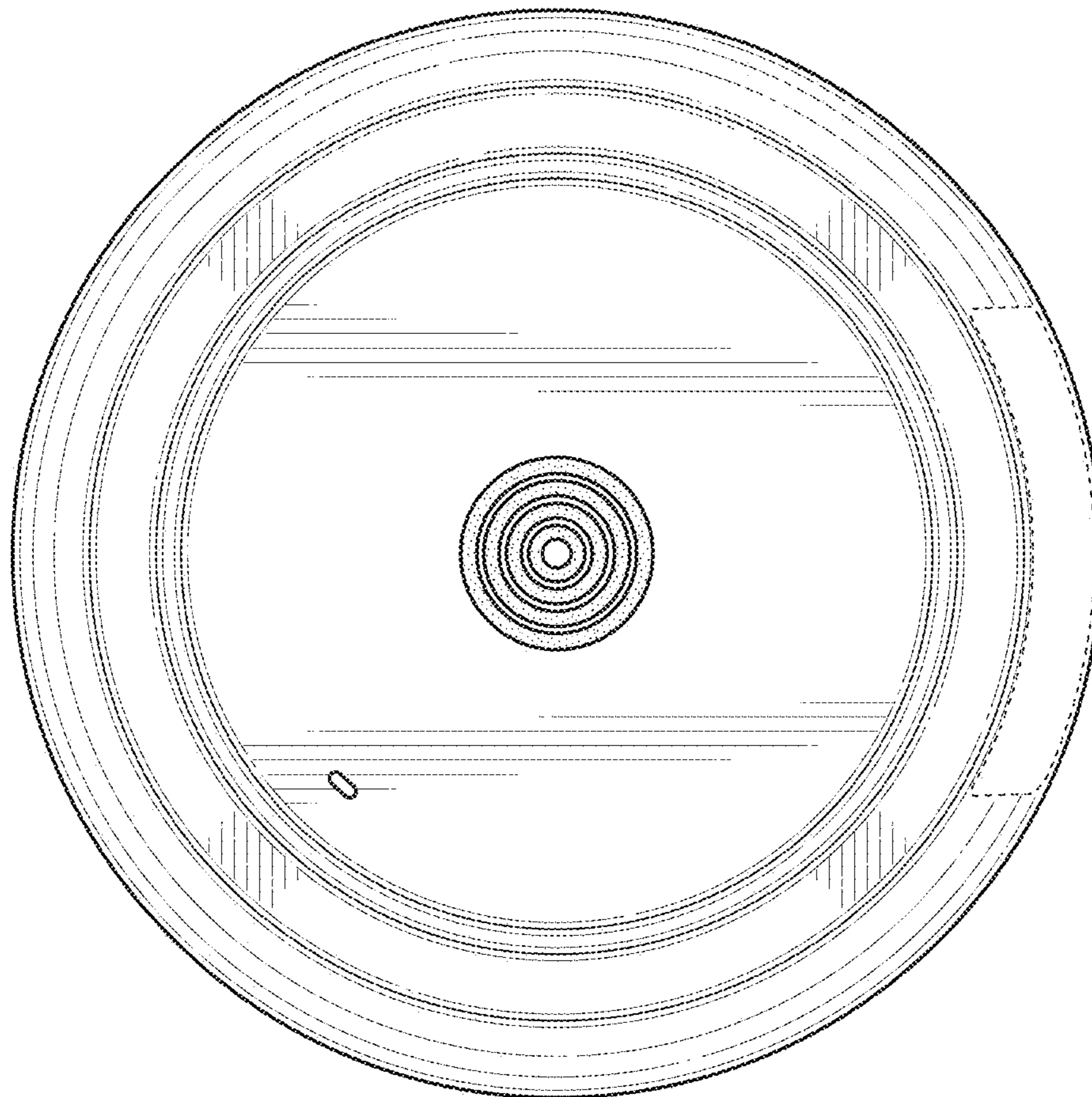


FIG. 6

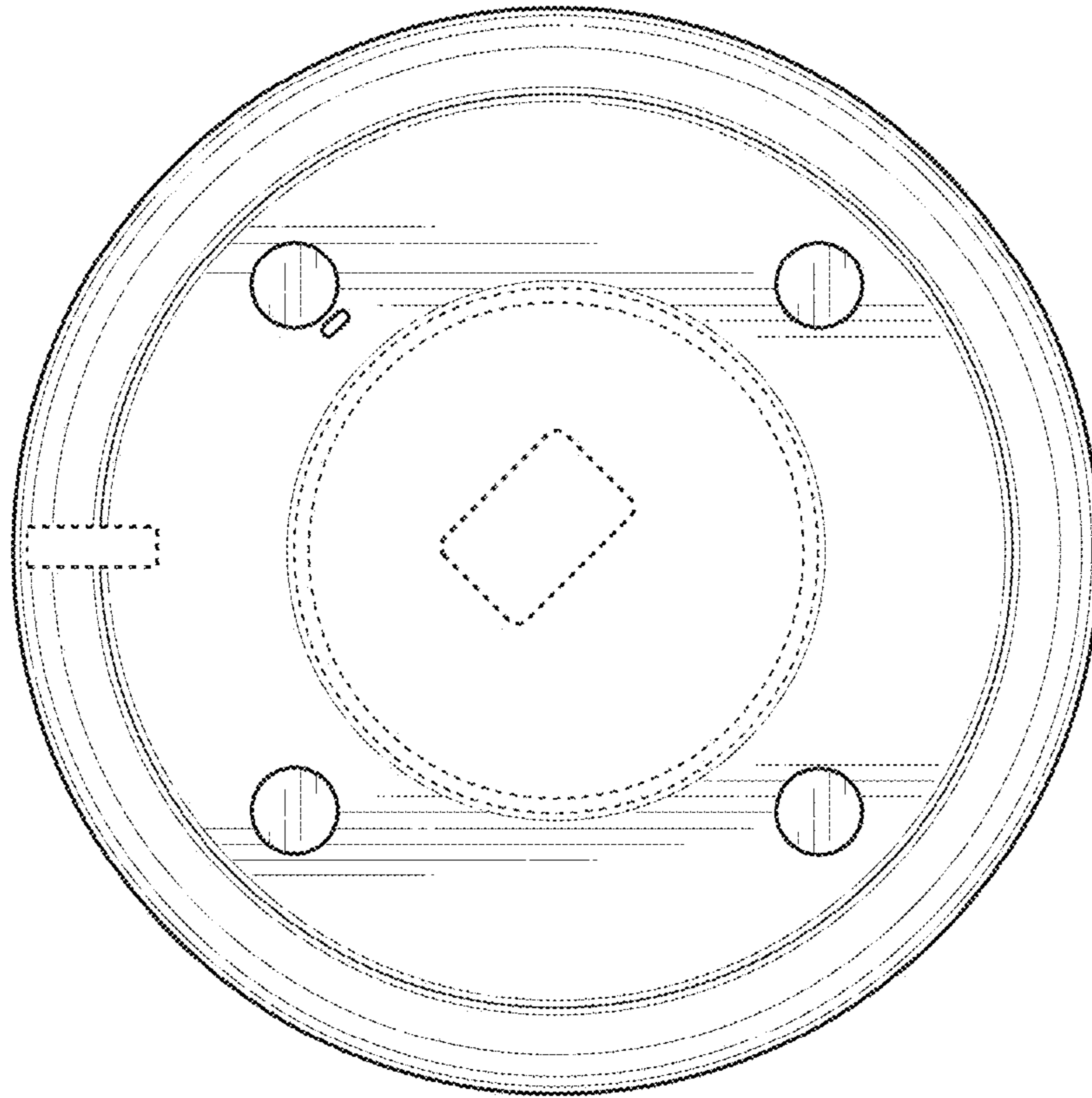


FIG. 7