

US00D894677S

(12) **United States Design Patent** (10) **Patent No.:** **US D894,677 S**
Tran (45) **Date of Patent:** **** Sep. 1, 2020**

(54) **STEAMER BASKET**
(71) Applicant: **Hatrigo LLC**, Renton, WA (US)
(72) Inventor: **Tri Minh Tran**, Renton, WA (US)
(73) Assignee: **HATRIGO LLC**, Renton, WA (US)
(**) Term: **15 Years**
(21) Appl. No.: **29/657,975**

D434,247 S * 11/2000 Rosenberg D11/153
6,152,018 A 11/2000 Yeh
D456,637 S 5/2002 Overdevest
D494,013 S * 8/2004 Compagnucci D7/601
D599,167 S 9/2009 Tiemann
D626,377 S 11/2010 Contreras et al.
D734,094 S 7/2015 Vogds et al.
D734,986 S 7/2015 Cotter
9,414,712 B2 8/2016 Skvorecz
9,517,858 B2 12/2016 Skvorecz
9,539,677 B2 1/2017 Skvorecz

(Continued)

(22) Filed: **Jul. 26, 2018**
(51) **LOC (12) Cl.** **07-99**
(52) **U.S. Cl.**
USPC **D7/403**; D6/556
(58) **Field of Classification Search**
USPC D7/323, 354, 355, 368, 396.1, 667, 402,
D7/403, 409, 213, 600.1, 602; D6/553,
D6/556
CPC A47J 27/04; A47J 2027/043; A47J 27/082;
A47J 47/00; A47J 47/16; A47J 47/20
See application file for complete search history.

OTHER PUBLICATIONS

Komfyko Steamer Basket | posted at Amazon.com, posted on May 20, 2018, 1996-2020 Amazon.com, [online], [site visited May 5, 2020]. Available from Internet, <URL: https://www.amazon.com/dp/B07C587K85/> (Year: 2018).*

Primary Examiner — Susan E Krakower
Assistant Examiner — Andrew Kerr
(74) *Attorney, Agent, or Firm* — Dunlap Bennett & Ludwig, PLLC

(56) **References Cited**

U.S. PATENT DOCUMENTS

983,473 A * 2/1911 Barnes A47G 7/025
248/154
1,421,705 A 7/1922 Melish et al.
1,631,725 A 6/1927 Halvorsen et al.
1,763,174 A 6/1930 Amelia et al.
2,007,997 A * 7/1935 Beulke B65D 25/00
220/9.4
2,667,117 A 1/1954 Millard et al.
2,672,988 A 3/1954 Johnson et al.
D172,594 S * 7/1954 Guichard D6/681
D206,758 S 1/1967 Radtke
D267,841 S 2/1983 Leslie
D274,109 S 6/1984 Northway
5,427,340 A 6/1995 Stromsmoe et al.
5,638,742 A 6/1997 Kassaseya
D406,984 S * 3/1999 Skvorecz D7/393

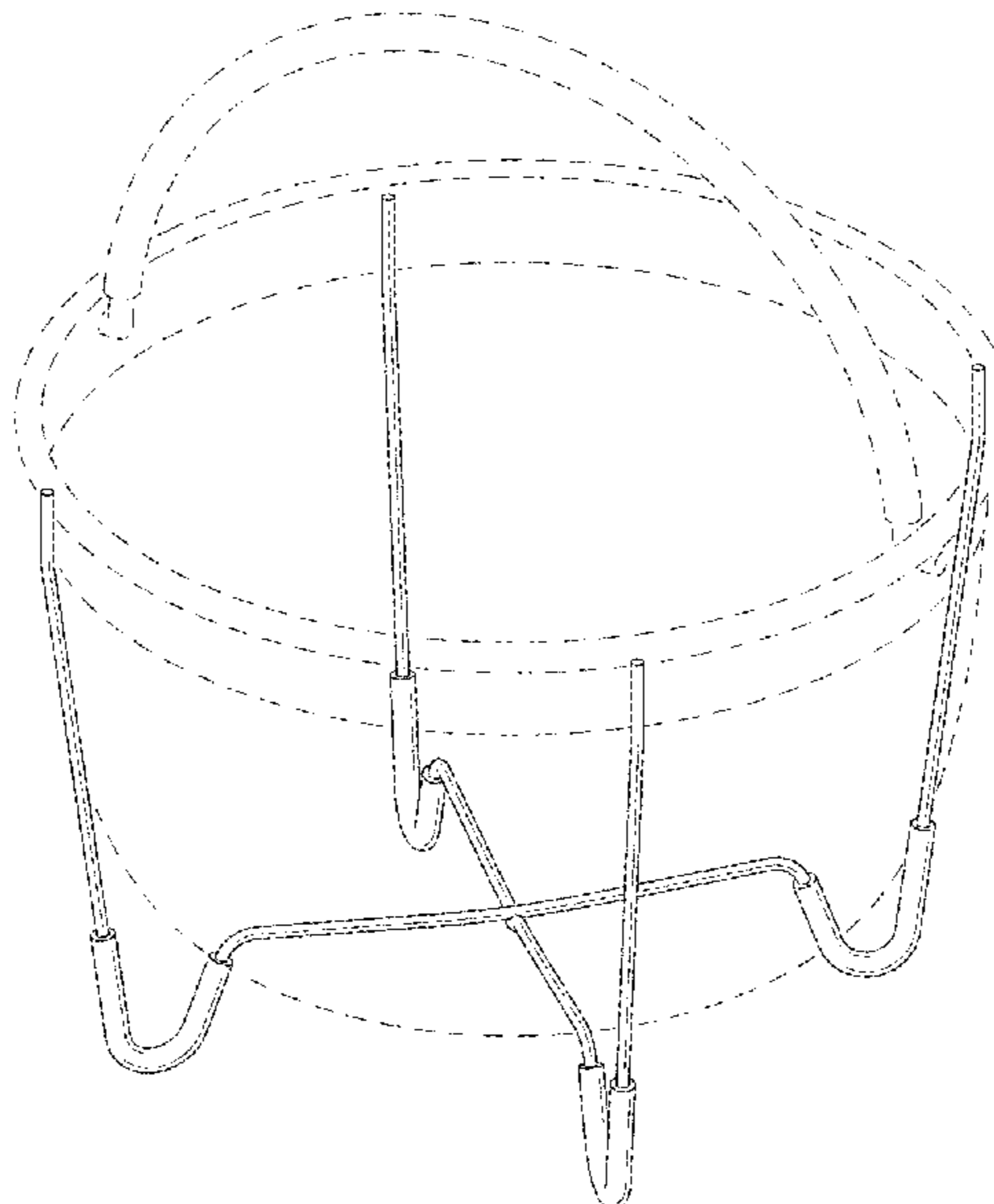
(57) **CLAIM**

The ornamental design for a steamer basket, as shown and described.

DESCRIPTION

FIG. 1 is a top front perspective view of a steamer basket, showing my new design;
FIG. 2 is a front elevation view thereof, the rear elevation view being a mirror image thereof;
FIG. 3 is a right elevation view thereof, the left elevation view being a mirror image thereof;
FIG. 4 is a top plan view thereof; and,
FIG. 5 is a bottom plan view thereof.
The broken lines shown in the drawings depict portions of the steamer basket that form no part of the claimed design.

1 Claim, 4 Drawing Sheets



(56)

References Cited

U.S. PATENT DOCUMENTS

D807,116	S	1/2018	Fariello	
9,861,228	B1	1/2018	Fariello	
D809,341	S *	2/2018	Fariello D7/409
D841,396	S *	2/2019	Prithviraj D7/402
D850,200	S *	6/2019	Jiang D7/409
D865,456	S *	11/2019	Dittrich D7/602
D869,903	S *	12/2019	Zhong D7/409
2008/0251657	A1	10/2008	Skvorecz	
2018/0279836	A1 *	10/2018	Prithviraj A47J 47/16

* cited by examiner

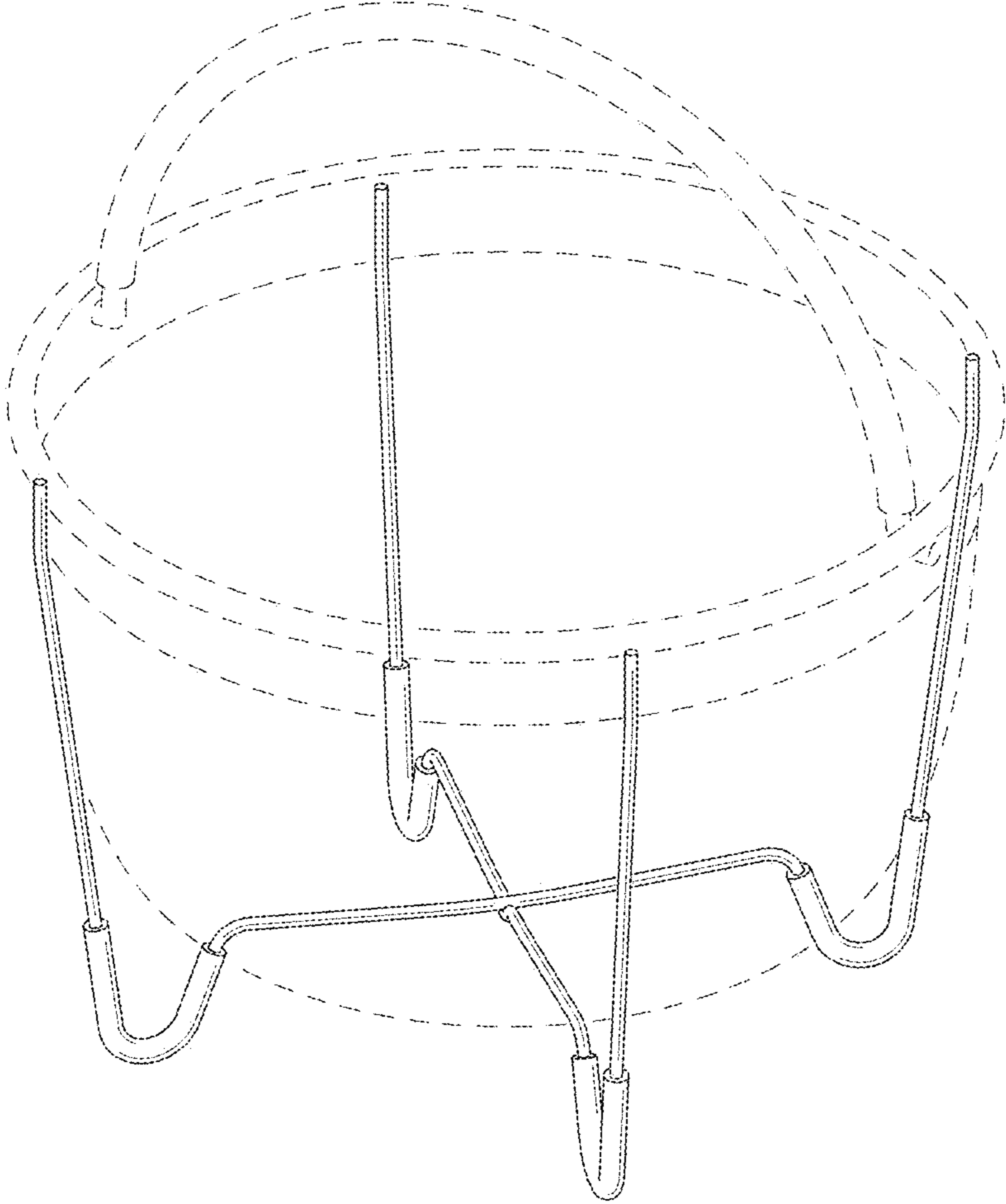


FIG. 1

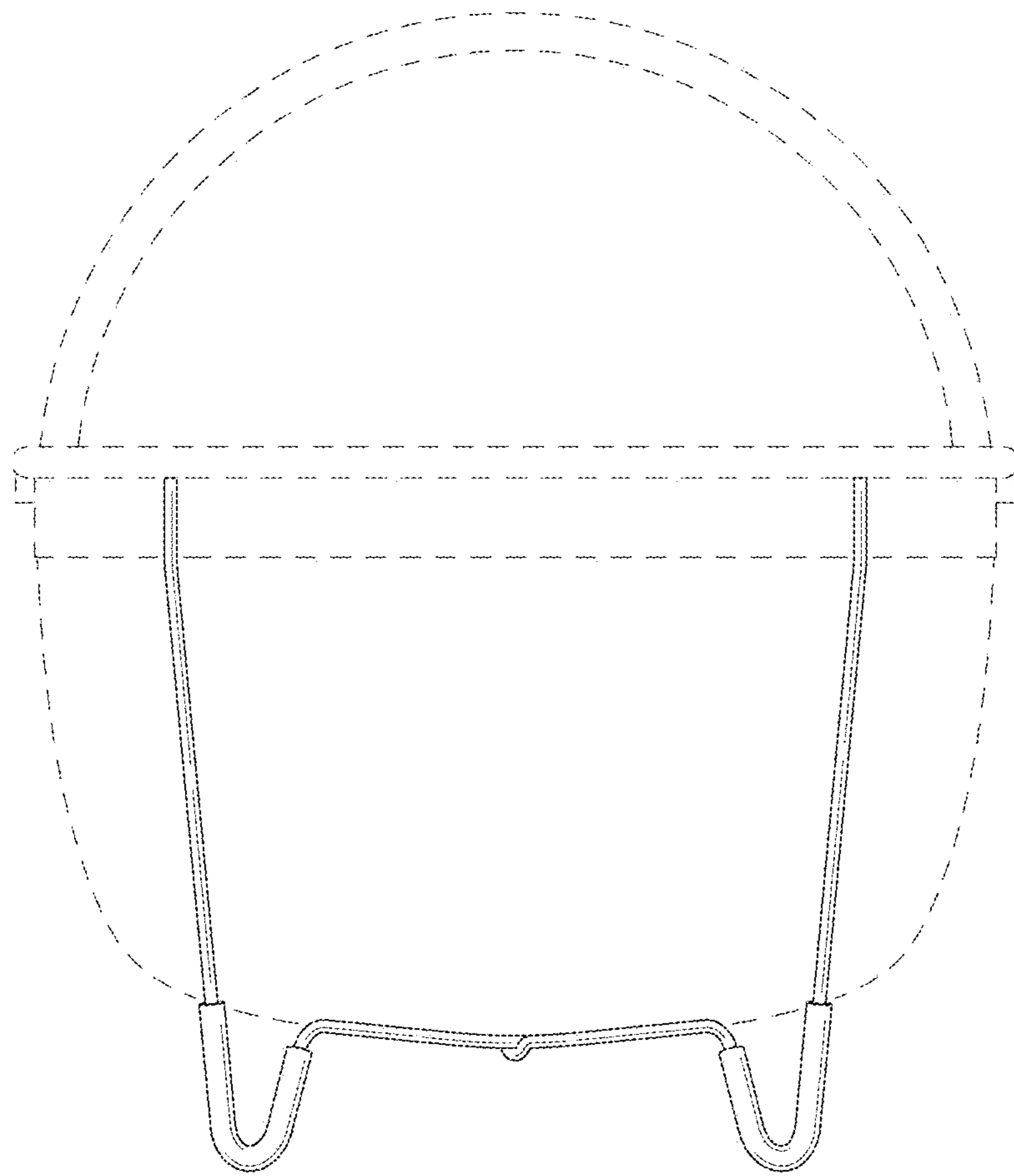


FIG. 2

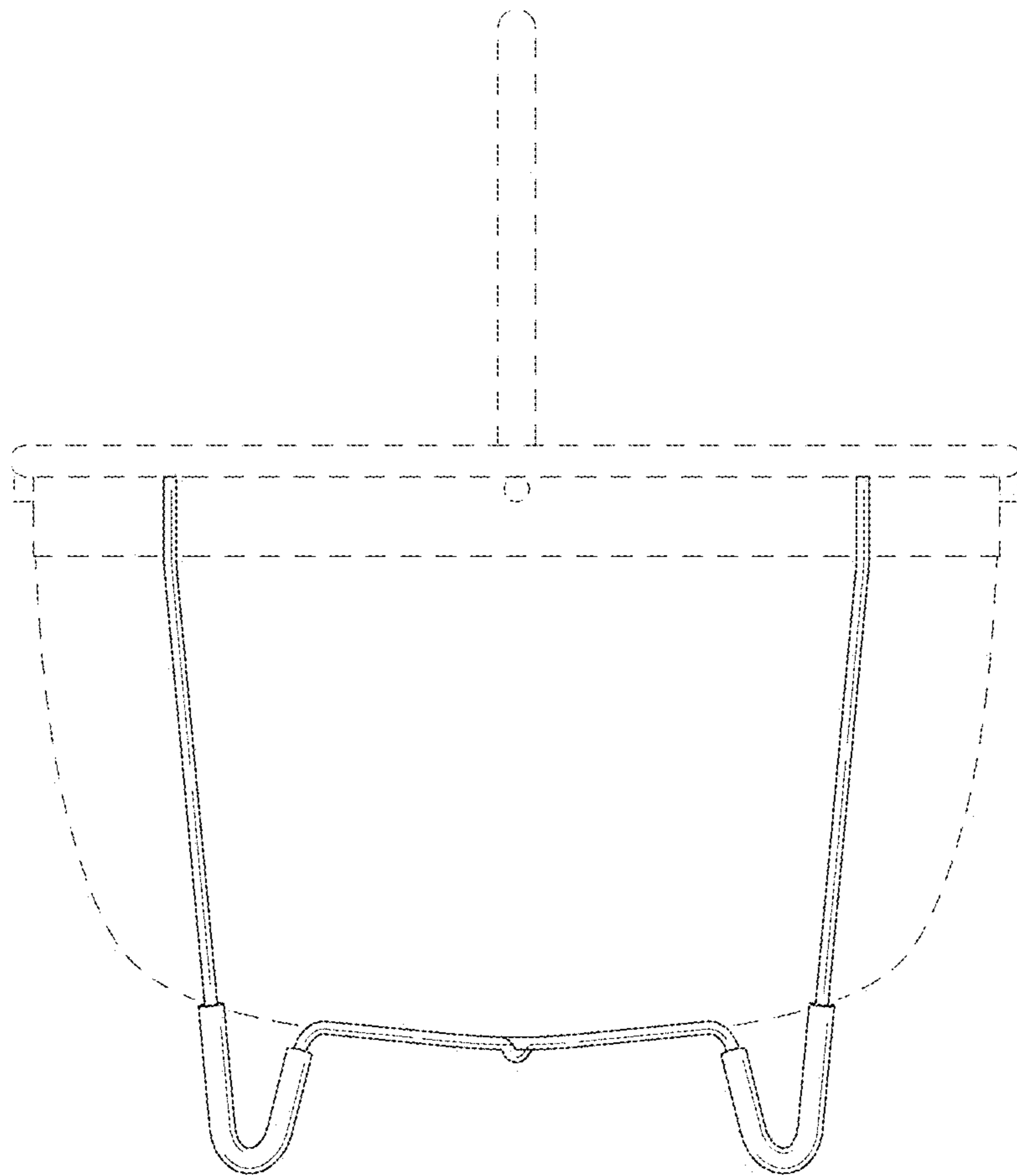


FIG. 3

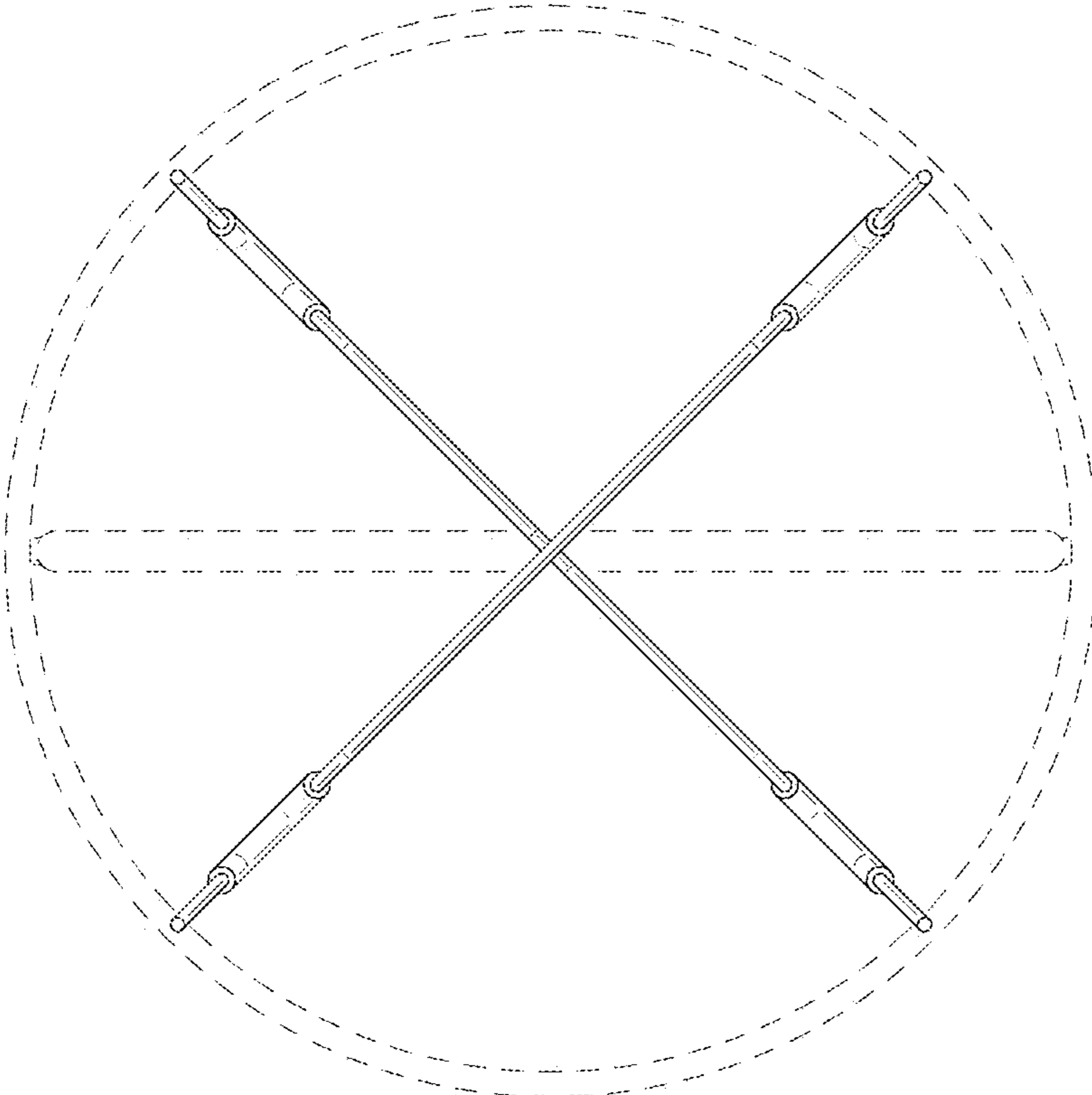


FIG. 4

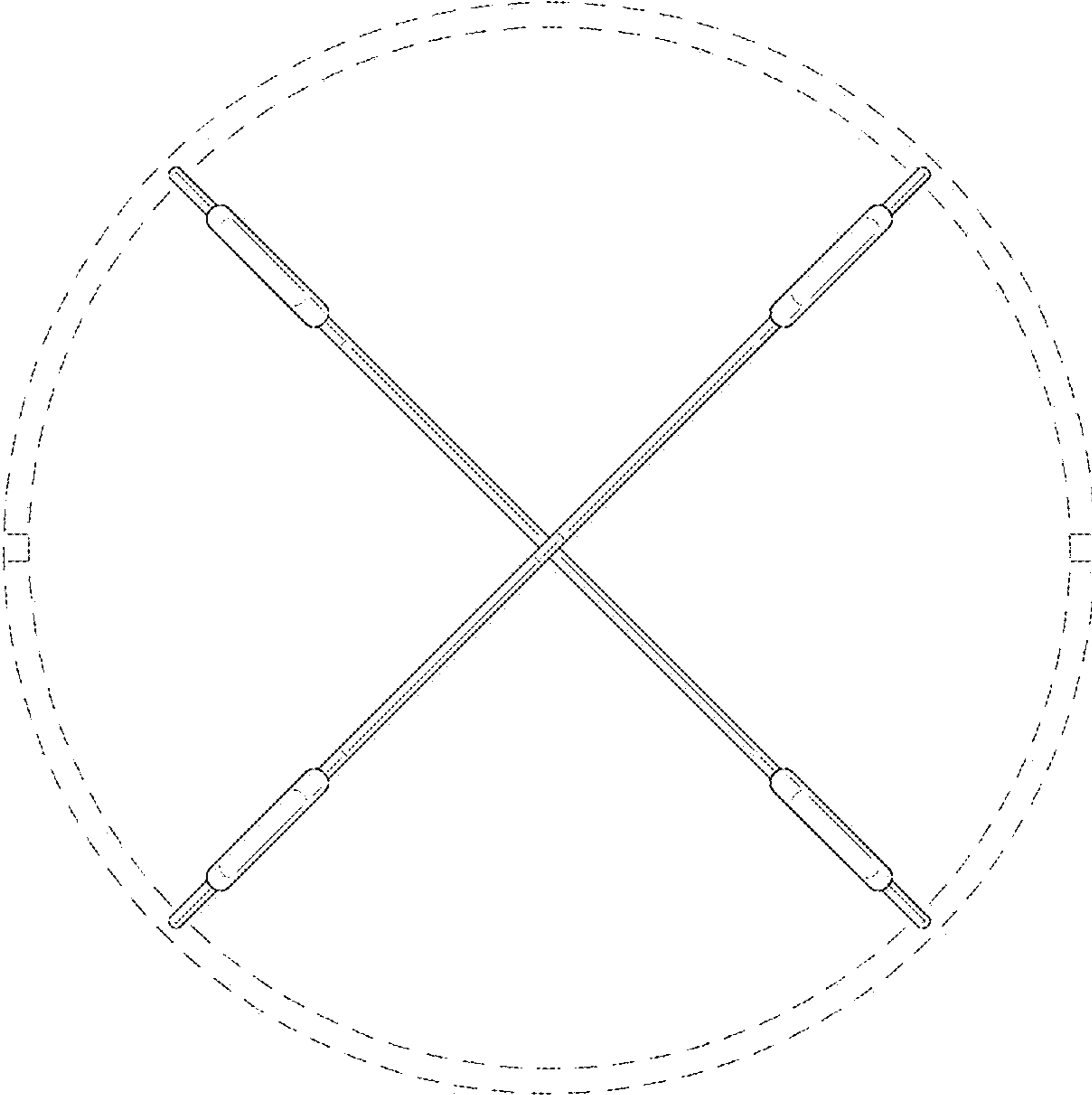


FIG. 5