



US00D894674S

(12) **United States Design Patent**
Hines et al.

(10) **Patent No.:** **US D894,674 S**
(45) **Date of Patent:** **** Sep. 1, 2020**

(54) **BEVERAGE DISPENSER WITH HOSE**
(71) Applicant: **Coravin, Inc.**, Bedford, MA (US)
(72) Inventors: **Benjamin Hines**, Cranston, RI (US);
Steffen F. Koury, Nahant, MA (US);
Paul K. Metaxatos, Swampscott, MA (US);
Michael Rider, Lowell, MA (US)

9,010,588 B2 * 4/2015 Lambrecht B67D 1/0412
222/399
D755,554 S 5/2016 Lazaris et al.
D769,064 S * 10/2016 Crowell D7/398
D778,125 S 2/2017 Metaxatos et al.
D792,729 S * 7/2017 Adewuyi D7/306
(Continued)

(73) Assignee: **Coravin, Inc.**, Bedford, MA (US)

OTHER PUBLICATIONS
U.S. Appl. No. 29,662,079, filed Aug. 31, 2018, Hines et al.
(Continued)

(**) Term: **15 Years**

Primary Examiner — Brett Miller
(74) *Attorney, Agent, or Firm* — Wolf, Greenfield & Sacks, P.C.

(21) Appl. No.: **29/664,348**

(22) Filed: **Sep. 24, 2018**

(51) **LOC (12) Cl.** **07-99**

(52) **U.S. Cl.**
USPC **D7/397; D7/300; D7/665**

(58) **Field of Classification Search**
USPC D7/397-401, 309-311, 306, 605, 392.1,
D7/396.2, 316-319, 300, 665, 312, 313;
D8/42; D9/447, 448
CPC B67D 1/0412; B67D 2001/0481
See application file for complete search history.

(57) **CLAIM**
The ornamental design for a beverage dispenser with hose,
as shown and described.

DESCRIPTION

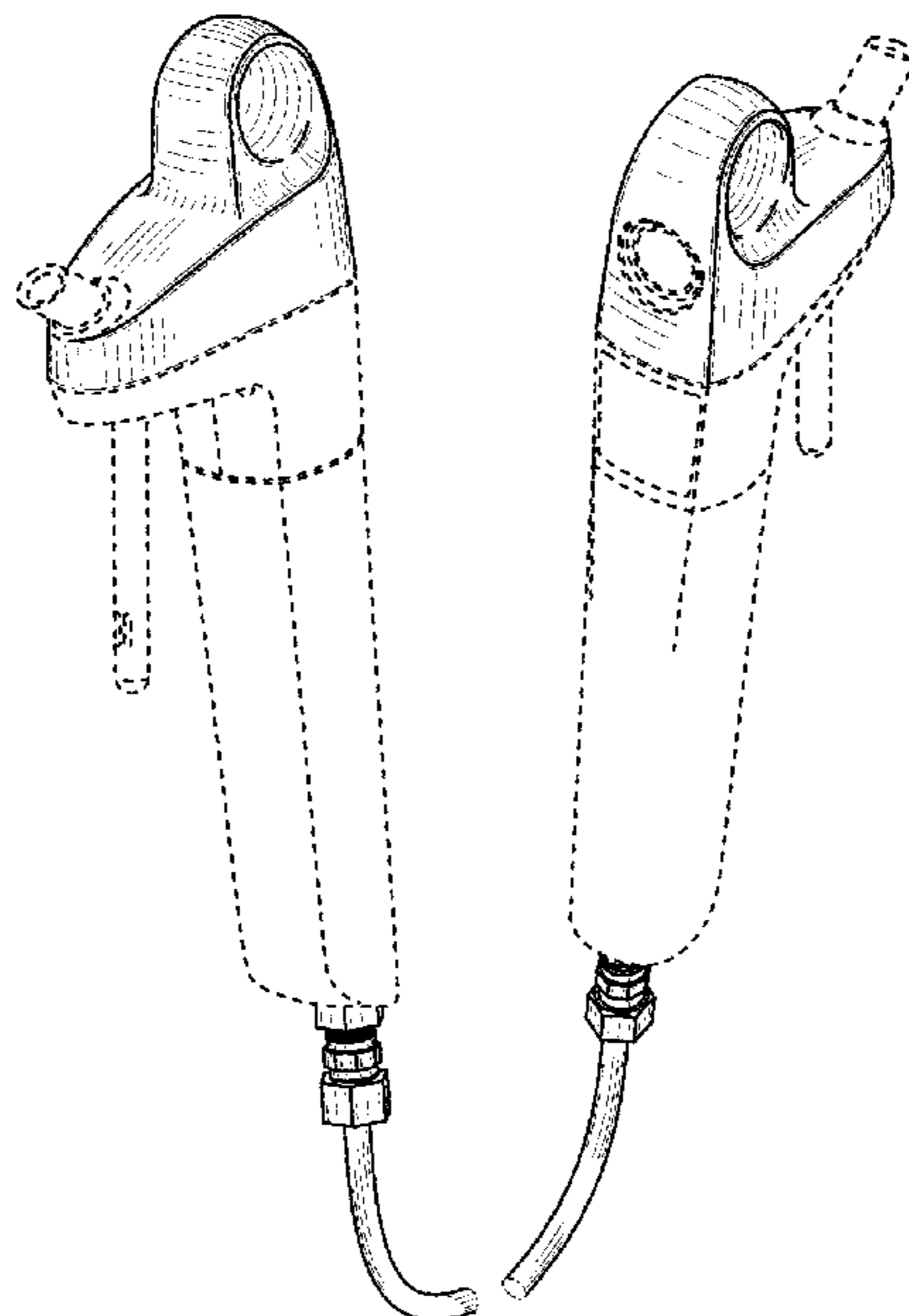
FIG. 1 is a top, front, right side perspective view of a beverage dispenser with hose showing our new design; FIG. 2 is a front elevation view thereof; FIG. 3 is a right side elevation view thereof; FIG. 4 is a top plan view thereof; FIG. 5 is a left side elevation view thereof; FIG. 6 is a bottom plan view thereof; FIG. 7 is a rear elevation view thereof; FIG. 8 is a top, rear, left side perspective view thereof; and, FIG. 9 is a left side elevation view of the beverage dispenser with hose, shown with the hose connected to a gas tank. The dash-dash broken lines shown in FIGS. 1-8 represent portions of the beverage dispenser with hose that form no part of the claimed design. The additional dash-dash broken lines shown in FIG. 9 represent environmental matter and form no part of the claimed design. The short dash-long dash broken lines define boundaries of the claimed design and form no part of the claimed design.

(56) **References Cited**

U.S. PATENT DOCUMENTS

D276,788 S * 12/1984 Ravreby D8/42
4,674,662 A * 6/1987 Bergstrom B67D 1/0412
215/360
D328,200 S * 7/1992 Ipsen D7/398
D386,350 S * 11/1997 Mogadam D7/300
D471,760 S * 3/2003 Stadermann D7/398
D472,762 S * 4/2003 Song D7/397
7,712,637 B2 * 5/2010 Lambrecht B67D 1/0412
141/17
D689,353 S 9/2013 Dockser et al.
D706,598 S * 6/2014 Agarwal D8/42
D717,578 S 11/2014 Lazaris et al.

1 Claim, 4 Drawing Sheets



(56)

References Cited

U.S. PATENT DOCUMENTS

D795,026 S * 8/2017 Fouquet D7/665
D801,129 S 10/2017 Metaxatos et al.
D816,497 S * 5/2018 Bramwell D9/448
D817,733 S * 5/2018 Ma D8/42
2014/0183227 A1* 7/2014 Barnini B67D 1/0412
222/152
2016/0207752 A1* 7/2016 Bazoberry B67D 1/0412

OTHER PUBLICATIONS

U.S. Appl. No. 29,662,078, filed Aug. 31, 2018, Hines et al.
U.S. Appl. No. 29,662,077, filed Aug. 31, 2018, Hines et al.
U.S. Appl. No. 29,662,076, filed Sep. 24, 2018, Hines et al.
U.S. Appl. No. 29,664,349, filed Sep. 24, 2018, Hines et al.

* cited by examiner

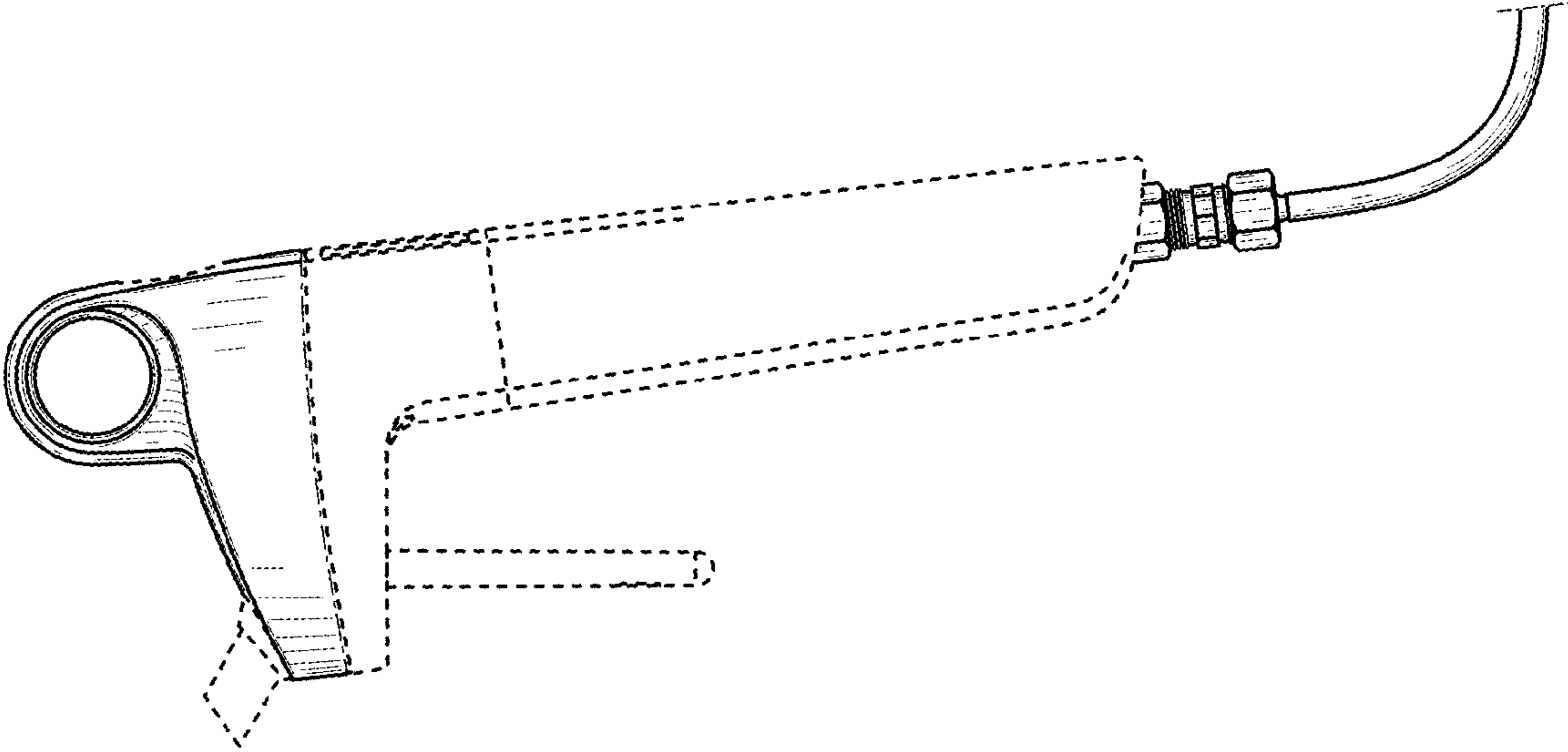


FIG. 3

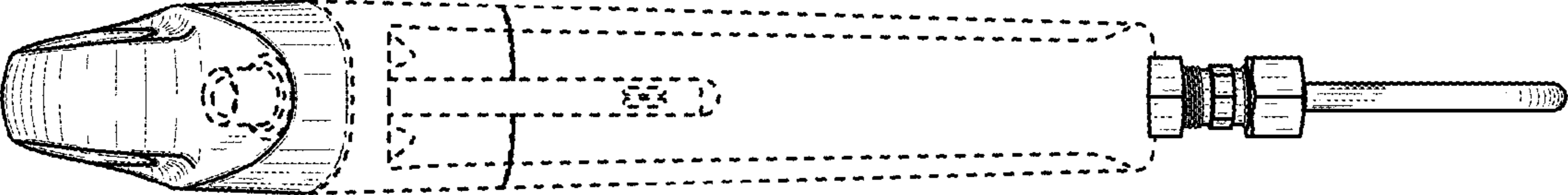


FIG. 2

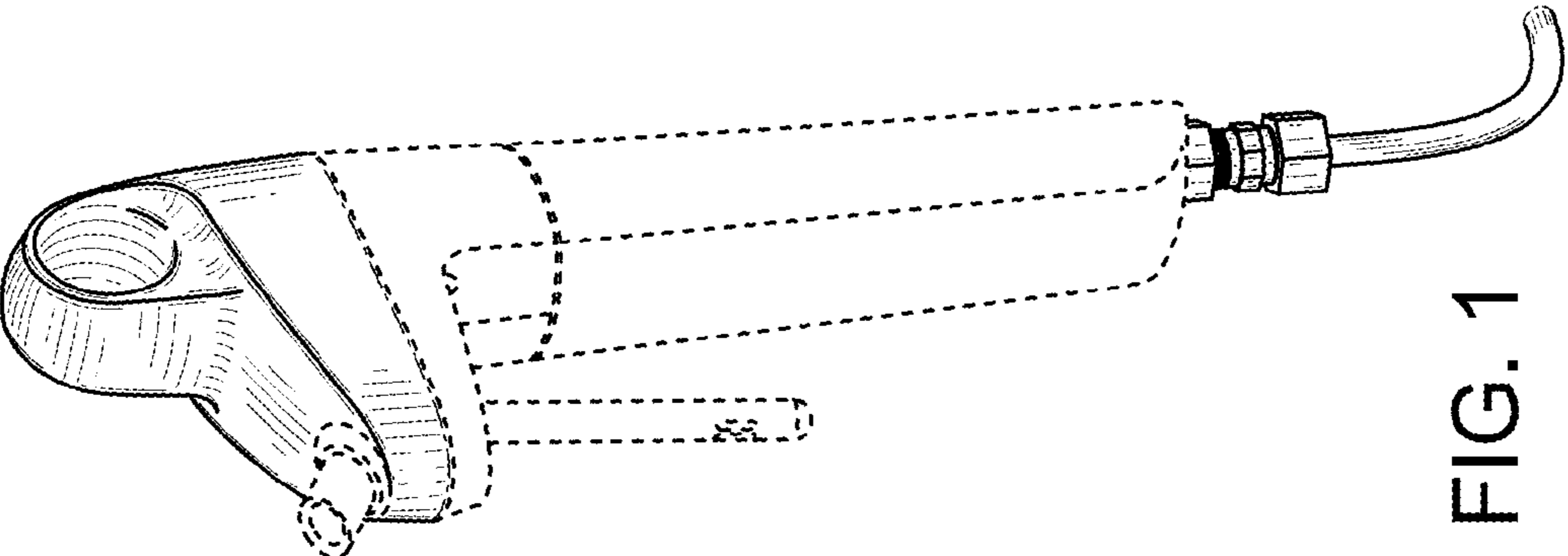


FIG. 1

FIG. 4

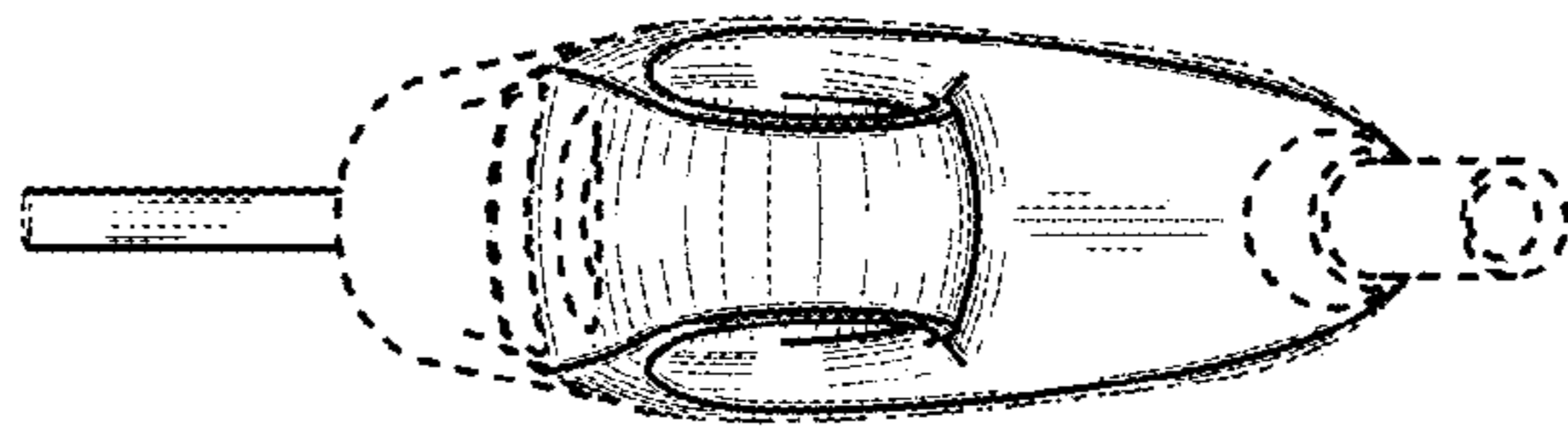


FIG. 5

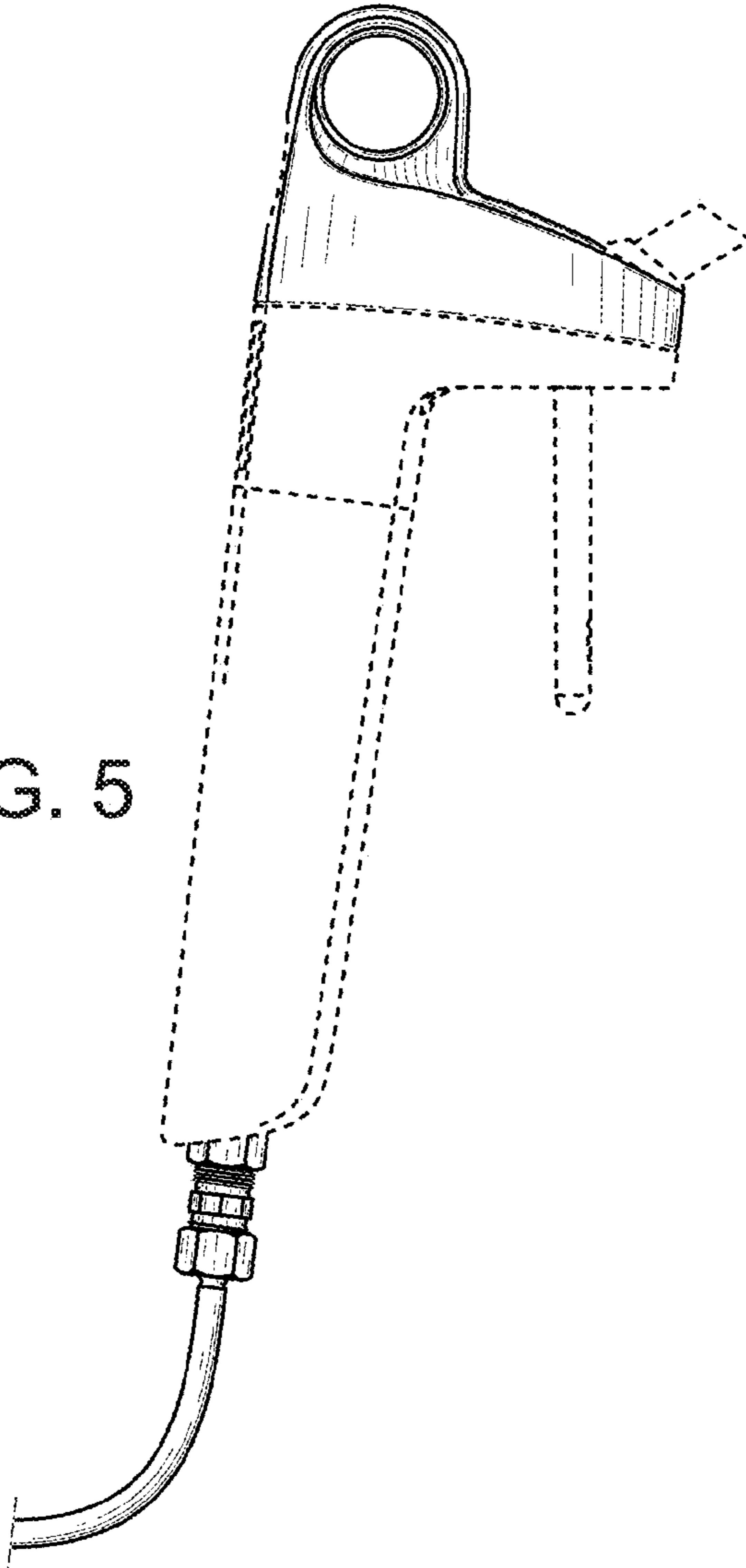


FIG. 6

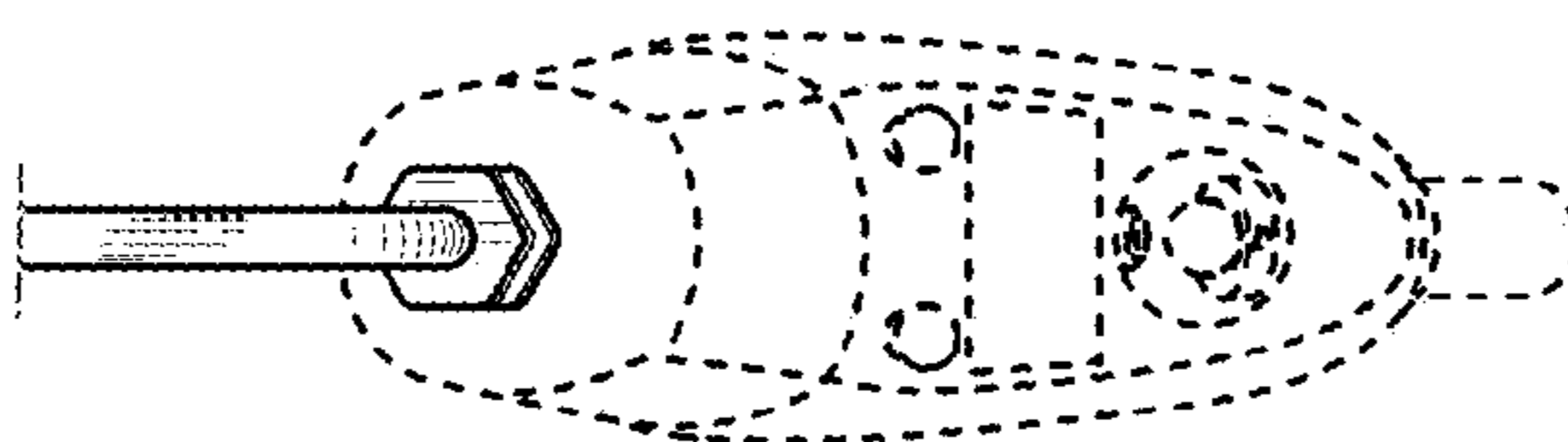


FIG. 7

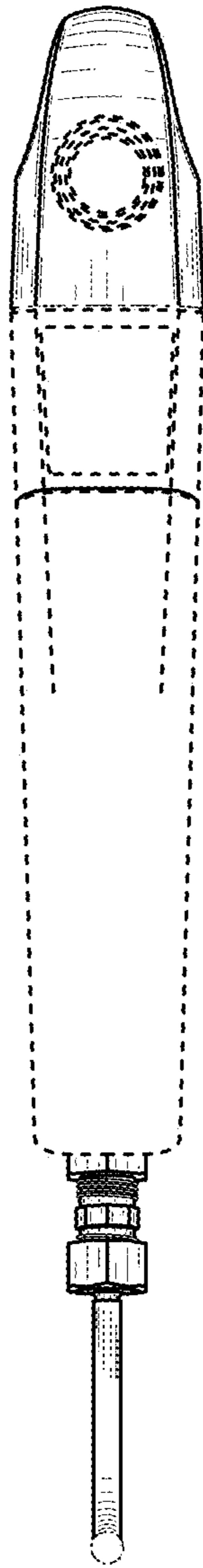


FIG. 8

