

US00D894673S

(12) **United States Design Patent** (10) **Patent No.:** **US D894,673 S**  
**Juarbe** (45) **Date of Patent:** **\*\* Sep. 1, 2020**

(54) **DRINKING STRAW HOLDING DEVICE WITH DISPLAY ARRANGEMENT**

(71) Applicant: **Israel Juarbe**, Bronx, NY (US)

(72) Inventor: **Israel Juarbe**, Bronx, NY (US)

(\*\*) Term: **15 Years**

(21) Appl. No.: **29/664,527**

(22) Filed: **Sep. 26, 2018**

(51) **LOC (12) Cl.** ..... **07-99**

(52) **U.S. Cl.**  
USPC ..... **D7/396.2**; D20/43

(58) **Field of Classification Search**  
USPC ..... D7/300.2, 396.2, 396.3, 387; D20/43,  
D20/44; D8/380, 373  
CPC .... A47G 19/2222; A47G 21/182; G09F 7/00;  
D09F 7/18  
See application file for complete search history.

D487,115 S \* 2/2004 Kosir ..... D20/43  
D573,657 S \* 7/2008 Caterinacci ..... D20/43  
D650,019 S \* 12/2011 Stuke ..... D20/44  
D669,135 S \* 10/2012 Garfinkle ..... D20/43  
D692,499 S \* 10/2013 Kirby ..... D20/43  
D725,462 S \* 3/2015 Zilisch ..... D8/395  
D777,511 S \* 1/2017 Williams ..... D20/28  
D784,062 S \* 4/2017 Juarbe  
D787,602 S \* 5/2017 Watson ..... D20/43  
D826,632 S \* 8/2018 Breit ..... D7/396.2  
D829,823 S \* 10/2018 White ..... D20/43  
10,085,576 B1 10/2018 Juarbe  
10,420,434 B1 9/2019 Juarbe  
2008/0011909 A1 1/2008 Daddario et al.

(Continued)

*Primary Examiner* — Marianne N Pandozzi  
(74) *Attorney, Agent, or Firm* — Lawrence G. Fridman, Esq.; Feigin & Fridman, LLC

(57) **CLAIM**

The ornamental design for a drinking straw holding device with display arrangement, as shown and described.

(56) **References Cited**

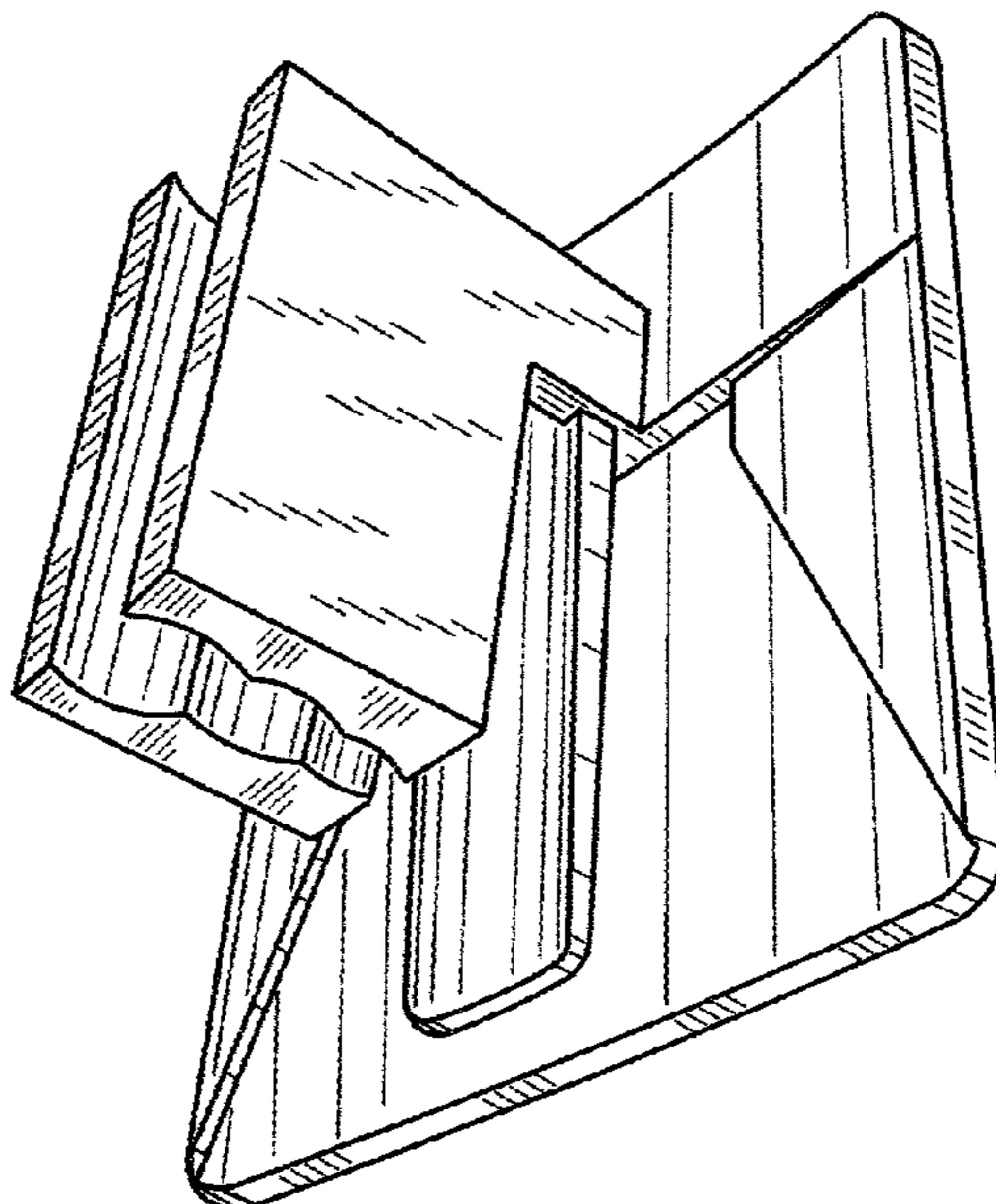
U.S. PATENT DOCUMENTS

1,643,661 A \* 9/1927 Kendall ..... A47J 43/287  
248/113  
2,489,875 A \* 11/1949 Embree ..... B44D 3/123  
248/113  
3,983,602 A \* 10/1976 Barry ..... A42B 3/04  
24/11 R  
4,850,495 A 7/1989 Wallace  
D305,911 S \* 2/1990 Burlando ..... D20/44  
5,046,628 A 9/1991 Florjancic  
5,427,315 A \* 6/1995 Lipson ..... A47G 21/182  
239/33  
5,671,863 A \* 9/1997 Uliana ..... A47G 19/2222  
215/388  
D447,518 S \* 9/2001 Lau ..... D20/43  
D454,373 S \* 3/2002 Kosir ..... D20/44  
D470,535 S \* 2/2003 Valiulis ..... D20/44  
D476,375 S \* 6/2003 Zadak ..... D20/43

**DESCRIPTION**

FIG. 1 is a front elevational view of a drinking straw holding device with display arrangement according to my new design;  
FIG. 2 is a bottom plan view thereof;  
FIG. 3 is a top plan view thereof;  
FIG. 4 is one side elevational view thereof;  
FIG. 5 is a rear elevational view thereof;  
FIG. 6 is another side elevational view thereof;  
FIG. 7 is a cross-sectional view according to sectional line 7-7 of FIG. 5;  
FIG. 8 is a rear perspective view thereof;  
FIG. 9 is another rear perspective view thereof;  
FIG. 10 is a further rear perspective view thereof; and,  
FIG. 11 is a front perspective view thereof.

**1 Claim, 5 Drawing Sheets**



(56)

**References Cited**

U.S. PATENT DOCUMENTS

2008/0203104 A1\* 8/2008 Pawlik ..... A47G 19/2222  
220/710  
2013/0032606 A1\* 2/2013 Lafever ..... A47G 19/2222  
220/710

\* cited by examiner

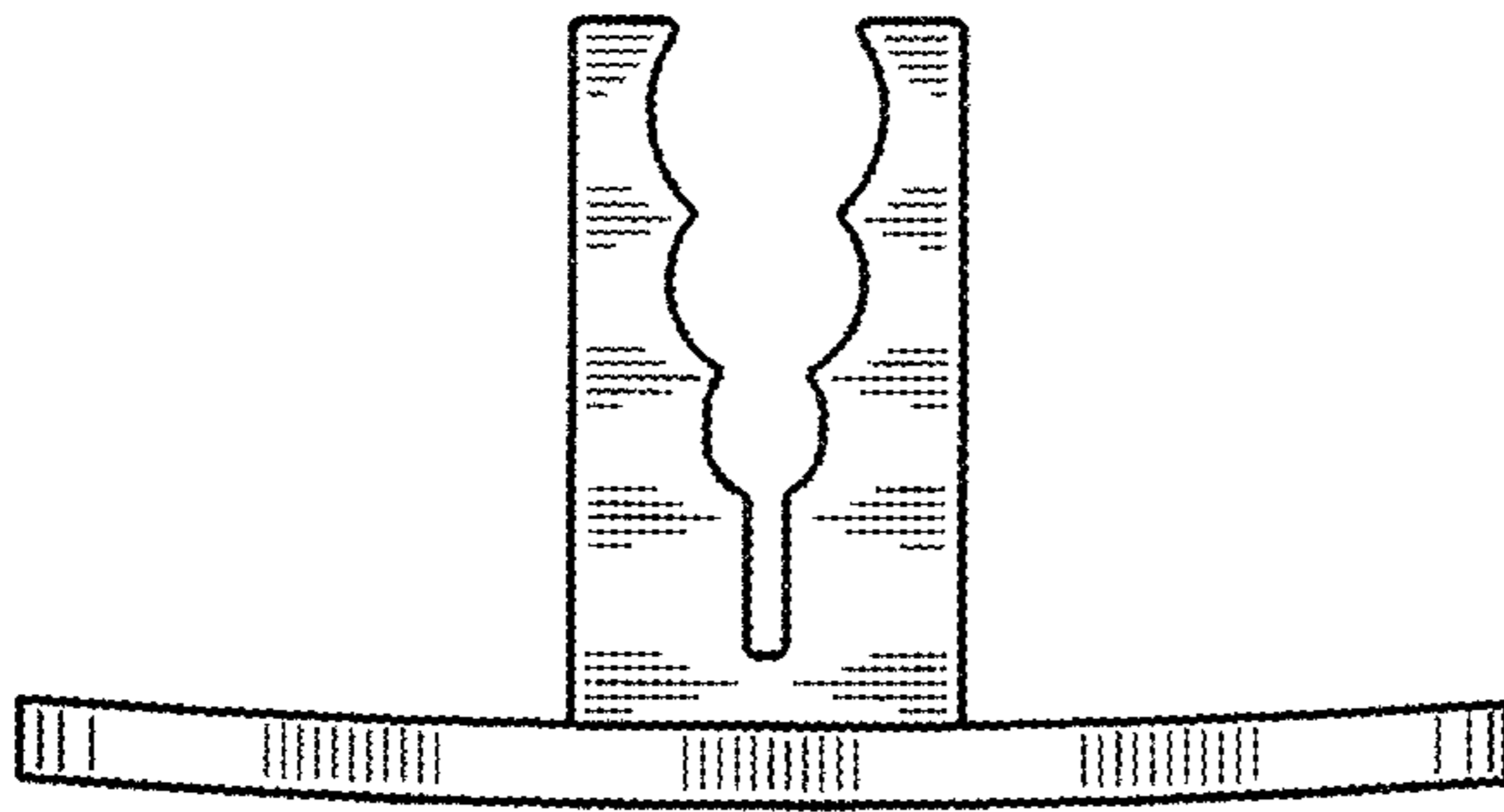


FIG. 3

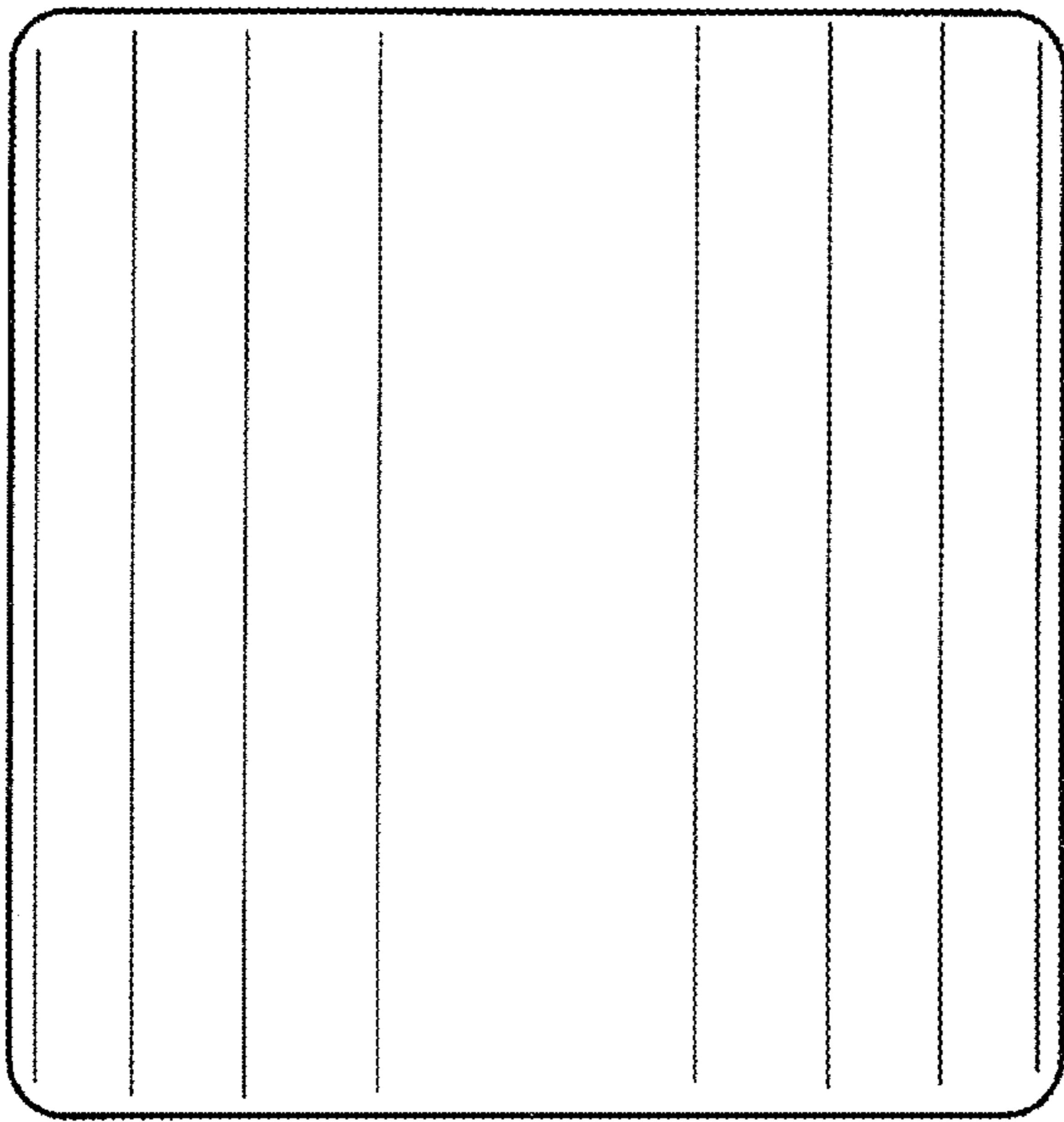


FIG. 1

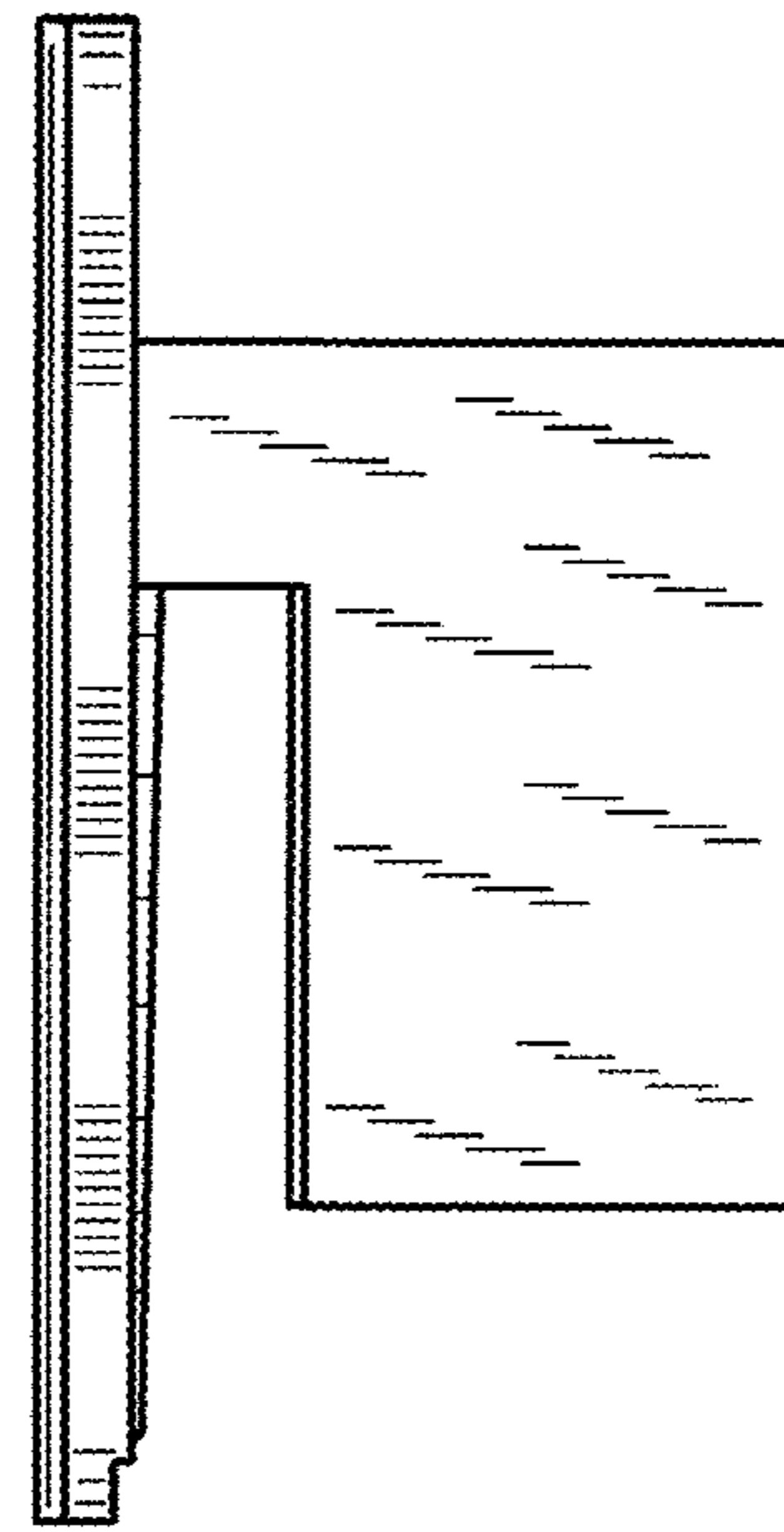


FIG. 4

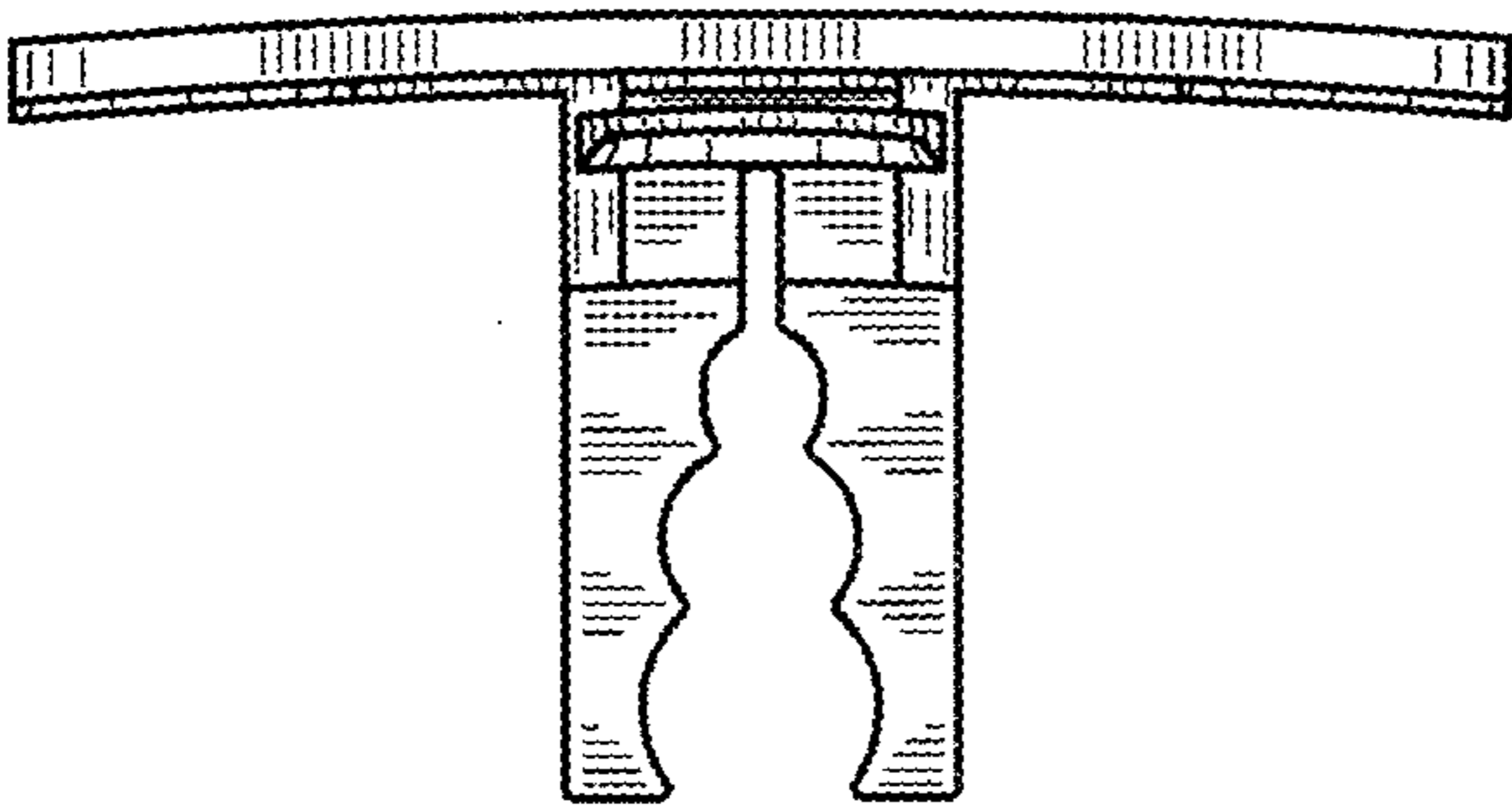


FIG. 2

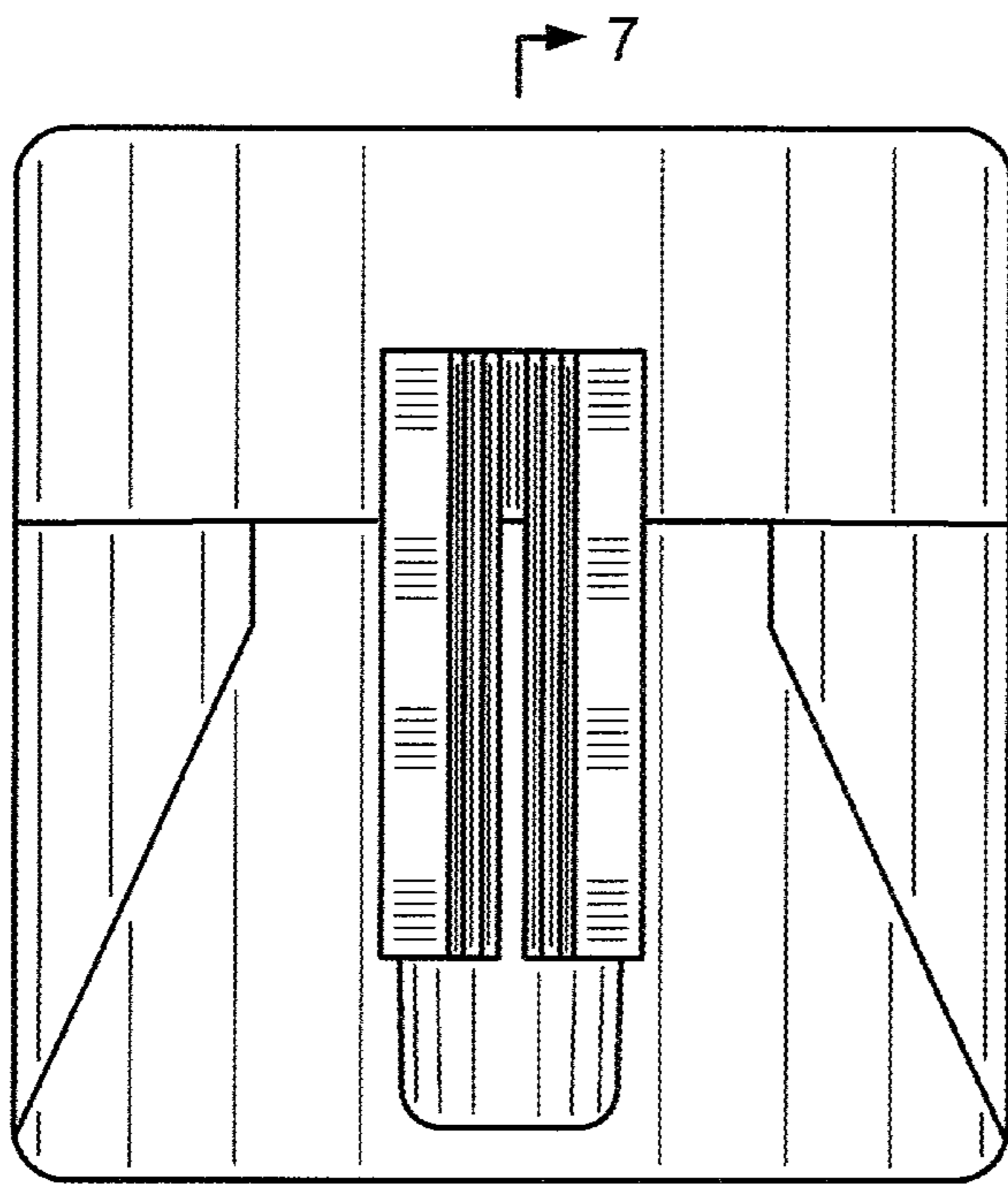


FIG. 5

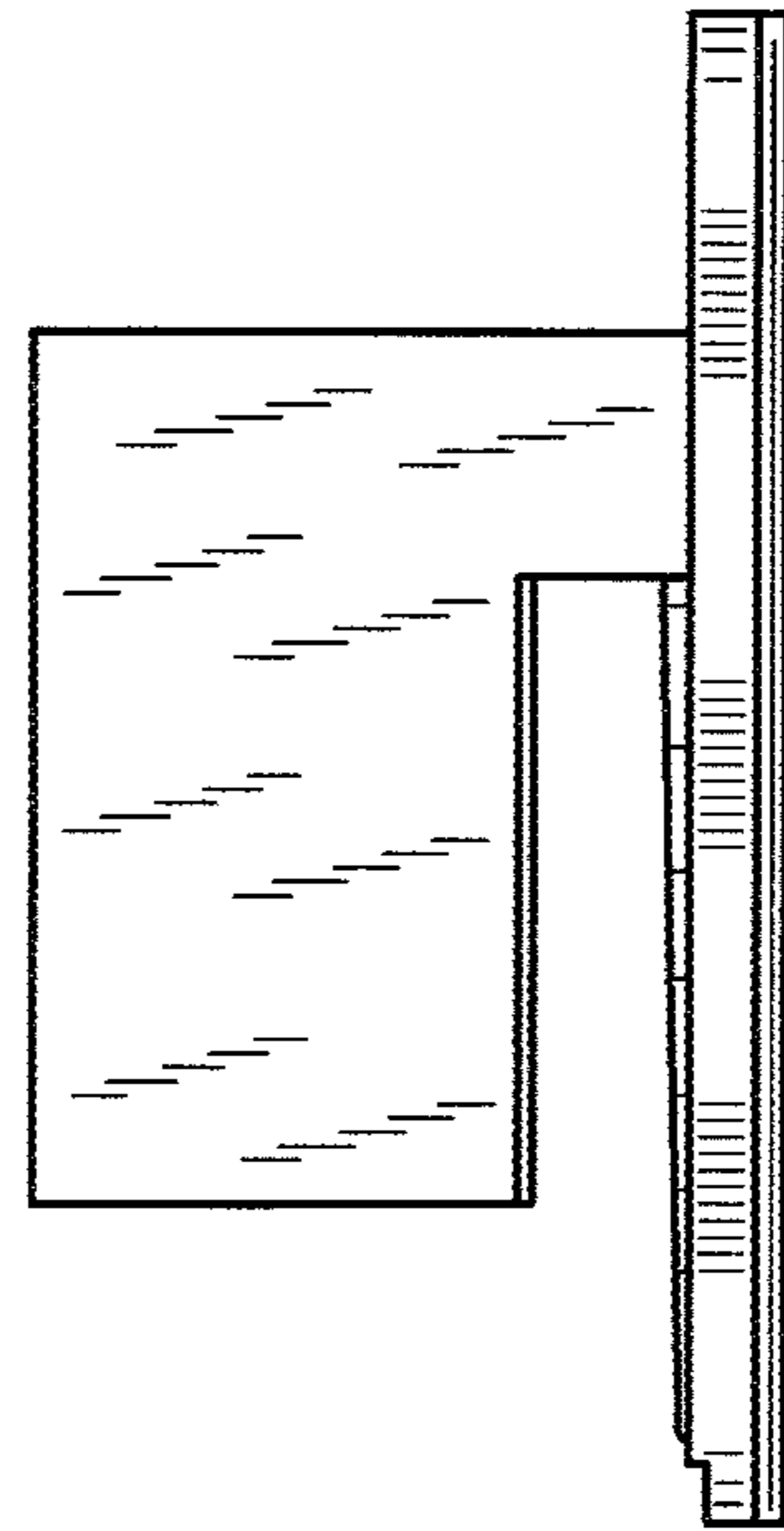


FIG. 6

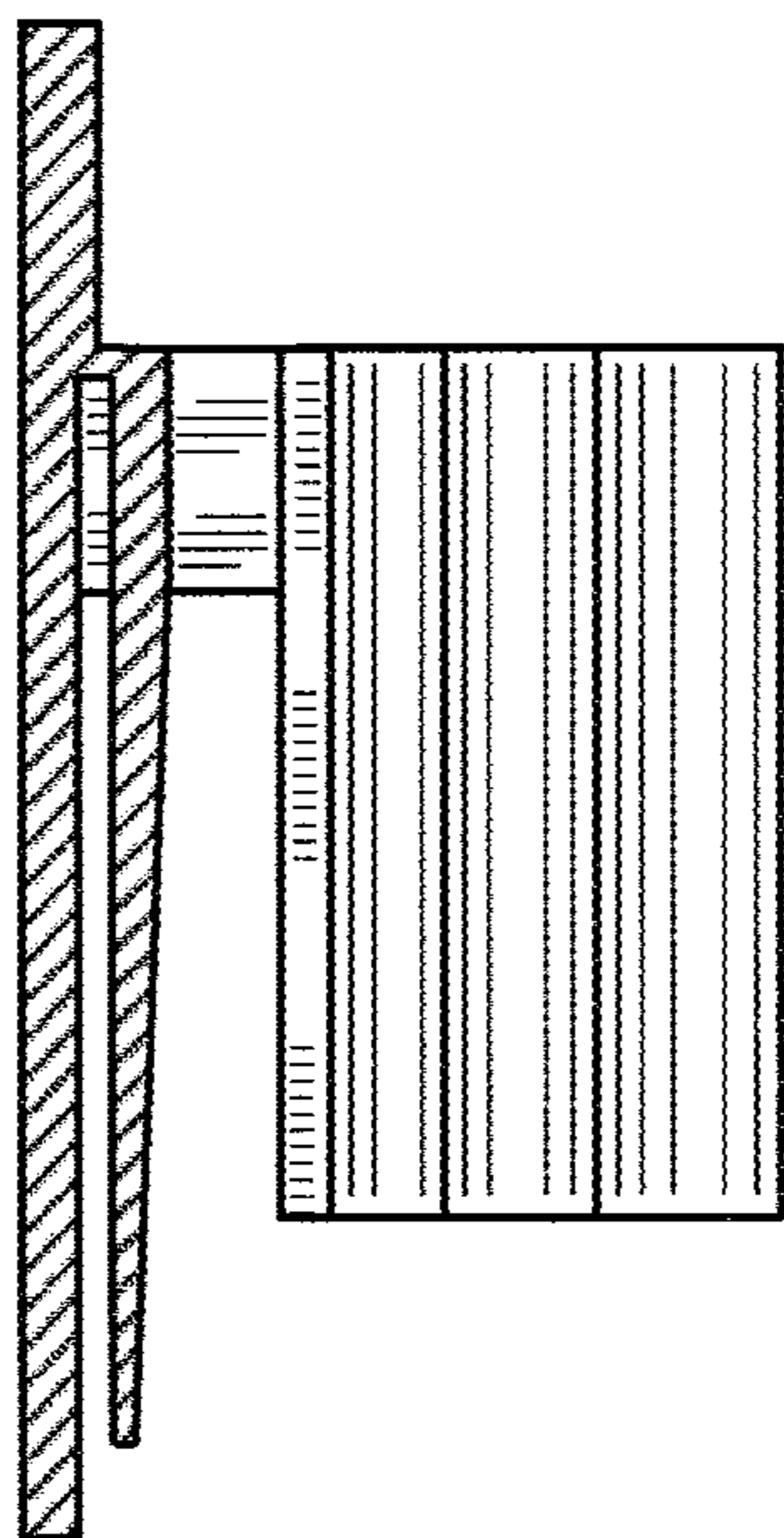


FIG. 7

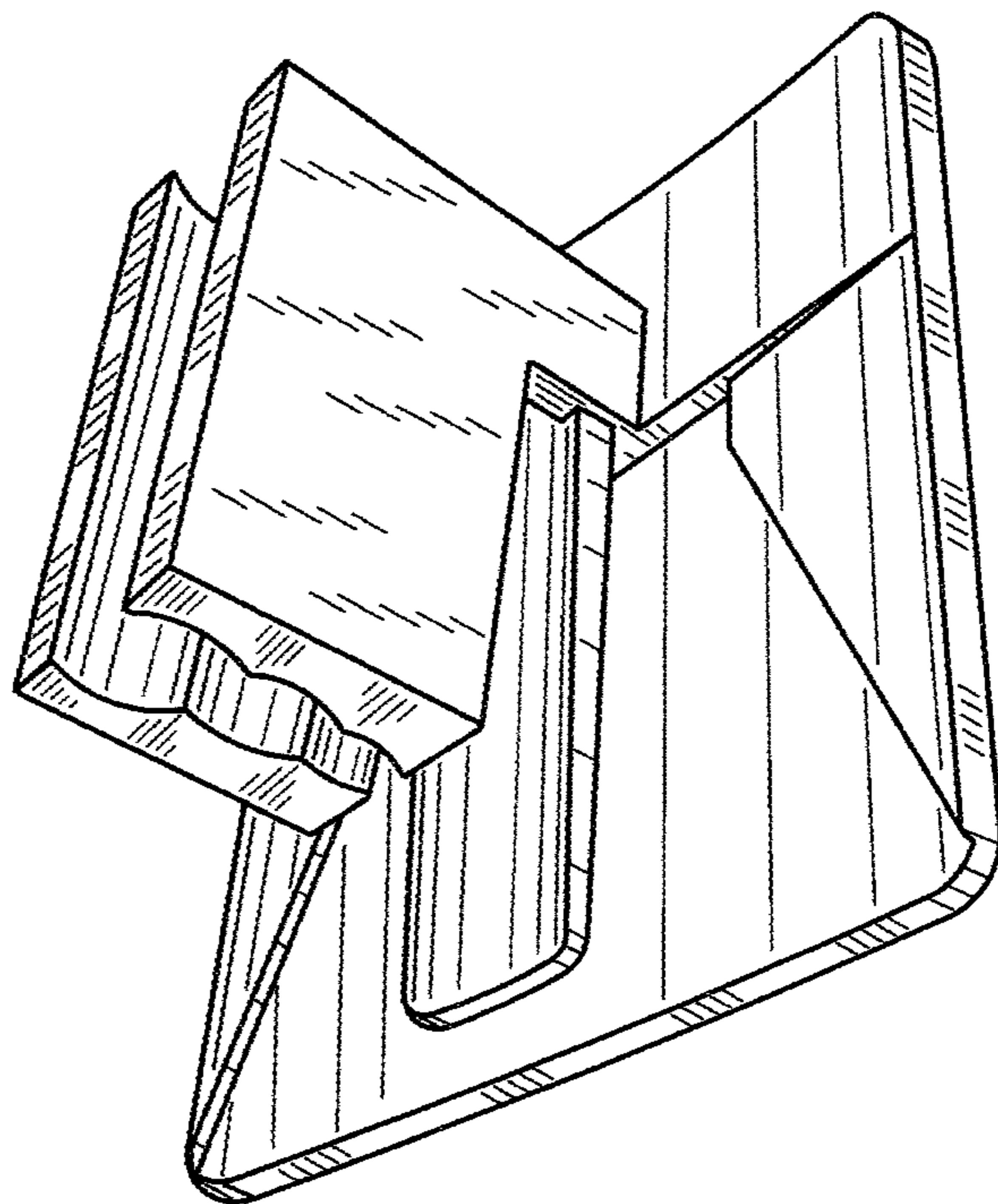


FIG. 8



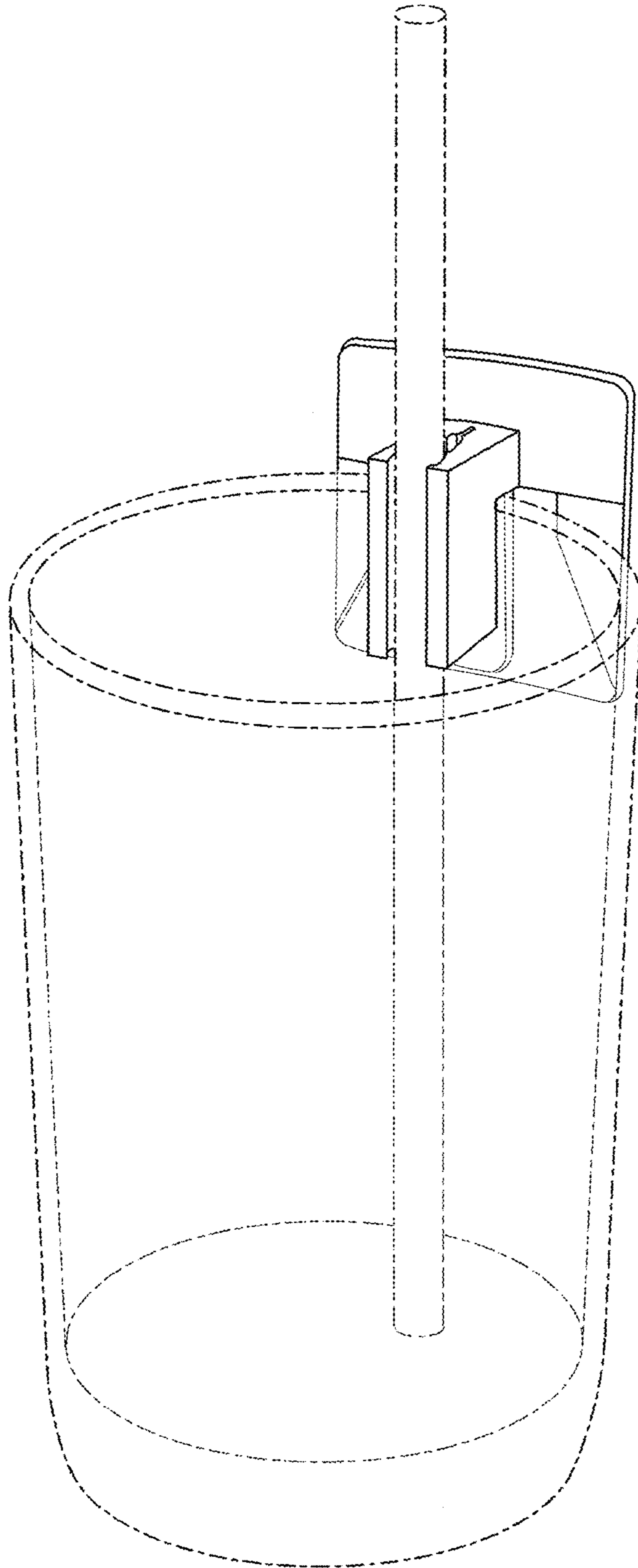


FIG. 9

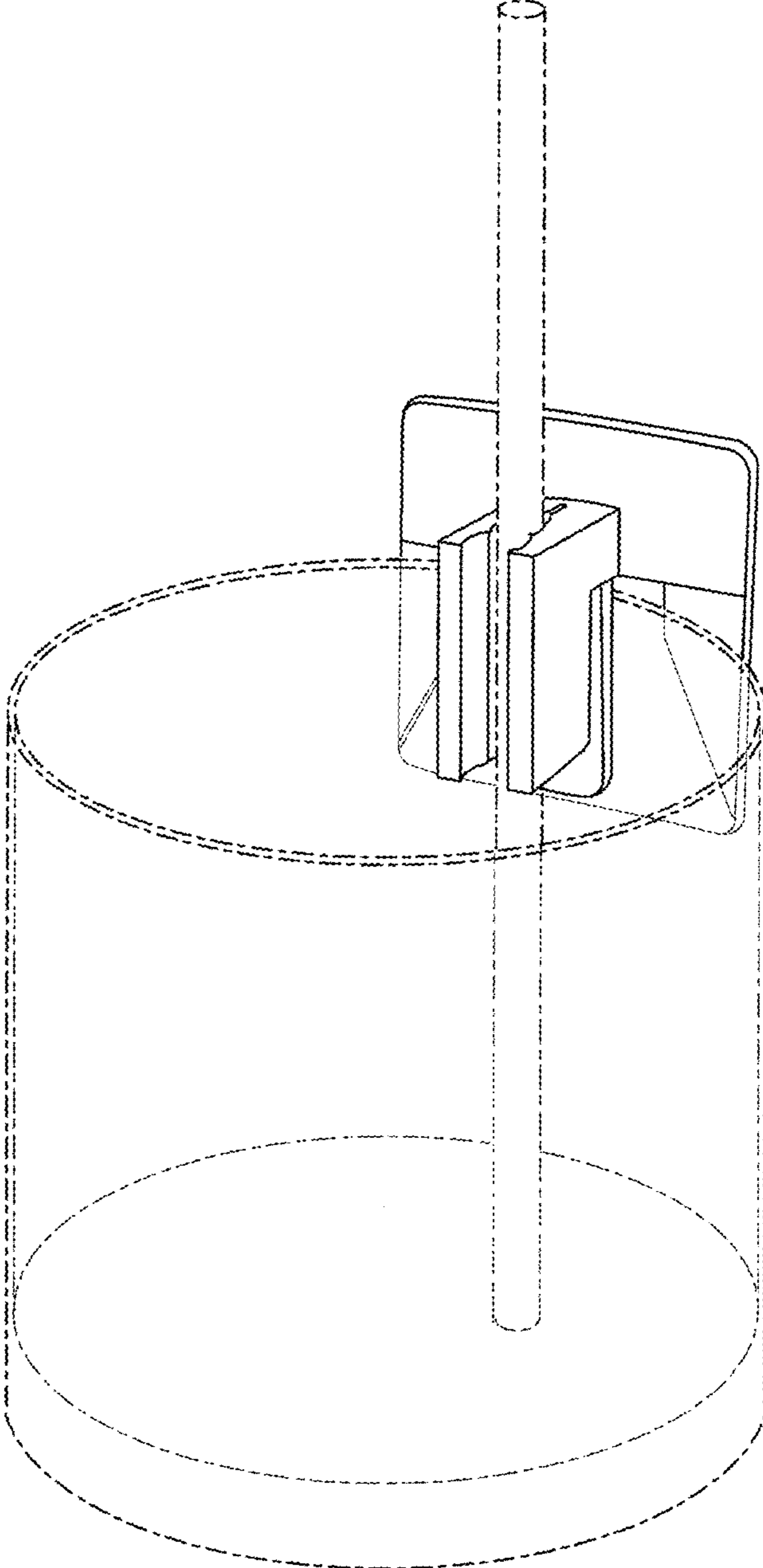


FIG. 10

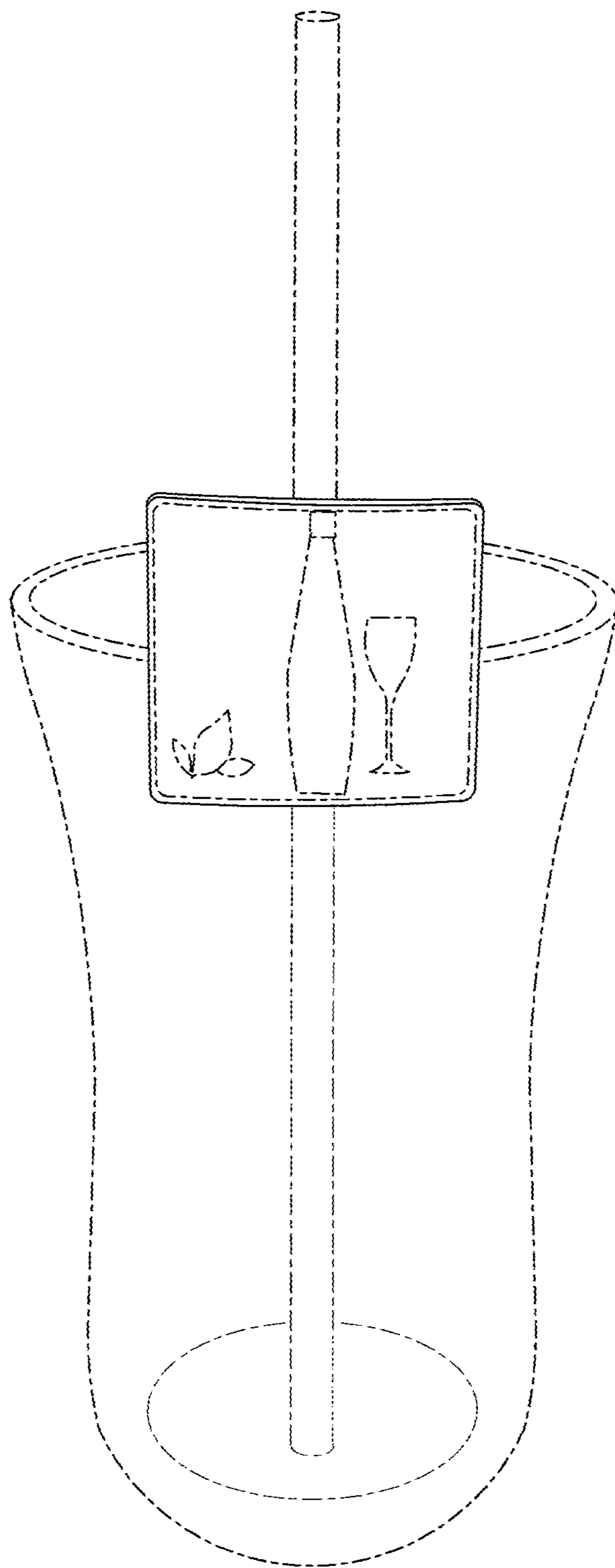


FIG. 11