



US00D894672S

(12) **United States Design Patent**
Huang

(10) **Patent No.:** **US D894,672 S**

(45) **Date of Patent:** **** Sep. 1, 2020**

(54) **LID WITH STRAW**

(71) Applicant: **SHENZHEN WUSHANGLIANGPIN TECHNOLOGY CO., LTD.**, Shenzhen (CN)

(72) Inventor: **Jiehai Huang**, Shenzhen (CN)

(73) Assignee: **SHENZHEN WUSHANGLIANGPIN TECHNOLOGY CO., LTD.**, Shenzhen (CN)

(**) Term: **15 Years**

(21) Appl. No.: **29/732,931**

(22) Filed: **Apr. 28, 2020**

(51) **LOC (12) Cl.** **07-99**

(52) **U.S. Cl.**
USPC **D7/392.1; D7/396.2; D9/443; D9/450**

(58) **Field of Classification Search**
USPC D9/434, 435, 438-441, 443-454, 499, D9/503-505, 682, 685, 686; D7/300.1, D7/387, 391, 392, 392.1, 393, 394, 396.1, D7/396.2, 506, 507, 510, 511, 533, 534, D7/900; D3/202, 203.2, 294, 318; D28/91, 91.1
CPC .. A61J 1/00; A61J 1/1412; B65D 1/00; B65D 1/02; B65D 1/10; B65D 1/46; B65D 5/46; B65D 41/00; B65D 41/38; B65D 41/56; B65D 41/62; B65D 47/00; B65D 47/06; B65D 47/08; B65D 2251/00; B65D 2543/00046; B65D 2543/00092; B65D 2543/00296

See application file for complete search history.

(56) **References Cited**

U.S. PATENT DOCUMENTS

D165,653 S * 1/1952 Johnson D9/443
D547,607 S * 7/2007 Forsman D9/449
D612,235 S * 3/2010 Cresswell D9/443

D649,879 S * 12/2011 Gullickson D9/450
D651,847 S * 1/2012 Gilbert D7/392.1
D683,581 S * 6/2013 Archer D9/447
D685,606 S * 7/2013 Keys D9/450
D704,986 S * 5/2014 Manies D7/392.1
D729,569 S * 5/2015 Herbst D7/392
D786,012 S * 5/2017 Hein D7/396.2
D799,320 S * 10/2017 Goodwin D7/392.1
D804,903 S * 12/2017 Mason D7/510
D810,500 S * 2/2018 Maple D7/392.1
D811,162 S * 2/2018 Rane D7/396.2
D812,966 S * 3/2018 Murosky D7/392.1
D814,855 S * 4/2018 Hammer D7/392.1
D820,637 S * 6/2018 Davis D7/392.1
D835,938 S * 12/2018 Zou D7/392.1
D855,388 S * 8/2019 Potter D7/392

(Continued)

FOREIGN PATENT DOCUMENTS

CN 305557813 * 1/2020

Primary Examiner — Wendy L Arminio

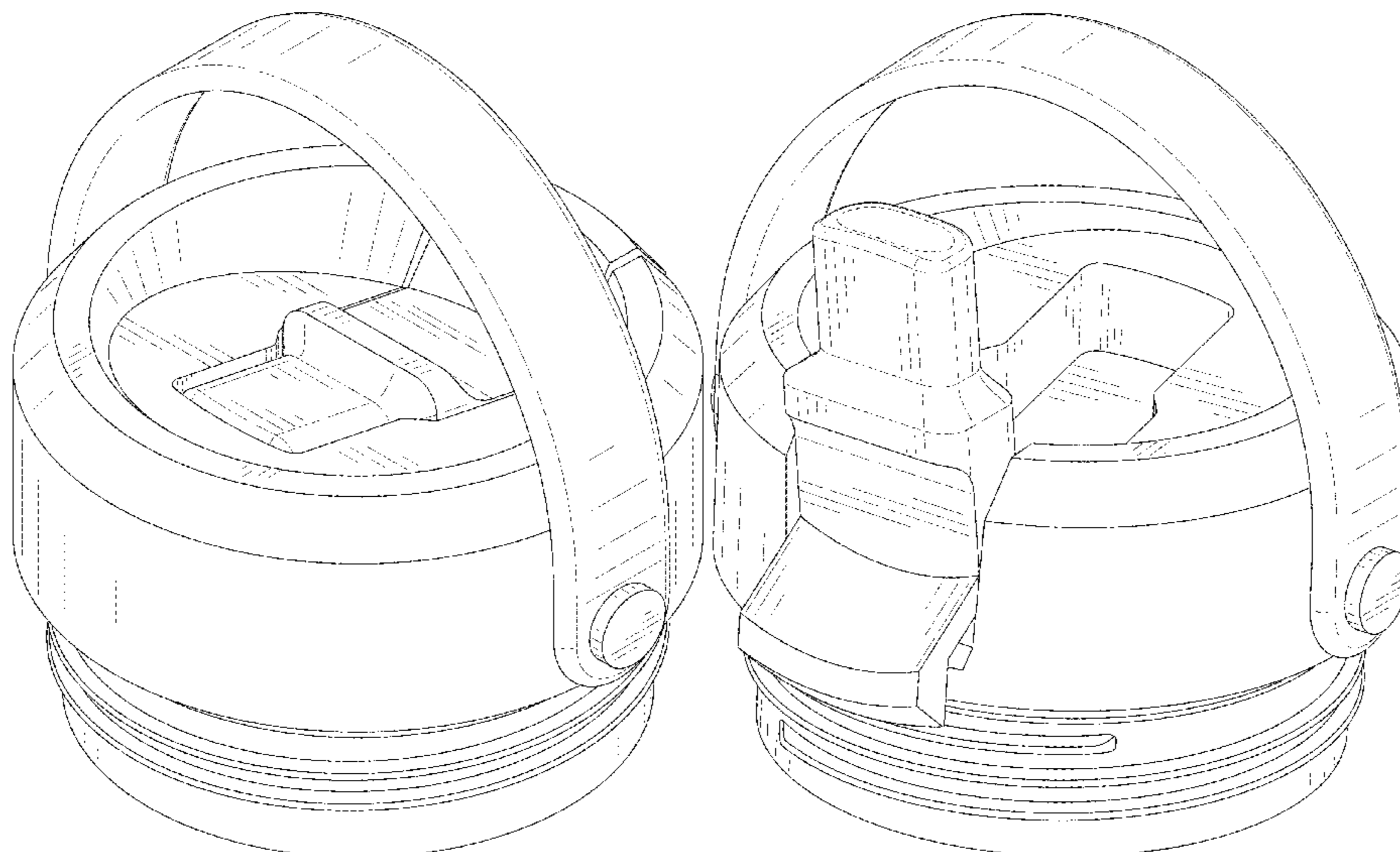
(57) **CLAIM**

The ornamental design for a lid with straw, as shown and described.

DESCRIPTION

FIG. 1 is a perspective view of a lid with straw showing my new design;
FIG. 2 is another perspective view thereof;
FIG. 3 is a front elevational view thereof;
FIG. 4 is a rear elevational view thereof;
FIG. 5 is a left side elevational view thereof;
FIG. 6 is a right side elevational view thereof;
FIG. 7 is a top plan view thereof;
FIG. 8 is a bottom plan view thereof; and,
FIG. 9 is a perspective view of the lid with straw of FIG. 1 showing the straw in an open configuration.
The broken lines in the drawings depict portions of the lid with straw that form no part of the claimed design.

1 Claim, 9 Drawing Sheets



(56)

References Cited

U.S. PATENT DOCUMENTS

D862,985 S * 10/2019 Backs D7/511
D868,534 S * 12/2019 Lin D7/392.1
D870,508 S * 12/2019 Palkon D7/392.1
D872,522 S * 1/2020 Diener D7/392.1
D872,524 S * 1/2020 Bo D7/392.1
D875,466 S * 2/2020 Diener D7/396.2
D881,642 S * 4/2020 Zhang D7/392.1
D885,120 S * 5/2020 Yao D7/392
D886,517 S * 6/2020 Bo D7/392.1
2009/0283535 A1 11/2009 Mesalic
2014/0138395 A1* 5/2014 Joy A47G 19/2272
220/715
2016/0296051 A1 10/2016 Lane et al.
2016/0318693 A1* 11/2016 Hein B65D 51/242

* cited by examiner

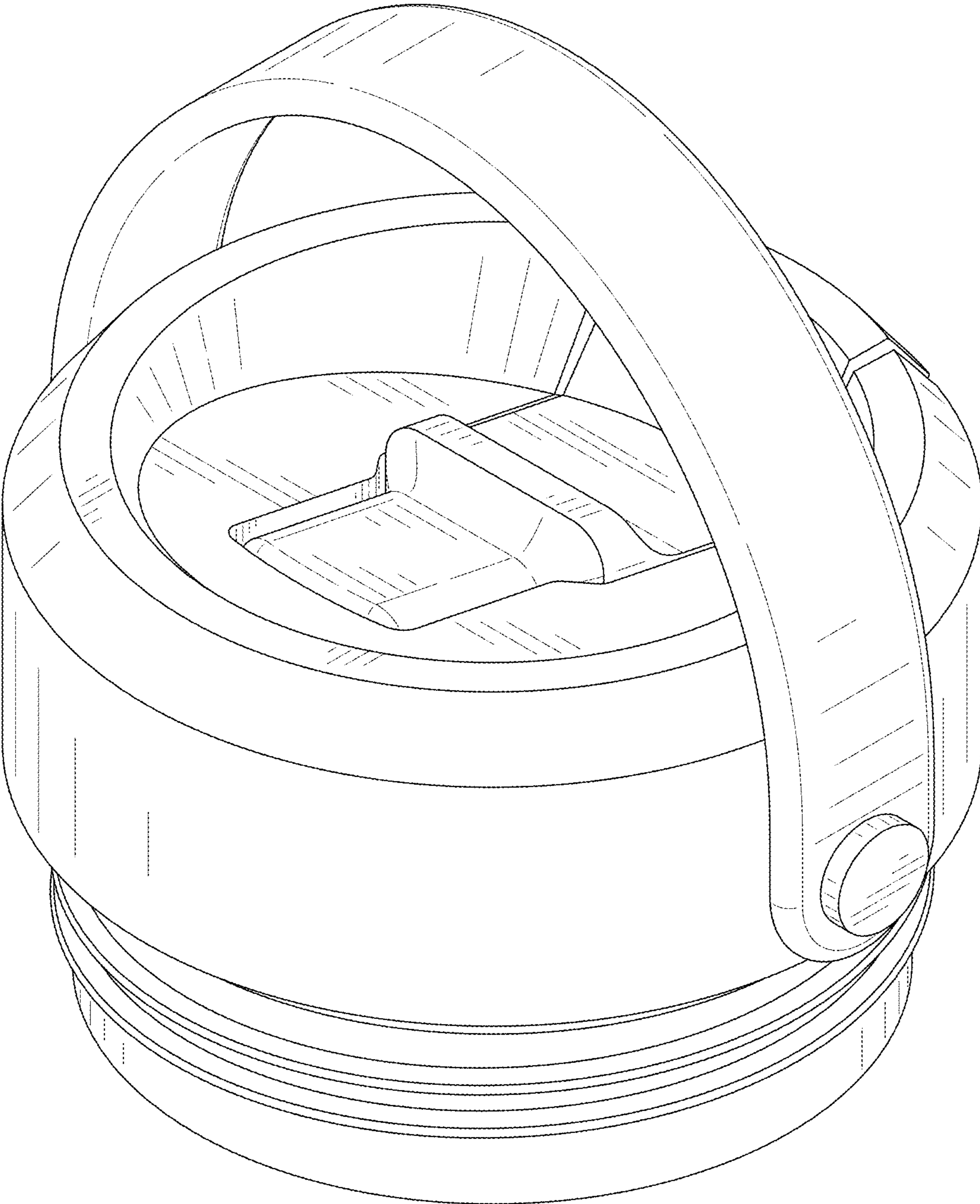


FIG. 1

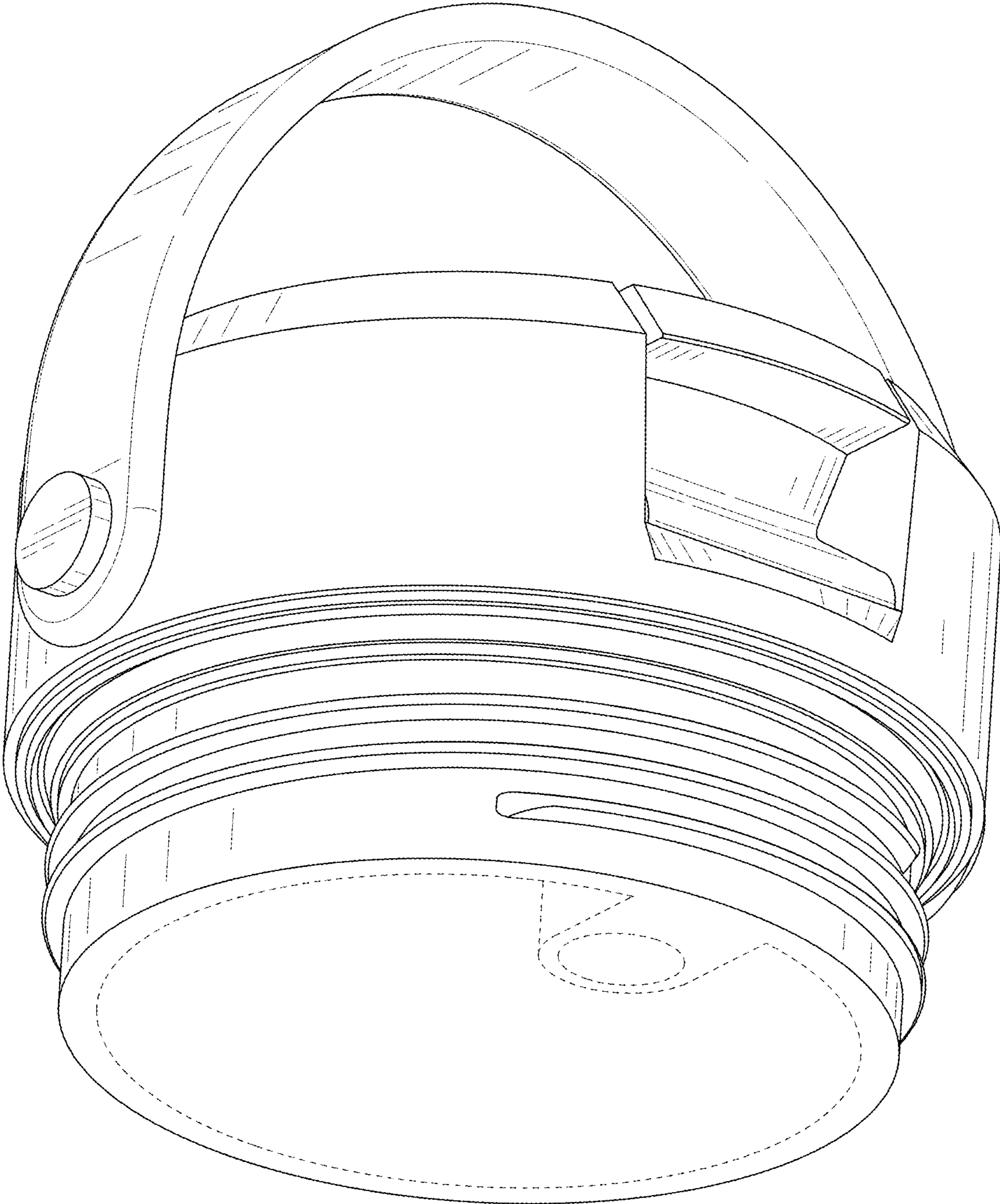


FIG. 2

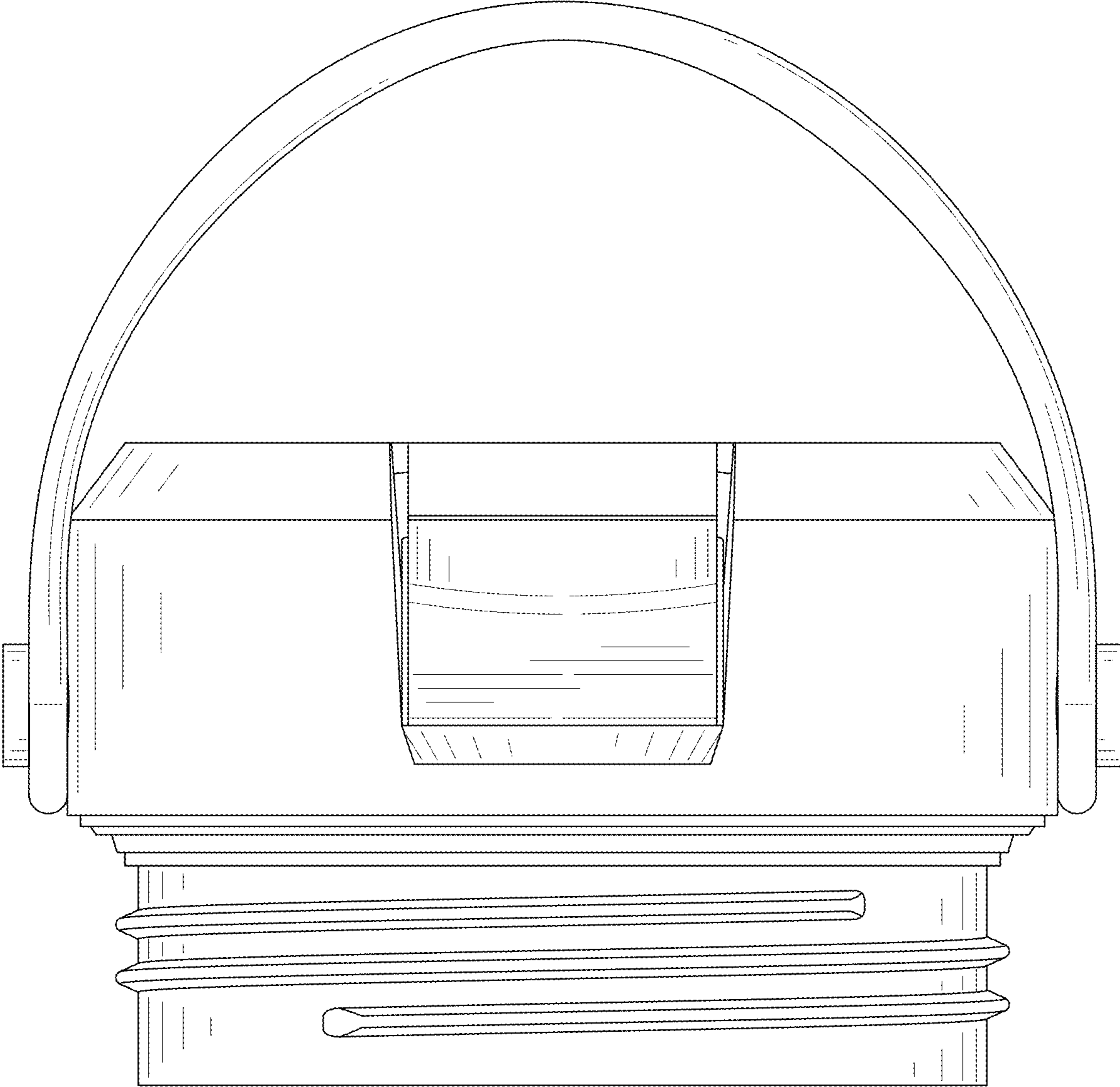


FIG. 3

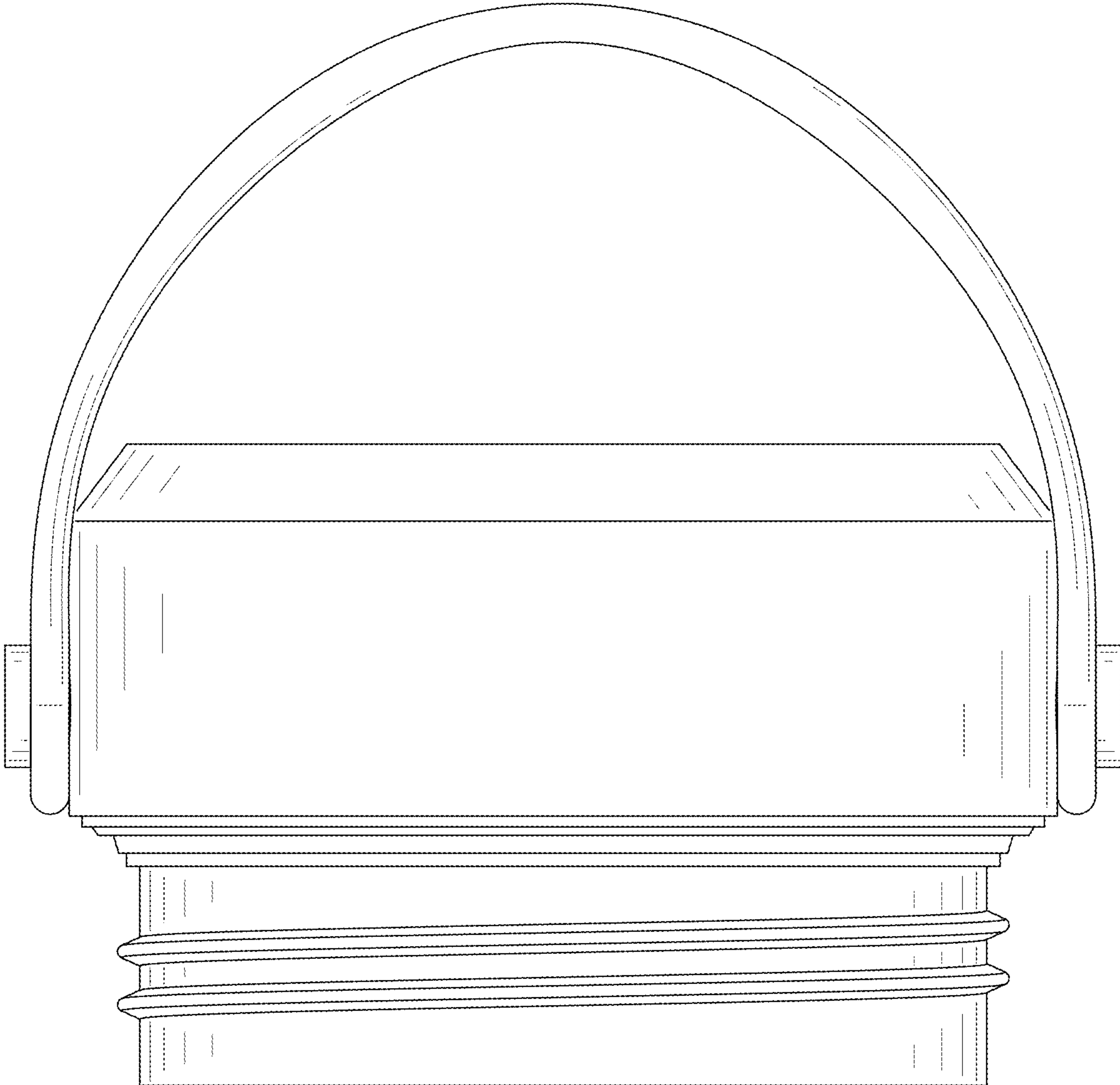


FIG. 4

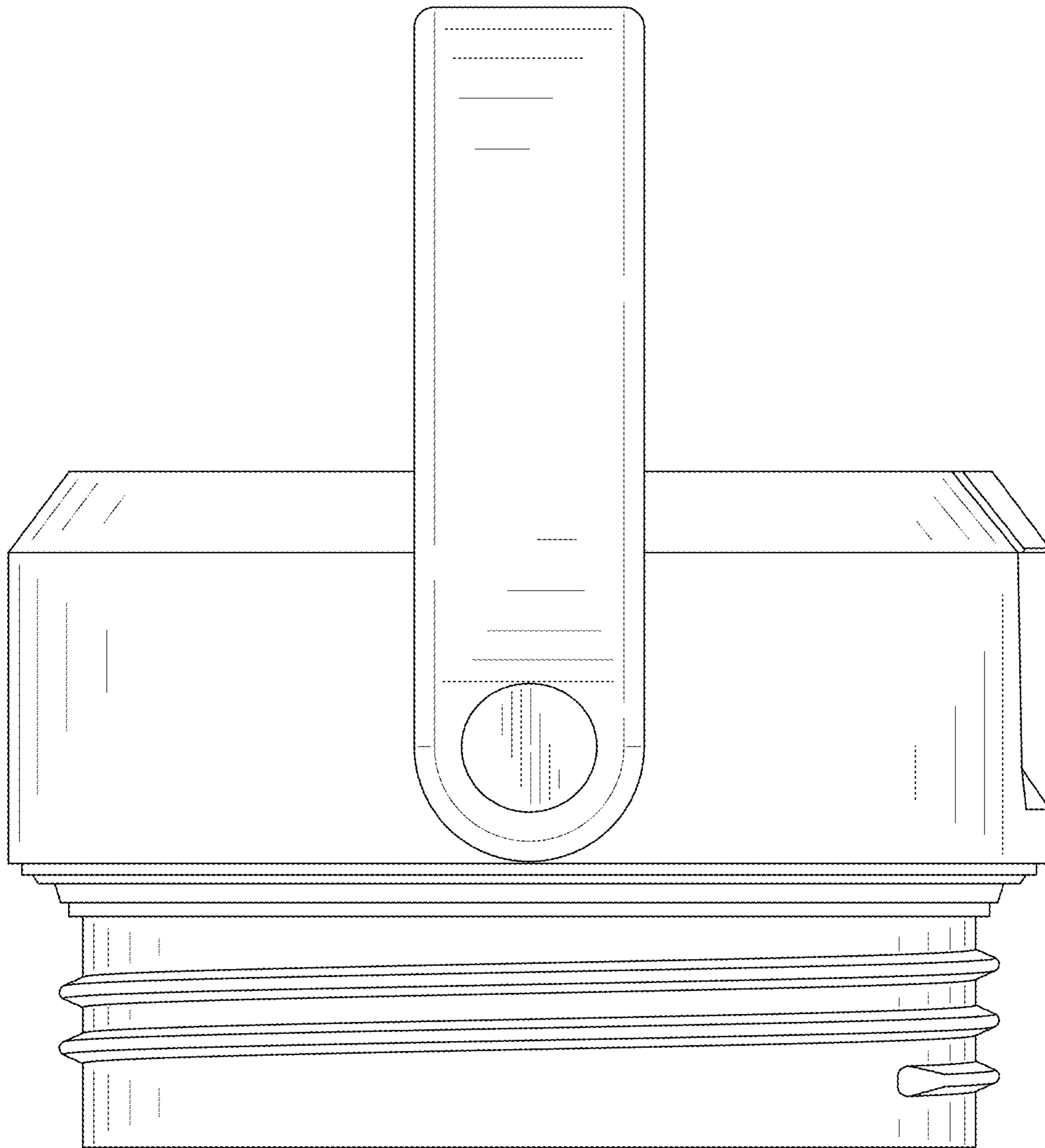


FIG. 5

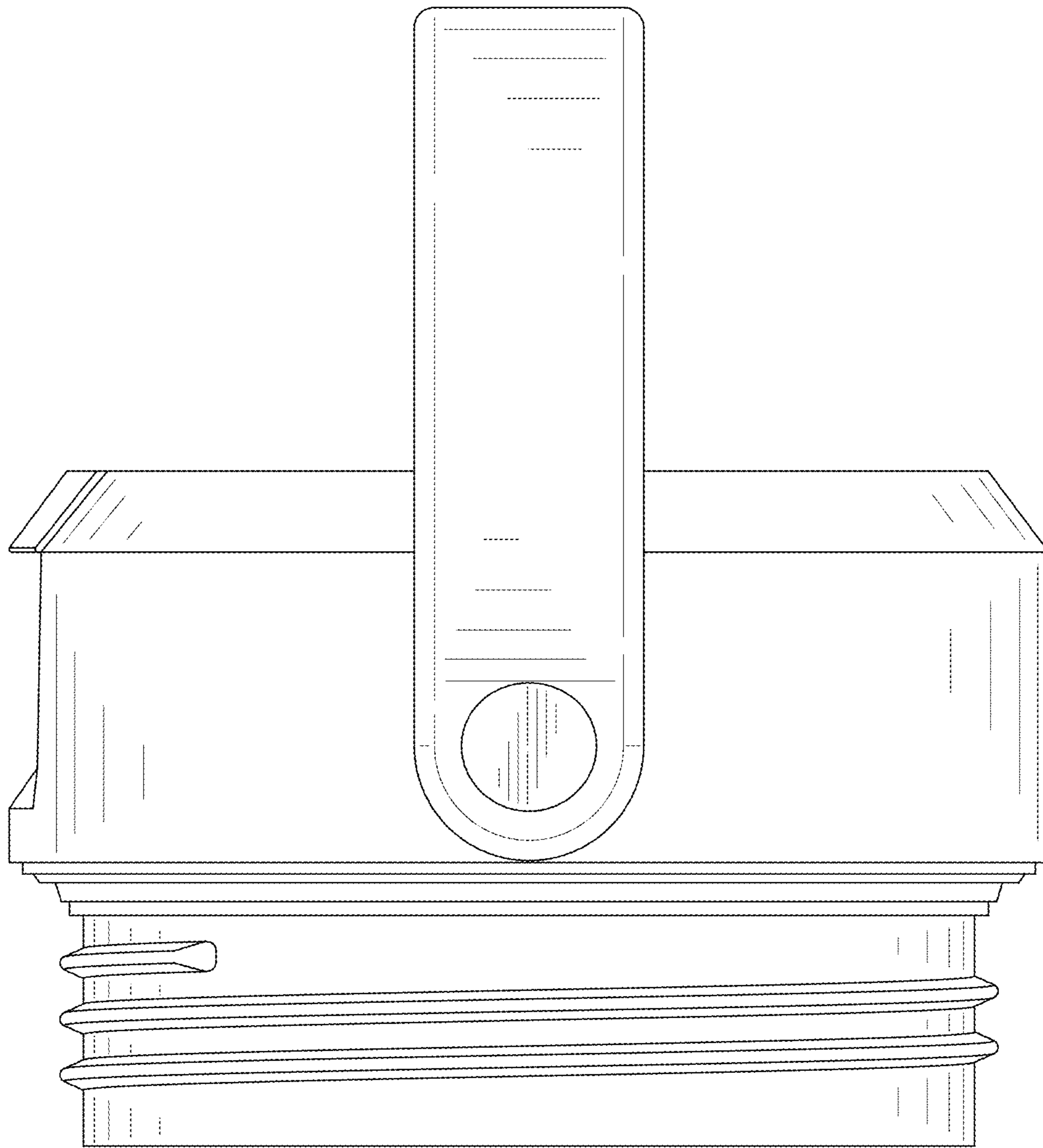


FIG. 6

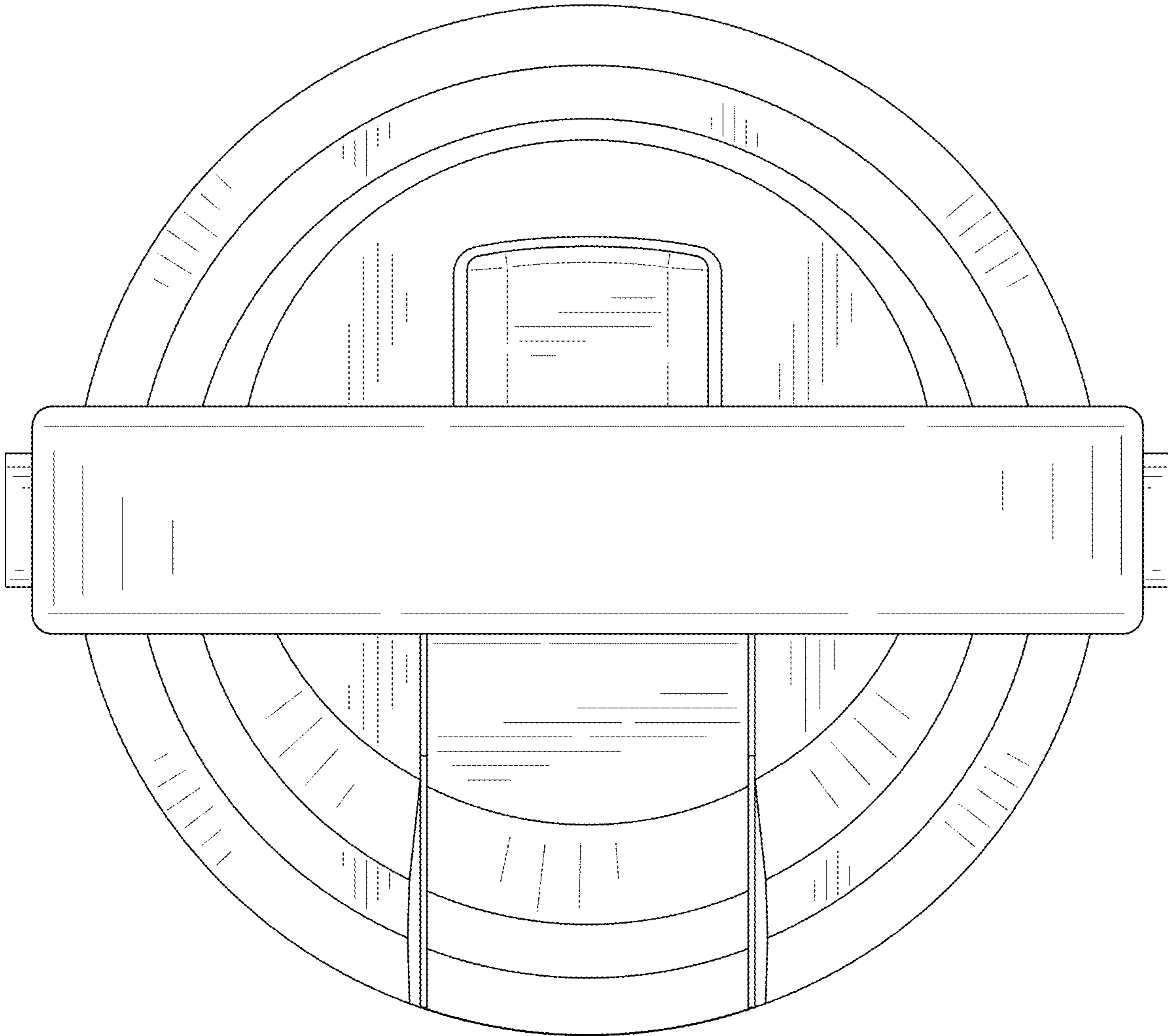


FIG. 7

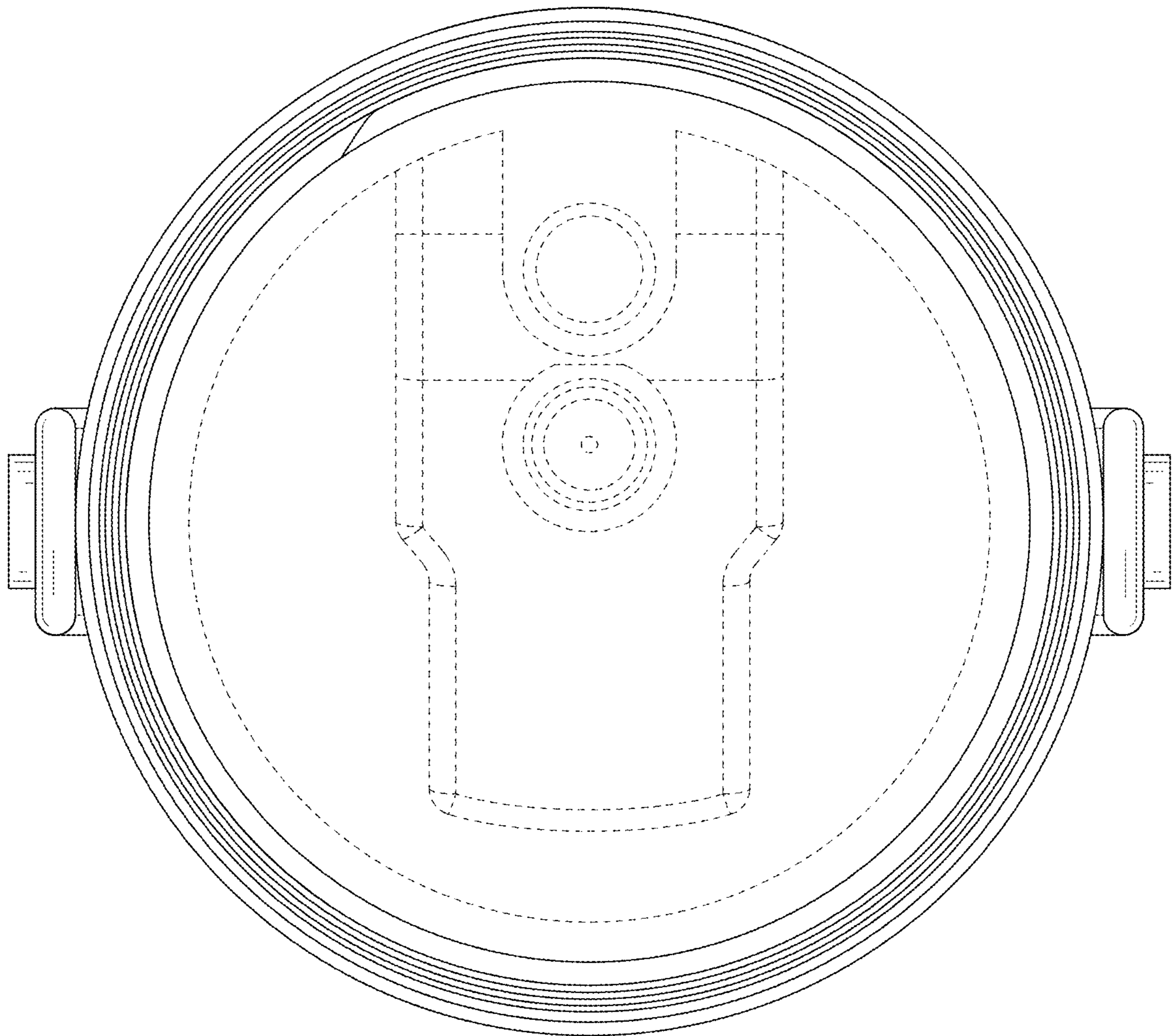


FIG. 8

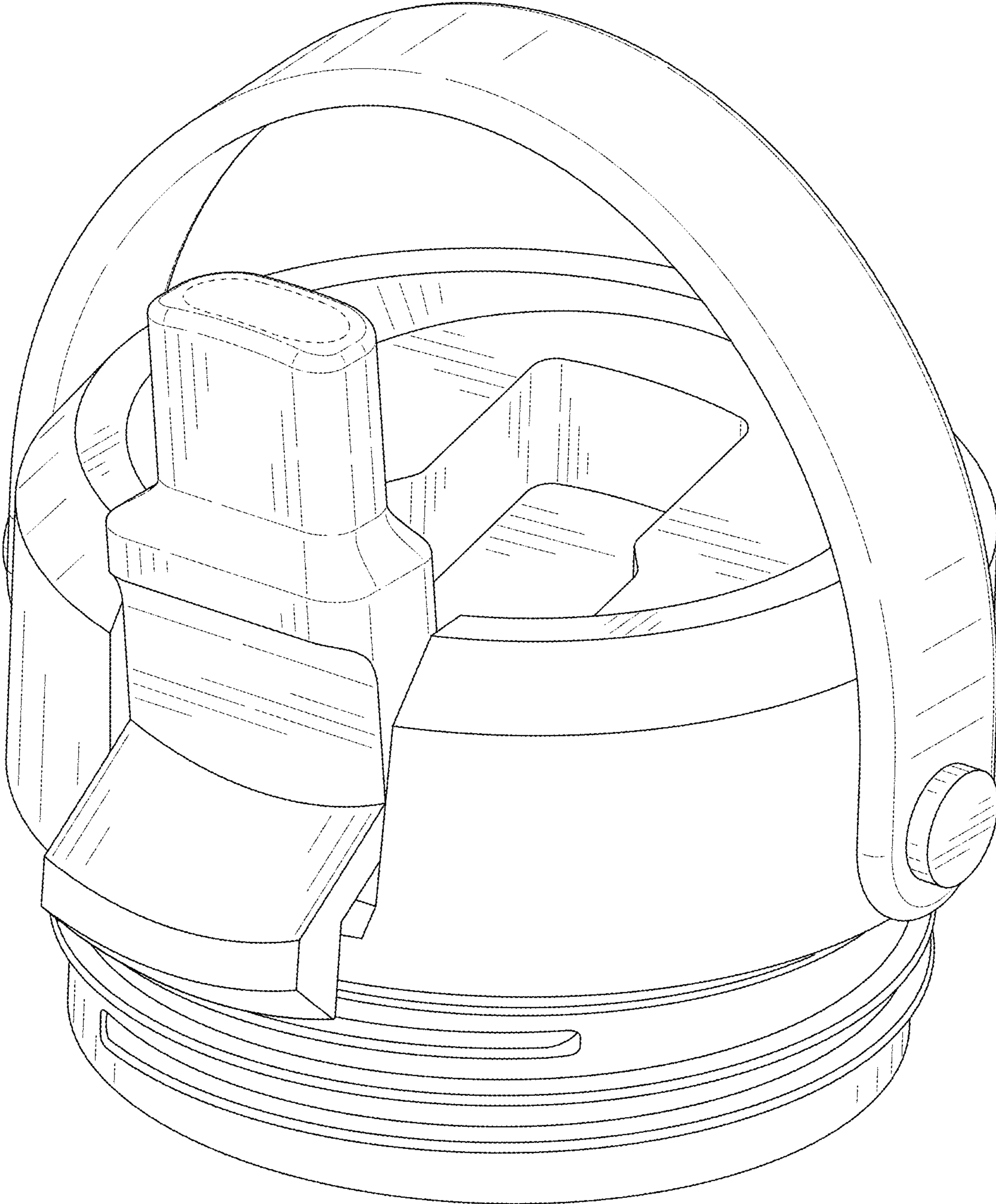


FIG. 9