



US00D894671S

(12) **United States Design Patent**  
**Huang**

(10) **Patent No.:** **US D894,671 S**

(45) **Date of Patent:** **\*\* Sep. 1, 2020**

(54) **LID WITH STRAW**

(71) Applicant: **SHENZHEN WUSHANGLIANGPIN TECHNOLOGY CO., LTD.**, Shenzhen (CN)

(72) Inventor: **Jiehai Huang**, Shenzhen (CN)

(73) Assignee: **SHENZHEN WUSHANGLIANGPIN TECHNOLOGY CO., LTD.**, Shenzhen (CN)

(\*\*) Term: **15 Years**

(21) Appl. No.: **29/732,930**

(22) Filed: **Apr. 28, 2020**

(51) **LOC (12) Cl.** ..... **07-99**

(52) **U.S. Cl.**  
USPC ..... **D7/392.1; D7/396.2; D9/443; D9/450**

(58) **Field of Classification Search**  
USPC ..... D9/434, 435, 438-441, 443-454, 499, D9/503-505, 682, 685, 686; D7/300.1, D7/387, 391, 392, 392.1, 393, 394, 396.1, D7/396.2, 506, 507, 510, 511, 533, 534, D7/900; D3/202, 203.2, 294, 318; D28/91, 91.1  
CPC .. A61J 1/00; A61J 1/1412; B65D 1/00; B65D 1/02; B65D 1/10; B65D 1/46; B65D 5/46; B65D 41/00; B65D 41/38; B65D 41/56; B65D 41/62; B65D 47/00; B65D 47/06; B65D 47/08; B65D 2251/00; B65D 2543/00046; B65D 2543/00092; B65D 2543/00296

See application file for complete search history.

(56) **References Cited**

**U.S. PATENT DOCUMENTS**

D165,653 S \* 1/1952 Johnson ..... D9/443  
D547,607 S \* 7/2007 Forsman ..... D9/449  
D614,440 S \* 4/2010 Cresswell ..... D7/392.1

D649,879 S \* 12/2011 Gullickson ..... D9/443  
D683,581 S \* 6/2013 Archer ..... D9/447  
D685,606 S \* 7/2013 Keys ..... D9/450  
D704,986 S \* 5/2014 Manies ..... D7/392.1  
D729,569 S \* 5/2015 Herbst ..... D7/392  
D752,916 S \* 4/2016 Goodwin ..... D7/396.2  
D760,080 S \* 6/2016 Gorbald ..... D9/443  
D786,012 S \* 5/2017 Hein ..... D7/396.2  
D799,320 S \* 10/2017 Goodwin ..... D7/392.1  
D804,903 S \* 12/2017 Mason ..... D7/510  
D810,500 S \* 2/2018 Maple ..... D7/392.1  
D811,162 S \* 2/2018 Rane ..... D7/396.2  
D812,966 S \* 3/2018 Murosky ..... D7/392.1  
D814,855 S \* 4/2018 Hammer ..... D7/392.1  
D820,637 S \* 6/2018 Davis ..... D7/392.1

(Continued)

**FOREIGN PATENT DOCUMENTS**

CN 305557813 \* 1/2020  
CN 305832724 \* 6/2020

*Primary Examiner* — Wendy L Arminio

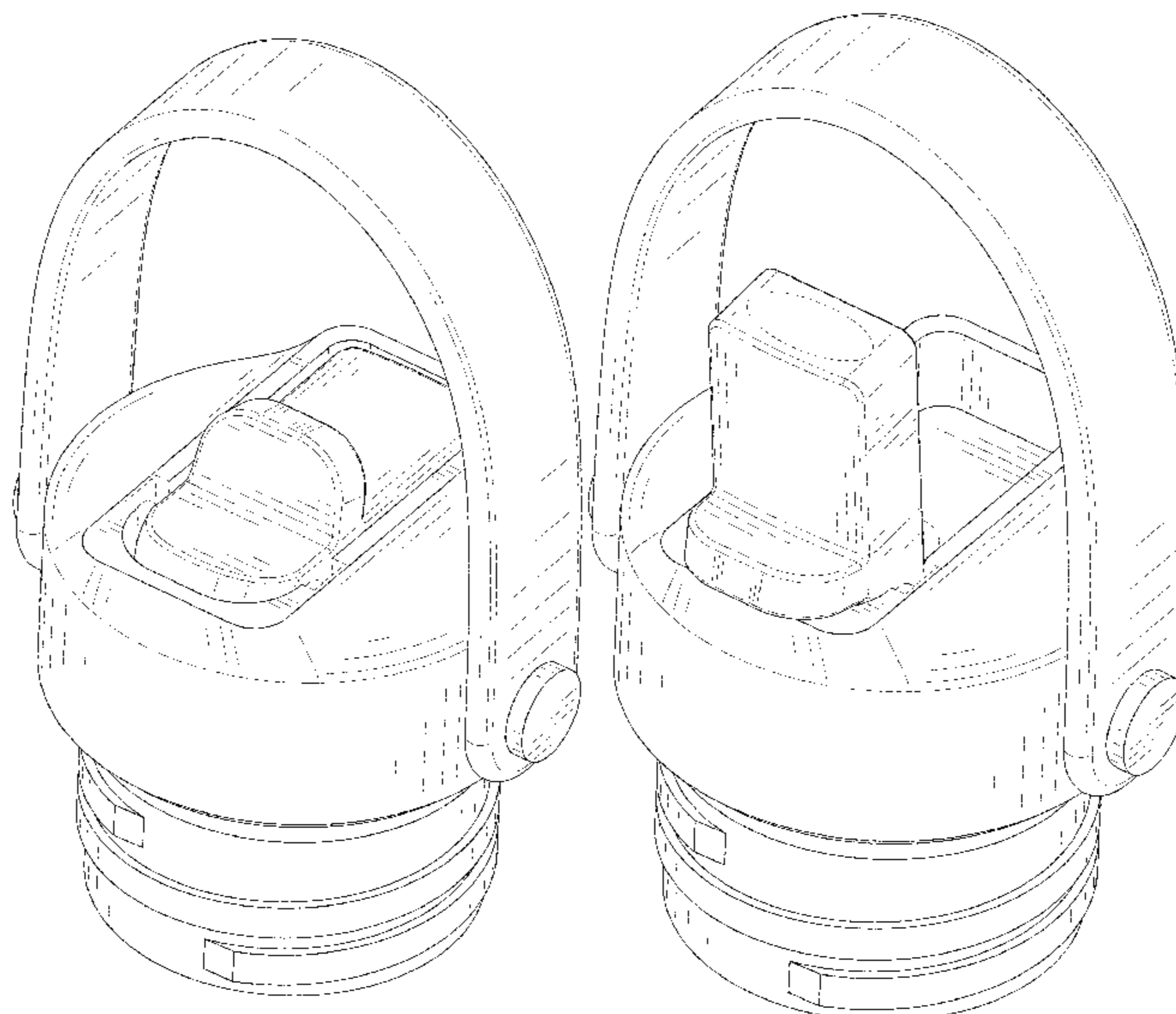
(57) **CLAIM**

The ornamental design for a lid with straw, as shown and described.

**DESCRIPTION**

FIG. 1 is a perspective view of a lid with straw showing my new design;  
FIG. 2 is another perspective view thereof;  
FIG. 3 is a front elevational view thereof;  
FIG. 4 is a rear elevational view thereof;  
FIG. 5 is a left side elevational view thereof;  
FIG. 6 is a right side elevational view thereof;  
FIG. 7 is a top plan view thereof;  
FIG. 8 is a bottom plan view thereof; and,  
FIG. 9 is a perspective view of the lid with straw of FIG. 1 showing the straw in an open configuration.  
The broken lines in the drawings depict portions of the lid with straw that form no part of the claimed design.

**1 Claim, 9 Drawing Sheets**



(56)

**References Cited**

U.S. PATENT DOCUMENTS

D835,938	S	*	12/2018	Zou	.....	D7/392.1
D853,236	S	*	7/2019	Yao	.....	D9/436
D853,237	S	*	7/2019	Yao	.....	D9/436
D855,388	S	*	8/2019	Potter	.....	D7/392
D862,228	S	*	10/2019	Yao	.....	D9/443
D862,985	S	*	10/2019	Backs	.....	D7/511
D868,534	S	*	12/2019	Lin	.....	D7/392.1
D870,508	S	*	12/2019	Palkon	.....	D7/392.1
D872,522	S	*	1/2020	Diener	.....	D7/392.1
D872,524	S	*	1/2020	Bo	.....	D7/392.1
D875,466	S	*	2/2020	Diener	.....	D7/396.2
D885,120	S	*	5/2020	Yao	.....	D7/392
D886,517	S	*	6/2020	Bo	.....	D7/392.1
2014/0138395	A1	*	5/2014	Joy	.....	A47G 19/2272 220/715
2015/0008220	A1		1/2015	Wang		
2016/0296051	A1		10/2016	Lane et al.		
2016/0318693	A1	*	11/2016	Hein	.....	B65D 51/242

\* cited by examiner

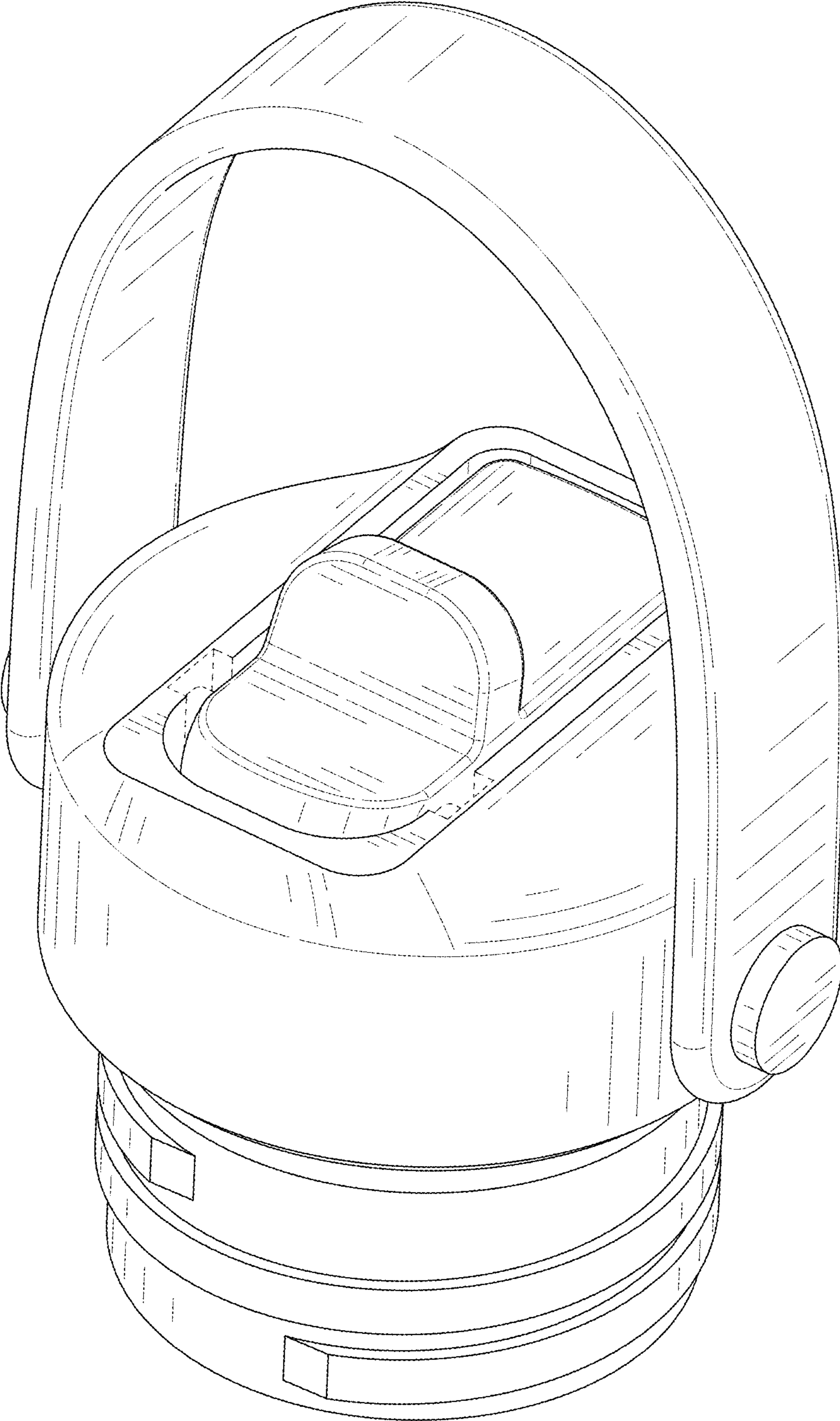


FIG. 1

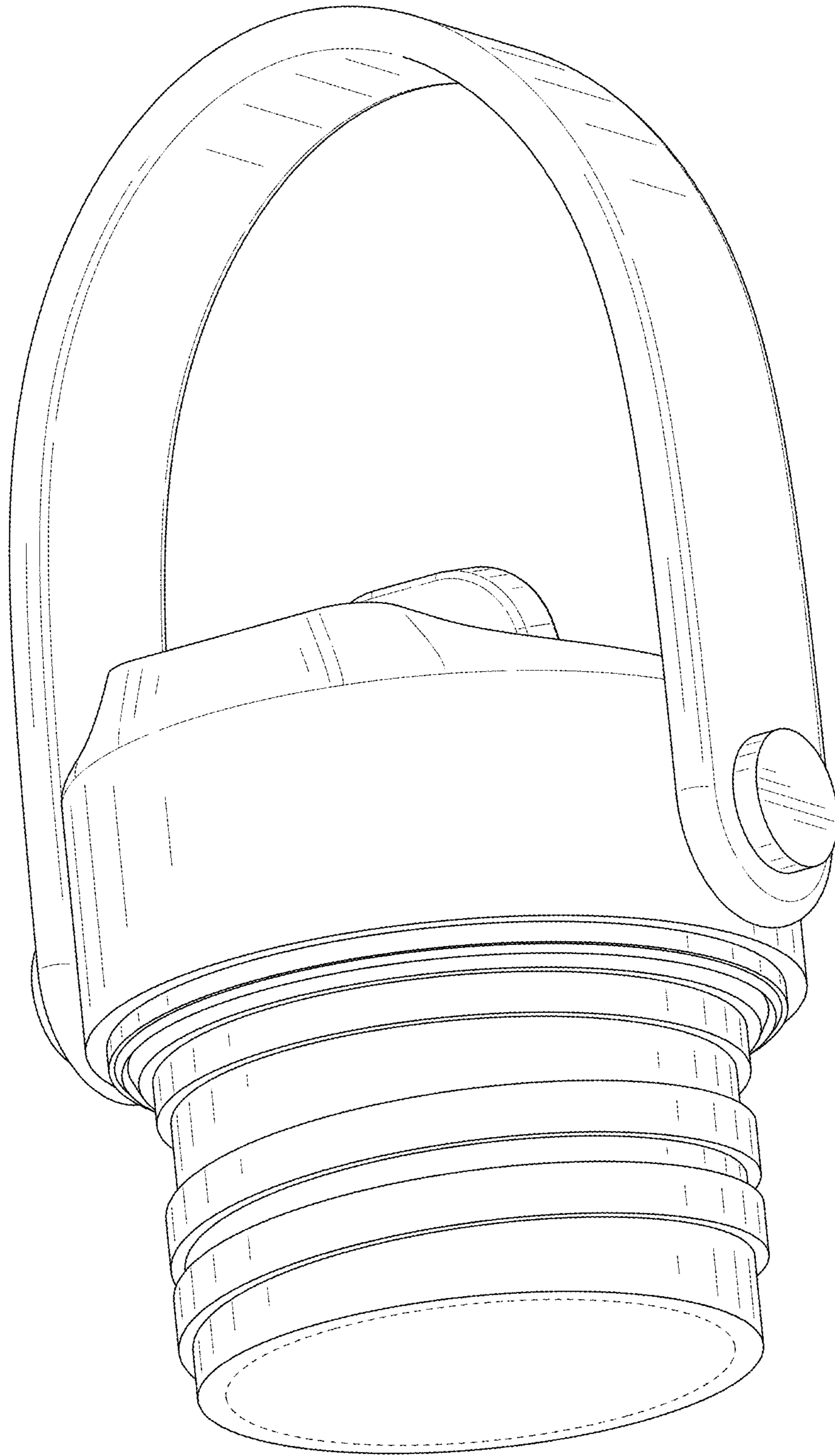


FIG. 2



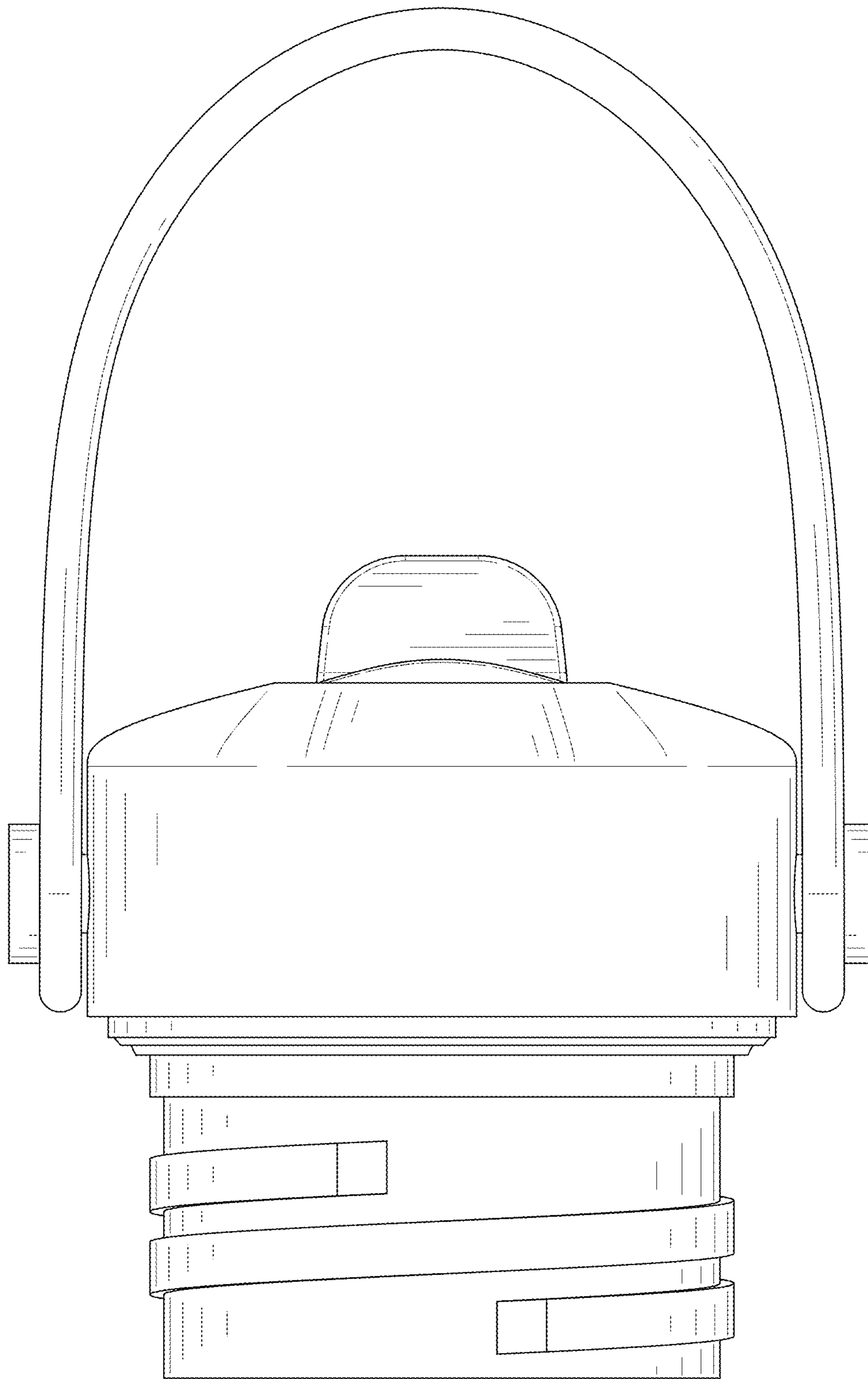


FIG. 3

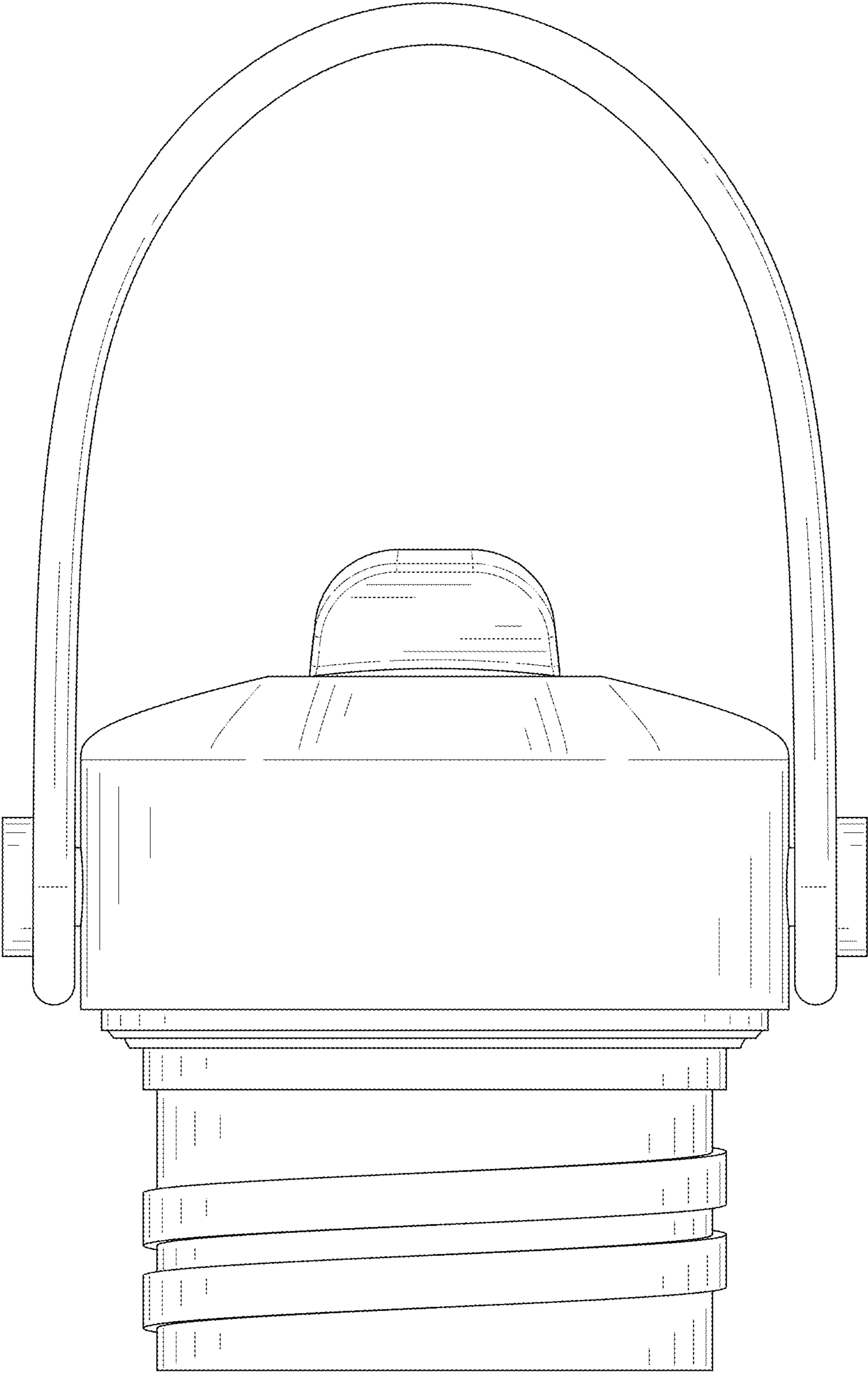


FIG. 4

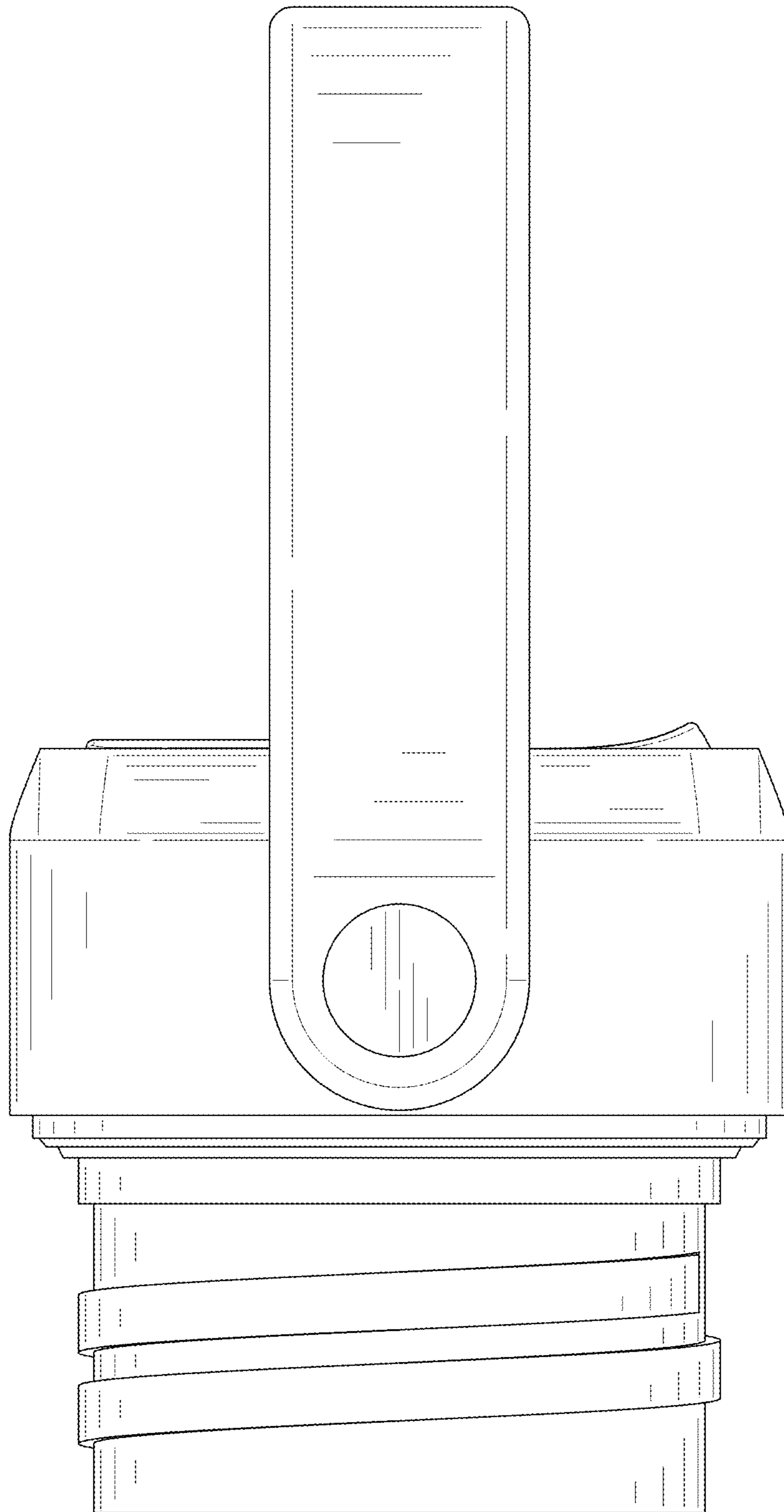


FIG. 5

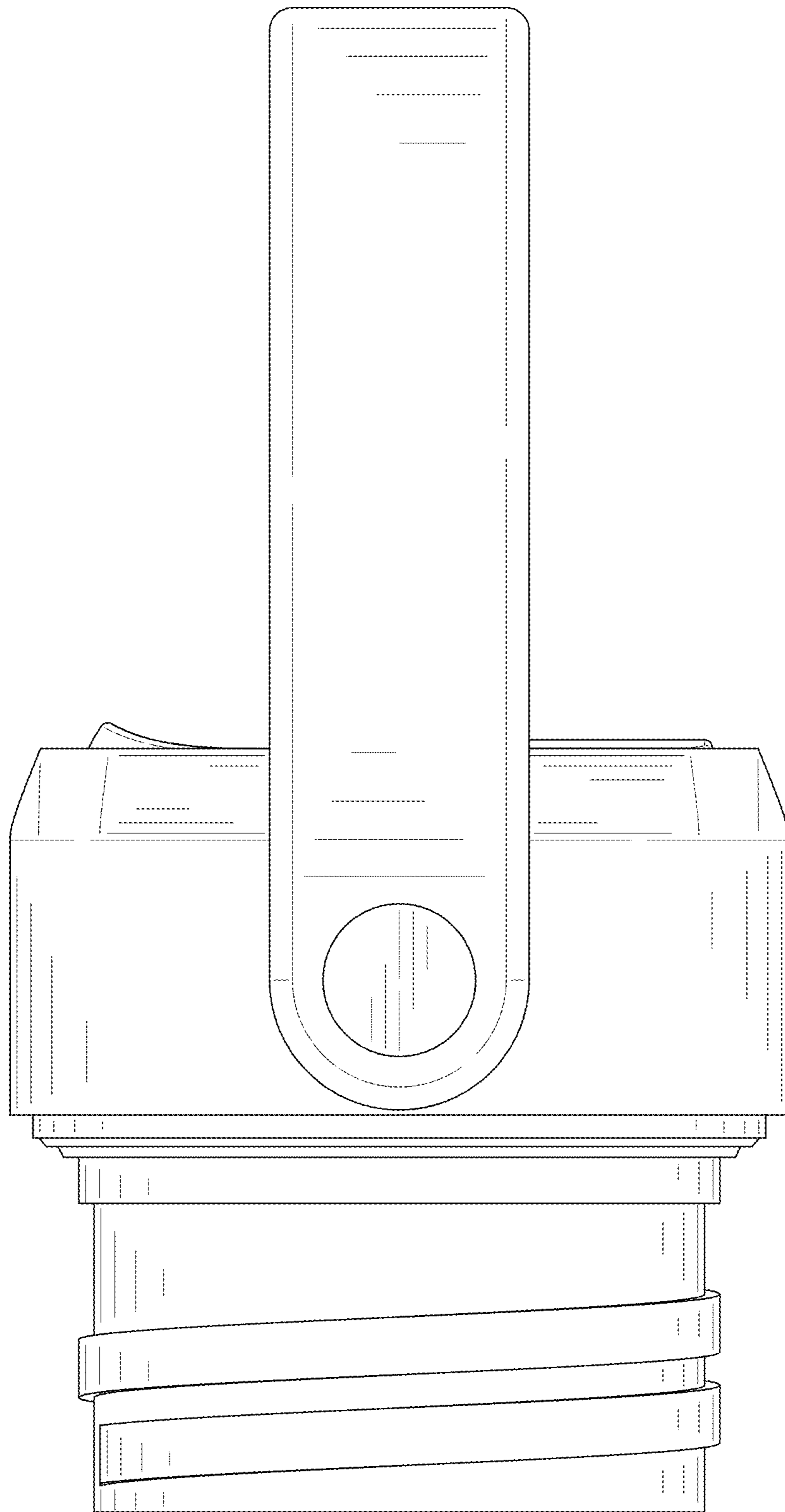


FIG. 6



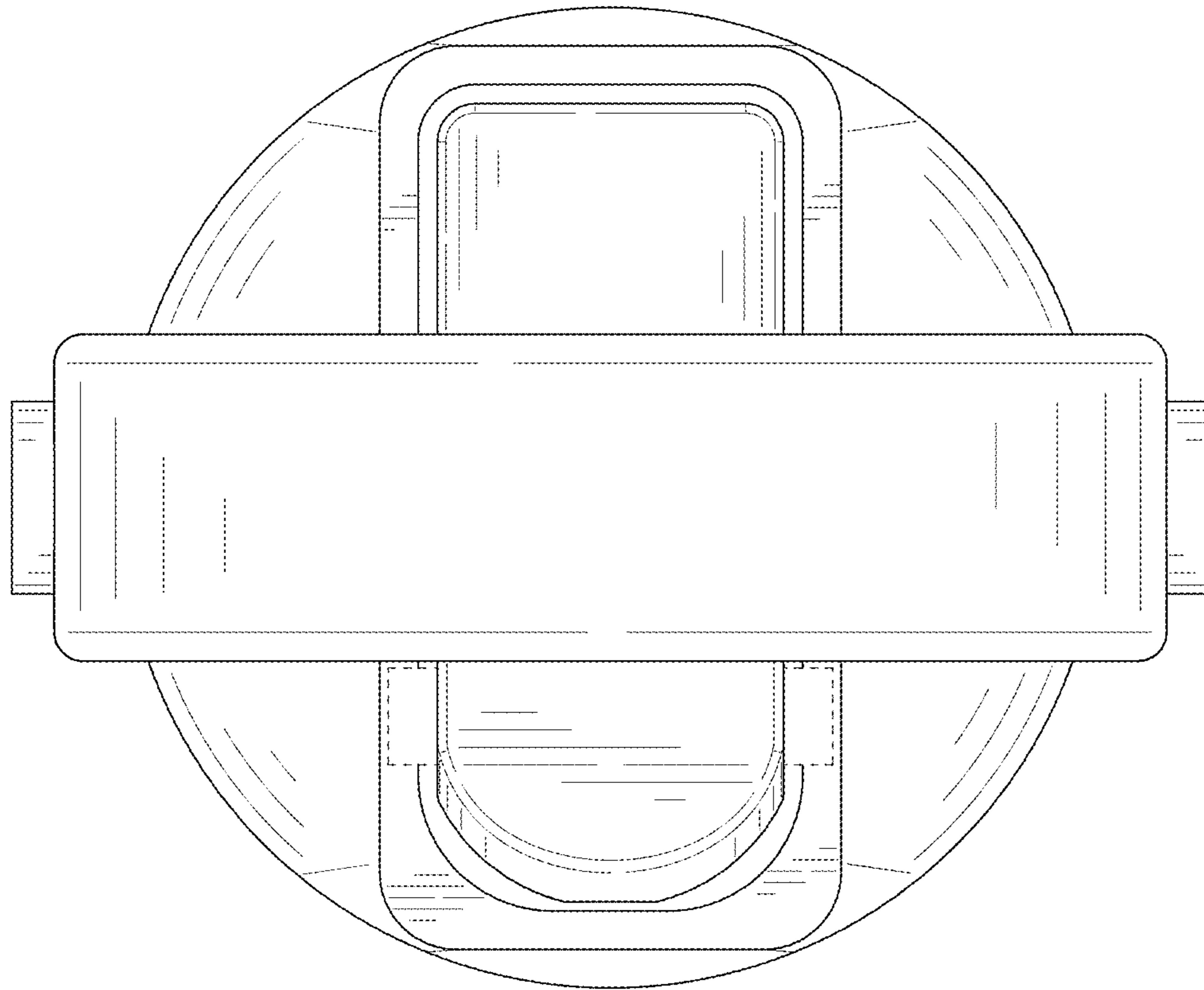


FIG. 7

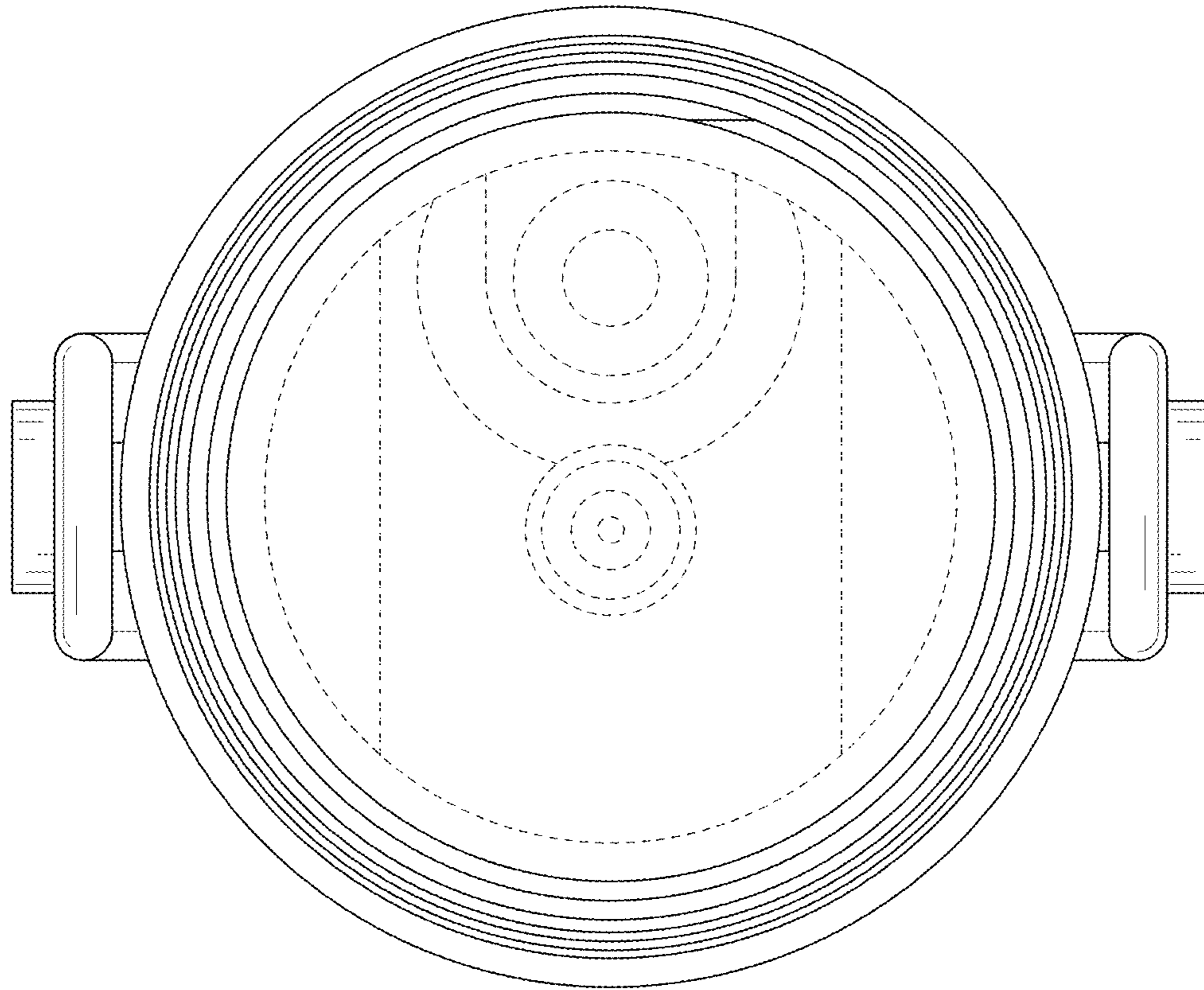


FIG. 8

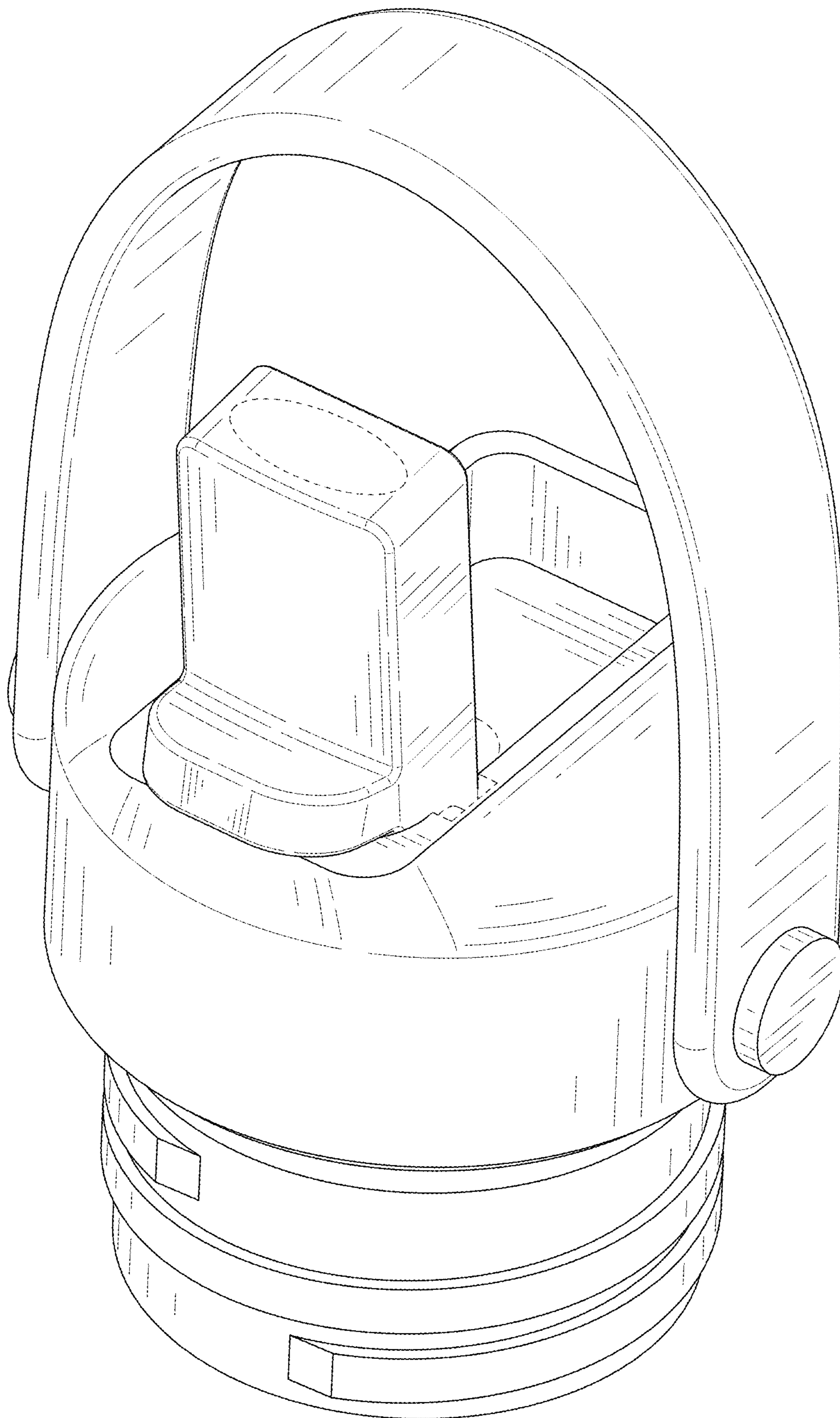


FIG. 9