



US00D894670S

(12) **United States Design Patent** (10) **Patent No.:** **US D894,670 S**  
**Adams, Jr. et al.** (45) **Date of Patent:** **\*\* Sep. 1, 2020**

(54) **BEVERAGE CONTAINER CUP**

(71) Applicant: **Klean Kanteen, Inc.**, Chico, CA (US)

(72) Inventors: **Richard John Adams, Jr.**, Bozeman, MT (US); **Joshua James Birkle**, Chico, CA (US); **James Osgood**, Chico, CA (US)

(73) Assignee: **KLEAN KANTEEN, INC.**, Chico, CA (US)

(\*\*) Term: **15 Years**

(21) Appl. No.: **29/673,160**

(22) Filed: **Dec. 12, 2018**

(51) **LOC (12) Cl.** ..... **07-01**

(52) **U.S. Cl.**  
USPC ..... **D7/392.1**

(58) **Field of Classification Search**  
USPC ..... D7/391, 392, 392.1, 397, 510, 511, 542, D7/543, 602, 605, 629; D9/435, 443, D9/447, 449, 454  
CPC ..... B65D 43/0225  
See application file for complete search history.

(56) **References Cited**

**U.S. PATENT DOCUMENTS**

|           |      |        |          |       |                          |
|-----------|------|--------|----------|-------|--------------------------|
| 3,307,752 | A *  | 3/1967 | Anderson | ..... | B65D 23/108<br>222/465.1 |
| D537,676  | S *  | 3/2007 | Kingsley | ..... | D7/510                   |
| D638,658  | S *  | 5/2011 | Staton   | ..... | D7/392                   |
| 8,403,173 | B2 * | 3/2013 | Wahl     | ..... | B65D 47/248<br>215/387   |
| D763,688  | S *  | 8/2016 | Breit    | ..... | D9/443                   |
| D817,085  | S *  | 5/2018 | Davis    | ..... | D7/392.1                 |
| D843,778  | S *  | 3/2019 | Yao      | ..... | D7/392.1                 |
| D848,786  | S *  | 5/2019 | Bujalska | ..... | D7/392.1                 |
| D856,067  | S *  | 8/2019 | Barber   | ..... | D7/392.1                 |

(Continued)

**OTHER PUBLICATIONS**

“Klean Kanteen TKWide Water Bottle w-Cap, Multiple Types”.  
Found online Feb. 10, 2020 at amazon.com. Reference dated Feb.

25, 2019. Retrieved from [https://www.amazon.com/...0MDkyNIVJ OVZDQIIOMFVTJndpZGdIdE5hbWU9c3BfaHFwX3NoYXJIZC ZhY3Rpb249Y2xpY2tSZWRpcmVjdCZkb05vdExvZONsaWNrPX RydWU&th=1.\\*](https://www.amazon.com/...0MDkyNIVJ OVZDQIIOMFVTJndpZGdIdE5hbWU9c3BfaHFwX3NoYXJIZC ZhY3Rpb249Y2xpY2tSZWRpcmVjdCZkb05vdExvZONsaWNrPX RydWU&th=1.*)

(Continued)

*Primary Examiner* — Kendra Leslie Hamilton

(74) *Attorney, Agent, or Firm* — Alleman Hall Creasman & Tuttle LLP

(57) **CLAIM**

The ornamental design for a beverage container cap, as shown and described.

**DESCRIPTION**

FIG. 1 is a top, front, left perspective view of a beverage container cap showing our new design.

FIG. 2 is a top, front, left perspective view of the beverage container cap of FIG. 1, shown in an alternate configuration for clarity of disclosure.

FIG. 3 is a front elevation view of the beverage container cap of FIG. 1.

FIG. 4 is a rear elevation view thereof.

FIG. 5 is a right-side elevation view thereof.

FIG. 6 is a left-side elevation view of the beverage container cap of FIG. 1, shown in condition for use.

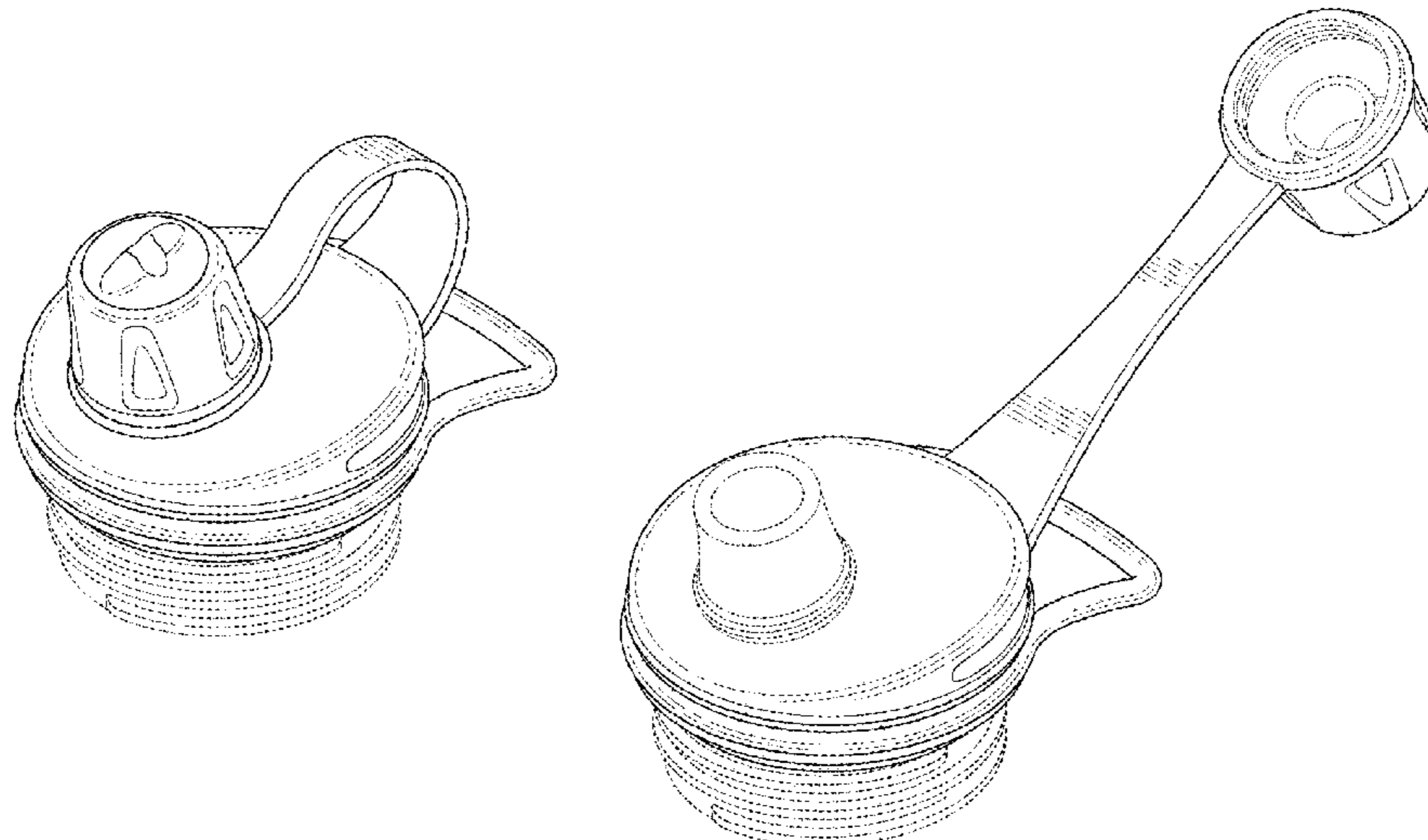
FIG. 7 is a top plan view of the of the beverage container cap of FIG. 1; and,

FIG. 8 is a bottom plan view thereof.

The broken lines in the drawing depict portions of the beverage container cap that form no part of the claimed design. Additionally, in FIG. 6, the broken line showing a beverage container depicts environmental matter and forms no part of the claimed design.

The beverage container cap includes a cap which may be in a stowed position as depicted in FIGS. 1, 3, 4, 5, 6, and 7 or in an unstowed position as depicted in FIG. 2. The cap is not visible in FIG. 8.

**1 Claim, 4 Drawing Sheets**



(56)

**References Cited**

U.S. PATENT DOCUMENTS

D858,181 S \* 9/2019 Lown ..... D9/449  
D870,509 S \* 12/2019 Bo ..... D9/443  
2017/0107023 A1\* 4/2017 Miksovsky ..... B65D 47/122  
2019/0135506 A1\* 5/2019 Merrigan ..... B65D 51/1616

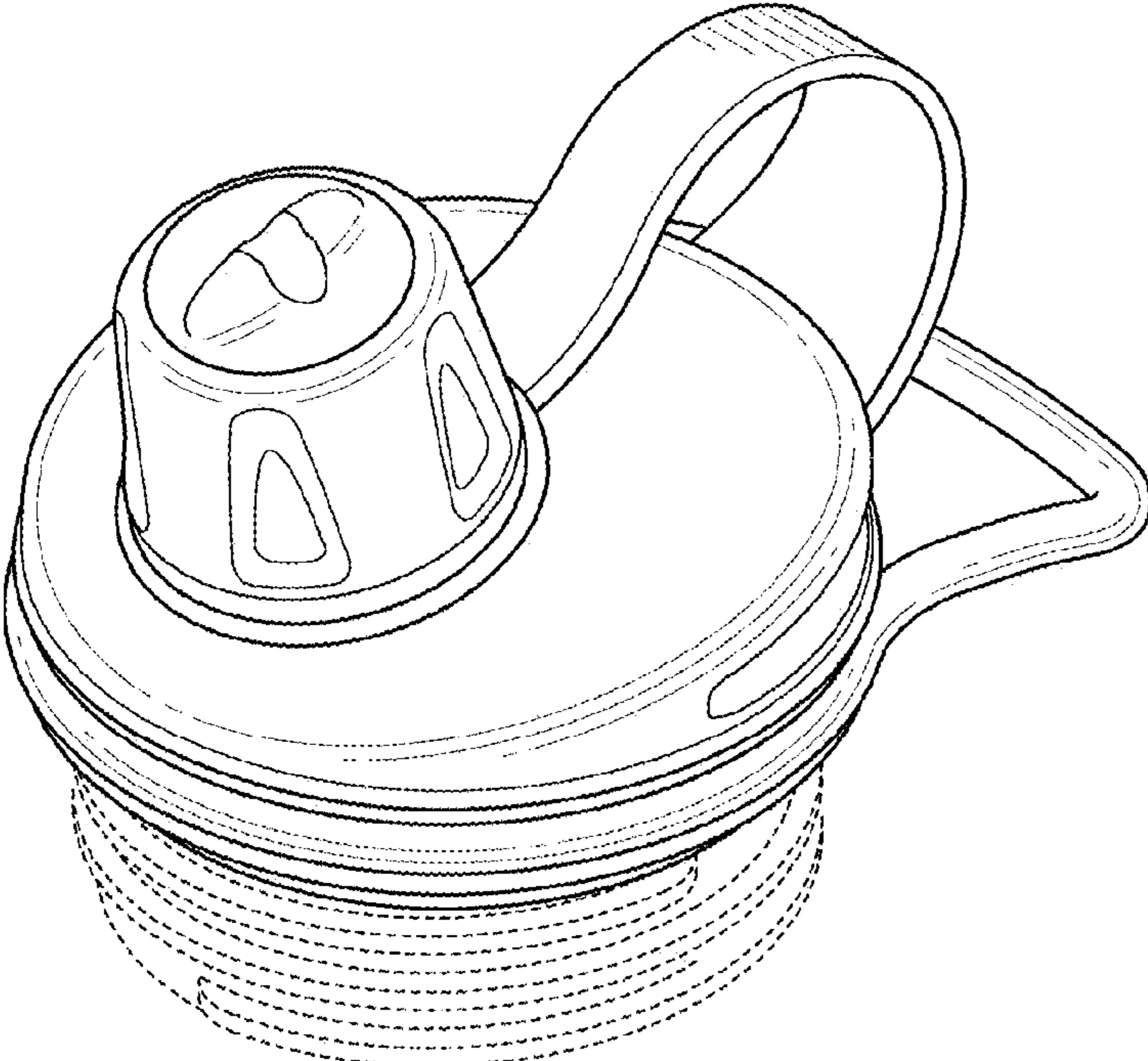
OTHER PUBLICATIONS

“Kean Silicone Collapsible Water Bottle: Screw Cap and Small Loop Handle”. Found online Feb. 7, 2020. Reference dated Jun. 27, 2018. Retrieved from [https://www.youtube.com/watch?v=8wofT\\_DWErs&feature=youtu.be&a=](https://www.youtube.com/watch?v=8wofT_DWErs&feature=youtu.be&a=).\*

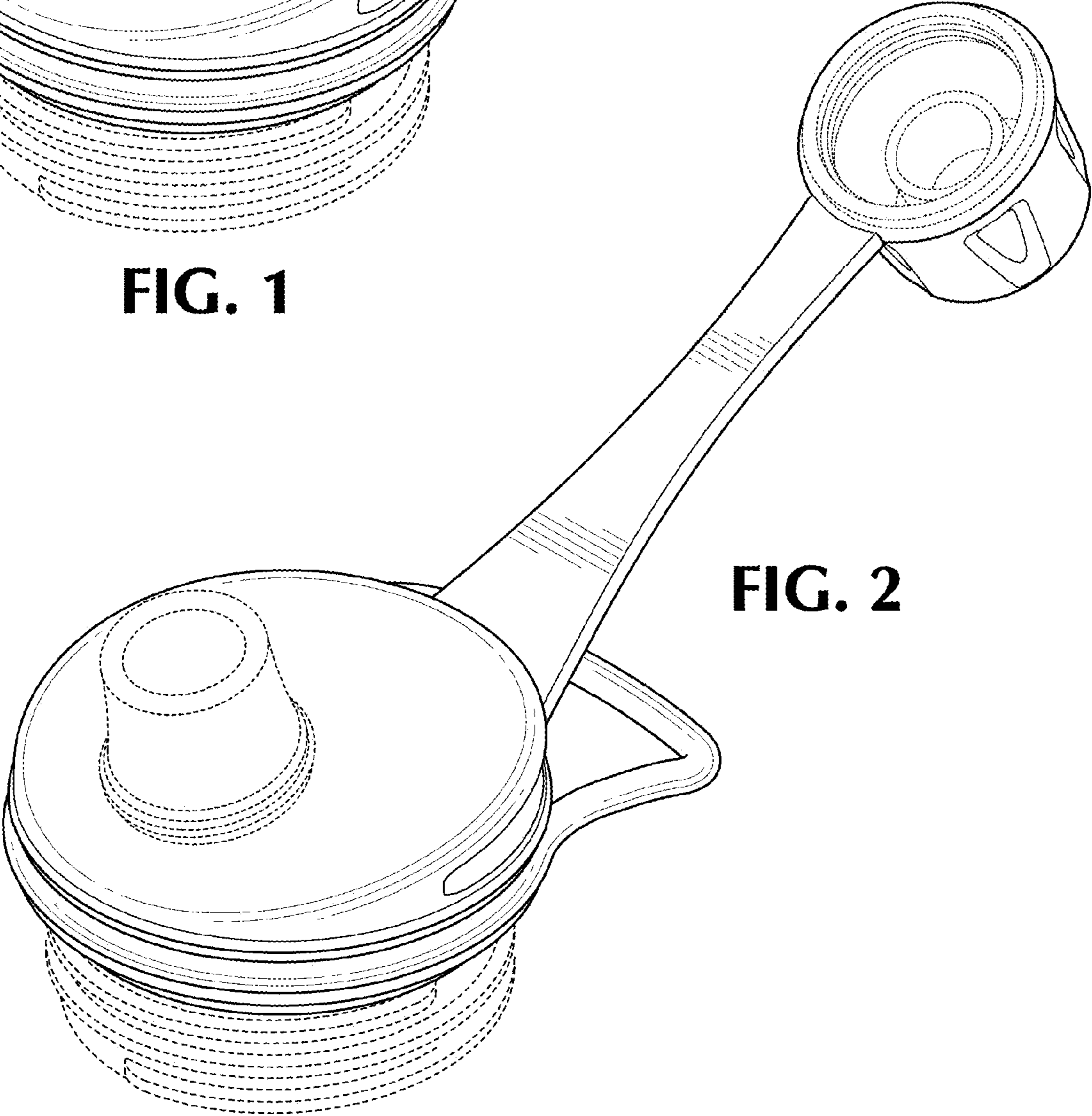
“H2go Surge Aluminum Sport Bottle”. Found online May 24, 2017 at 4imprint.com. Reference dated Oct. 2012. Retrieved from <https://www.4imprint.com/product/115226-M/h2go-Surge-Aluminum-Sport-Bottle-28-oz-Matte>.\*

“Rubbermaid Shaker Bottle”. Found online Oct. 26, 2016 at amazon.com. Reference dated May 30, 2014. Retrieved from <https://www.amazon.com/Rubbermaid-Shaker-Bottle-28-Ounce-Black/dp/B00J2QLC9G>.\*

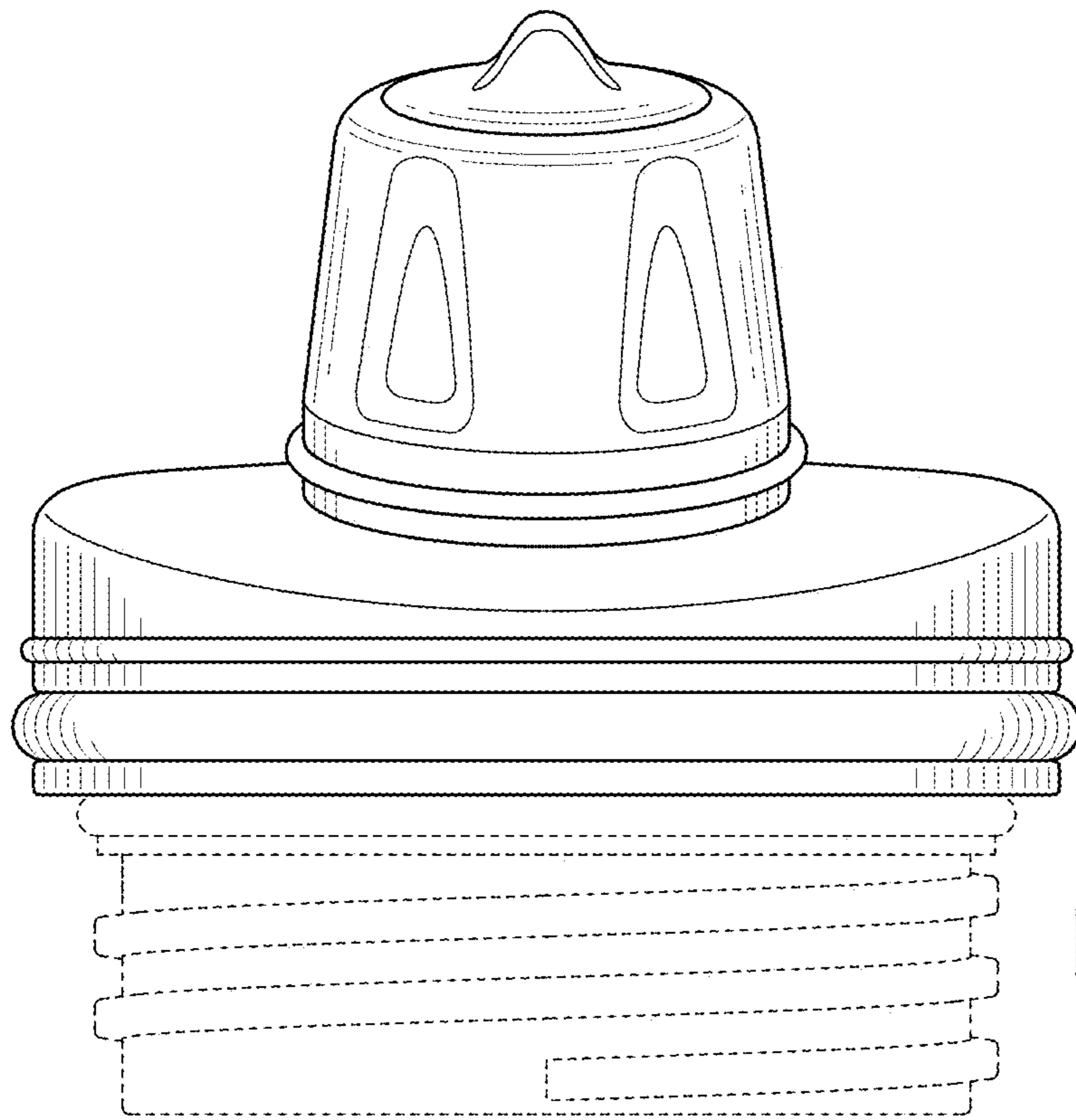
\* cited by examiner



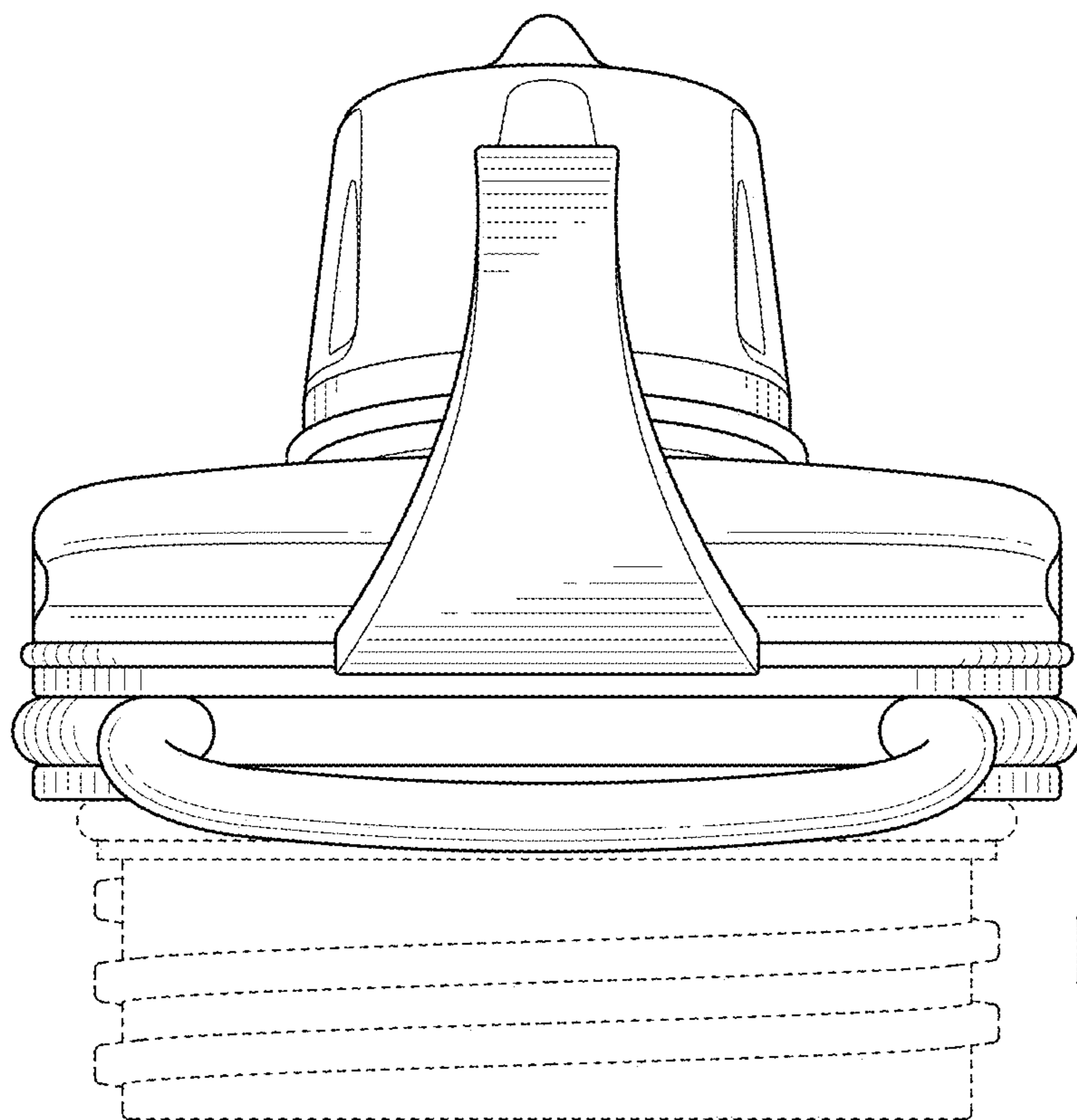
**FIG. 1**



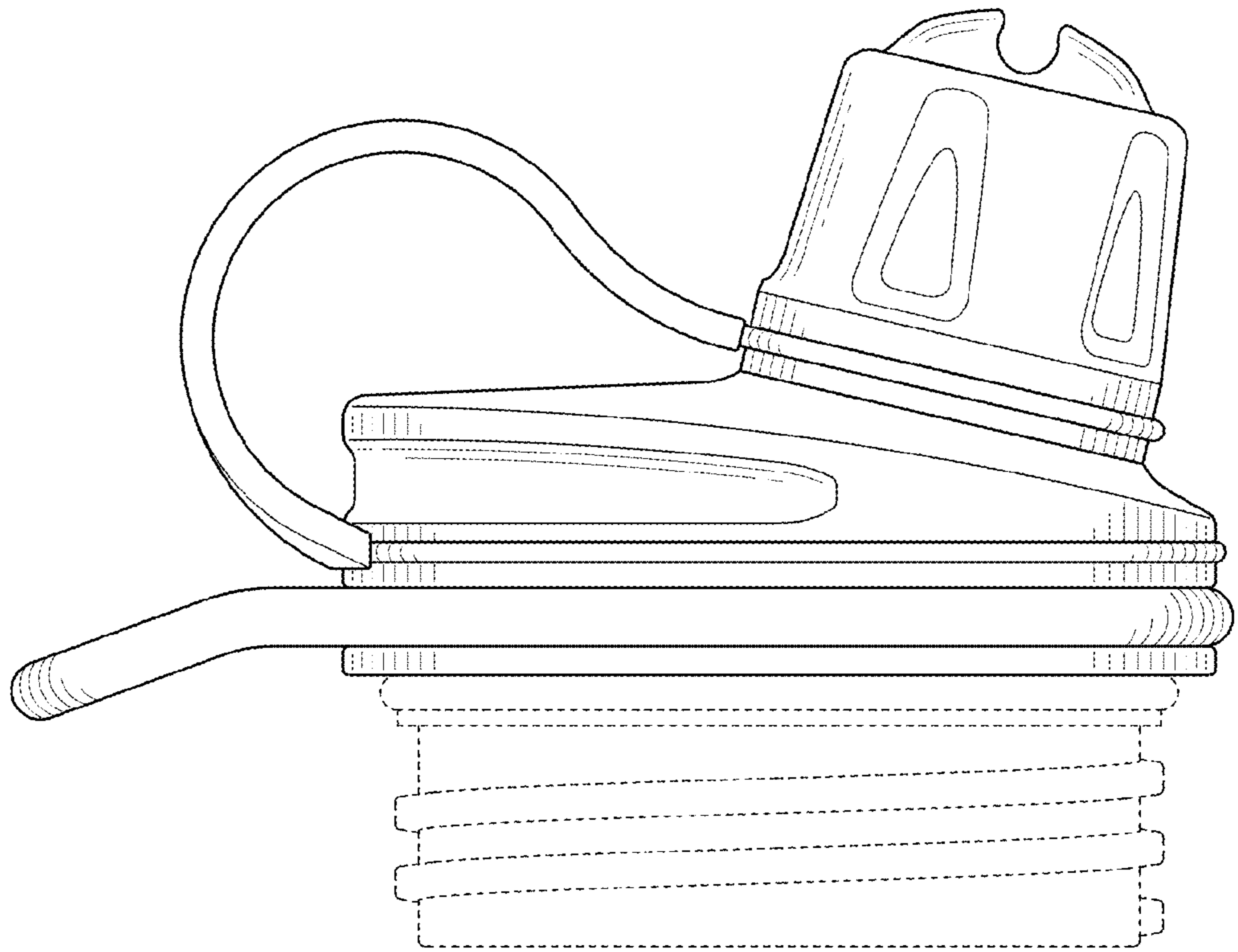
**FIG. 2**



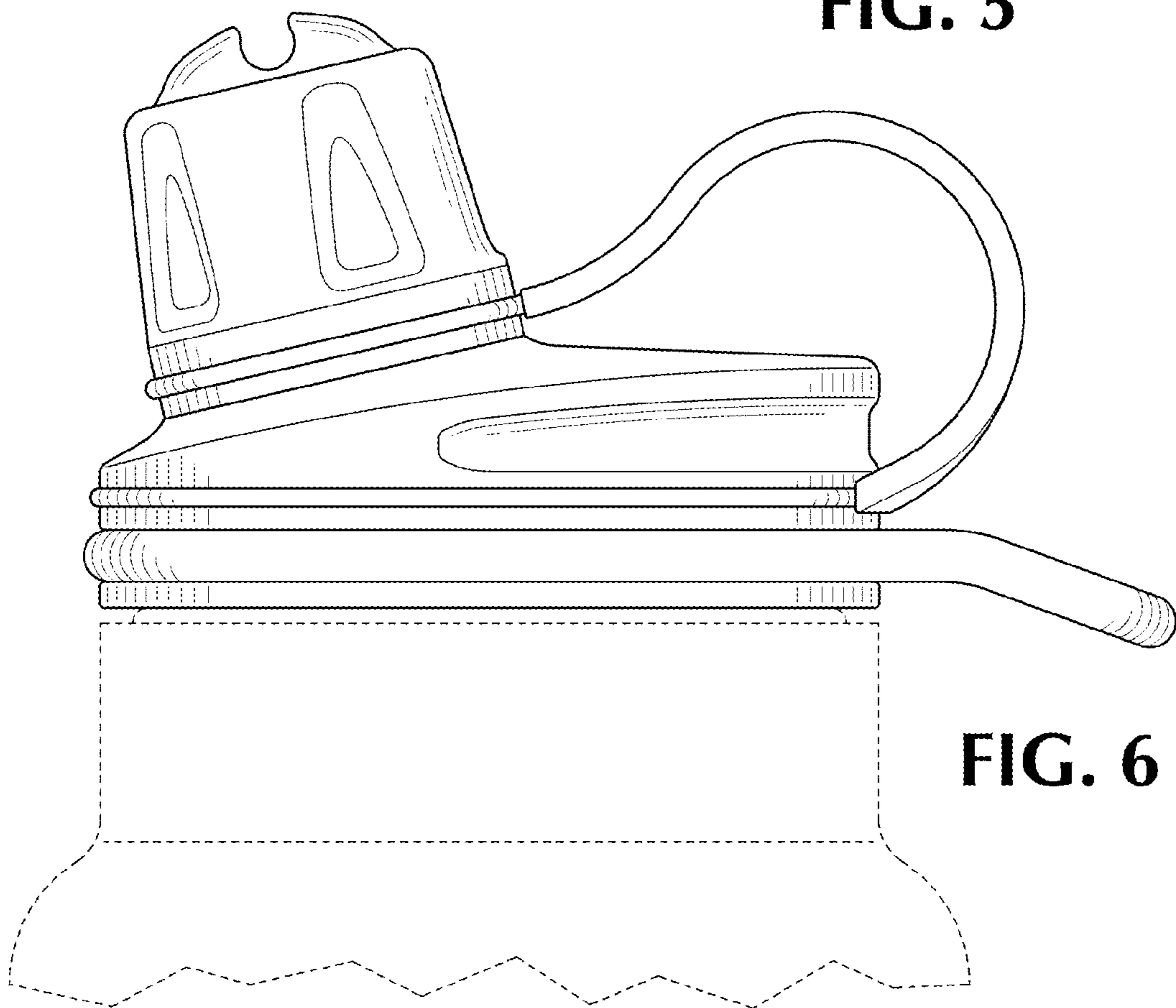
**FIG. 3**



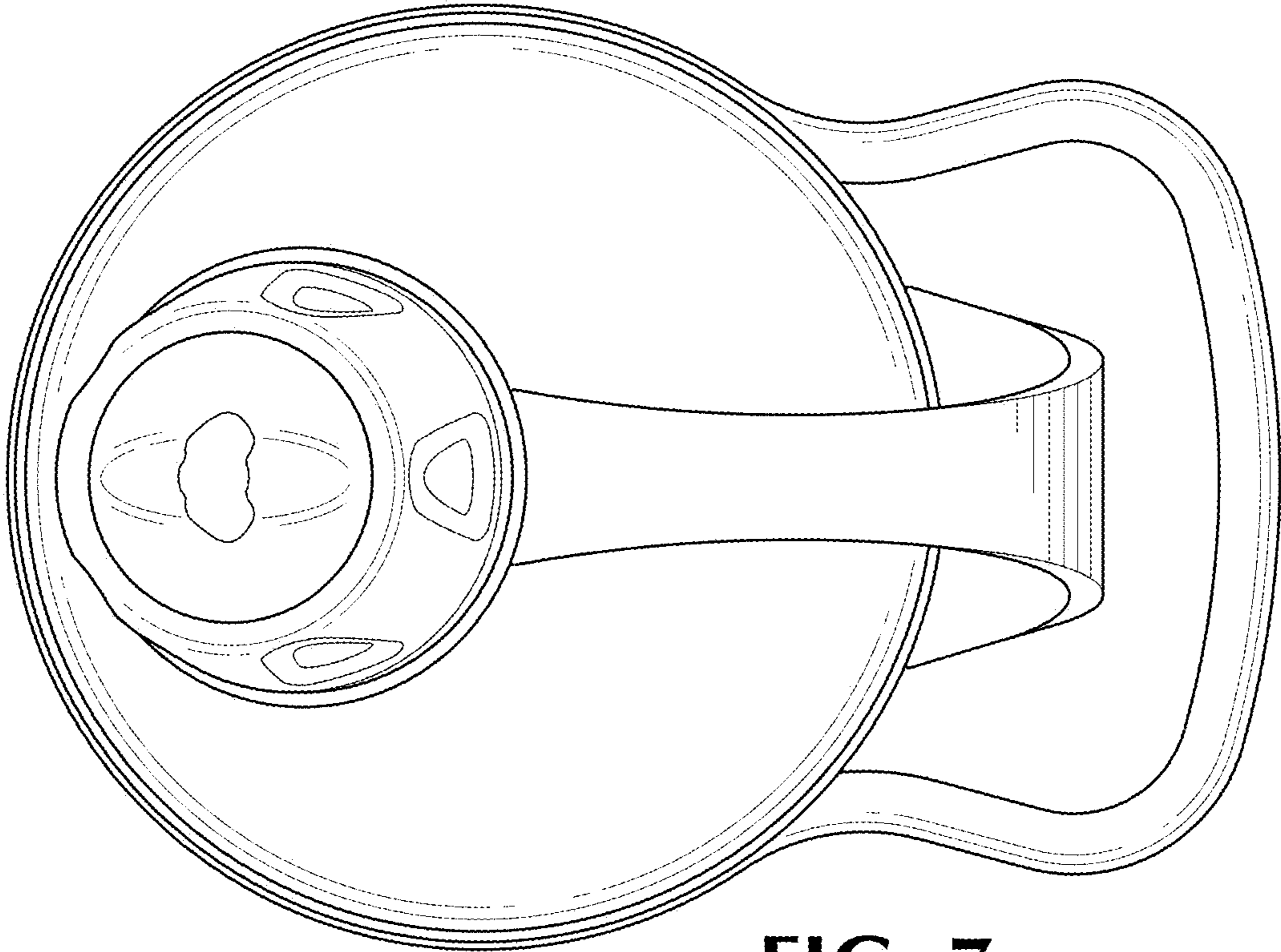
**FIG. 4**



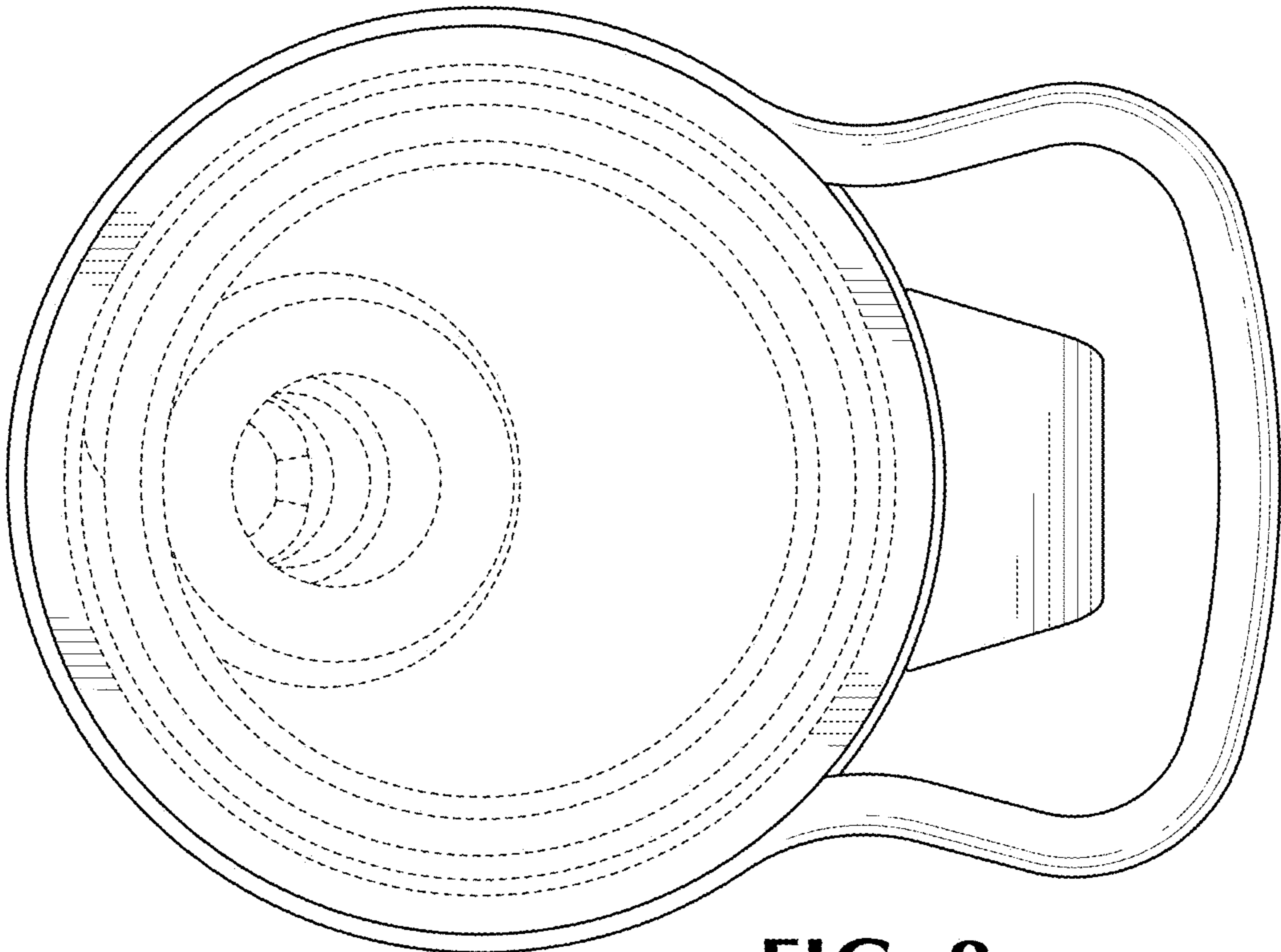
**FIG. 5**



**FIG. 6**



**FIG. 7**



**FIG. 8**