



US00D894669S

(12) **United States Design Patent**
Lane et al.

(10) **Patent No.:** **US D894,669 S**

(45) **Date of Patent:** **** Sep. 1, 2020**

(54) **LID FOR BOTTLE**

(71) Applicant: **THERMOS L.L.C.**, Schaumburg, IL (US)

(72) Inventors: **Marvin Lane**, Wheeling, IL (US);
Dwayne Boroski, Lake in the Hills, IL (US); **Jennifer Bae Park**, Chicago, IL (US)

(73) Assignee: **Thermos L.L.C.**, Schaumburg, IL (US)

(**) Term: **15 Years**

(21) Appl. No.: **29/696,135**

(22) Filed: **Jun. 25, 2019**

Related U.S. Application Data

(62) Division of application No. 29/643,611, filed on Apr. 10, 2018.

(51) **LOC (12) Cl.** **07-99**

(52) **U.S. Cl.**
USPC **D7/392; D7/392.1**

(58) **Field of Classification Search**
USPC D9/452, 453, 454, 435, 447, 449;
D7/392, 392.1
CPC A47G 21/18; A61J 7/0038; B65D
2517/0049

See application file for complete search history.

(56) **References Cited**

U.S. PATENT DOCUMENTS

2,608,841 A † 9/1952 Rice A47G 19/2272
215/11.5
2,754,866 A † 7/1956 Coltman, Jr. B65D 47/0895
220/254.3
3,312,366 A † 4/1967 Poris B65D 51/246
141/381
D346,718 S † 5/1994 Timmermans D7/391

D390,462 S † 2/1998 Mao D9/435
D505,294 S † 5/2005 Gauss D7/392.1
D634,160 S † 3/2011 Cetera D7/510
D644,489 S † 9/2011 Trombly D7/510
D690,556 S † 10/2013 Boroski D7/510
D714,584 S † 10/2014 Boroski D7/392
D719,827 S † 12/2014 Duran D9/447
D723,918 S † 3/2015 Karl, IV D9/447

(Continued)

OTHER PUBLICATIONS

Amazon website, Guardian Collection by Thermos 24 Ounce Stainless Steel Hydration Bottle, Date first listed on Amazon Sep. 16, 2019, [site visited Jan. 17, 2020], Available on the Internet URL <https://www.amazon.com/Guardian-Collection-Thermos-Stainless-Hydration/dp/B07XYRMJCR> (Year: 2019).*

Primary Examiner — Karen S Acker

Assistant Examiner — Steven B Reinholdt, Jr.

(74) *Attorney, Agent, or Firm* — Polsinelli PC

(57) **CLAIM**

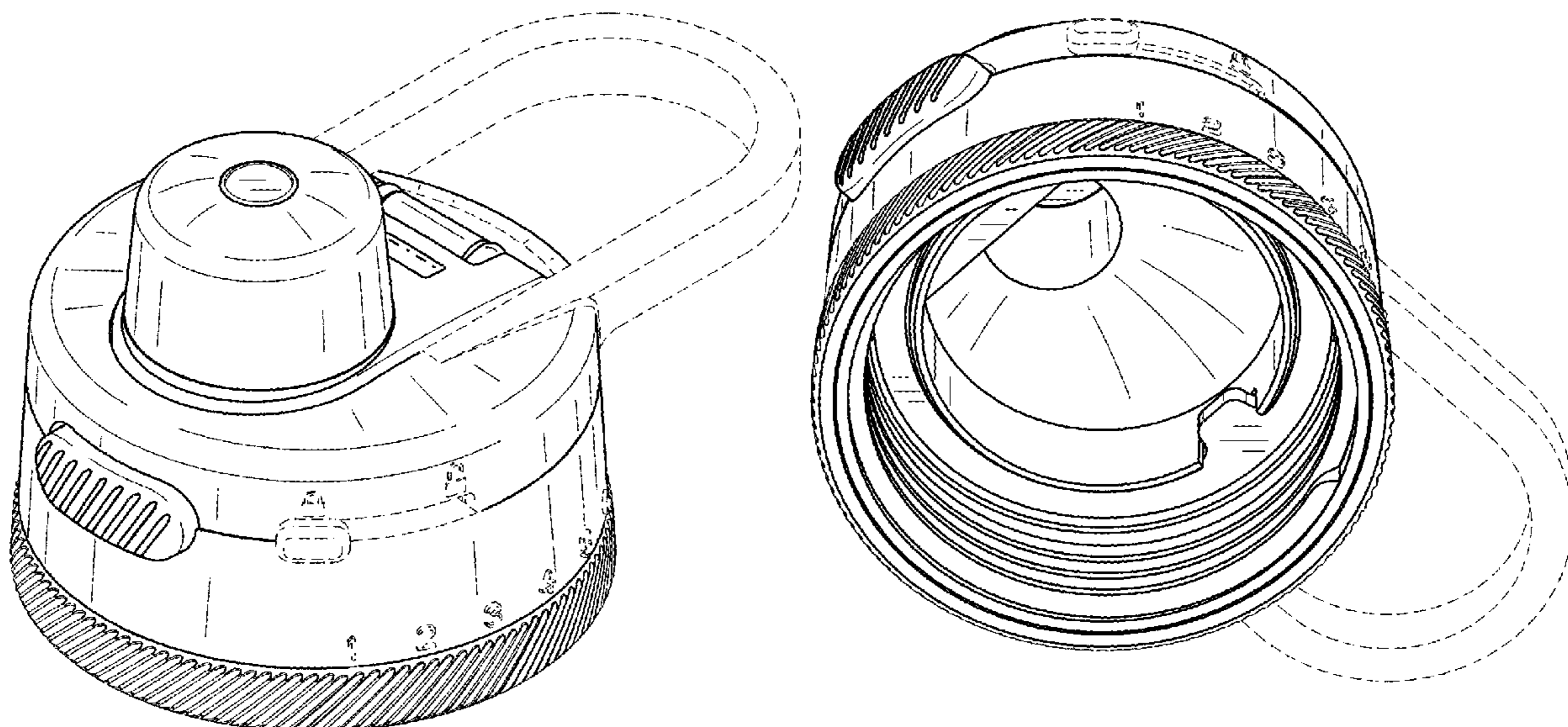
The ornamental design for a lid for bottle, as shown and described.

DESCRIPTION

FIG. 1 is a perspective view of the lid for bottle;
FIG. 2 is a lower perspective view of the lid for bottle;
FIG. 3 is a front view of the lid for bottle;
FIG. 4 is a rear view of the lid for bottle;
FIG. 5 is a right side view of the lid for bottle;
FIG. 6 is a left side view of the lid for bottle;
FIG. 7 is a top view of the lid for bottle; and,
FIG. 8 is a bottom view of the lid for bottle.

The broken lines and the areas within them shown in the figures depict portions of the lid for bottle that form no part of the claimed design. The dot-dash-dot broken lines depict the boundaries of the claim and form no part thereof.

1 Claim, 5 Drawing Sheets



(56)

References Cited

U.S. PATENT DOCUMENTS

D752,434	S	‡	3/2016	Willows	D9/447
D752,976	S	‡	4/2016	Koffel	D9/447
D761,648	S	‡	7/2016	Karl, IV	D9/447
D763,076	S	‡	8/2016	Lane	D9/446
D772,064	S	‡	11/2016	Boroski	D9/436
D786,072	S	‡	5/2017	Breit	D9/443
D791,542	S	‡	7/2017	Miksovsky	D7/510
D792,216	S	‡	7/2017	Breit	D9/443
D801,111	S	‡	10/2017	Eyal	D7/392.1
D813,593	S	‡	3/2018	Cornu	D7/392
D816,397	S	‡	5/2018	Karl, IV	D7/392.1
D817,085	S	‡	5/2018	Davis	D7/392.1
D824,721	S	‡	8/2018	Hu	D7/392.1
D825,332	S	‡	8/2018	Miksovsky	D9/446
D831,414	S	‡	10/2018	Diener	D7/392
D834,368	S	‡	11/2018	Oas	D7/392.1
D836,386	S	‡	12/2018	Ayriss	B65D 47/0857
						D7/392
D856,067	S	*	8/2019	Barber	D7/392.1
D858,181	S	*	9/2019	Lown	D7/392.1
D862,977	S	*	10/2019	Bohman	D7/392
D867,811	S	*	11/2019	Lane	D7/392
D867,812	S	*	11/2019	Lane	D7/392
D870,509	S	*	12/2019	Bo	D7/392.1
D872,520	S	*	1/2020	Waggoner	D7/392.1
D872,536	S	*	1/2020	Lane	D7/511
2009/0236341	A1	‡	9/2009	McKinney	A47G 19/2266
						220/375
2012/0168441	A1	‡	7/2012	Lane	B65D 47/242
						220/212
2015/0041500	A1	‡	2/2015	Ismail	A47G 19/34
						222/434
2017/0129665	A1	‡	5/2017	Rolfes	B65D 51/2821

* cited by examiner

‡ imported from a related application

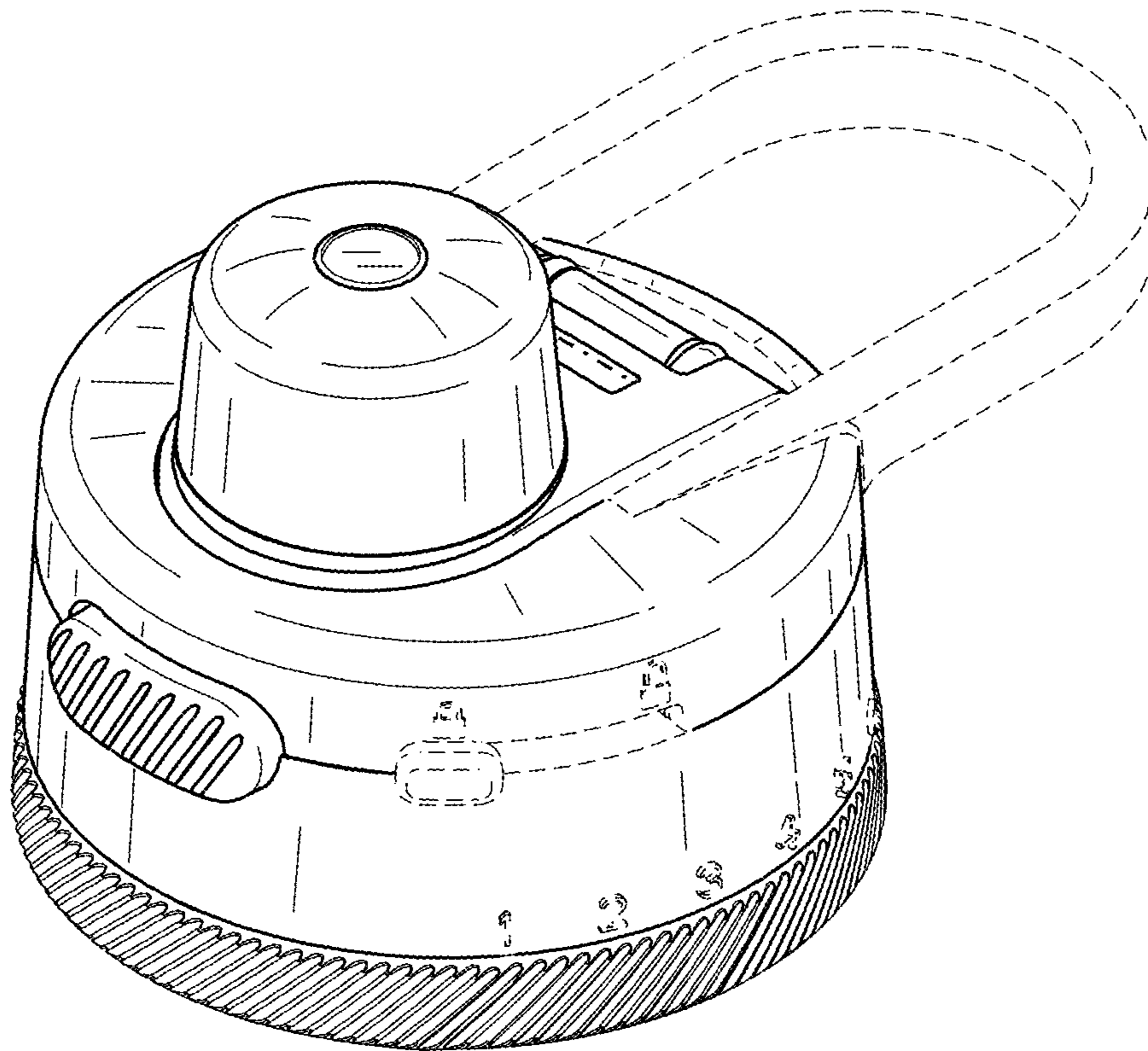


FIG. 1

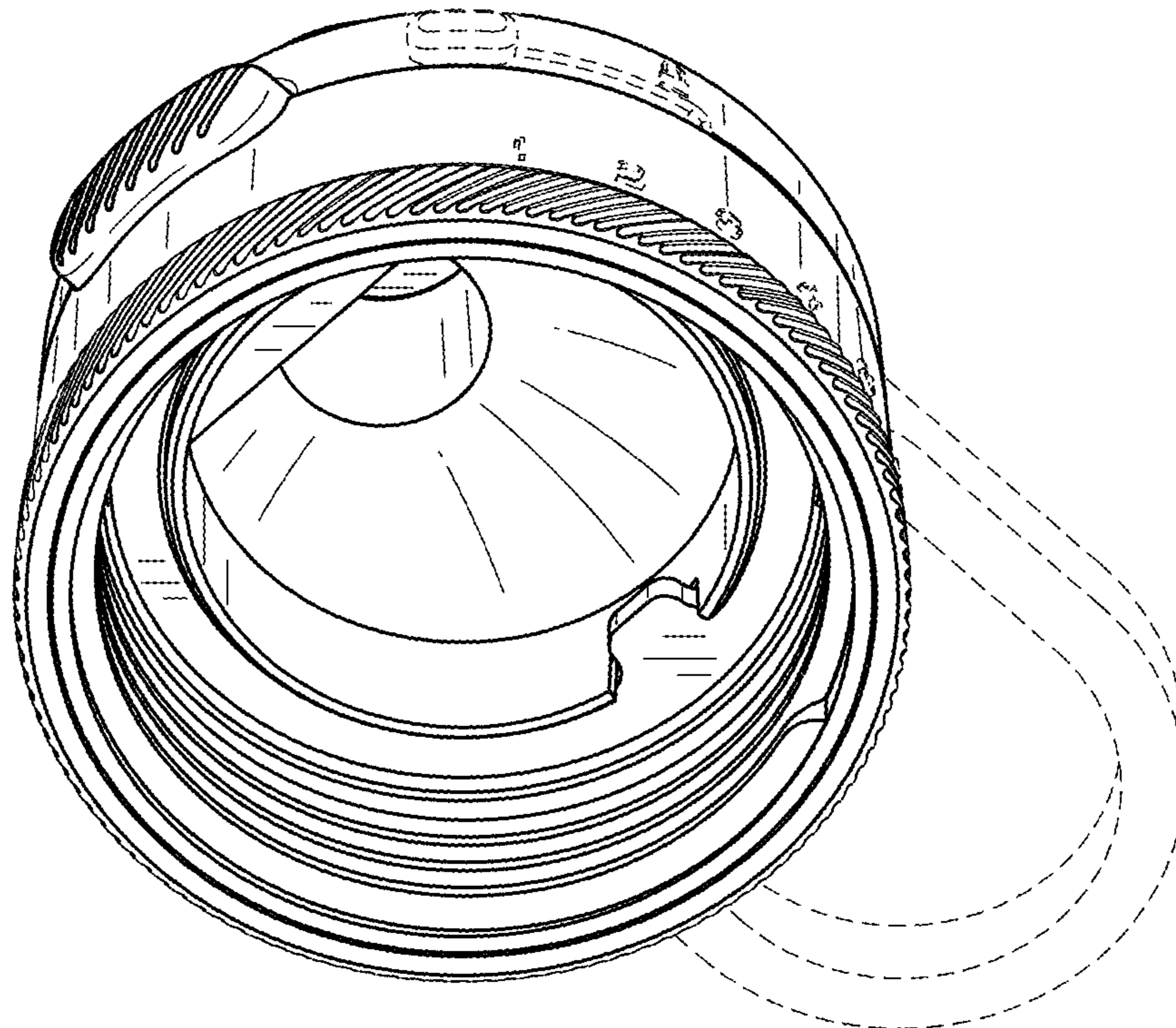


FIG. 2

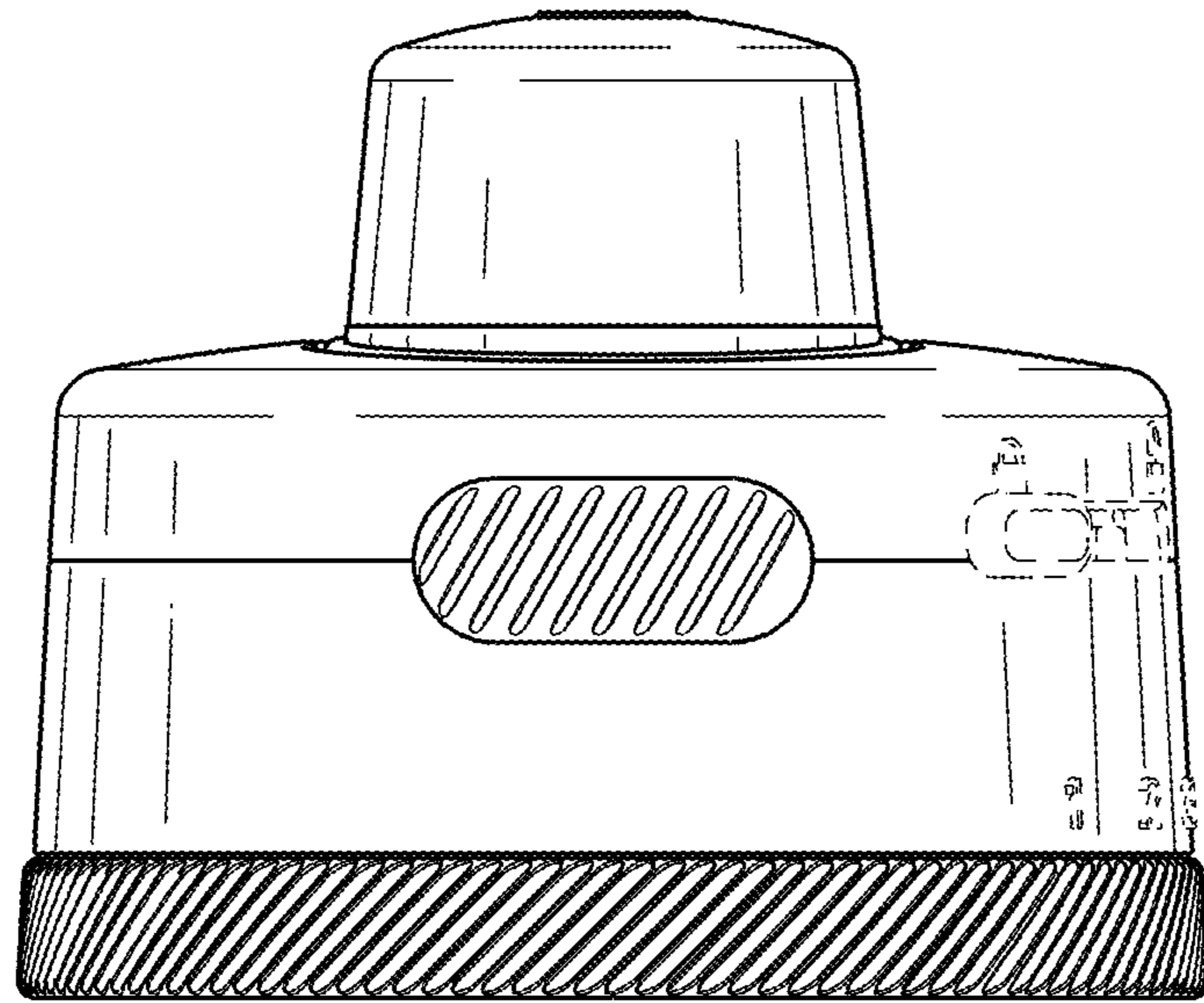


FIG. 3

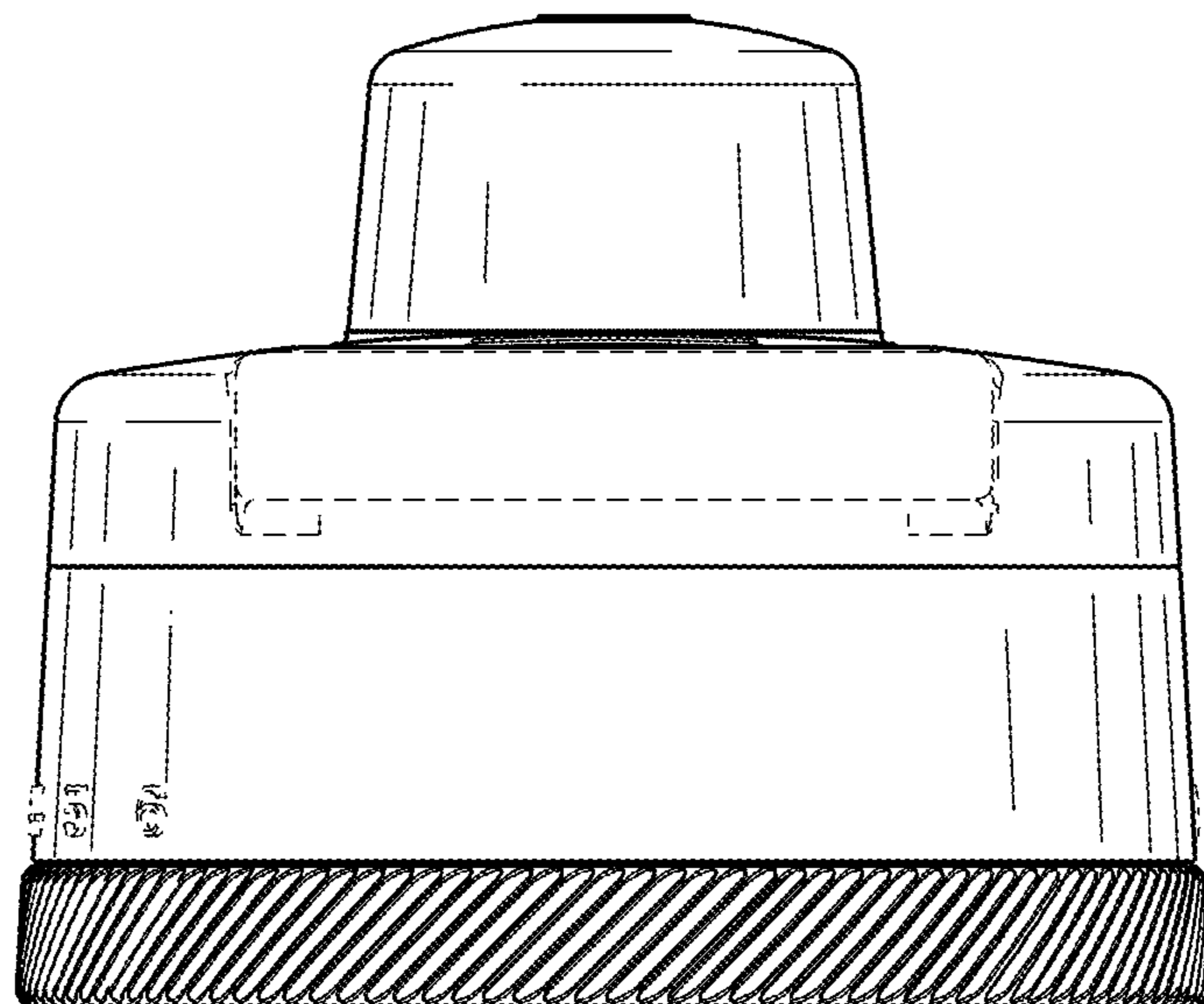


FIG. 4

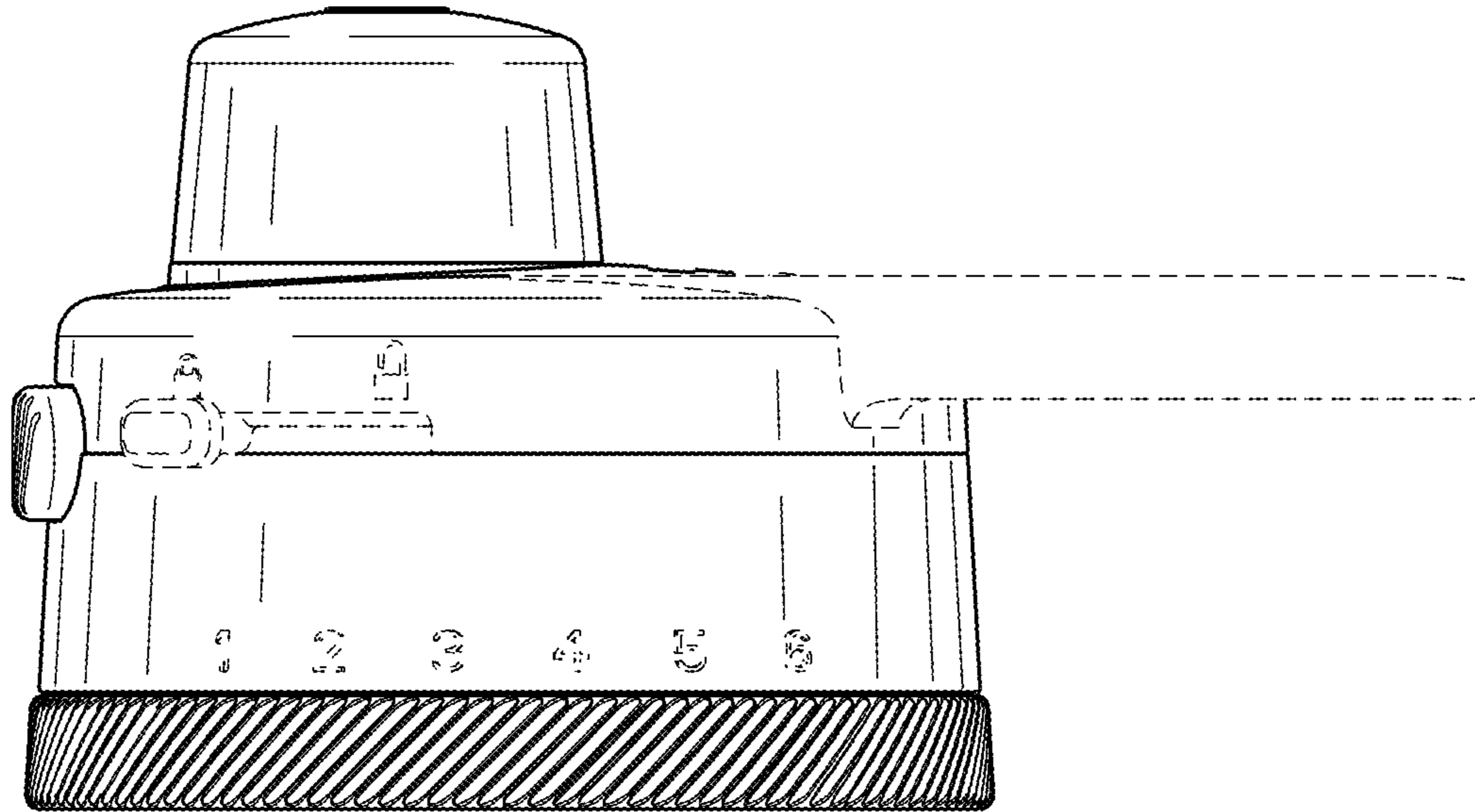


FIG. 5

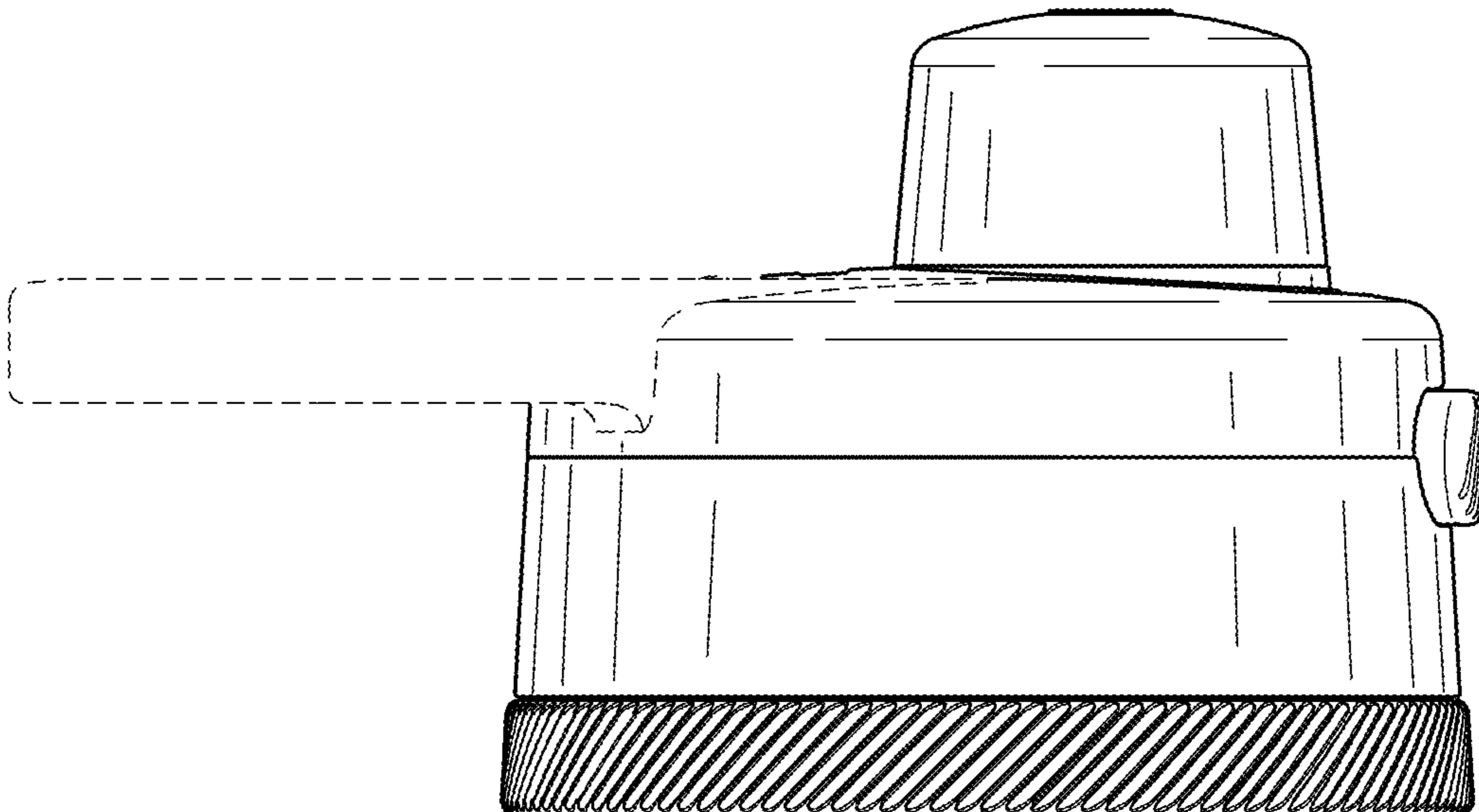


FIG. 6

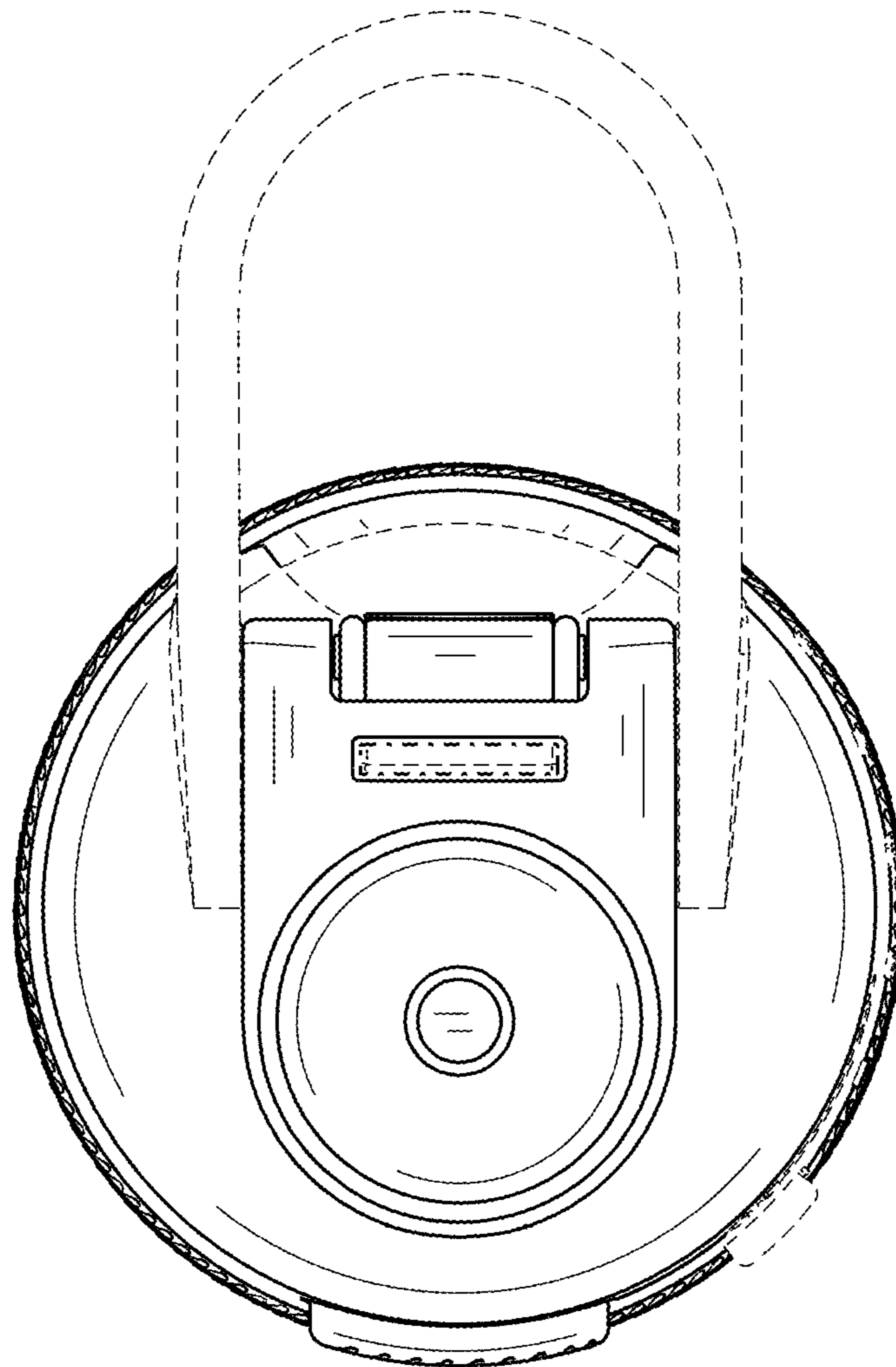


FIG. 7

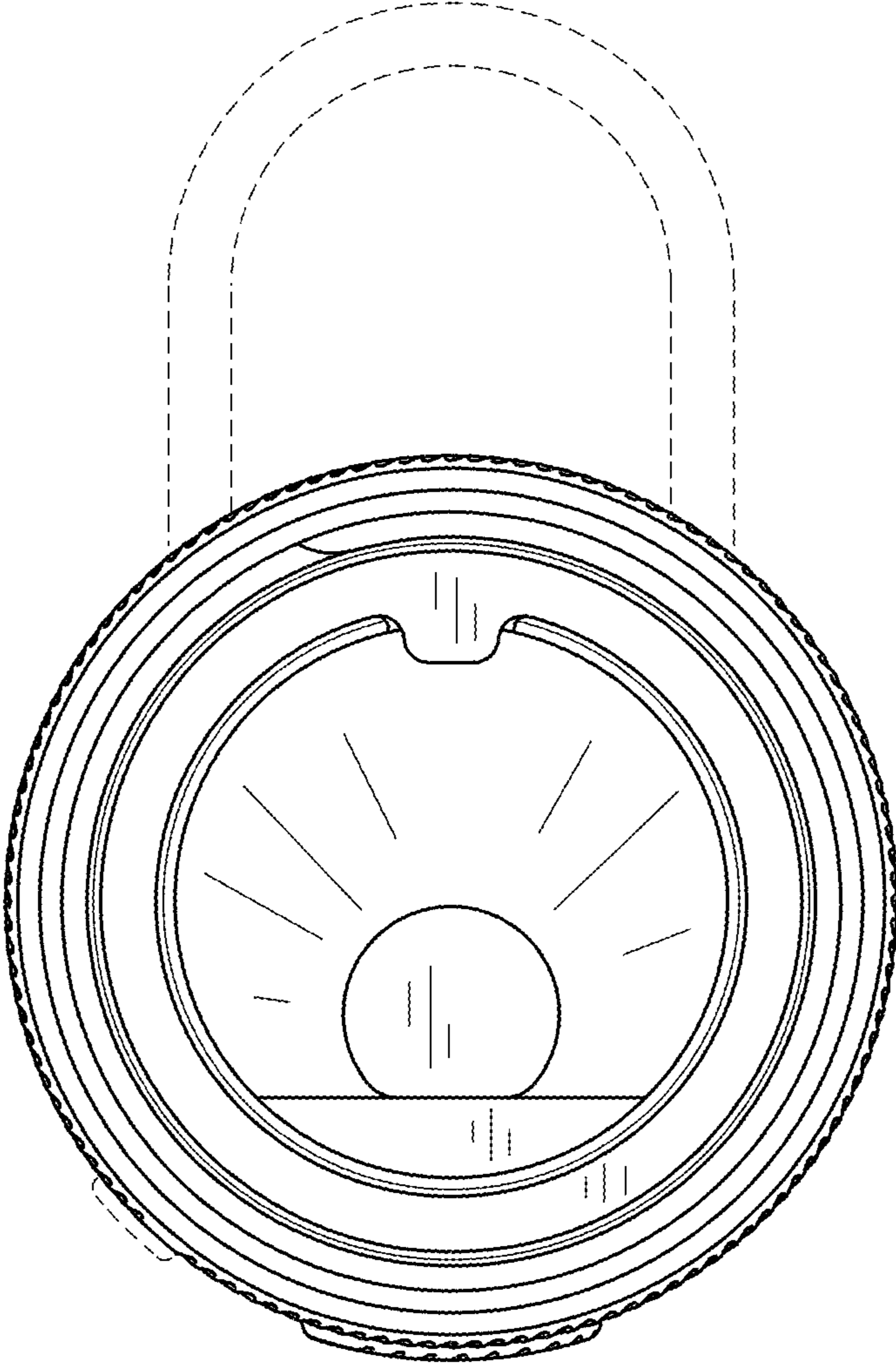


FIG. 8