



US00D894668S

(12) **United States Design Patent**
Feng

(10) **Patent No.:** **US D894,668 S**

(45) **Date of Patent:** **** Sep. 1, 2020**

(54) **MANUALLY POWERED FOOD CHOPPER**

(71) Applicant: **Jianhua Feng**, Shunchang (CN)

(72) Inventor: **Jianhua Feng**, Shunchang (CN)

(**) Term: **15 Years**

(21) Appl. No.: **29/730,112**

(22) Filed: **Apr. 1, 2020**

(30) **Foreign Application Priority Data**

Oct. 16, 2019 (CN) 2019 3 0563872
Oct. 16, 2019 (CN) 2019 3 0564418

(51) **LOC (12) Cl.** **31-00**

(52) **U.S. Cl.**
USPC **D7/380; D7/381**

(58) **Field of Classification Search**
USPC D7/354, 372, 376–386, 412–413, 602,
D7/629, 665–666, 669, 679, 693–694;
D9/447

CPC A21C 1/02; A21C 1/04; A23N 1/00; A23N
1/02; A47J 43/04; A47J 43/25; A47J
43/27; A47J 43/042; A47J 43/044; A47J
43/046; A47J 43/075; A47J 43/0722;
A47J 43/0727; B01F 3/00; B01F 3/0807;
B01F 3/0853; B01F 13/0059; B01F
13/0064; B02C 1/08; B02C 2/04; B02C
4/42; B02C 4/142; B02C 4/143; B02C
4/423; B02C 13/1835; B28C 5/10; B28C
5/12; B28C 5/14; B28C 5/16

See application file for complete search history.

(56) **References Cited**

U.S. PATENT DOCUMENTS

D376,063 S * 12/1996 Bull D7/665
D411,720 S * 6/1999 Lillelund D7/665
D477,754 S * 7/2003 Holcomb D7/693

D527,588 S 9/2006 de Groote et al.
D530,989 S * 10/2006 Mellen D7/665
D530,995 S 10/2006 Jalet et al.
D538,604 S * 3/2007 de Groote D7/665
D614,457 S 4/2010 Jossem et al.
D651,871 S * 1/2012 Coursey D7/384
D655,605 S * 3/2012 Baughman D9/447
D673,006 S 12/2012 Kent
D697,361 S * 1/2014 Kim D7/354
D708,903 S 7/2014 Wong
D769,677 S * 10/2016 Shamoon D7/665
D813,618 S * 3/2018 Witko D7/679
D821,828 S 7/2018 Chen
D826,009 S * 8/2018 Feng D7/665
D881,659 S * 4/2020 O’Leary D7/665

* cited by examiner

Primary Examiner — Ricky Pham

(74) *Attorney, Agent, or Firm* — WPAT, PC

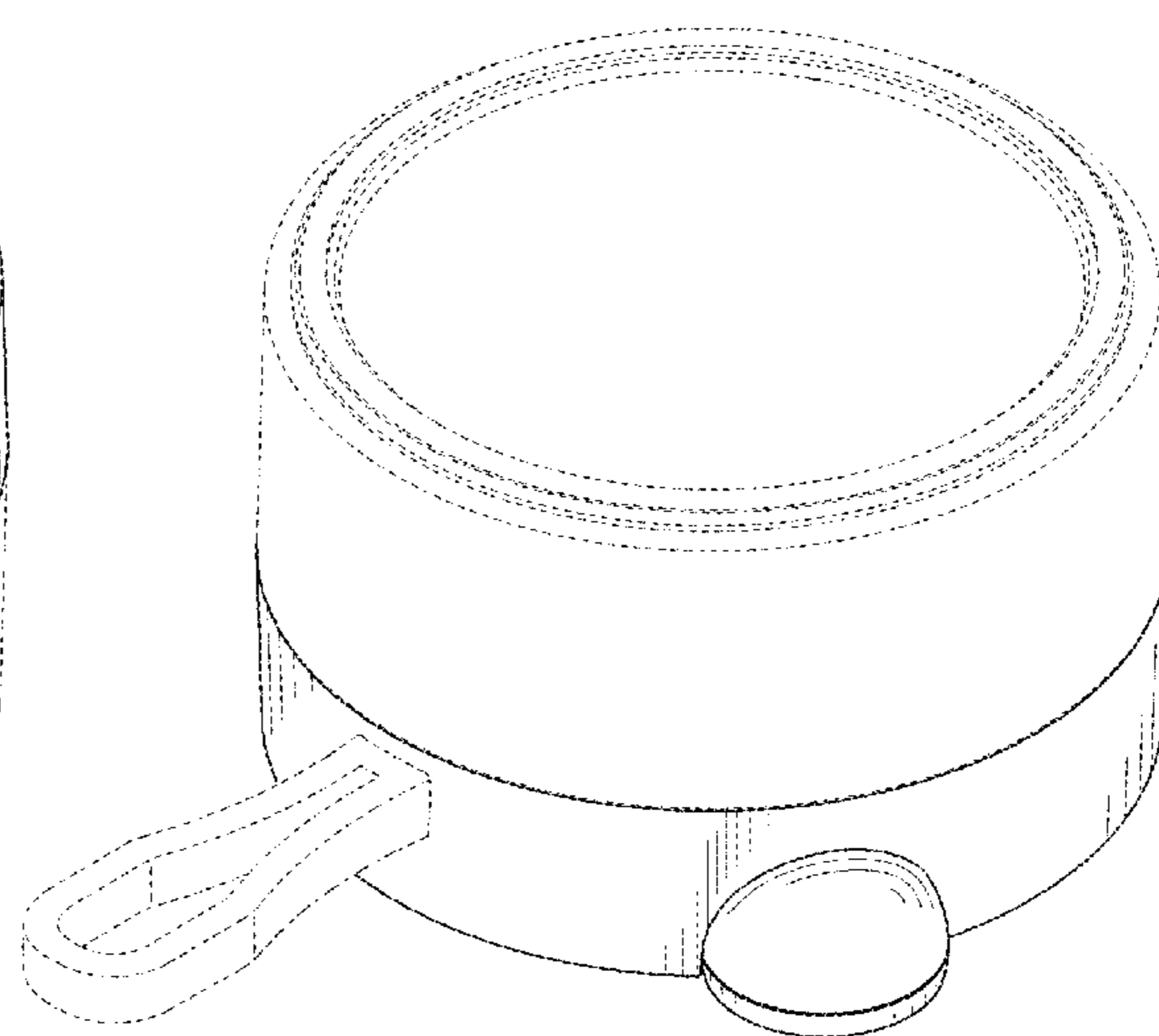
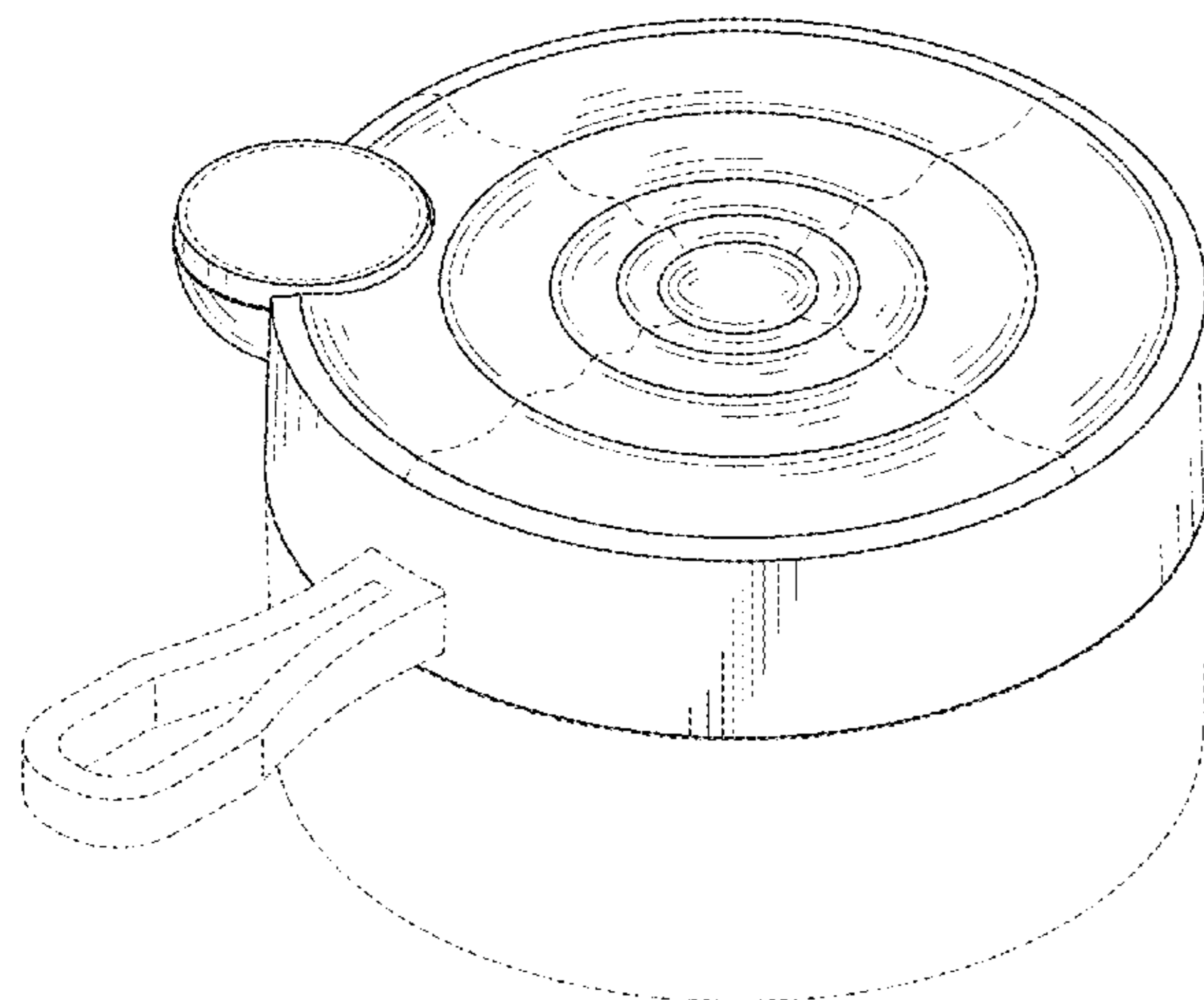
(57) **CLAIM**

The ornamental design for a manually powered food chop-
per, as shown and described.

DESCRIPTION

FIG. 1 is a perspective view of a manually powered food
chopper, showing my new design;
FIG. 2 is another perspective view thereof;
FIG. 3 is a front view thereof;
FIG. 4 is a rear view thereof;
FIG. 5 is a left side view thereof;
FIG. 6 is a right side view thereof;
FIG. 7 is a top plan view thereof;
FIG. 8 is a bottom plan view thereof;
FIG. 9 is an enlarged sectional view of the top plan view of
FIG. 7, taken along line 9-9 thereof; and,
FIG. 10 is an enlarged view of a circled portion 10 thereof.
The broken line shown are included for the purpose of
illustrating portions of the manually powered food chopper
which form no part of the claimed design.

1 Claim, 6 Drawing Sheets



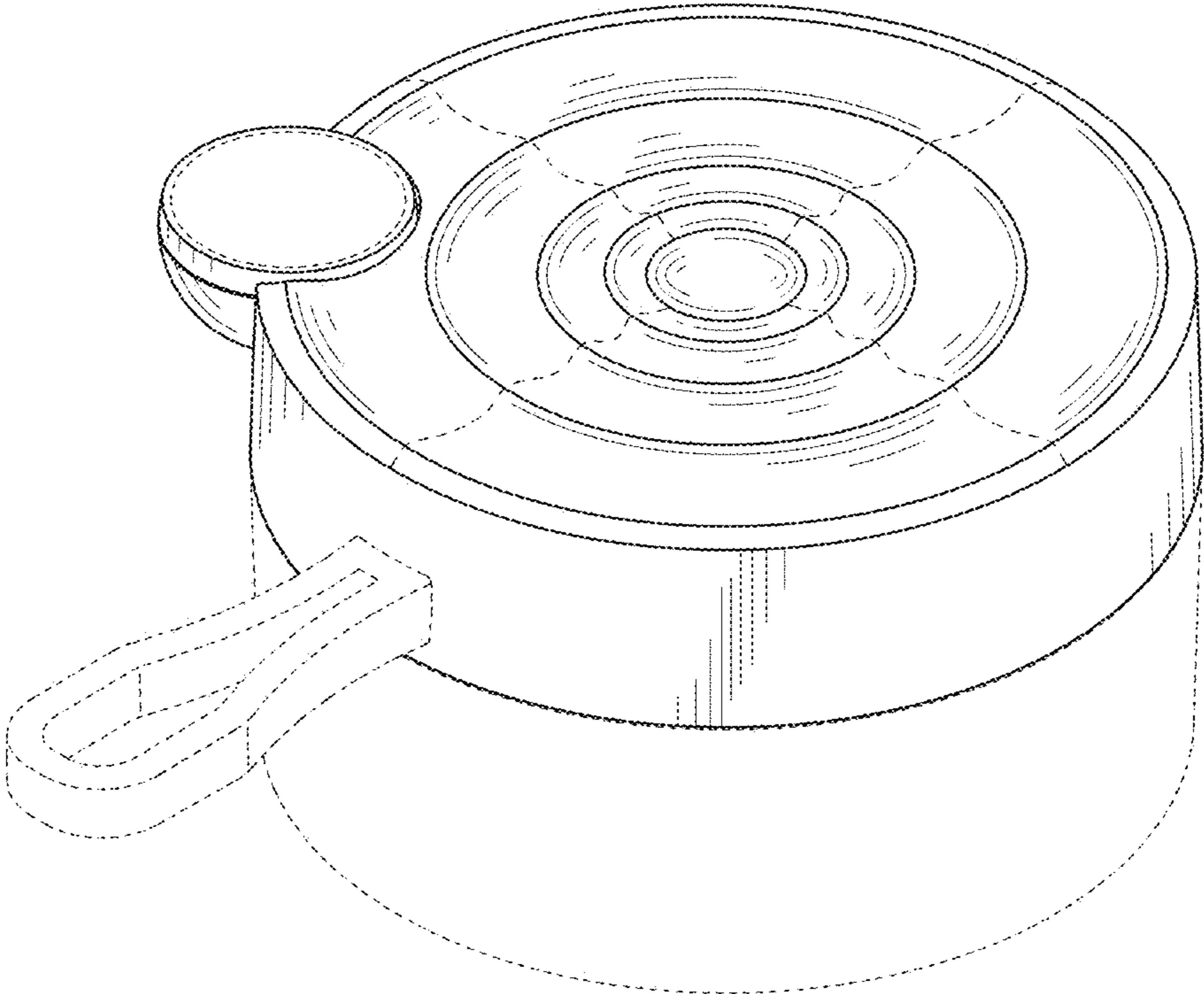


FIG. 1

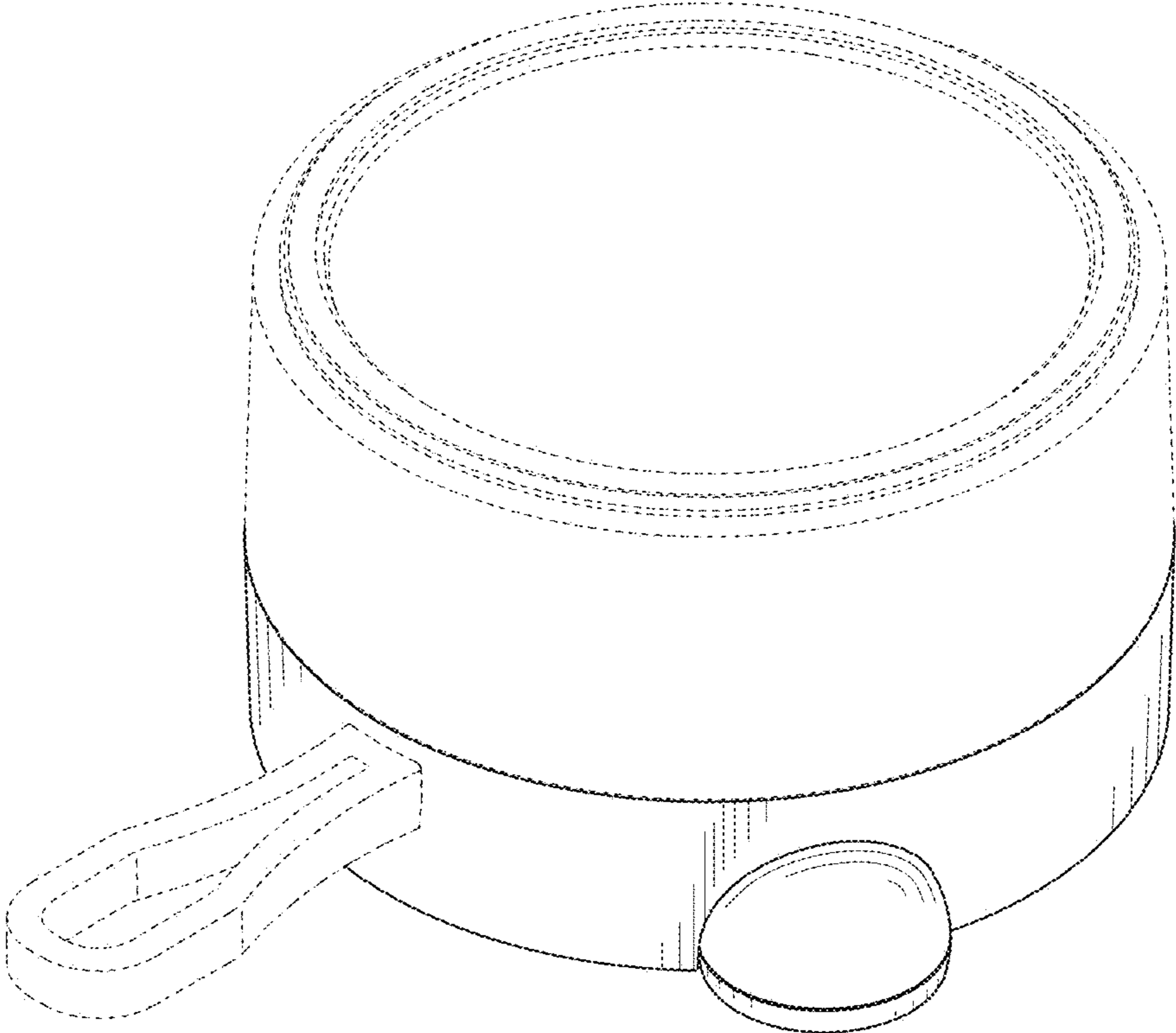


FIG. 2

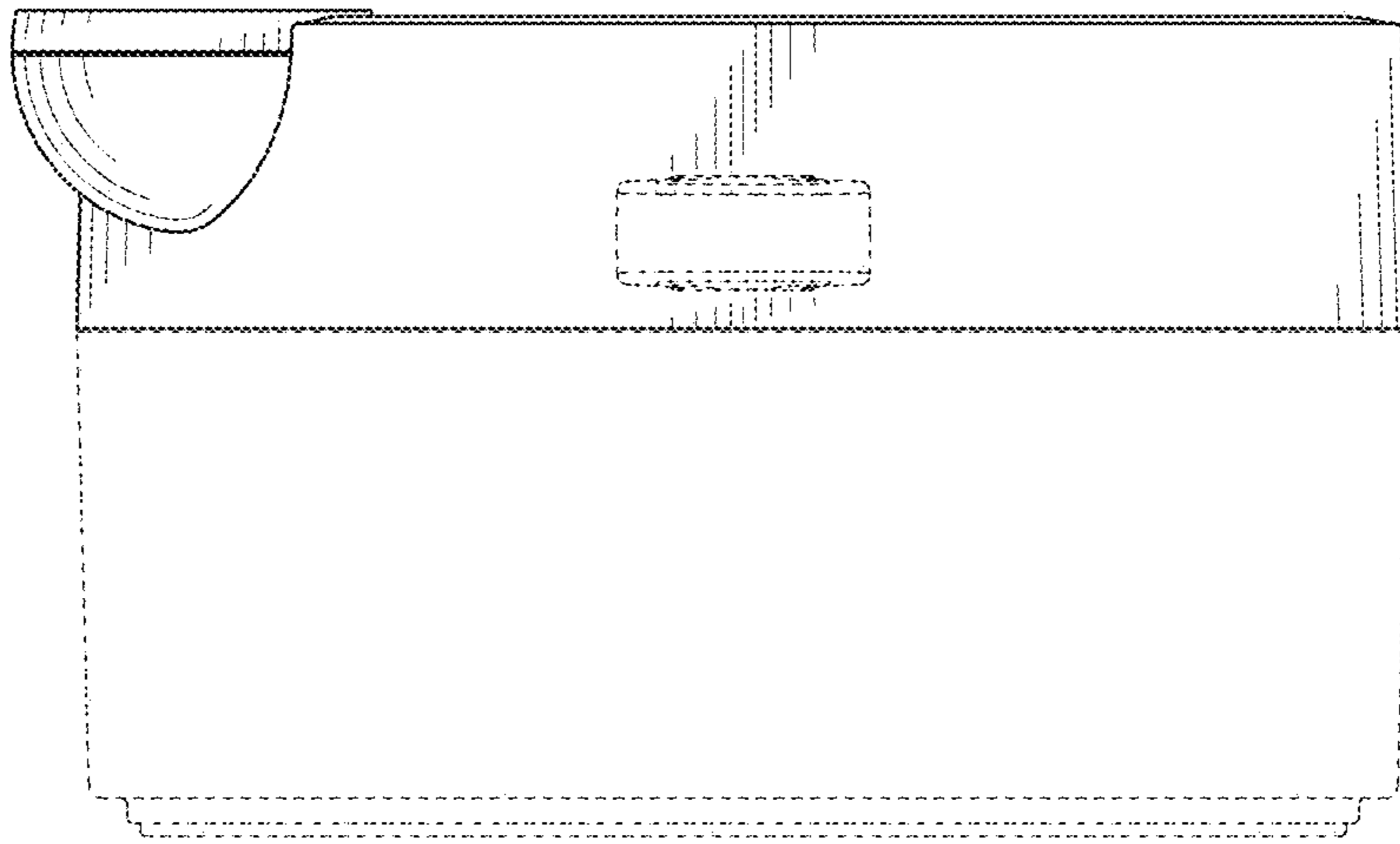


FIG. 3

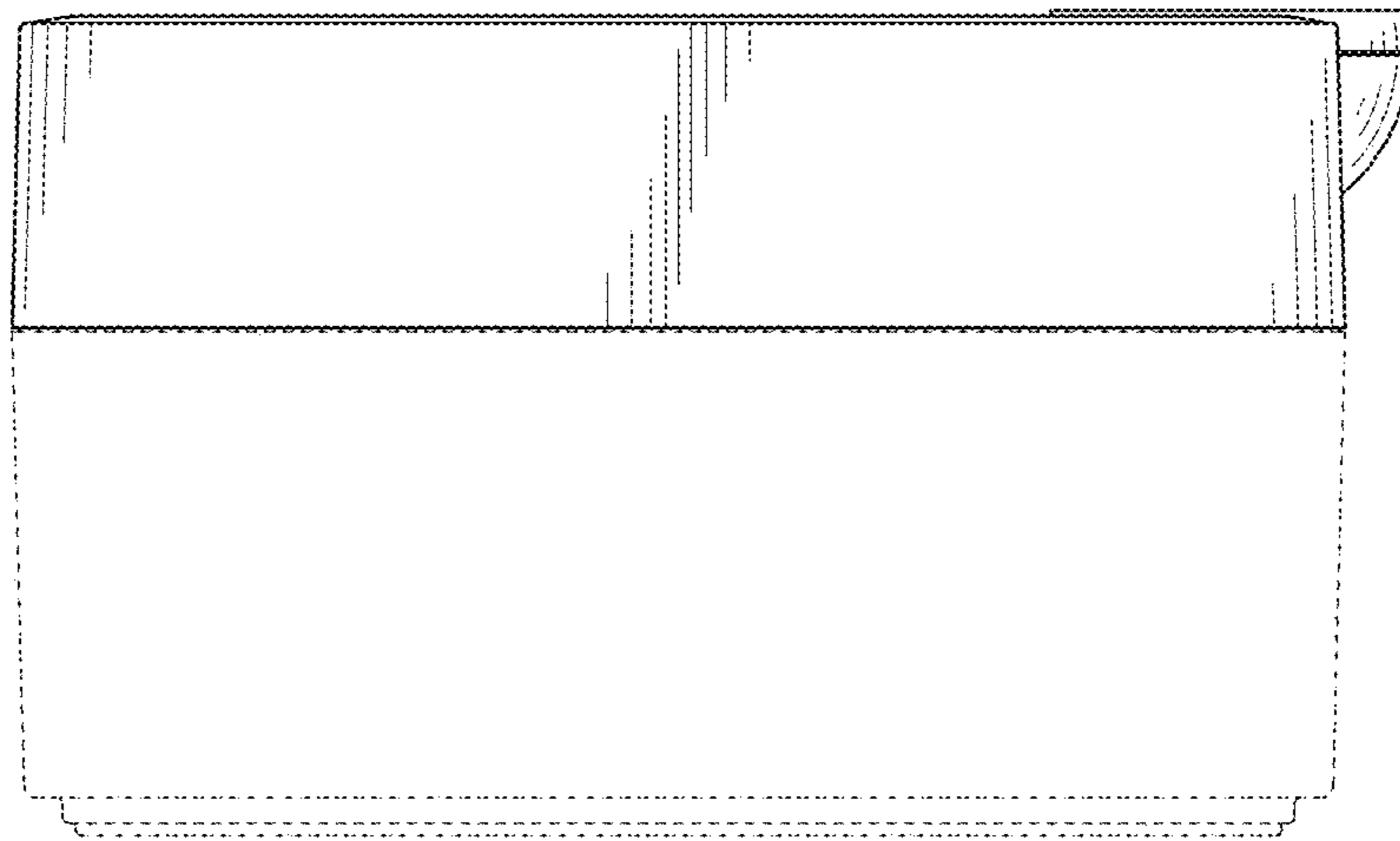


FIG. 4

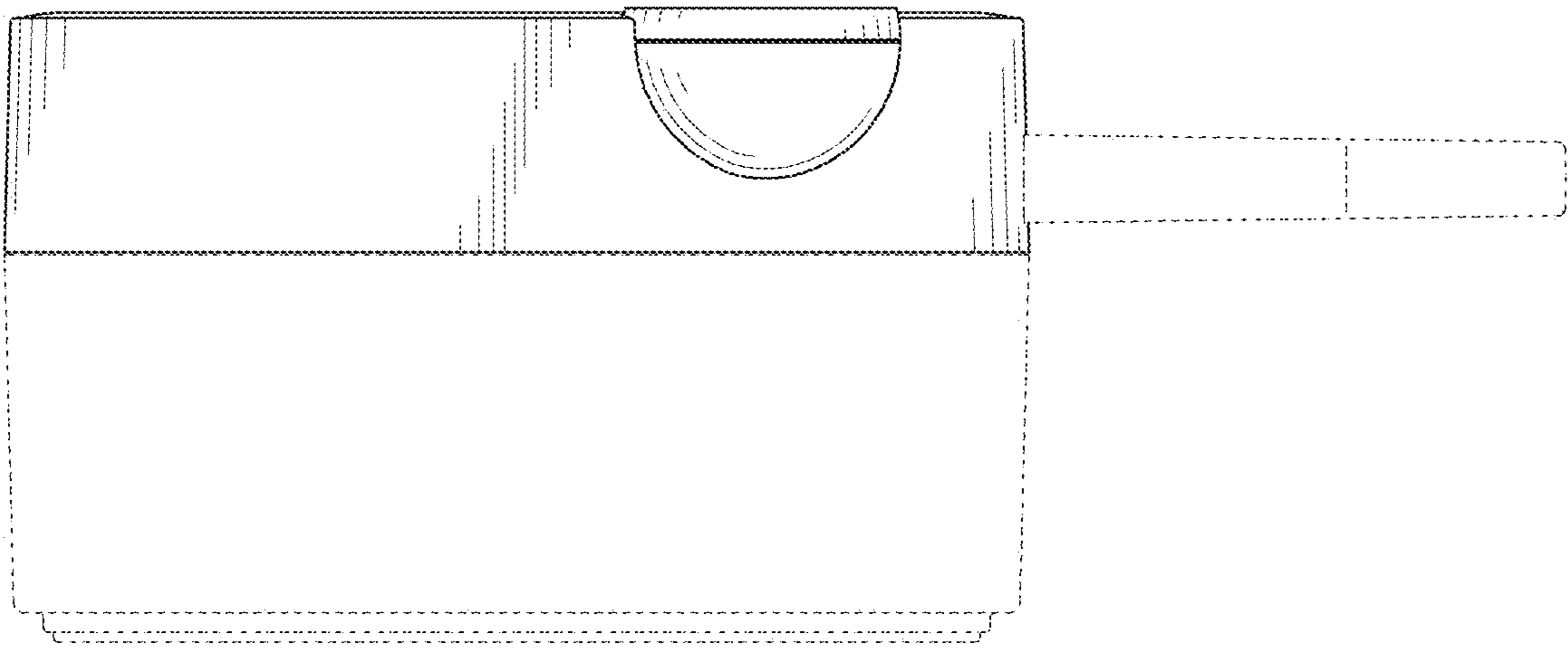


FIG. 5

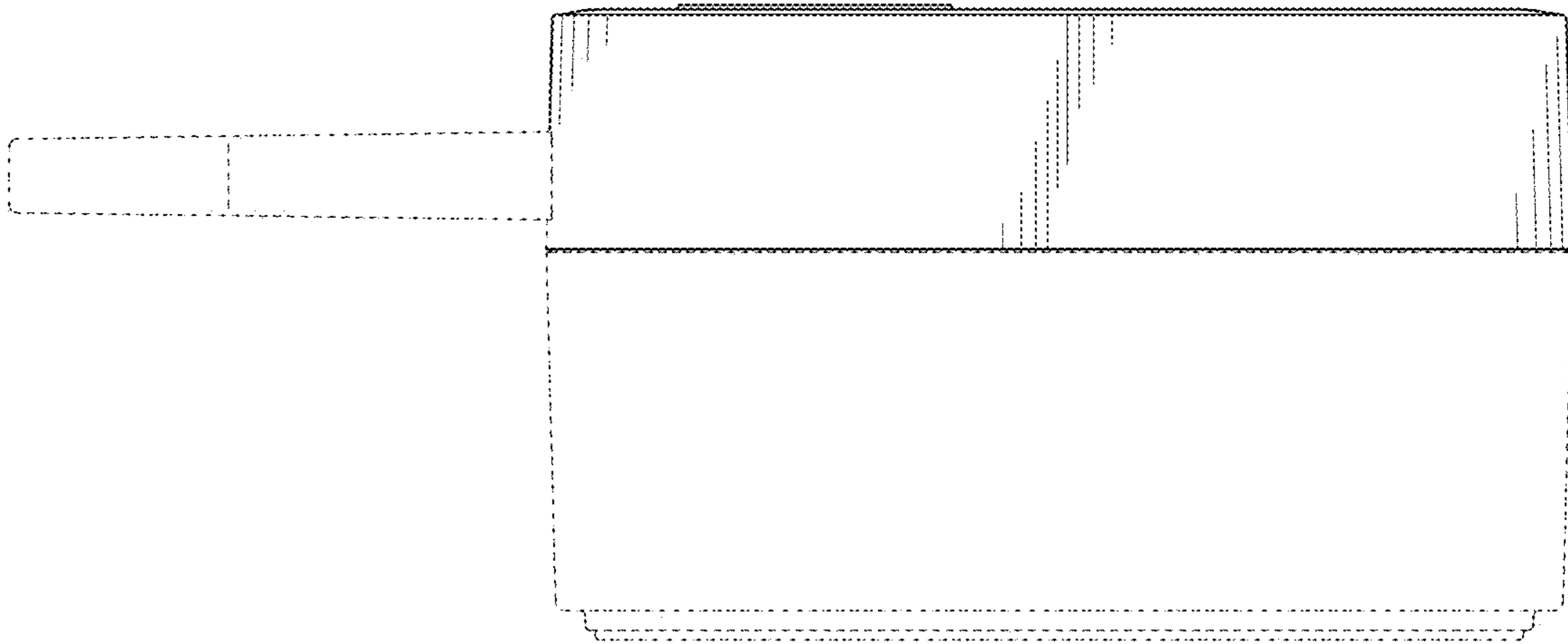


FIG. 6

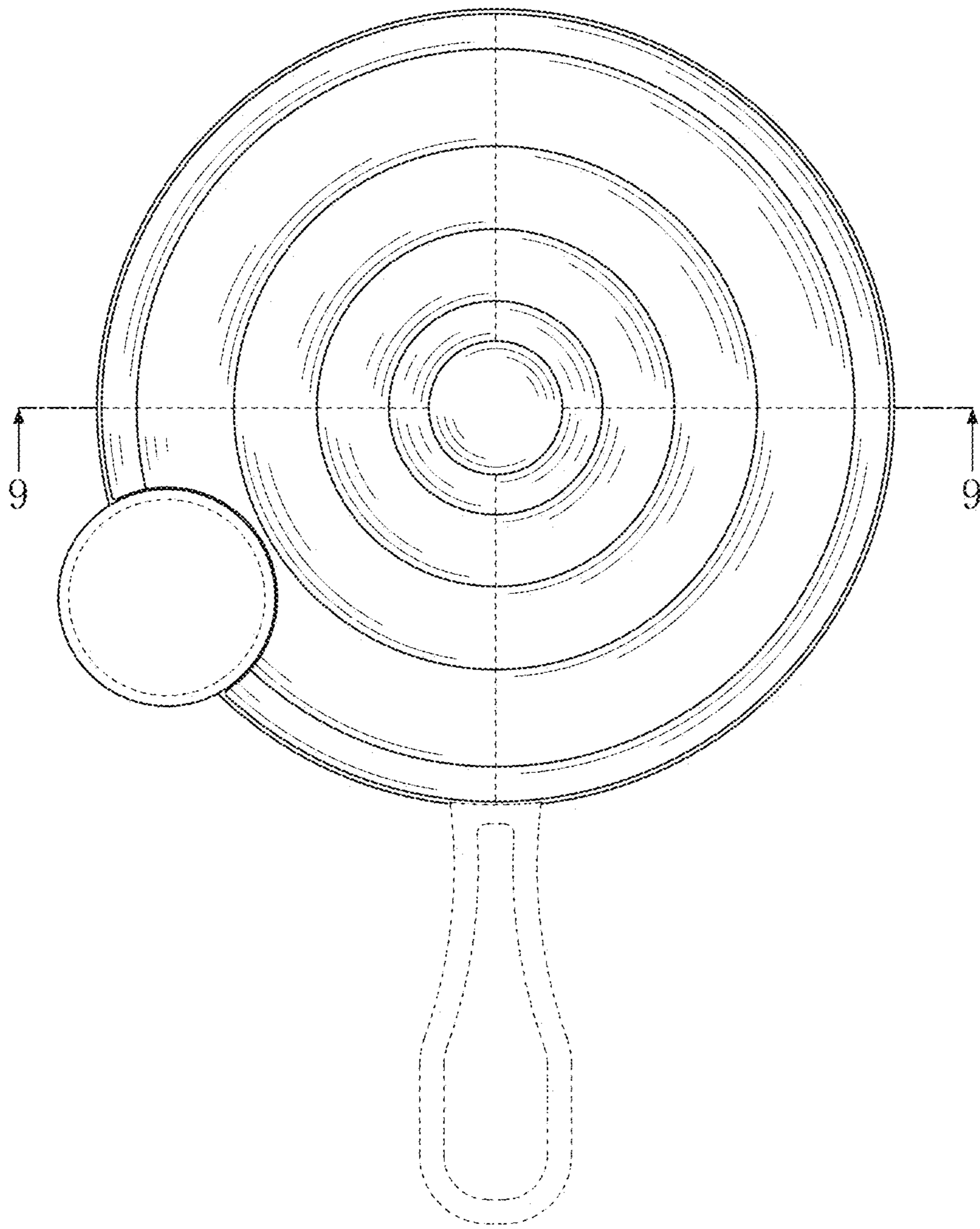


FIG. 7

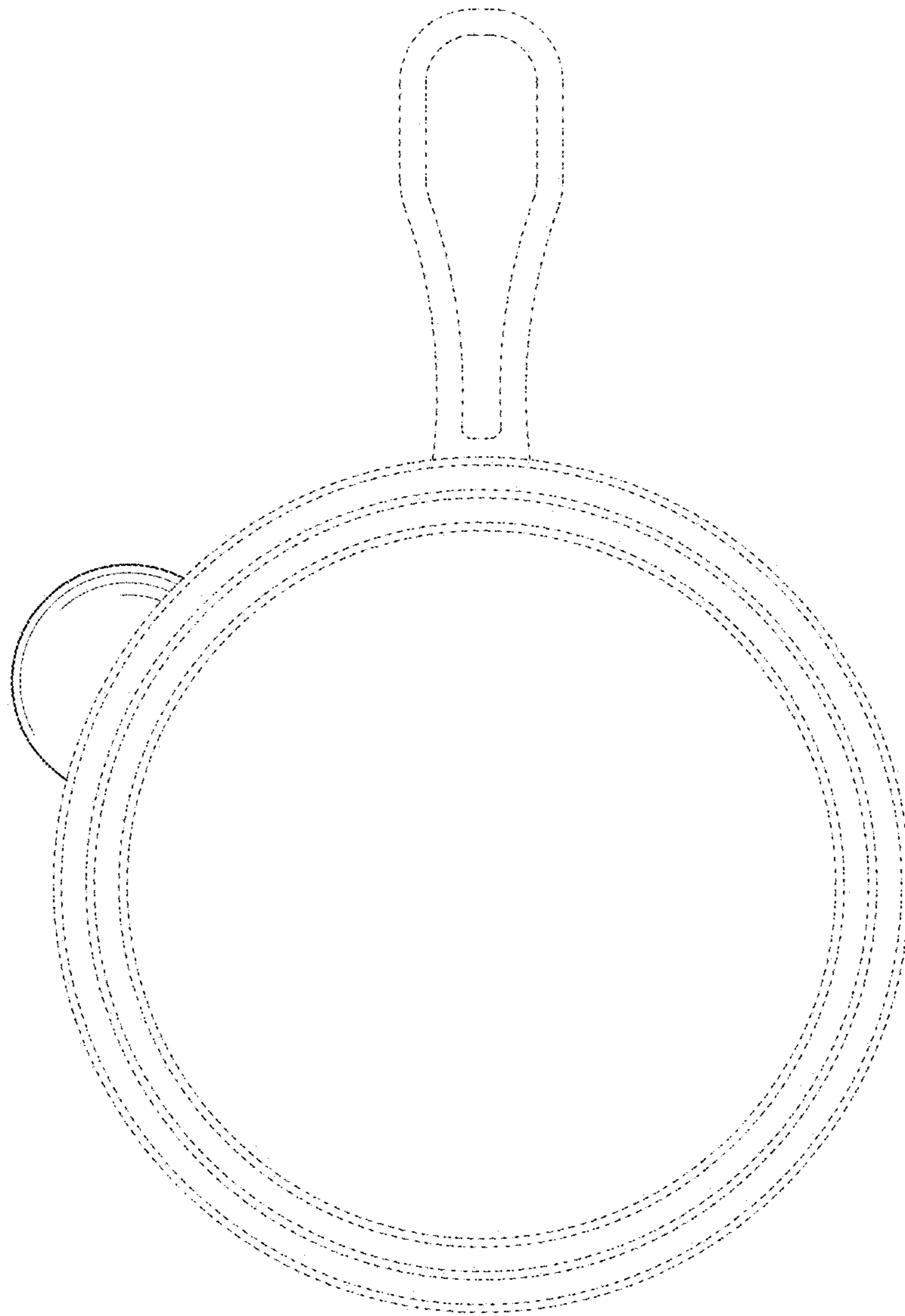


FIG. 8

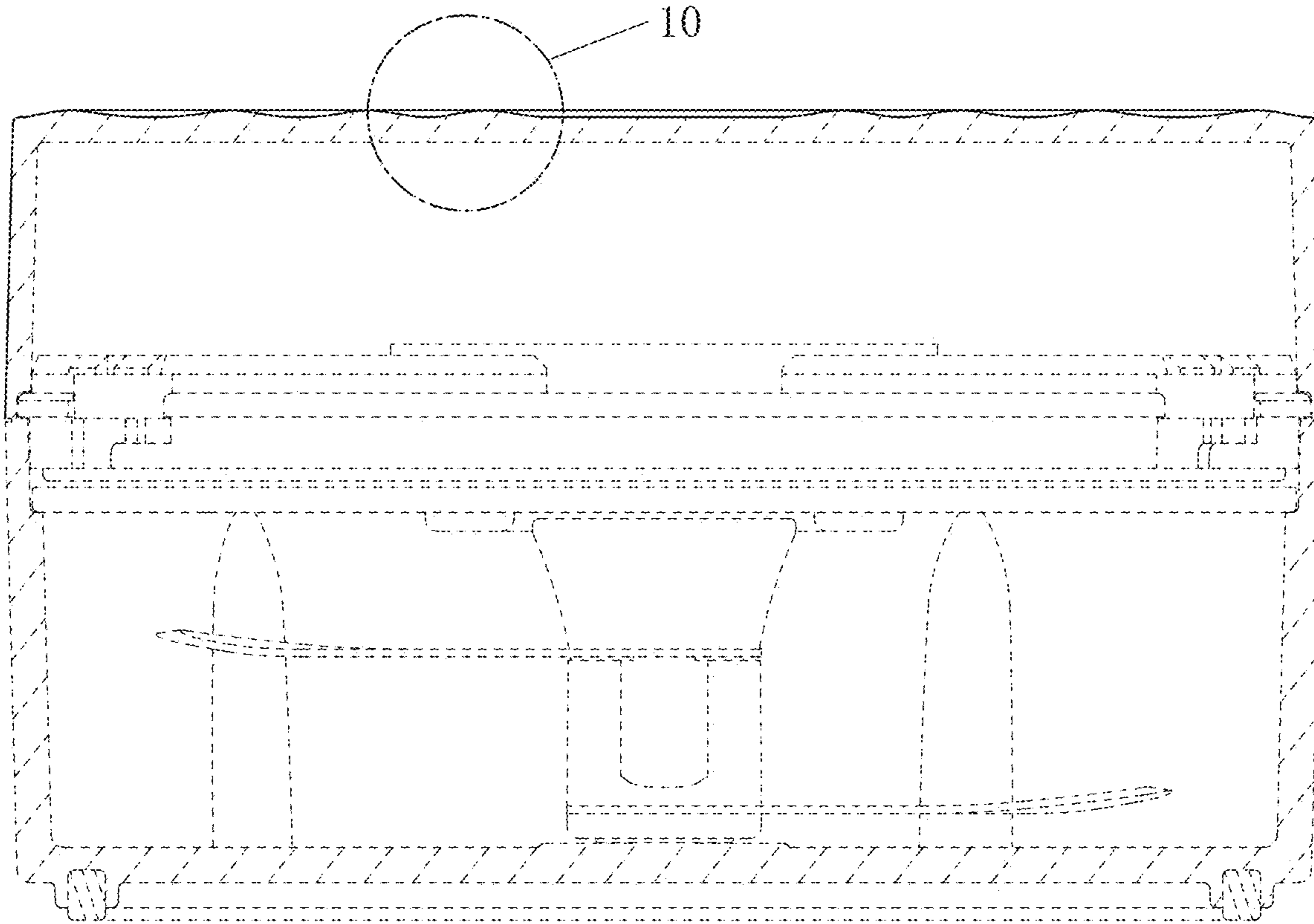


FIG. 9

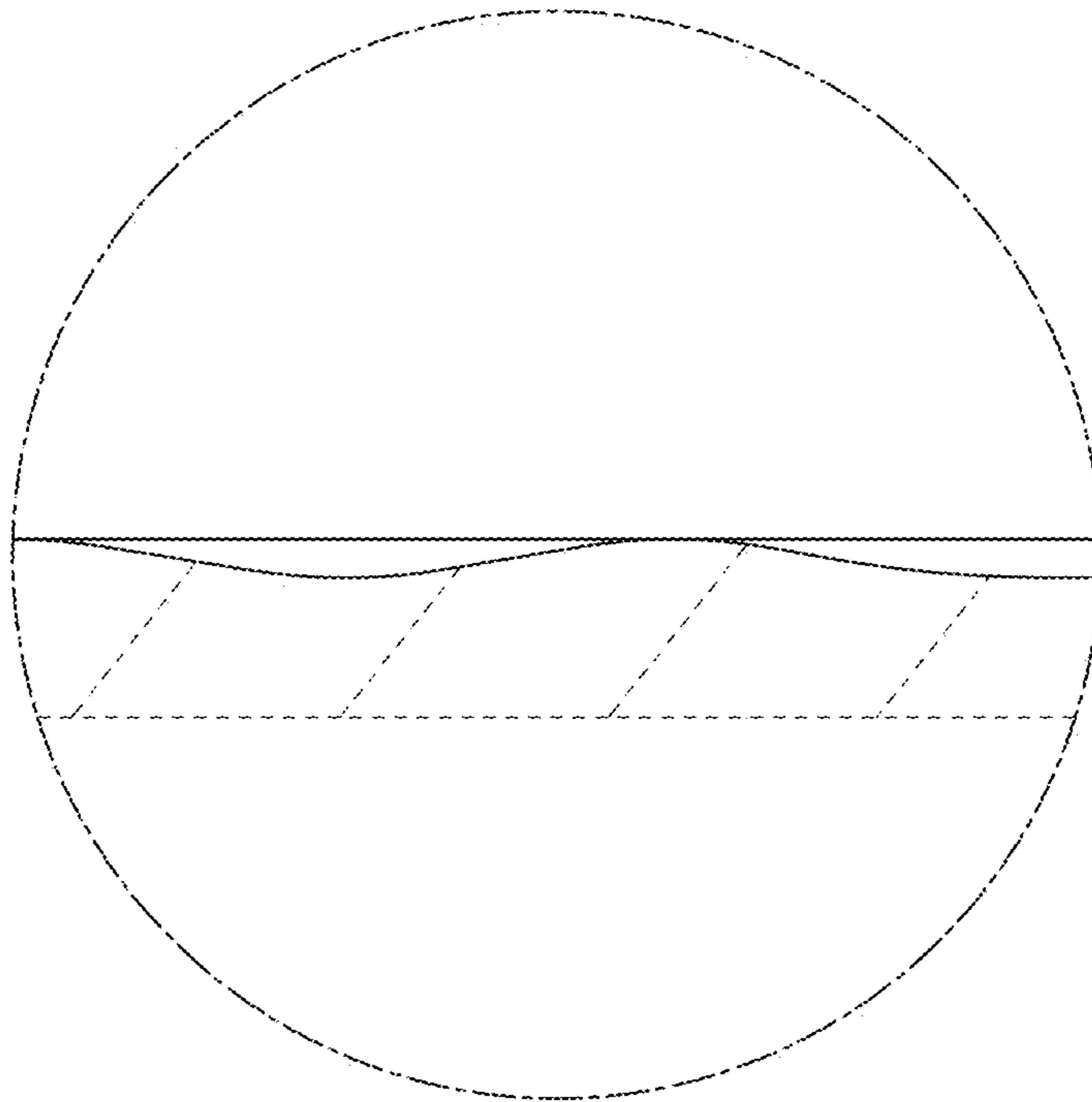


FIG. 10