



US00D894664S

(12) **United States Design Patent** (10) **Patent No.:** **US D894,664 S**
Amirault et al. (45) **Date of Patent:** **** Sep. 1, 2020**

(54) **CHAFING PAN**

(71) Applicant: **STERNO PRODUCTS, LLC.**, Corona, CA (US)

(72) Inventors: **David Amirault**, Corona, CA (US);
Andrew B. Mendenhall, Corona, CA (US); **Dennis M. Turner**, Corona, CA (US); **Steven L. Cox**, Corona, CA (US)

(73) Assignee: **Sterno Products, LLC.**, Corona, CA (US)

(**) Term: **15 Years**

(21) Appl. No.: **29/715,624**

(22) Filed: **Dec. 3, 2019**

Related U.S. Application Data

(62) Division of application No. 29/664,362, filed on Sep. 24, 2018, now Pat. No. Des. 873,066.

(51) **LOC (12) Cl.** **07-02**

(52) **U.S. Cl.**
USPC **D7/354; D7/355**

(58) **Field of Classification Search**
USPC D7/323, 354-361, 543, 545, 549, 550.1, D7/553.1-553.8, 554.1-554.4, 555, 584, D7/586, 667; D9/430-433, 455-456, D9/737, 756-762

CPC A21B 3/00; A21B 3/13; A21B 3/15; A21B 3/134; A21B 5/00; A21B 5/02; A47G 19/12; A47J 27/10; A47J 27/16; A47J 27/17; A47J 36/022; A47J 36/025; A47J 36/027; A47J 36/2405; A47J 37/00; A47J 37/04; B65D 1/22; B65D 1/24; B65D 1/34; B65D 1/36; B65D 81/343; B65D 85/36; H05B 3/80

See application file for complete search history.

(56) **References Cited**

U.S. PATENT DOCUMENTS

3,378,333 A 4/1968 Brite
D213,899 S * 4/1969 Rickmeier D7/355
3,871,357 A 3/1975 Grosso et al.
5,117,809 A 6/1992 Scaringe et al.
5,269,217 A * 12/1993 Goad A47J 27/17
126/33
5,542,418 A 8/1996 James
5,990,455 A * 11/1999 Scott H05B 3/80
219/430
D432,866 S * 10/2000 Harrison D7/545
6,157,007 A * 12/2000 Scott, III A47J 27/10
219/430

6,289,889 B1 9/2001 Bell et al.

(Continued)

FOREIGN PATENT DOCUMENTS

FR 2659940 A1 9/1991
WO 2007098031 A2 8/2007
WO 2013069832 A1 5/2013

Primary Examiner — Ricky Pham

(74) *Attorney, Agent, or Firm* — Stetina Brunda Garred and Brucker

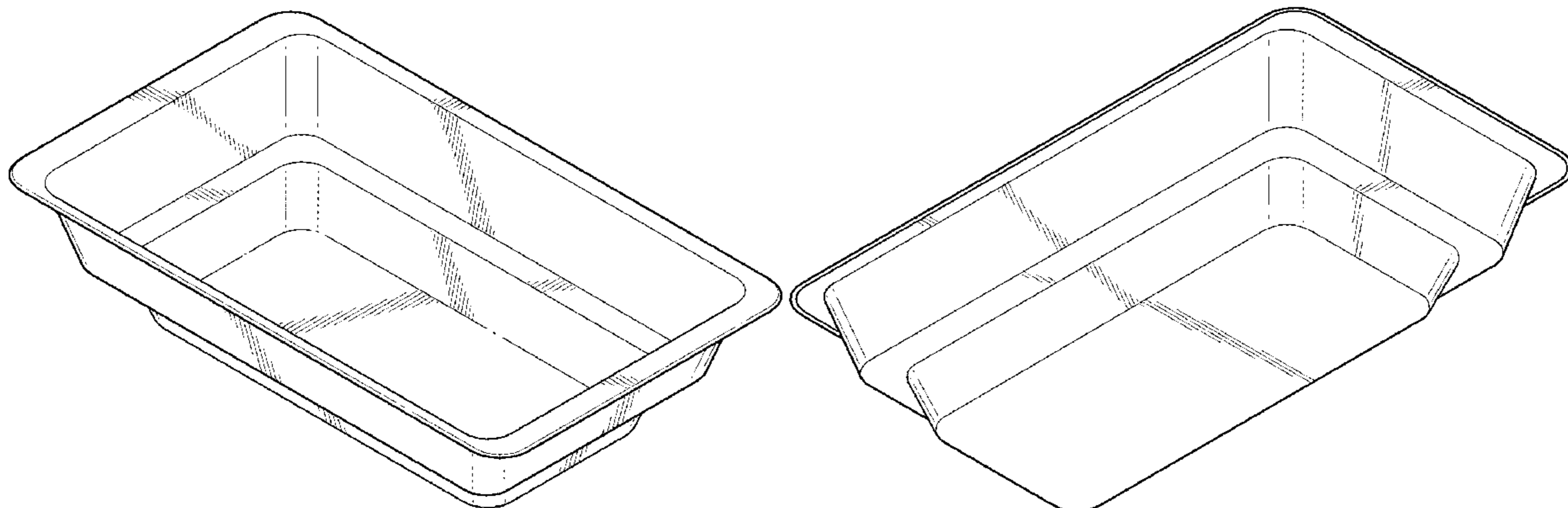
(57) **CLAIM**

The ornamental design for a chafing pan, as shown and described.

DESCRIPTION

FIG. 1 is a top perspective view of a chafing pan of this invention;
FIG. 2 is a bottom perspective view of the chafing pan of FIG. 1;
FIG. 3 is a front view of the chafing pan of FIG. 1, with the back view being a mirror image thereof;
FIG. 4 is a right-side view of the chafing pan of FIG. 3, with the left-side view being a mirror image thereof;
FIG. 5 is a top view of the chafing pan of FIG. 3; and,
FIG. 6 is a bottom view of the chafing pan of FIG. 3.

1 Claim, 3 Drawing Sheets



(56)

References Cited

U.S. PATENT DOCUMENTS

6,440,509	B1	8/2002	Littlejohn et al.	
6,530,935	B2	3/2003	Wensel et al.	
7,025,055	B2	4/2006	Scudder et al.	
D528,376	S *	9/2006	Munson	D7/356
D529,755	S *	10/2006	Lobman	D7/356
7,347,327	B2 *	3/2008	Lobman	A47J 27/17 206/518
7,392,907	B2	7/2008	Herbert et al.	
7,866,503	B2 *	1/2011	Liebzeit	A47J 27/16 220/573.1
8,869,682	B2 *	10/2014	Tosdale	A47J 27/16 99/426
9,016,511	B2	4/2015	Widitora et al.	
9,435,567	B2	9/2016	Ra	
9,510,699	B1 *	12/2016	Miller	A47G 19/12
9,731,879	B2	8/2017	Sheldon et al.	
9,851,125	B2	12/2017	Arnold	
D866,239	S *	11/2019	Amirault	D7/354
D873,066	S	1/2020	Amirault et al.	
2005/0150395	A1 *	7/2005	Olekaibe	A47J 36/2405 99/483
2015/0017287	A1	1/2015	Sevim	
2015/0136633	A1	5/2015	Sarnoff et al.	
2017/0326618	A1	11/2017	Sarnoff et al.	
2018/0092493	A1	4/2018	Hale et al.	

* cited by examiner

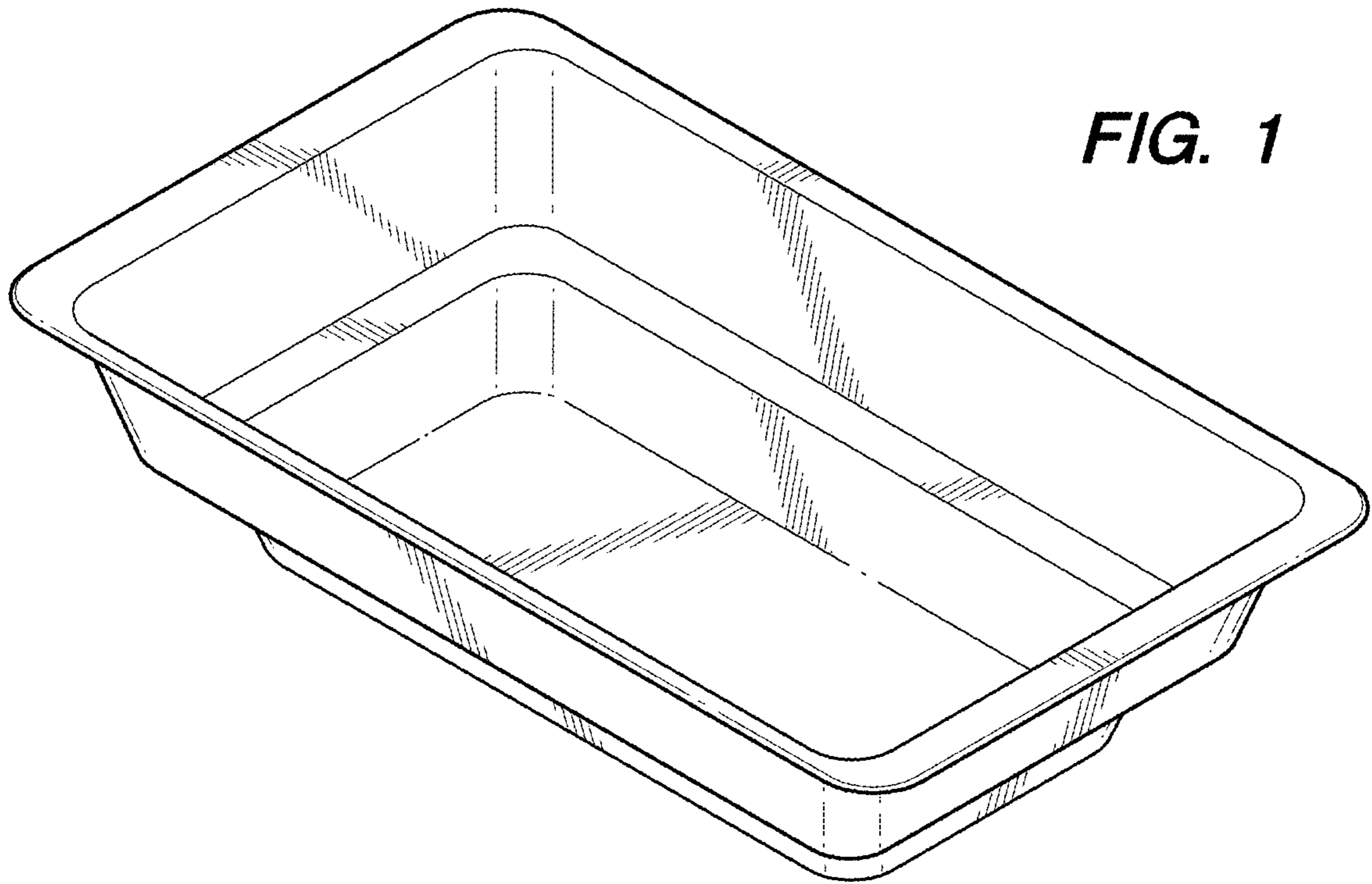


FIG. 1

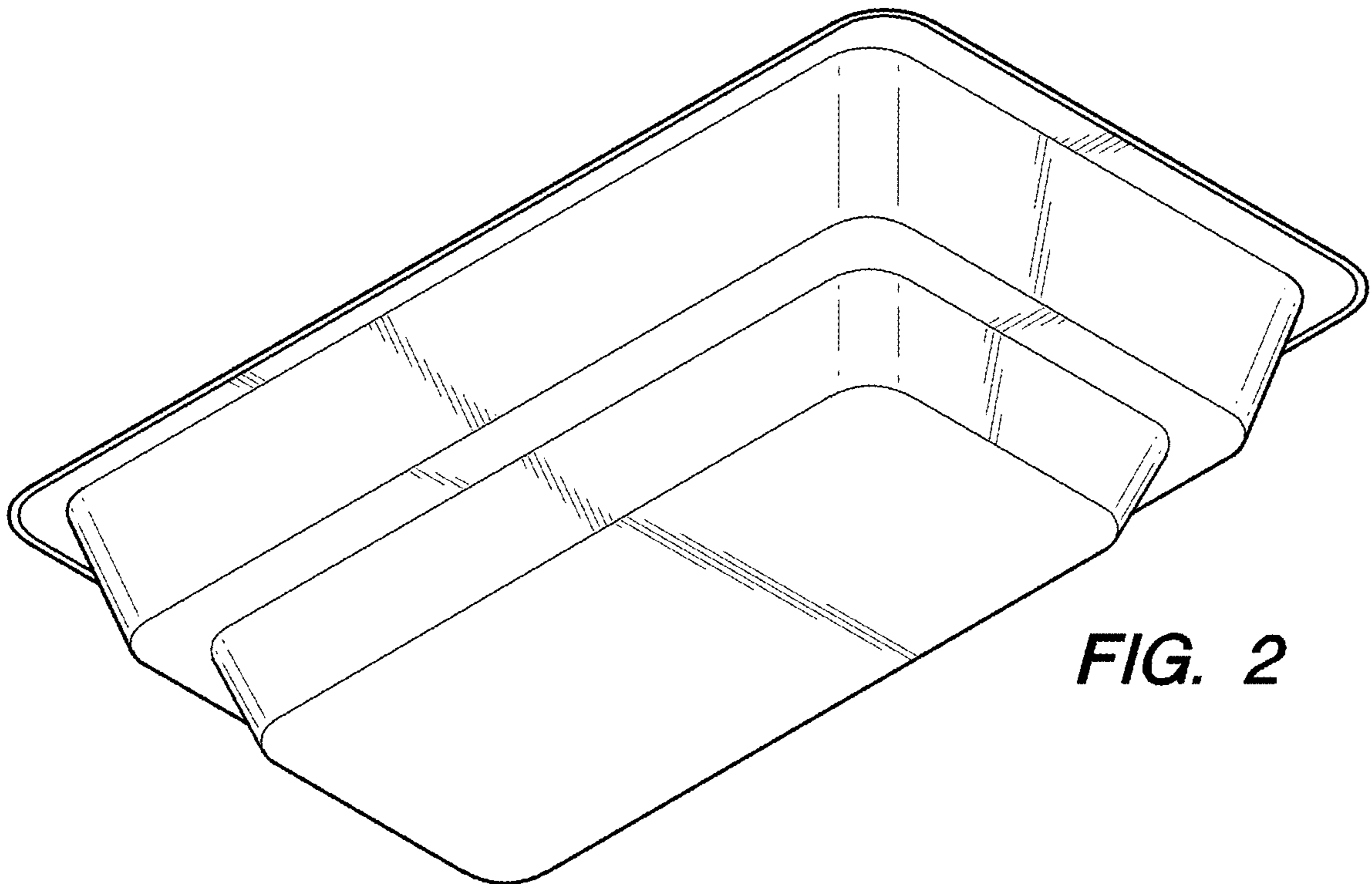


FIG. 2

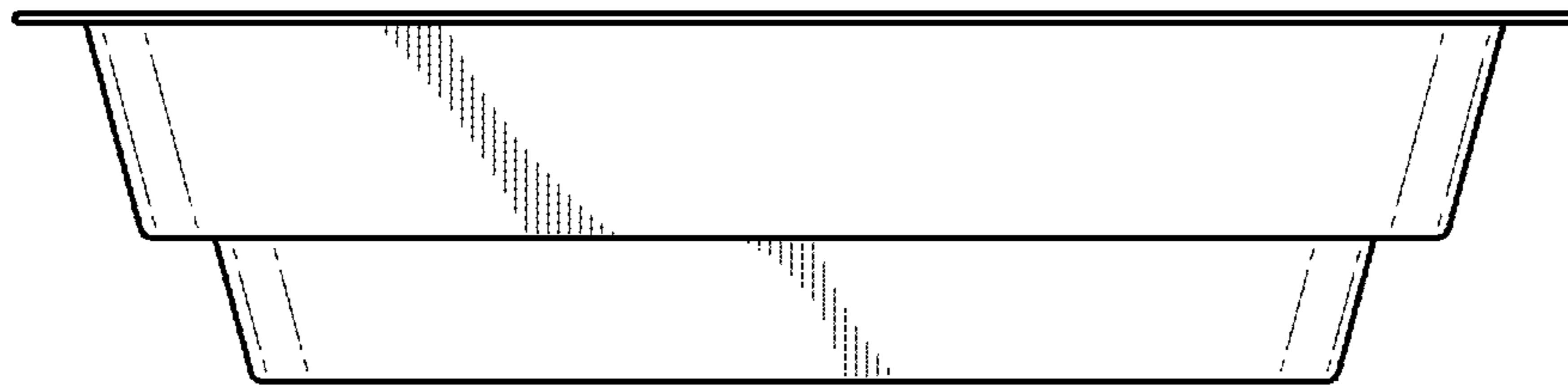


FIG. 3

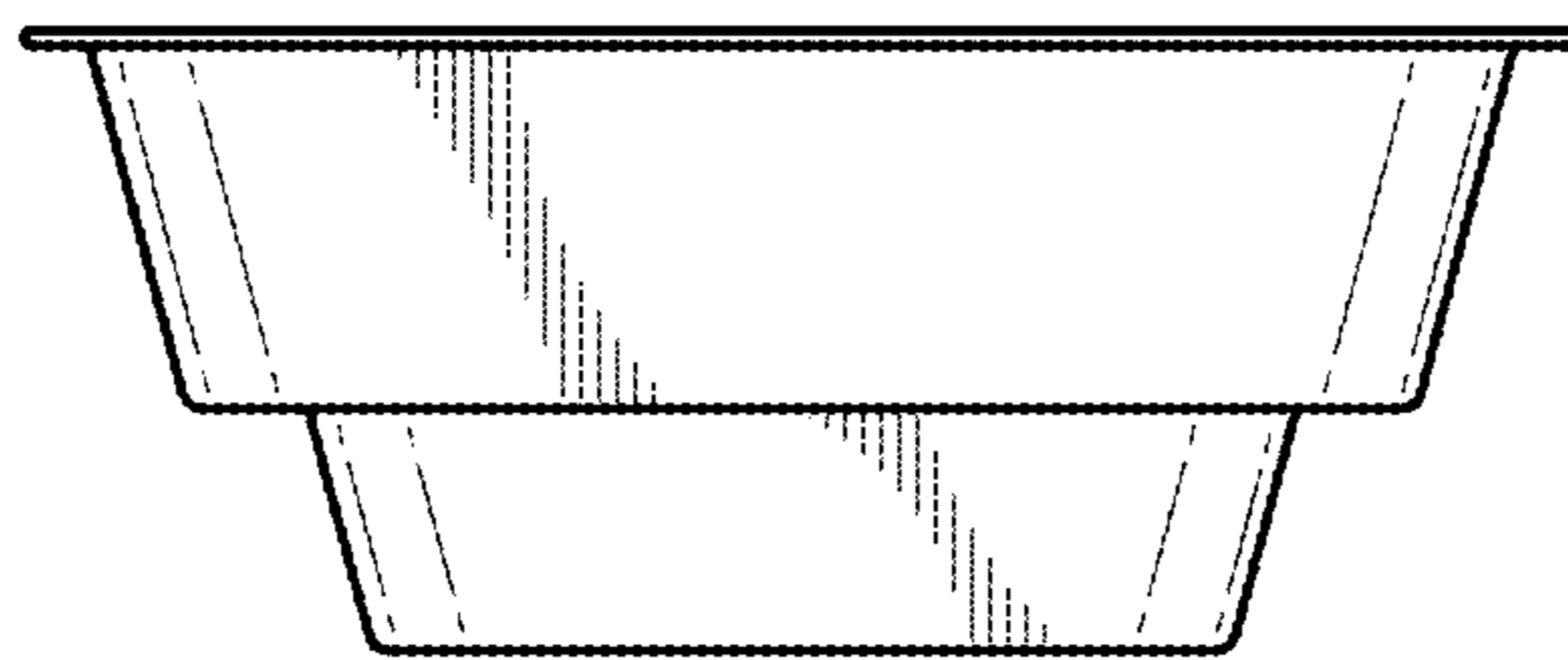


FIG. 4

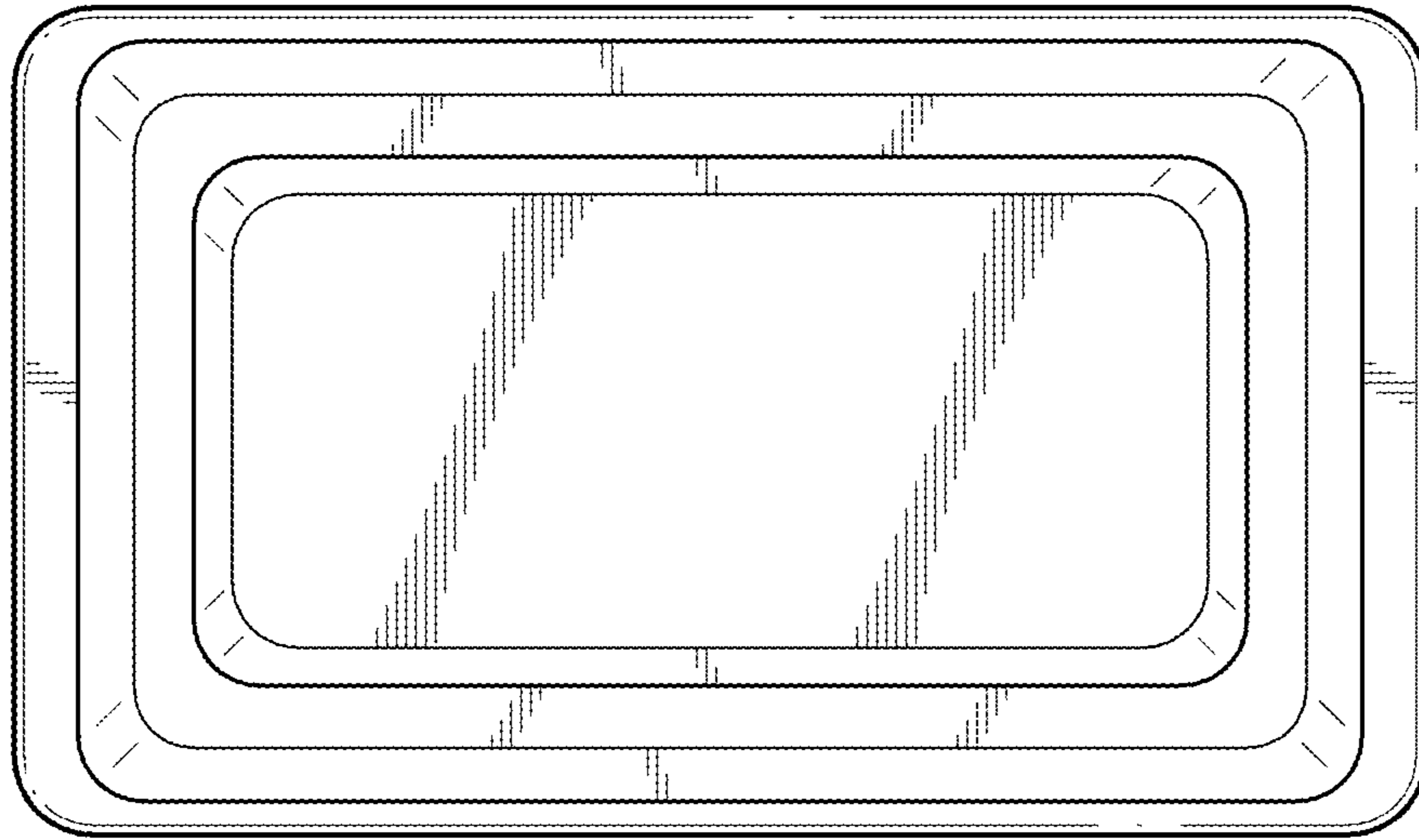


FIG. 5

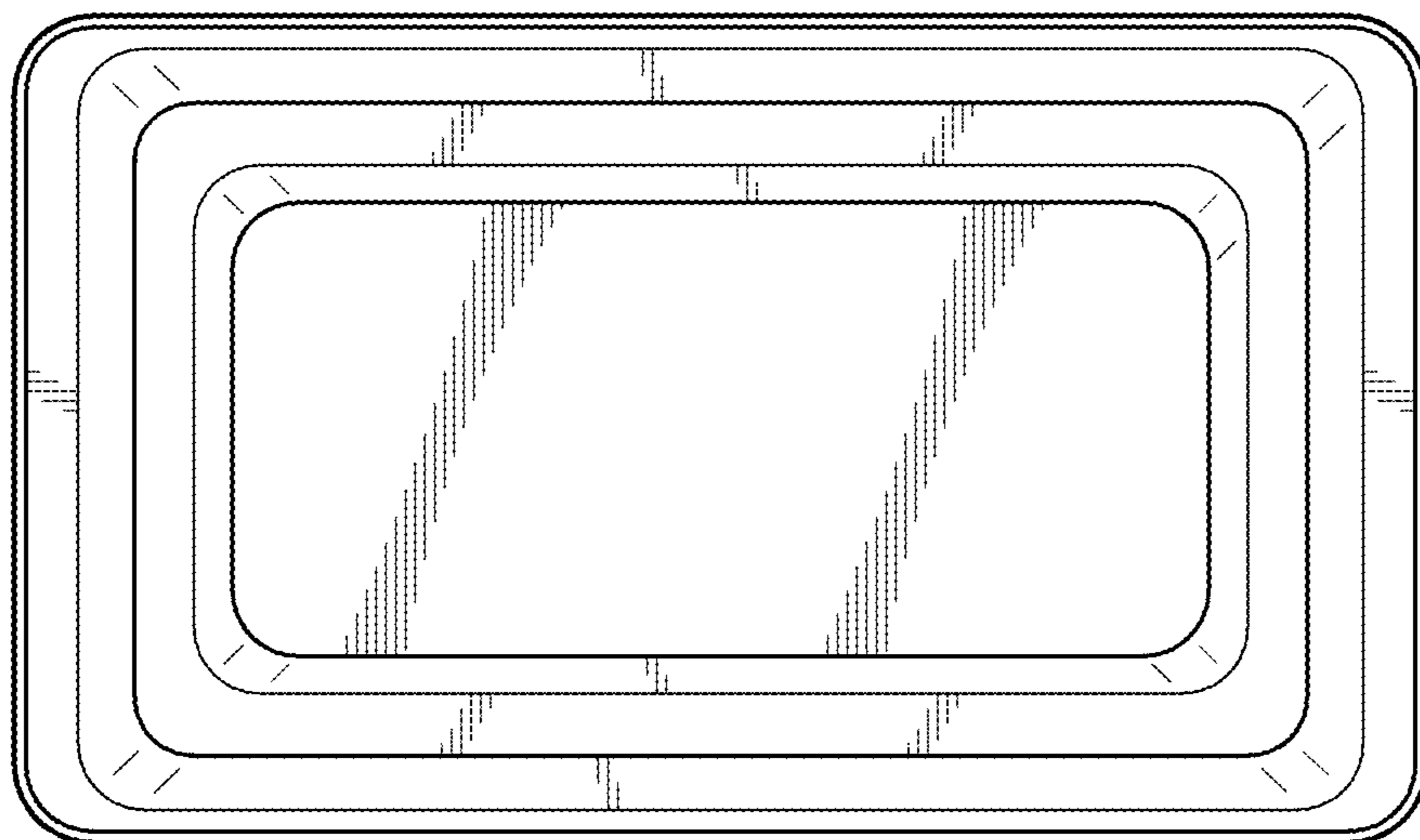


FIG. 6