

US00D894663S

(12) **United States Design Patent**
Harrell et al.

(10) **Patent No.:** **US D894,663 S**
(45) **Date of Patent:** **** Sep. 1, 2020**

- (54) **STOVE**
- (71) Applicant: **Dometic Sweden AB**, Solna (SE)
- (72) Inventors: **Dustin Harrell**, Goodlettsville, TN (US); **Samuele Meda**, Solna (SE); **Kristoffer Olsson**, Stockholm (SE)
- (73) Assignee: **Dometic Sweden AB**, Solna (SE)
- (**) Term: **15 Years**
- (21) Appl. No.: **29/690,322**
- (22) Filed: **May 7, 2019**

- D343,336 S 1/1994 Falk
- D369,062 S 4/1996 Holbrook, Jr.
- D392,502 S 3/1998 Ashcraft
- D393,774 S 4/1998 Ashcraft
- 5,931,151 A 8/1999 Van Dore et al.
- 6,257,228 B1 7/2001 Braccini
- D479,781 S 9/2003 Pottenger et al.
- D479,942 S 9/2003 Pottenger et al.
- D480,261 S 10/2003 Pottenger et al.
- D495,202 S 8/2004 Becker et al.
- D510,227 S 10/2005 Baldwin
- D524,601 S 7/2006 Vetter
- D538,581 S 3/2007 Lee
- D564,838 S 3/2008 Shin
- D599,608 S 9/2009 Grumm et al.

(Continued)

Related U.S. Application Data

- (62) Division of application No. 29/627,085, filed on Nov. 22, 2017, now Pat. No. Des. 851,439.
- (51) **LOC (12) Cl.** **07-02**
- (52) **U.S. Cl.**
USPC **D7/346**; D7/339; D7/340
- (58) **Field of Classification Search**
USPC D7/323, 328-330, 339-349, 362, 390, D7/402-408; D8/300-306
CPC ... A21B 2/00; A47J 37/00; A47J 37/06; A47J 37/0611; A47J 37/08; A47J 37/0807; A47J 37/0814; A47J 37/0835; A47J 37/0842; A47J 37/085; A47J 37/0864; A47J 37/0878; A47J 37/0885; A47J 37/0892; B60N 3/16; F24C 7/00; F24C 7/002; F24C 7/046; F24C 7/067; F24C 15/02; F24C 15/04; F24C 15/10; F24C 15/102; F24C 15/2042
See application file for complete search history.

FOREIGN PATENT DOCUMENTS

CN 304863114 S 10/2018

OTHER PUBLICATIONS

Design U.S. Appl. No. 29/690,324, filed May 7, 2019 entitled "Stove".

(Continued)

Primary Examiner — Ricky Pham
(74) *Attorney, Agent, or Firm* — Middleton Reutlinger

(57) **CLAIM**

The ornamental design for a stove, as shown and described.

DESCRIPTION

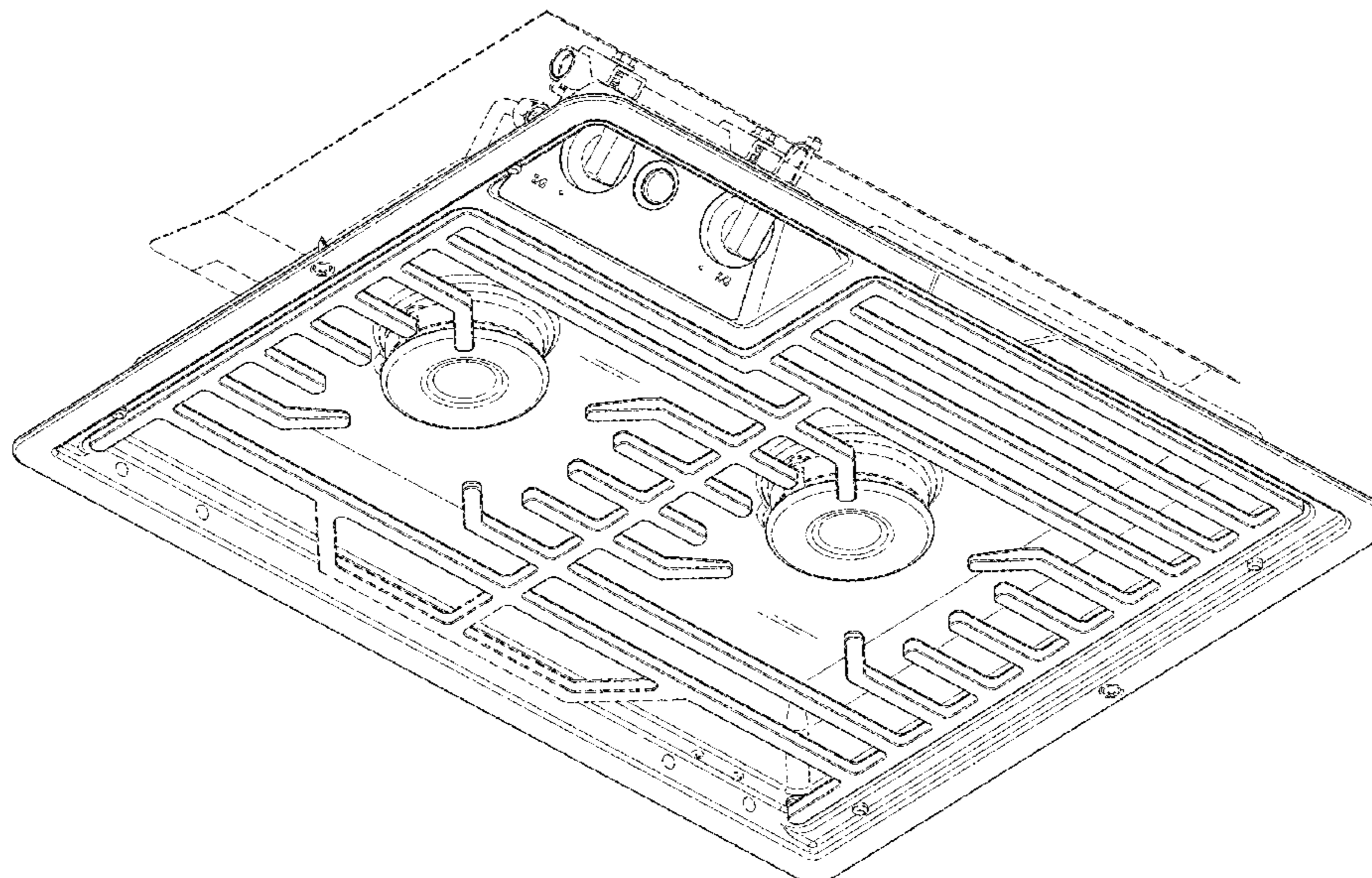
FIG. 1 is an upper perspective view of a stove design; and, FIG. 2 is a top view of the second stove design of FIG. 1. The broken line disclosure represents unclaimed portions or unclaimed boundaries of the stove in which the design is embodied.

1 Claim, 2 Drawing Sheets

(56) **References Cited**

U.S. PATENT DOCUMENTS

- 3,142,295 A 7/1964 Blee
- 5,119,802 A * 6/1992 Cherry F24C 15/2042
126/21 A



(56)

References Cited

OTHER PUBLICATIONS

U.S. PATENT DOCUMENTS

D622,537 S 8/2010 Kim et al.
 D628,017 S 11/2010 Funnell et al.
 D628,431 S * 12/2010 Funnell D7/346
 D629,638 S 12/2010 Funnell
 D634,579 S 3/2011 Funnell et al.
 D684,424 S 6/2013 Funnell et al.
 D722,818 S 2/2015 Pionek
 D722,820 S 2/2015 Pionek
 D724,382 S 3/2015 Pionek
 D731,845 S 6/2015 Kim et al.
 D752,386 S * 3/2016 Pionek D7/406
 D755,009 S 5/2016 Kim et al.
 D763,616 S 8/2016 Kim et al.
 D765,459 S 9/2016 Shoemaker et al.
 D771,437 S 11/2016 Segers
 D778,111 S 2/2017 Shoemaker et al.
 D779,262 S 2/2017 Kim et al.
 D781,648 S 3/2017 Shoemaker et al.
 D798,662 S * 10/2017 Shoemaker D7/408
 D804,245 S 12/2017 Segers
 D810,493 S 2/2018 Harrell et al.
 D811,165 S 2/2018 Sadtler
 D812,415 S * 3/2018 Best D7/362
 D812,959 S 3/2018 Kim
 D816,386 S 5/2018 Kim
 D817,066 S 5/2018 Shoemaker
 D817,691 S * 5/2018 Kim D7/346
 D821,802 S * 7/2018 Jeon D7/346
 D839,038 S * 1/2019 Bell D7/346
 D843,159 S 3/2019 Kim et al.
 D846,944 S 4/2019 Incukur
 D851,439 S 6/2019 Harrell et al.
 D851,978 S * 6/2019 Bell D7/340
 D851,979 S 6/2019 Bell
 D857,452 S 8/2019 Sadtler
 D859,054 S 9/2019 Kim et al.
 D872,516 S * 1/2020 Bell D7/346
 D873,062 S * 1/2020 Bell D7/346
 10,527,292 B2 * 1/2020 Bell B60N 3/16
 D874,209 S * 2/2020 Harrell D7/346
 2011/0120446 A1 5/2011 Simms et al.
 2019/0154264 A1 5/2019 Harrell
 2019/0383497 A1 12/2019 Cowan et al.

Design U.S. Appl. No. 29/715,462, filed Dec. 2, 2019 entitled "Stove Grate".
 Notice of Allowance issued in Design U.S. Appl. No. 29/627,084 dated Oct. 2, 2019.
 Chinese Patent Application No. 201830235109.2 filed May 21, 2018 entitled "Stove".
 Chinese Patent Application No. 201830235110.5 filed May 21, 2018 entitled "Stove Grate".
 Dometic 2016 Product Catalogue, Cooking, pp. 95-96. Nov. 18, 2015.
 Design U.S. Appl. No. 29/627,123, filed Nov. 22, 2017 entitled "Stove".
 Design U.S. Appl. No. 29/627,084, filed Nov. 22, 2017 entitled "Stove".
 U.S. Appl. No. 62/589,769, filed Nov. 22, 2017 entitled "Stove".
 Design U.S. Appl. No. 29/633,001, filed Jan. 11, 2018 entitled "Cooktop Cover".
 Chinese Patent Application No. 201830234902.0 filed May 21, 2018 entitled "Stove".
 Dometic 2016 Product Catalogue, Cooking, p. 95-96, Nov. 16, 2015.
 Restriction Requirement issued in U.S. Appl. No. 29/627,084 dated Oct. 11, 2018.
 Restriction Requirement mailed in Design U.S. Appl. No. 29/627,085 dated Oct. 31, 2018.
 Notice of Allowance issued in Design U.S. Appl. No. 29/627,084 dated Feb. 7, 2019.
 Notice of Allowance mailed in Design U.S. Appl. No. 29/627,084 dated Jul. 15, 2019.
 Design U.S. Appl. No. 29/627,123, filed Nov. 22, 2017 entitled "Stove Grate".
 Non Final Office Action issued in U.S. Appl. No. 16/196,430 dated Apr. 3, 2020.
 Notice of Allowance issued in Design U.S. Appl. No. 29/627,123 dated Apr. 7, 2020.
 Notice of Allowance issued in Design U.S. Appl. No. 29/690,324 dated Apr. 15, 2020.
 Notice of Allowance issued in U.S. Appl. No. 29/627,123 dated May 11, 2020.
 Notice of Allowance issued in U.S. Appl. No. 29/690,324 dated May 8, 2020.

* cited by examiner

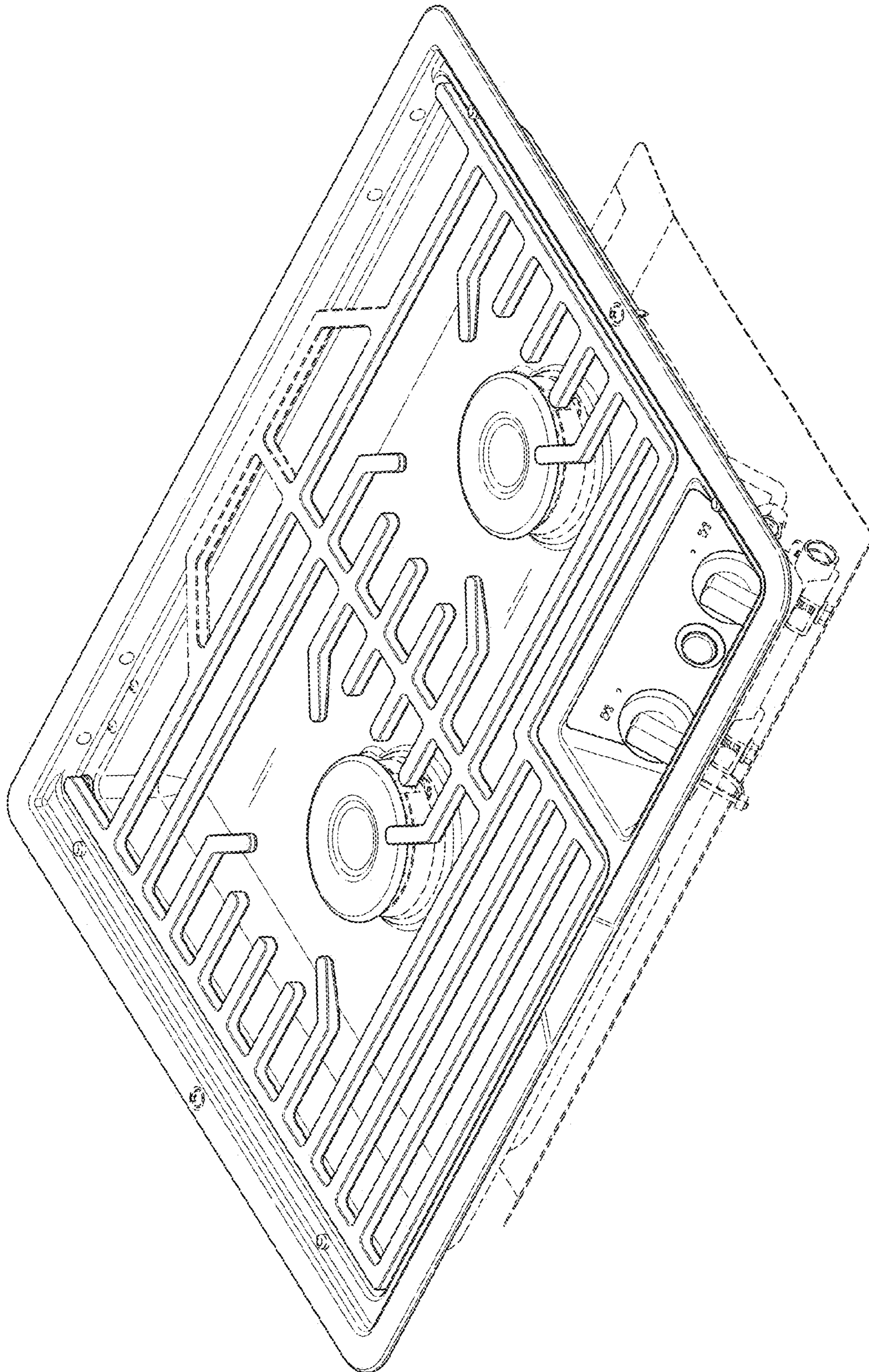


FIG. 1

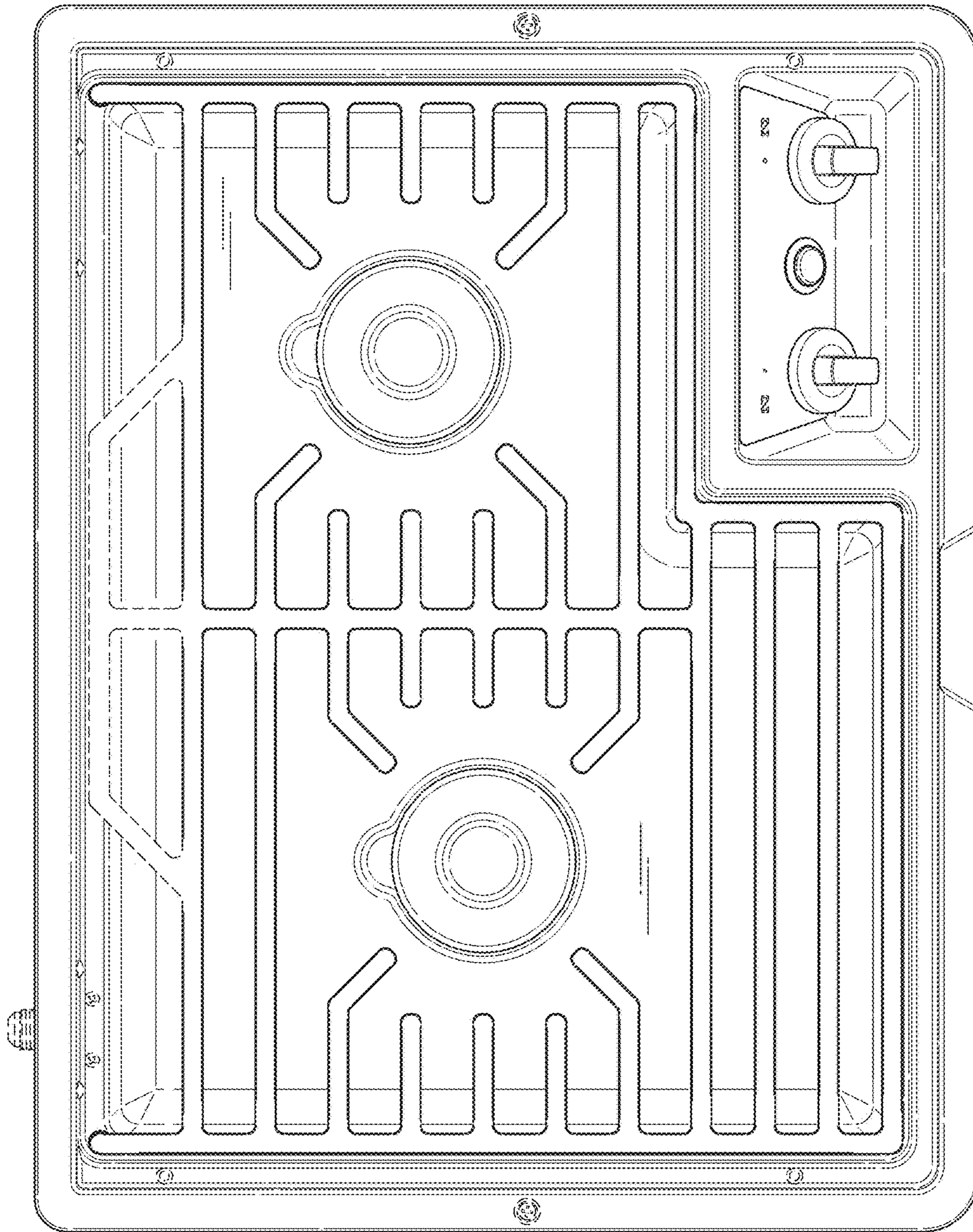


FIG. 2