



US00D894662S

(12) **United States Design Patent** (10) **Patent No.:** **US D894,662 S**
Beneteau et al. (45) **Date of Patent:** **** *Sep. 1, 2020**

(54) **KITCHEN APPLIANCE**

(71) Applicant: **BEABA**, Paris (FR)

(72) Inventors: **Caroline Beneteau**, Paris (FR); **Marine Leluong**, Paris (FR); **Marie Kellou**, Paris (FR); **Alice Sabrie**, Paris (FR)

(73) Assignee: **BEABA**, Paris (FR)

(*) Notice: This patent is subject to a terminal disclaimer.

(**) Term: **15 Years**

(21) Appl. No.: **29/663,986**

(22) Filed: **Sep. 20, 2018**

(30) **Foreign Application Priority Data**

Mar. 20, 2018 (EM) 004 829 505-0001

(51) **LOC (12) Cl.** **07-02**

(52) **U.S. Cl.**
USPC **D7/326**

(58) **Field of Classification Search**

USPC D7/323, 326-327, 368, 601, 602, 605
CPC A01J 9/08; A23L 3/10; A47J 27/04; A47J 27/004; A47J 36/24; A47J 36/2411; A47J 36/2416; A47J 36/2433; A47J 36/2438; A47J 39/00; A47J 39/006; A47J 41/00; H05B 3/0004

See application file for complete search history.

(56) **References Cited**

U.S. PATENT DOCUMENTS

D282,620 S *	2/1986	Cavalli	D7/384
D323,763 S *	2/1992	Barrault	D7/376
D328,998 S *	9/1992	Maass	D7/376
D345,078 S *	3/1994	Gotzsch	D7/376
D413,227 S *	8/1999	Alonge	D7/384
D418,362 S *	1/2000	Wong	D7/384
D419,367 S *	1/2000	Kin	D7/384
D662,353 S *	6/2012	Vulliermet	D7/376
D843,776 S *	3/2019	Sandberg	D7/378
D846,341 S *	4/2019	Smith	D7/384

* cited by examiner

Primary Examiner — Ricky Pham

(74) *Attorney, Agent, or Firm* — Oliff PLC

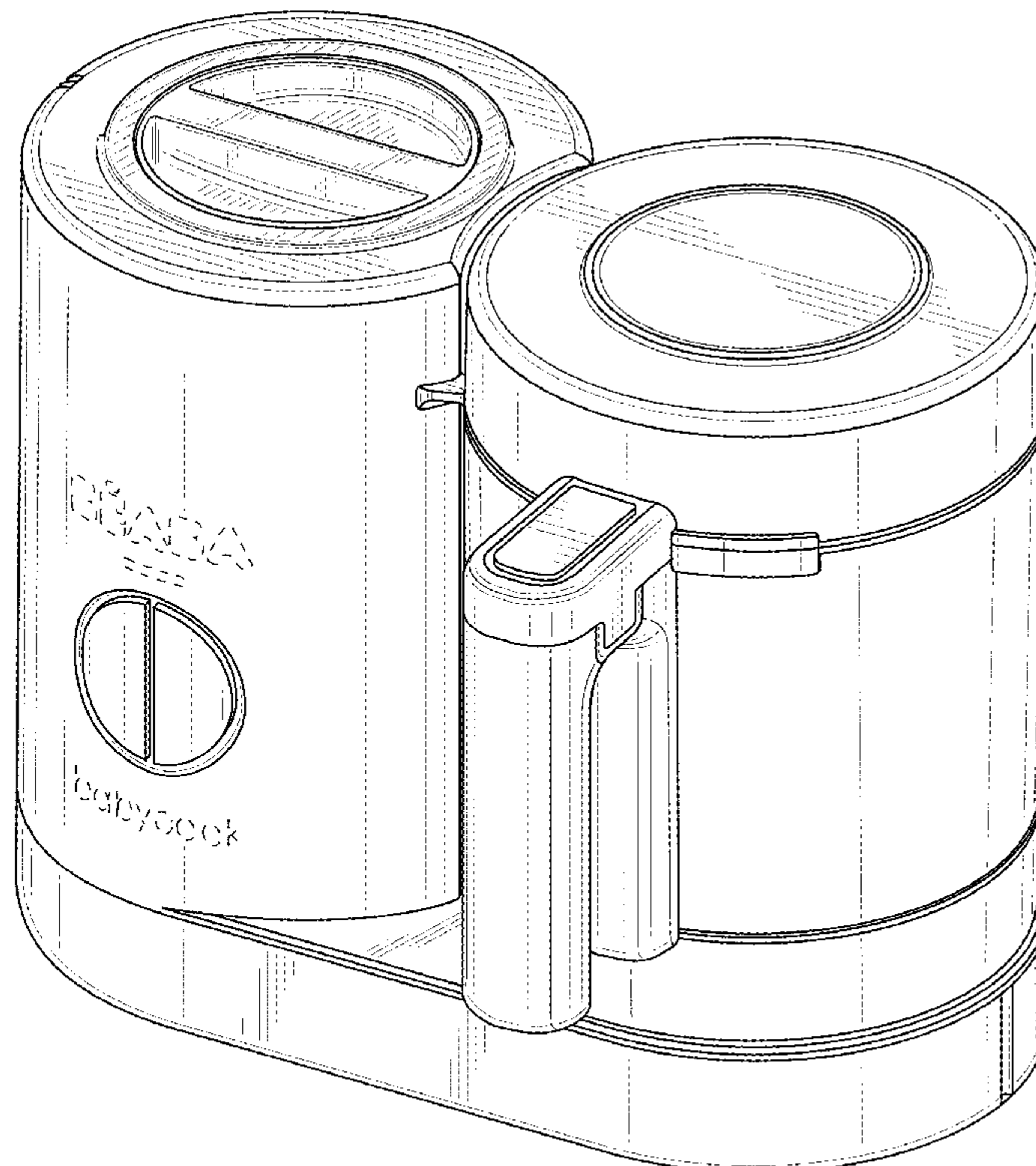
(57) **CLAIM**

The ornamental design for a kitchen appliance, as shown and described.

DESCRIPTION

FIG. 1 is a front, right-side, top perspective view of the kitchen appliance;
FIG. 2 is a rear elevational view thereof;
FIG. 3 is a left-side elevational view thereof;
FIG. 4 is a right-side elevational view thereof;
FIG. 5 is a top plan view thereof; and,
FIG. 6 is a bottom plan view thereof.
The broken lines depict portions of the kitchen appliance that form no part of the claimed design.

1 Claim, 6 Drawing Sheets



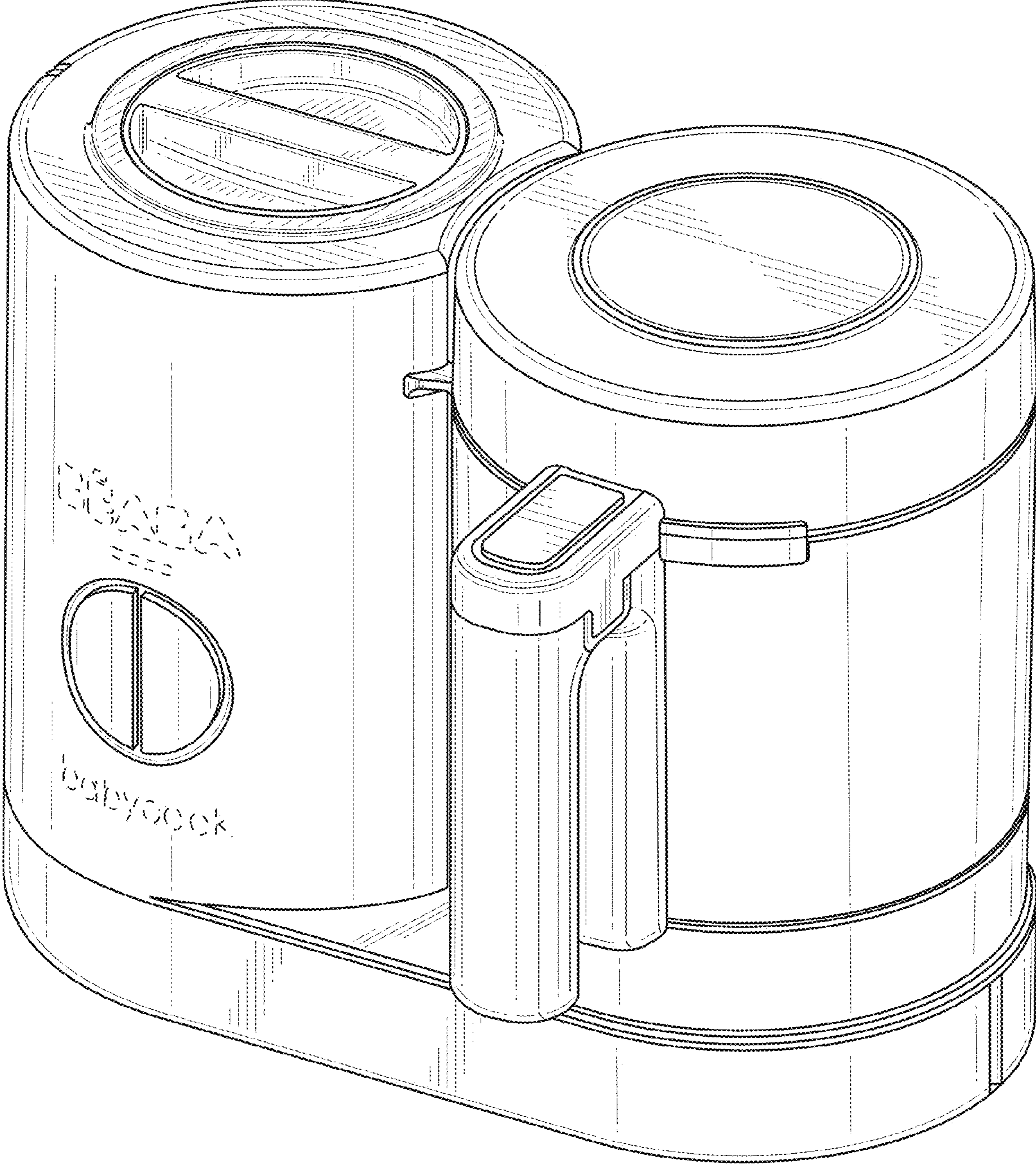


FIG. 1

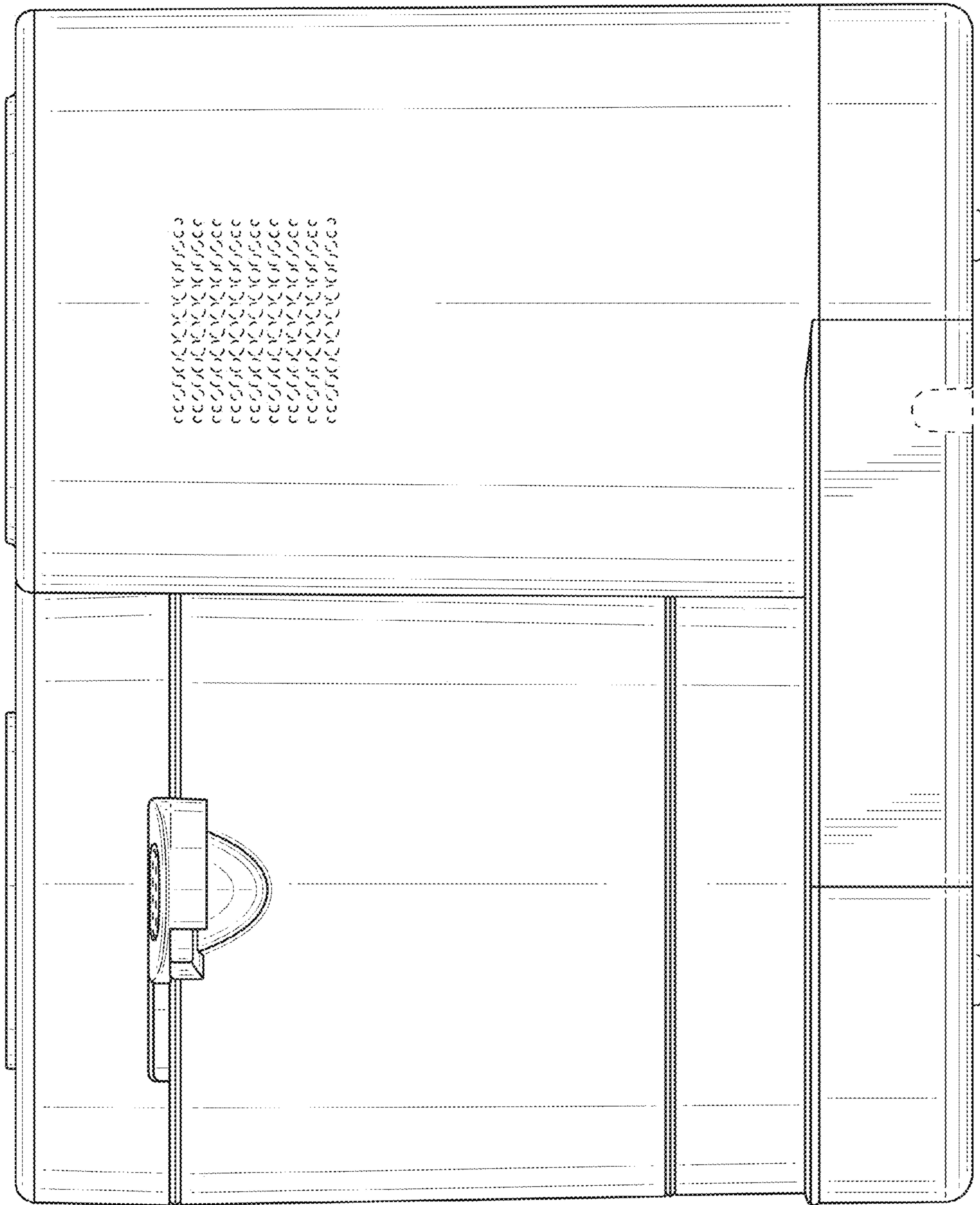


FIG. 2

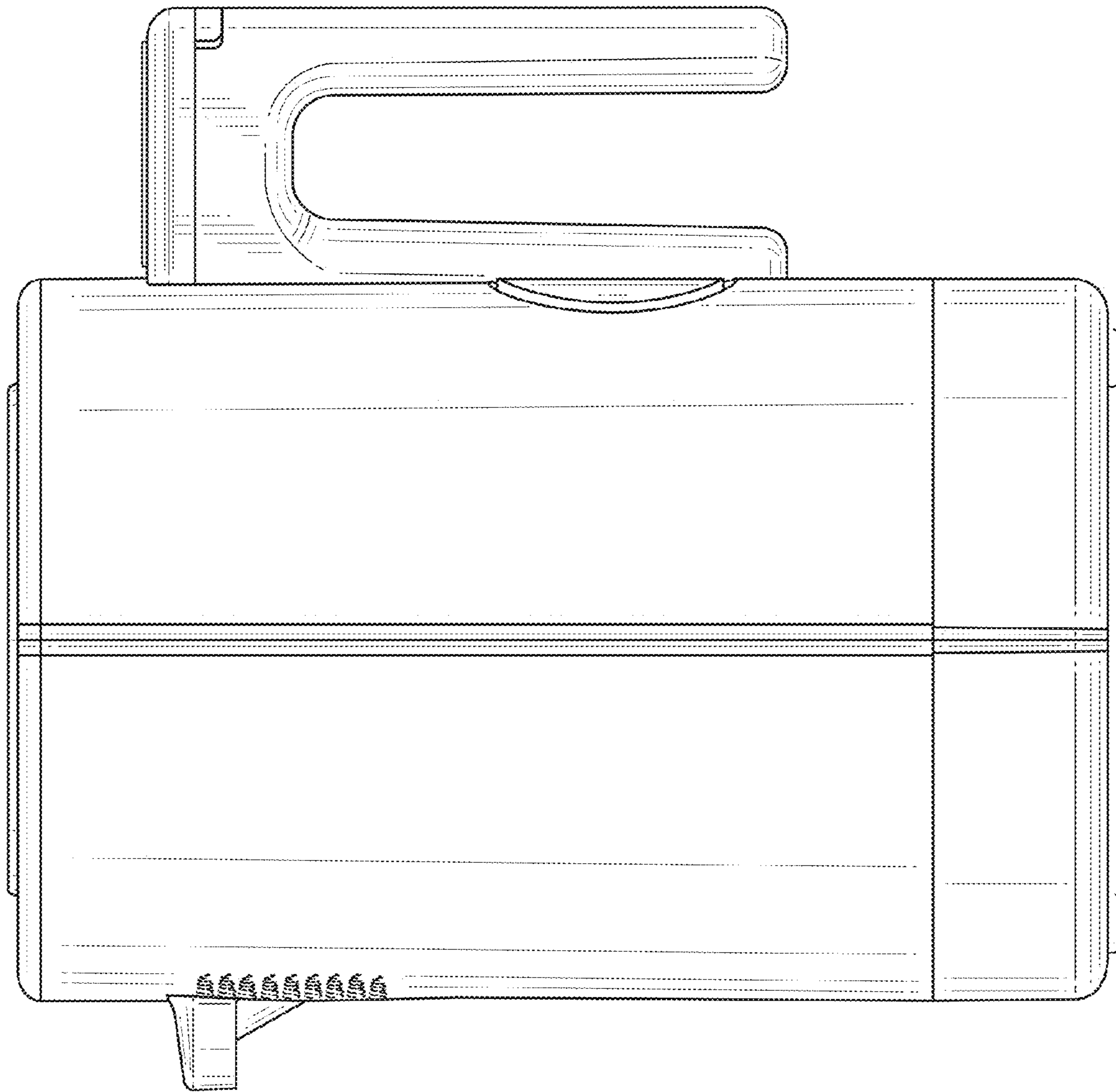


FIG. 3

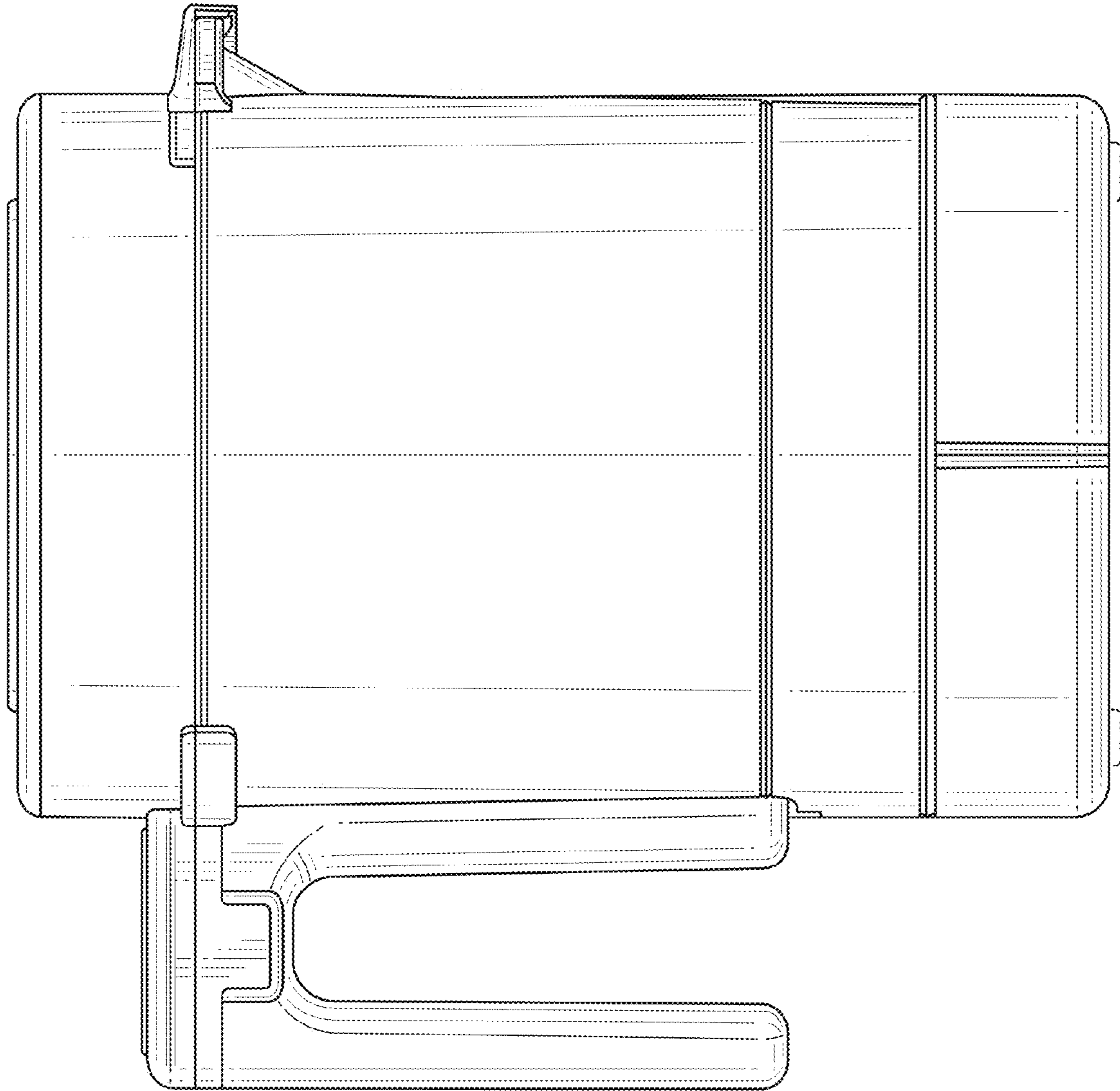


FIG. 4

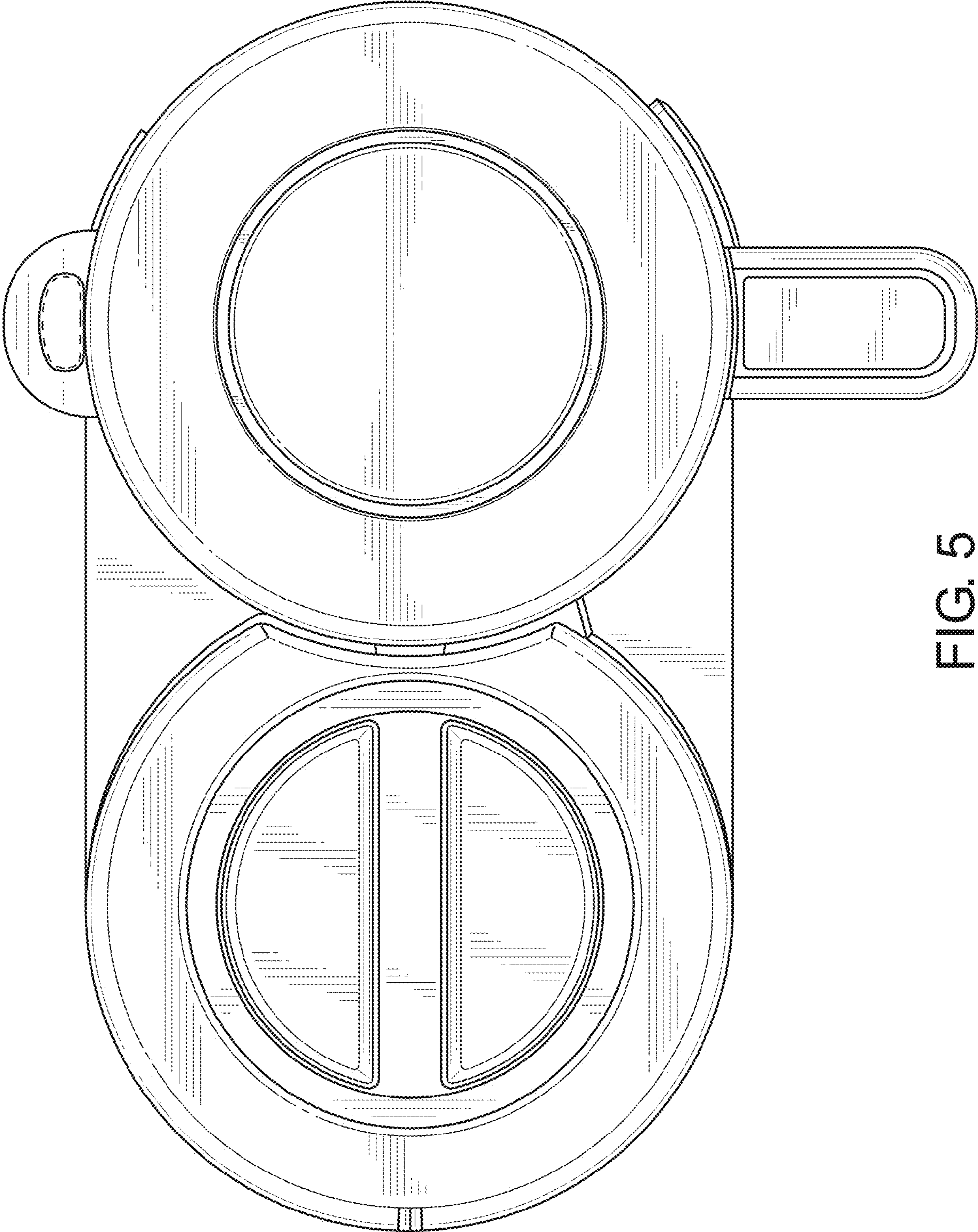


FIG. 5

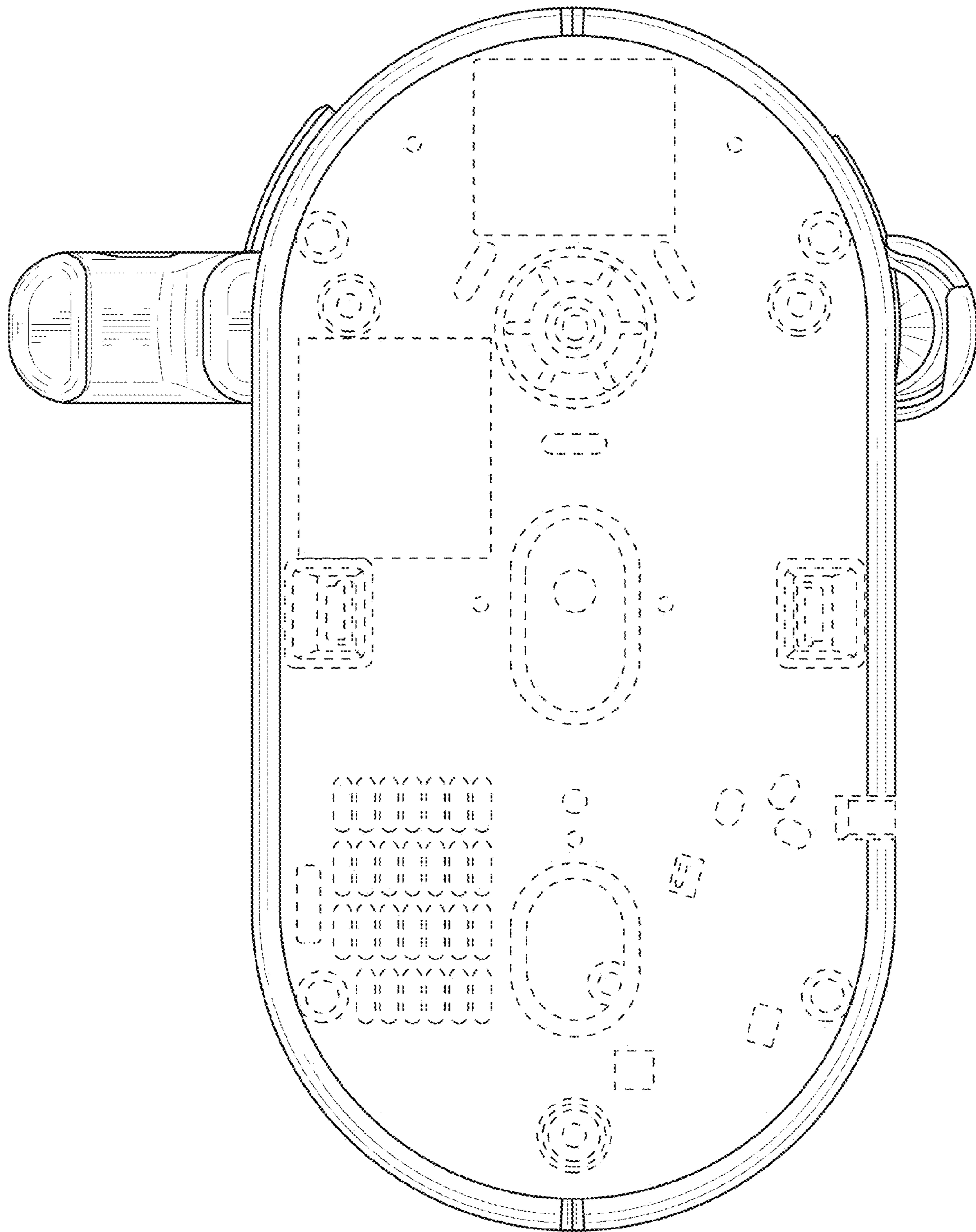


FIG. 6