



US00D894661S

(12) **United States Design Patent** (10) **Patent No.:** **US D894,661 S**
Yin et al. (45) **Date of Patent:** **** Sep. 1, 2020**

(54) **COFFEE MAKER**

(56) **References Cited**

- (71) Applicant: **WHIRLPOOL CORPORATION**,
Benton Harbor, MI (US)
- (72) Inventors: **ZhaoYi Yin**, Benton Harbor, MI (US);
John W. McConnell, St. Joseph, MI
(US); **Ben C. Shao**, Clarendon Hills, IL
(US); **Daniel F. Galea**, St. Joseph, MI
(US); **Dean A. Peppel**, Stevensville, MI
(US)
- (73) Assignee: **Whirlpool Corporation**, Benton
Harbor, MI (US)
- (**) Term: **15 Years**
- (21) Appl. No.: **29/715,526**
- (22) Filed: **Dec. 3, 2019**

U.S. PATENT DOCUMENTS

D300,596 S *	4/1989	Eugster	D7/309
5,251,541 A *	10/1993	Anson	A47J 31/4403 99/280
D350,871 S *	9/1994	Littmann	D7/309
6,586,710 B2 *	7/2003	Williamson	A47J 31/445 219/432
D496,213 S *	9/2004	Midden	D7/309
D502,841 S *	3/2005	Santer	D7/309
D511,066 S *	11/2005	Garner	D7/309
D550,499 S *	9/2007	Argabrite	D7/309
D590,652 S *	4/2009	Cesaroni	D7/309
D644,058 S *	8/2011	Cahen	D7/306

(Continued)

Primary Examiner — Marianne N Pandozzi
(74) *Attorney, Agent, or Firm* — Price Heneveld LLP

Related U.S. Application Data

- (60) Continuation-in-part of application No. 29/708,553, filed on Oct. 8, 2019, which is a division of application No. 29/687,098, filed on Apr. 10, 2019, now Pat. No. Des. 867,047, which is a division of application No. 29/639,760, filed on Mar. 8, 2018, now Pat. No. Des. 849,464, which is a continuation-in-part of application No. 29/618,139, filed on Sep. 19, 2017, now abandoned.
- (51) **LOC (12) Cl.** **07-01**
- (52) **U.S. Cl.**
USPC **D7/310**; D7/309; D7/311; D7/399
- (58) **Field of Classification Search**
USPC D7/300, 306-311, 305, 355, 362, 365,
D7/367, 397, 398, 399; 222/146.6, 185.1,
222/135; 99/295, 273, 304, 288, 279,
99/307, 283, 294, 300
CPC A47J 31/46; A47J 31/407; A47J 31/50;
A47J 31/18; A47J 31/00; A47J 27/04;
A47J 31/0573; A47J 31/057; A47J
31/0642; A47J 31/3628; A47J 31/4407;
A47J 31/445
See application file for complete search history.

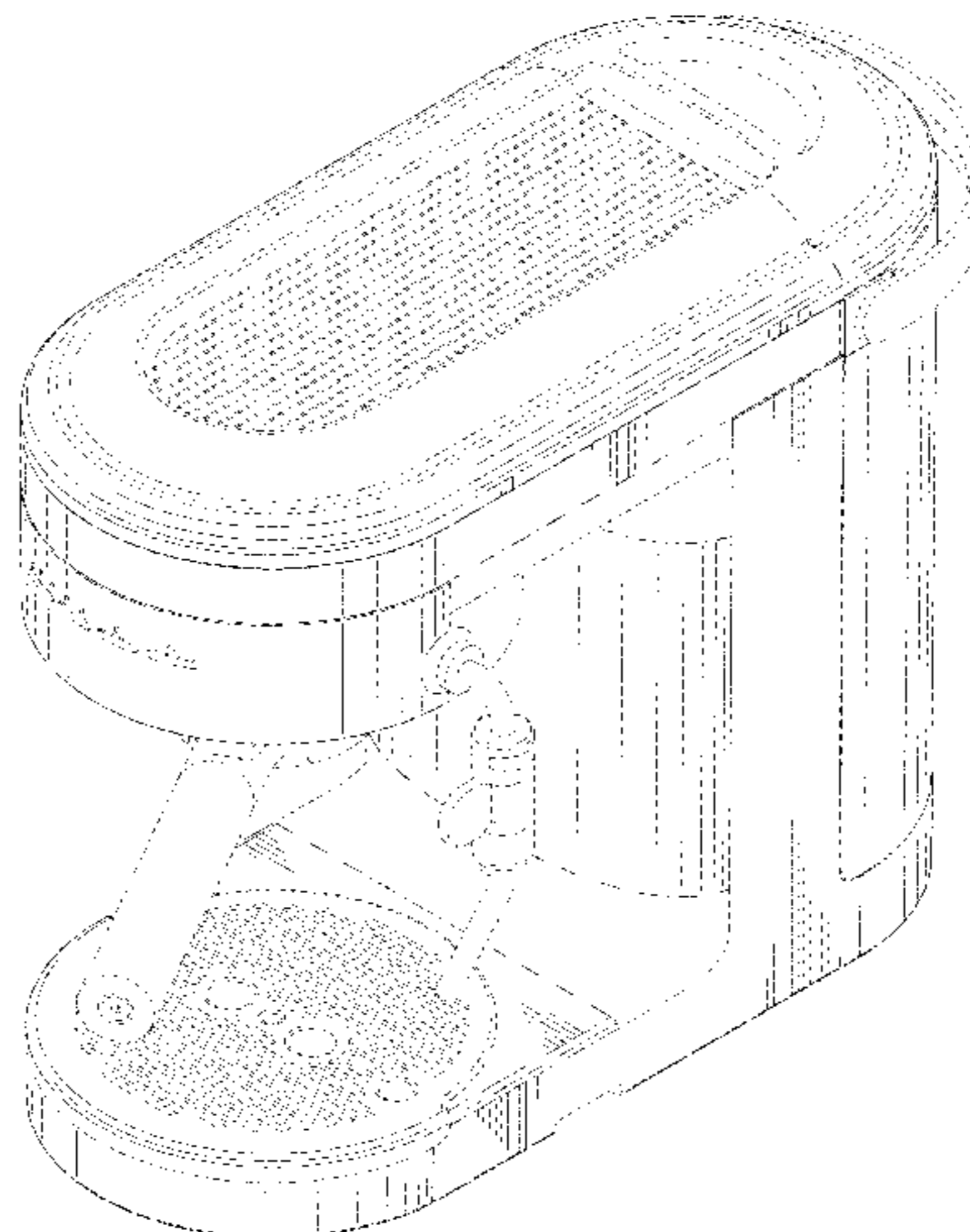
(57) **CLAIM**

The ornamental design for a coffee maker, as shown and described.

DESCRIPTION

FIG. 1 is a perspective view of a coffee maker according to the claimed design;
 FIG. 2 is a front elevation view thereof;
 FIG. 3 is a back elevation view thereof;
 FIG. 4 is a left side elevation view thereof;
 FIG. 5 is a right side elevation view thereof;
 FIG. 6 is a top plan view thereof; and,
 FIG. 7 is a bottom plan view thereof.
 The portions of the article shown in broken line form no part of the claimed design.
 Dash-dot lines adjacent un-shaded areas represent bounds of the claimed design and form no part of the claimed design themselves.

1 Claim, 7 Drawing Sheets



(56)

References Cited

U.S. PATENT DOCUMENTS

D649,392	S	*	11/2011	Cahen	D7/306
D677,510	S	*	3/2013	Tetreault	D7/309
D721,531	S	*	1/2015	Krasne	D7/309
D730,674	S	*	6/2015	De'Longhi	D7/309
D742,680	S	*	11/2015	Burrows	D7/309
D760,009	S	*	6/2016	Moammer	D7/309
D766,653	S	*	9/2016	Rosati	D7/397
D812,952	S		3/2018	Fedorak et al.	
D823,041	S		7/2018	Bazzicalupo et al.	
D838,531	S	*	1/2019	Bodum	D7/309
D845,053	S	*	4/2019	Barquin	D7/309
D849,464	S	*	5/2019	McConnell	D7/310
2014/0013958	A1		1/2014	Krasne et al.	

* cited by examiner

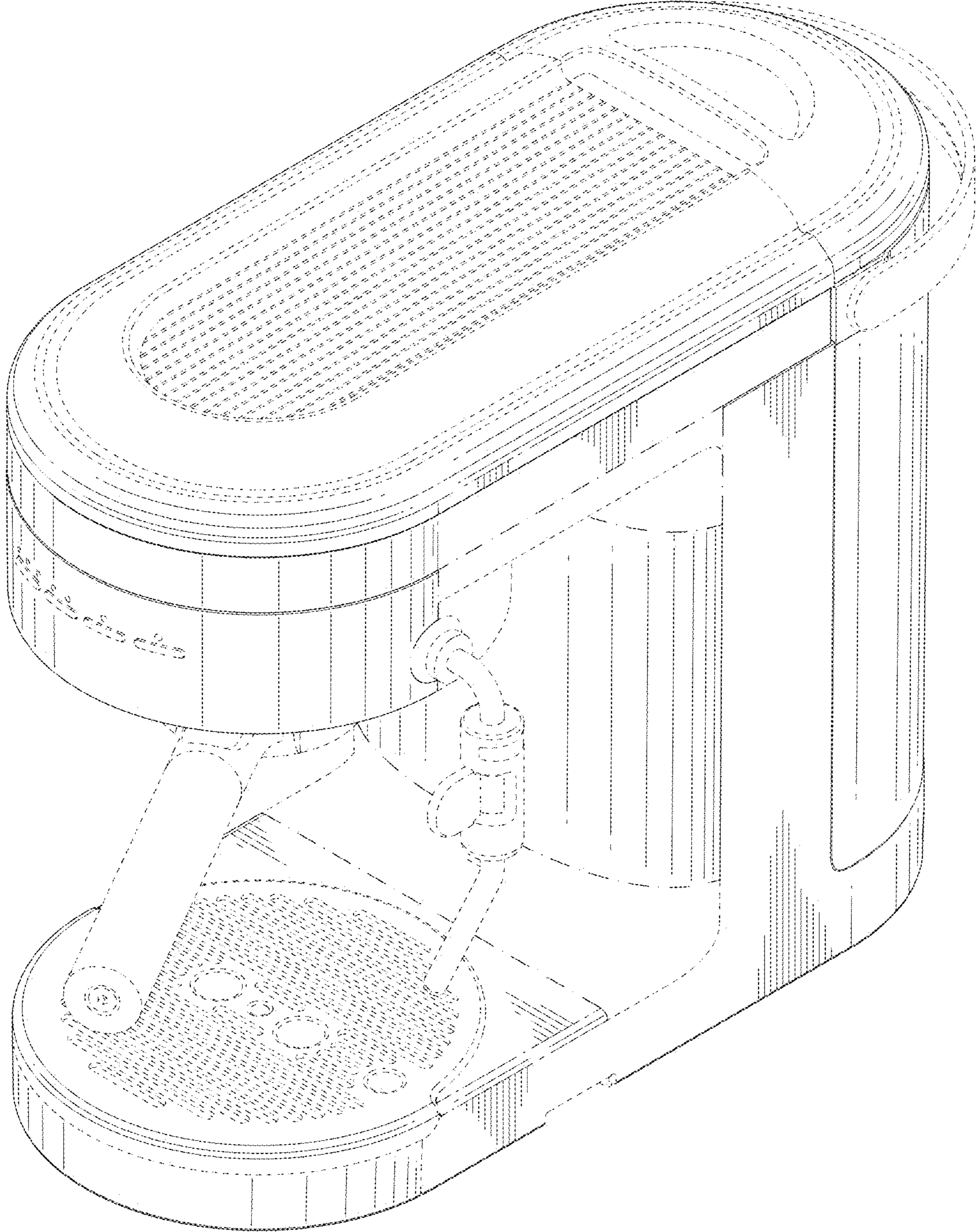


FIG. 1

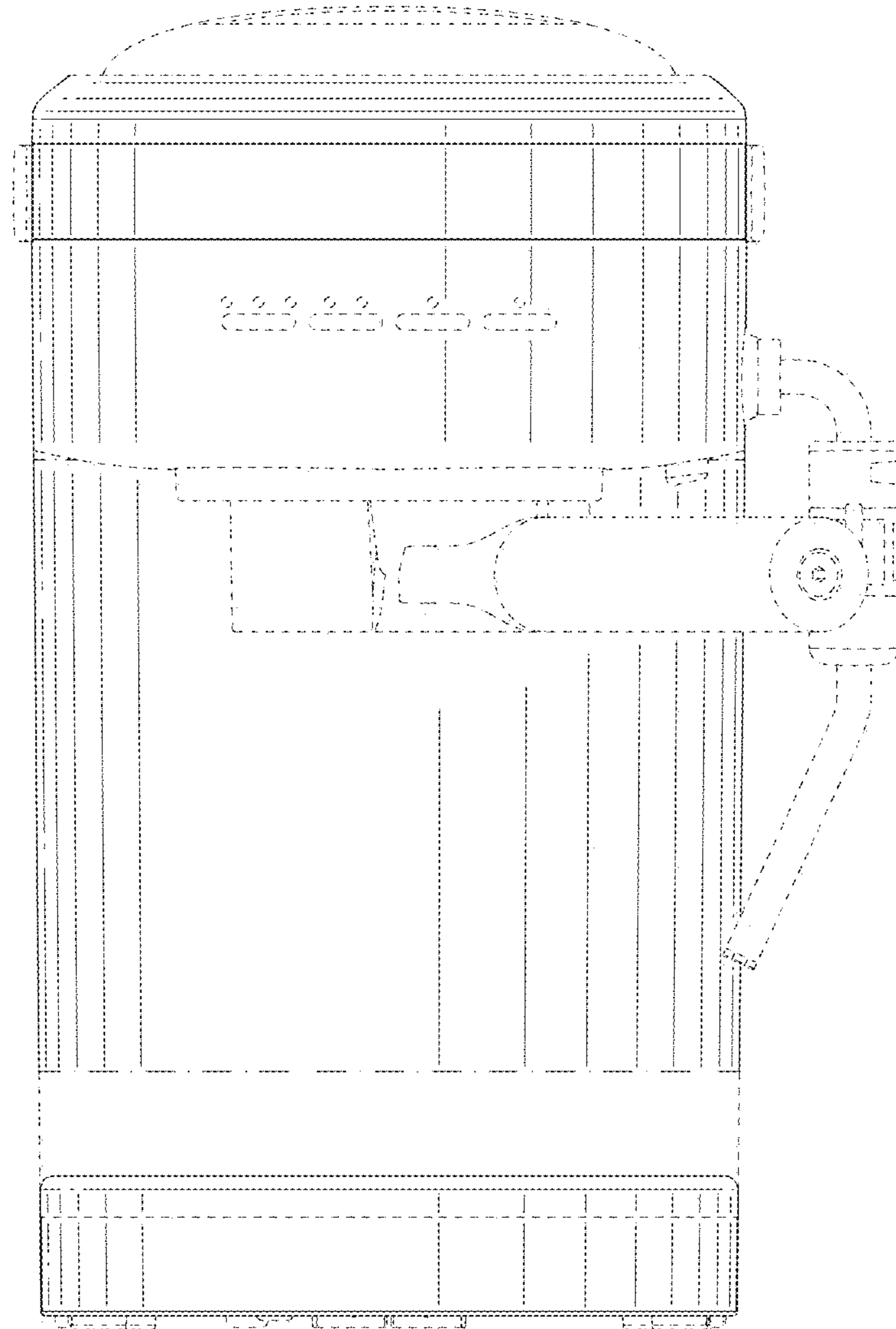


FIG. 2

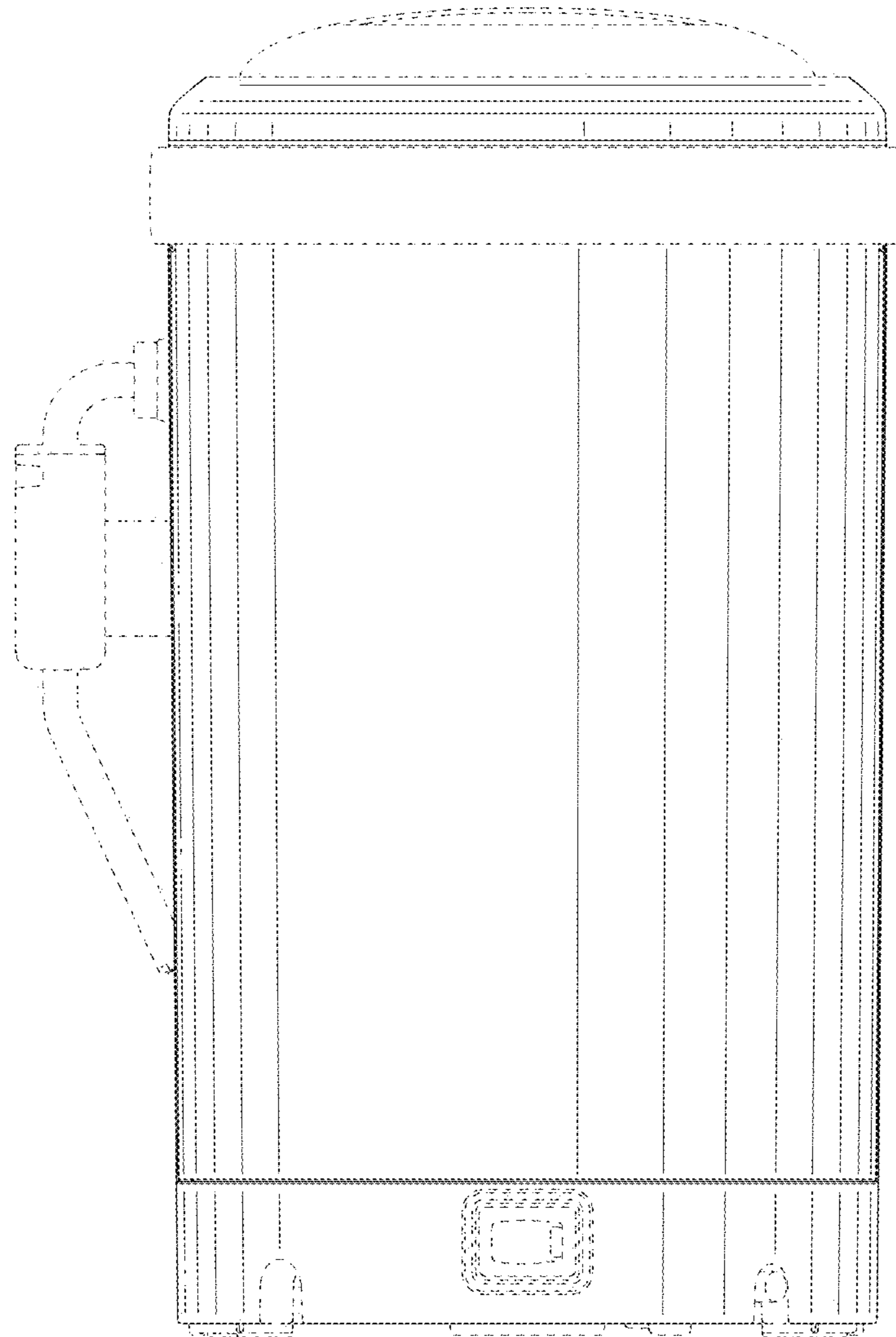


FIG. 3

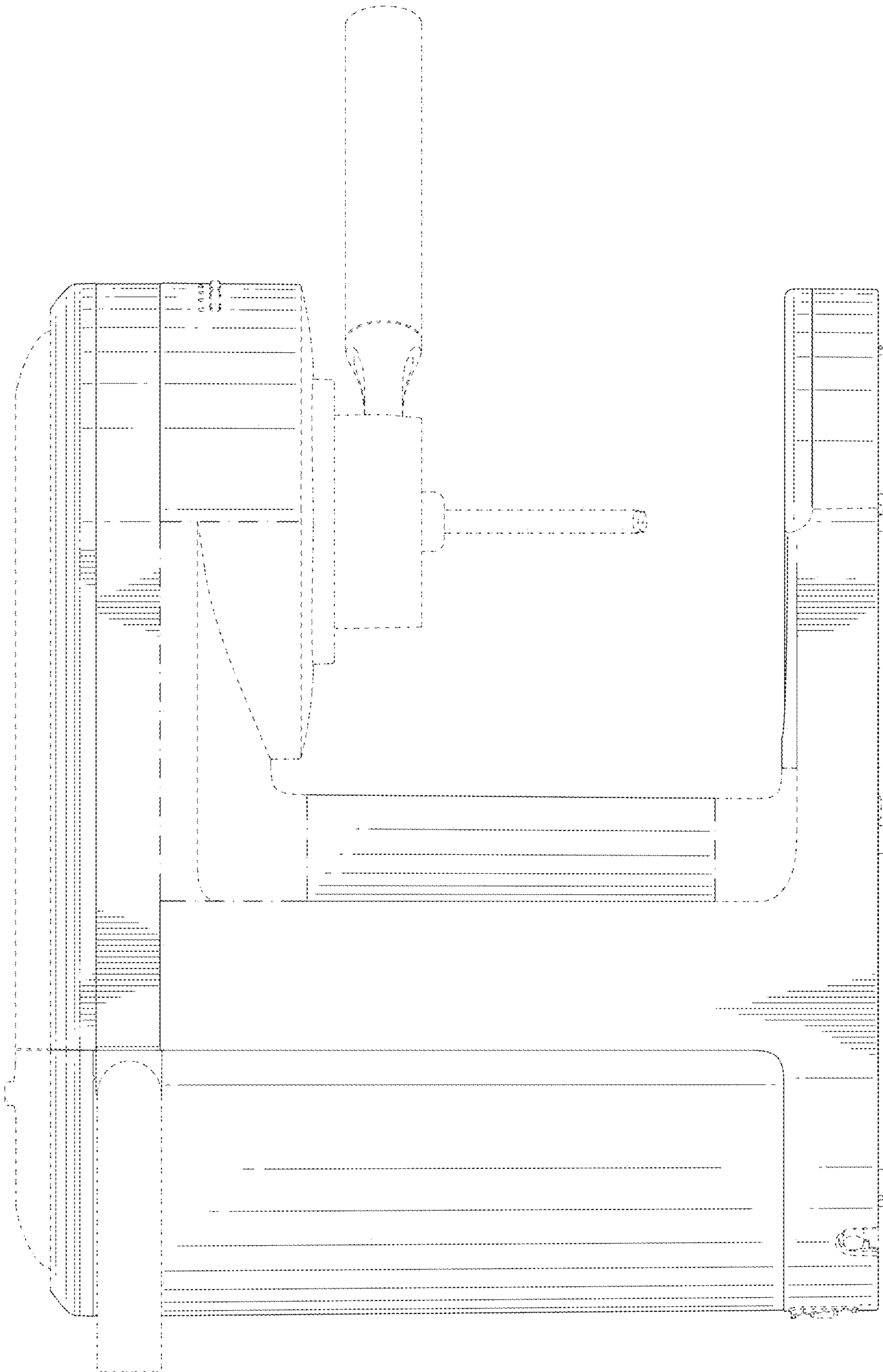


FIG. 4

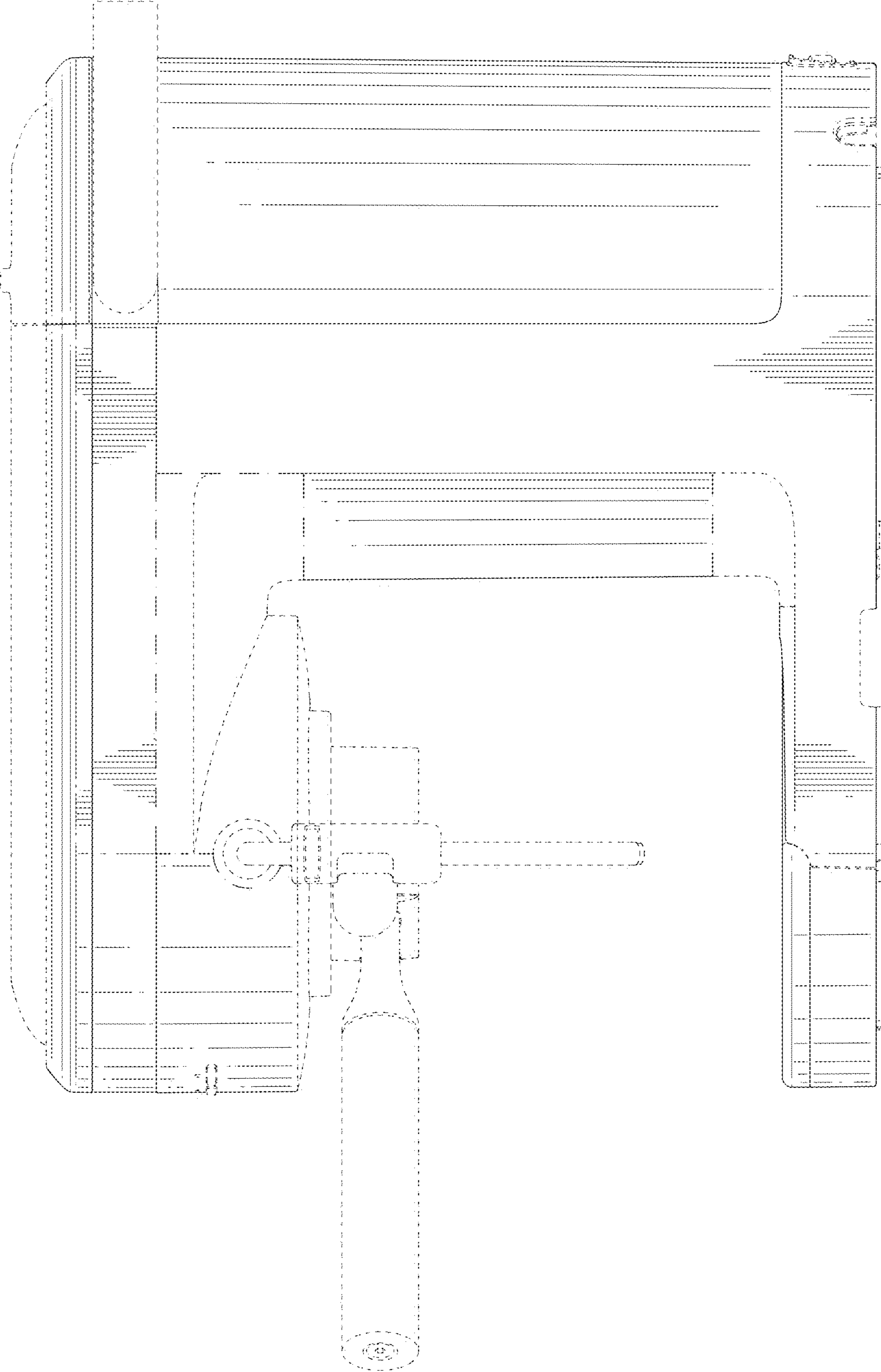


FIG. 5

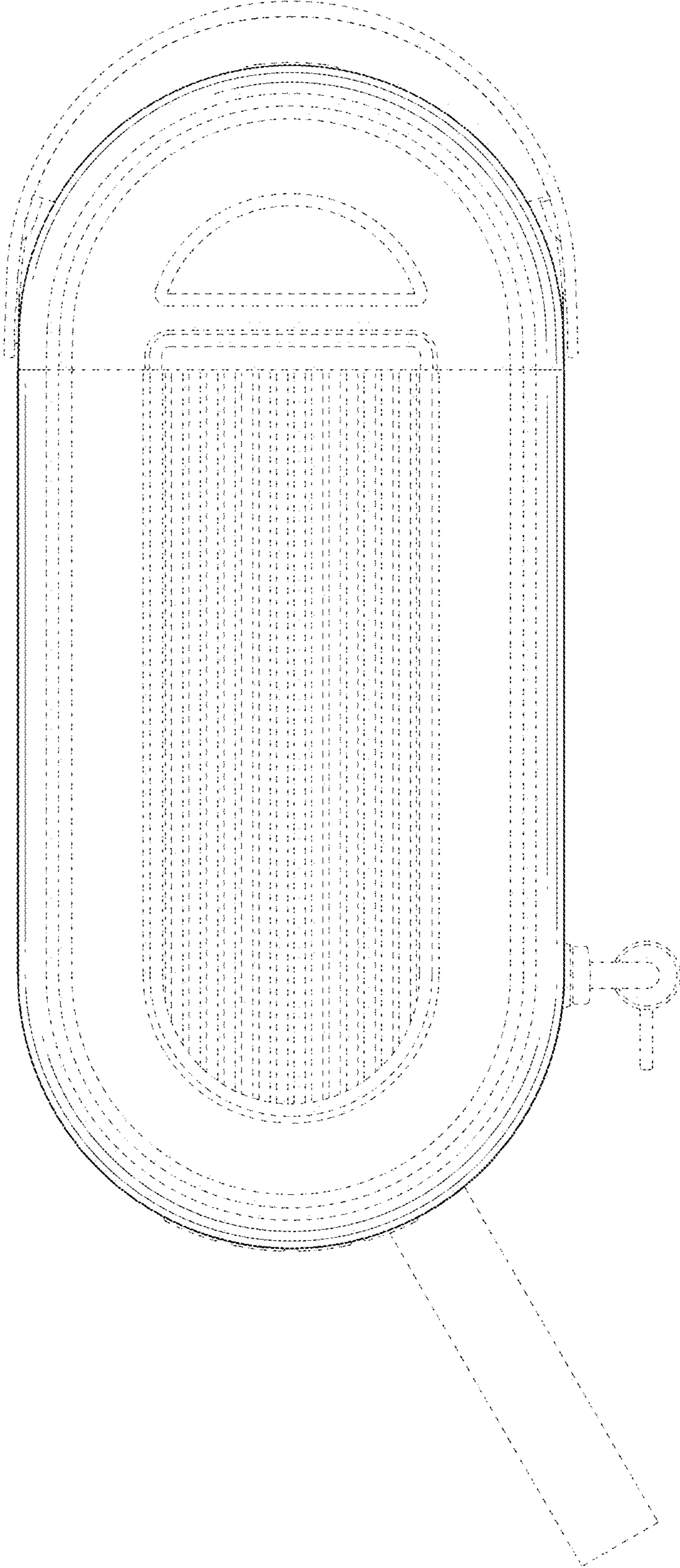


FIG. 6

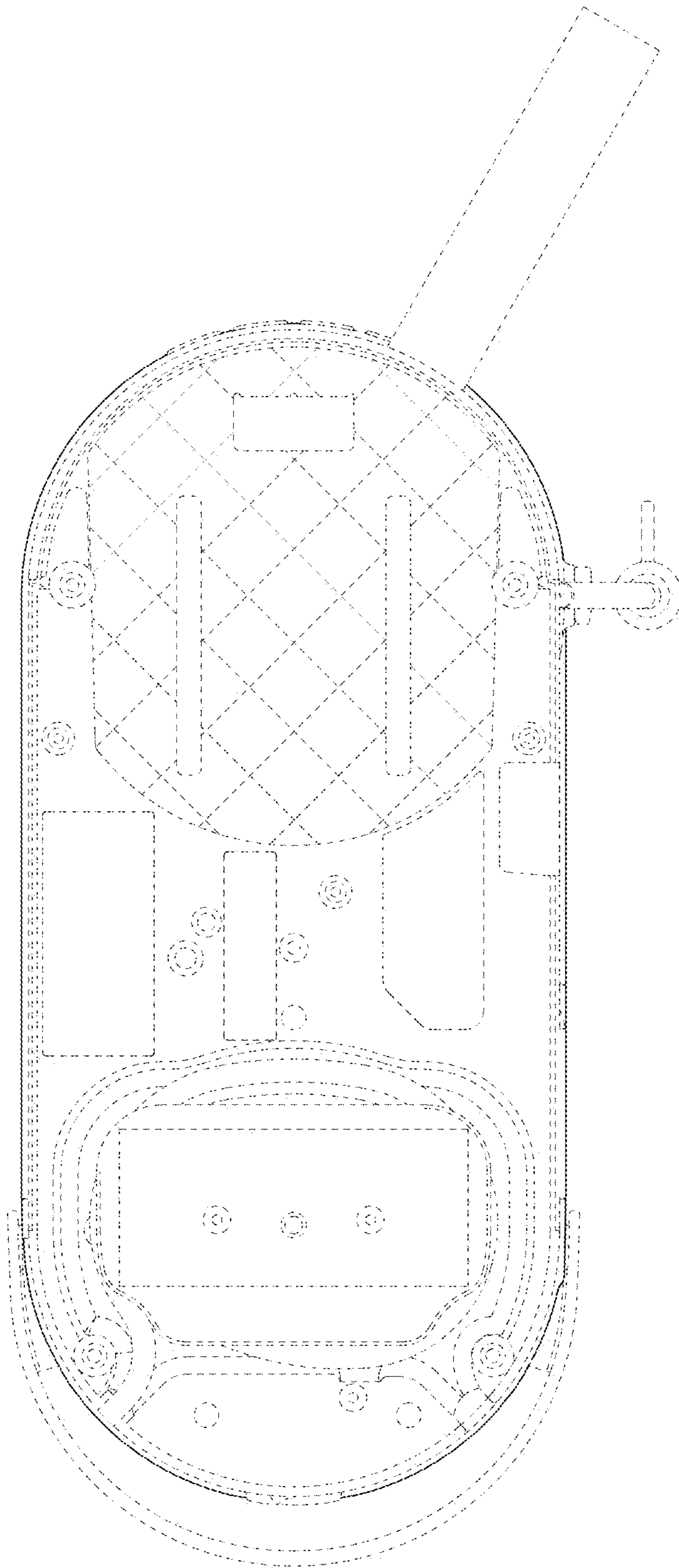


FIG. 7