



US00D894660S

(12) **United States Design Patent** (10) **Patent No.:** **US D894,660 S**
McConnell et al. (45) **Date of Patent:** **** Sep. 1, 2020**

(54) **COFFEE MAKER**

(56) **References Cited**

(71) Applicant: **WHIRLPOOL CORPORATION**,
Benton Harbor, MI (US)
(72) Inventors: **John W. McConnell**, St. Joseph, MI
(US); **Ben C. Shao**, Clarendon Hills, IL
(US); **ZhaoYi Yin**, Benton Harbor, MI
(US)
(73) Assignee: **Whirlpool Corporation**, Benton
Harbor, MI (US)
(**) Term: **15 Years**
(21) Appl. No.: **29/708,553**
(22) Filed: **Oct. 8, 2019**

U.S. PATENT DOCUMENTS

| | | | |
|----------------|---------|------------------|------------------------|
| D300,596 S * | 4/1989 | Eugster | D7/309 |
| 5,251,541 A * | 10/1993 | Anson | A47J 31/4403 99/280 |
| D350,871 S * | 9/1994 | Littmann | D7/309 |
| 6,586,710 B2 * | 7/2003 | Williamson | A47J 31/445 219/432 |
| D496,213 S * | 9/2004 | Midden | D7/309 |
| D502,841 S * | 3/2005 | Santer | D7/309 |
| D511,066 S * | 11/2005 | Garner | D7/309 |
| D550,499 S * | 9/2007 | Argabrite | D7/309 |
| D590,652 S * | 4/2009 | Cesaroni | D7/309 |
| D644,058 S * | 8/2011 | Cahen | D7/306 |
| D649,392 S * | 11/2011 | Cahen | D7/306 |
| D677,510 S * | 3/2013 | Tetreault | D7/309 |
| D721,531 S * | 1/2015 | Krasne | D7/309 |
| D730,674 S * | 6/2015 | De'Longhi | D7/309 |
| D742,680 S * | 11/2015 | Burrows | D7/309 |
| D760,009 S * | 6/2016 | Moammer | D7/309 |
| D766,653 S * | 9/2016 | Rosati | D7/397 |

(Continued)

Related U.S. Application Data

(60) Division of application No. 29/687,098, filed on Apr. 10, 2019, now Pat. No. Des. 867,047, which is a division of application No. 29/639,760, filed on Mar. 8, 2018, now Pat. No. Des. 849,464, which is a continuation-in-part of application No. 29/618,139, filed on Sep. 19, 2017, now abandoned.

Primary Examiner — Marianne N Pandozzi

(74) *Attorney, Agent, or Firm* — Price Heneveld LLP

(51) **LOC (12) Cl.** **07-01**

(52) **U.S. Cl.**

USPC **D7/310; D7/309; D7/311**

(58) **Field of Classification Search**

USPC D7/300, 306–308, 309–311, 305, 355,
D7/362, 365, 367, 397, 398, 399;

222/146.6, 185.1, 135; 99/295, 273, 304,
99/288, 279, 307, 283, 294, 300

CPC A47J 31/46; A47J 31/407; A47J 31/50;
A47J 31/18; A47J 31/00; A47J 27/04;

A47J 31/0573; A47J 31/057; A47J
31/0642; A47J 31/3628; A47J 31/4407;

A47J 31/445

See application file for complete search history.

(57) **CLAIM**

The ornamental design for a coffee maker, as shown and described.

DESCRIPTION

FIG. 1 is a front perspective view of a coffee maker according to our design;

FIG. 2 is a front elevation view thereof;

FIG. 3 is a back elevation view thereof;

FIG. 4 is a left side elevation view thereof;

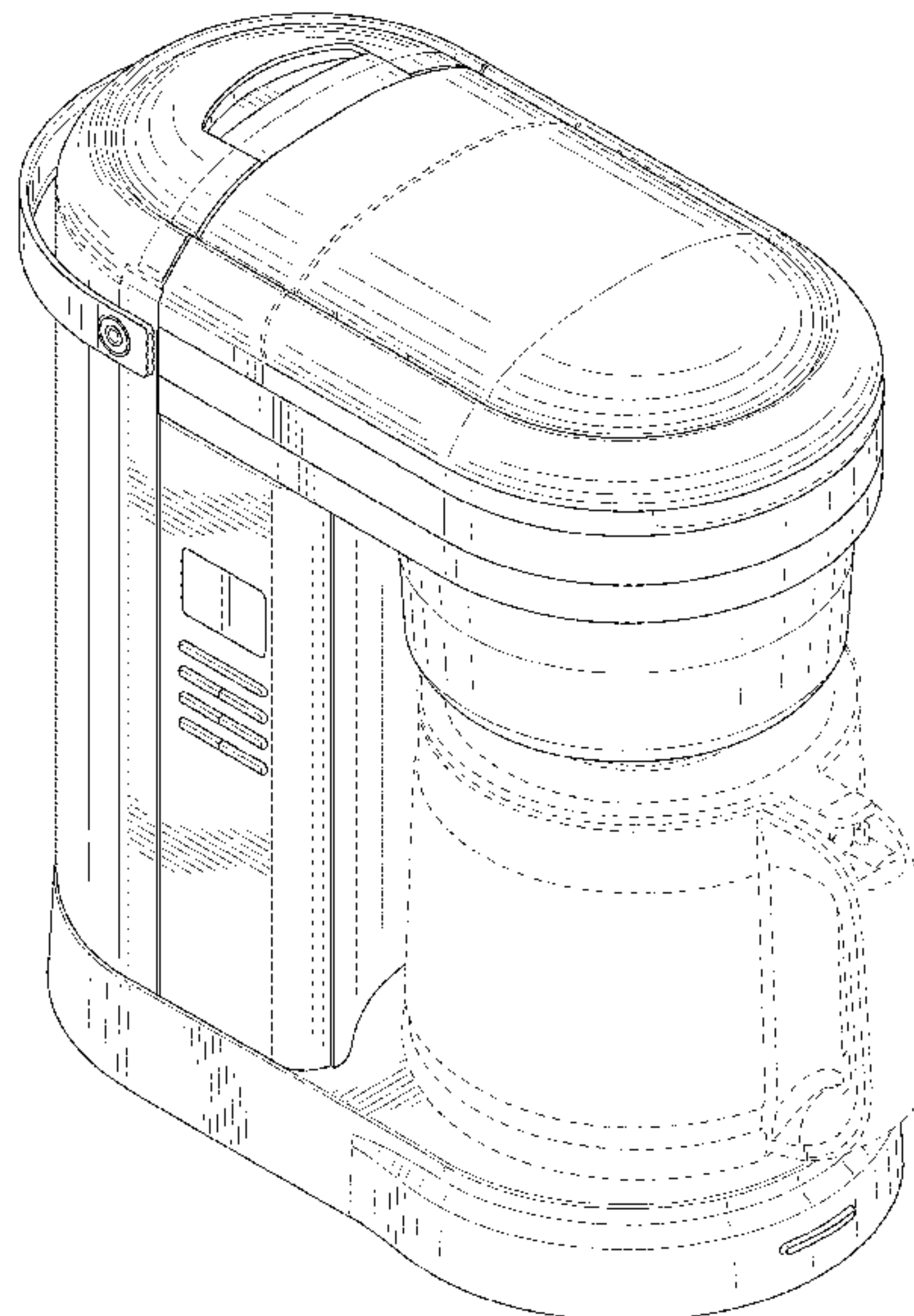
FIG. 5 is a right side elevation view thereof;

FIG. 6 is a top plan view thereof; and,

FIG. 7 is a bottom plan view thereof.

The portions of the article shown in broken line form no part of the claimed design.

1 Claim, 7 Drawing Sheets



(56)

References Cited

U.S. PATENT DOCUMENTS

| | | | |
|-----------------|--------|--------------------|--------|
| D812,952 S | 3/2018 | Fedorak et al. | |
| D823,041 S | 7/2018 | Bazzicalupo et al. | |
| D838,531 S * | 1/2019 | Bodum | D7/309 |
| D845,053 S * | 4/2019 | Barquin | D7/309 |
| D849,464 S * | 5/2019 | McConnell | D7/310 |
| 2014/0013958 A1 | 1/2014 | Krasne et al. | |

* cited by examiner

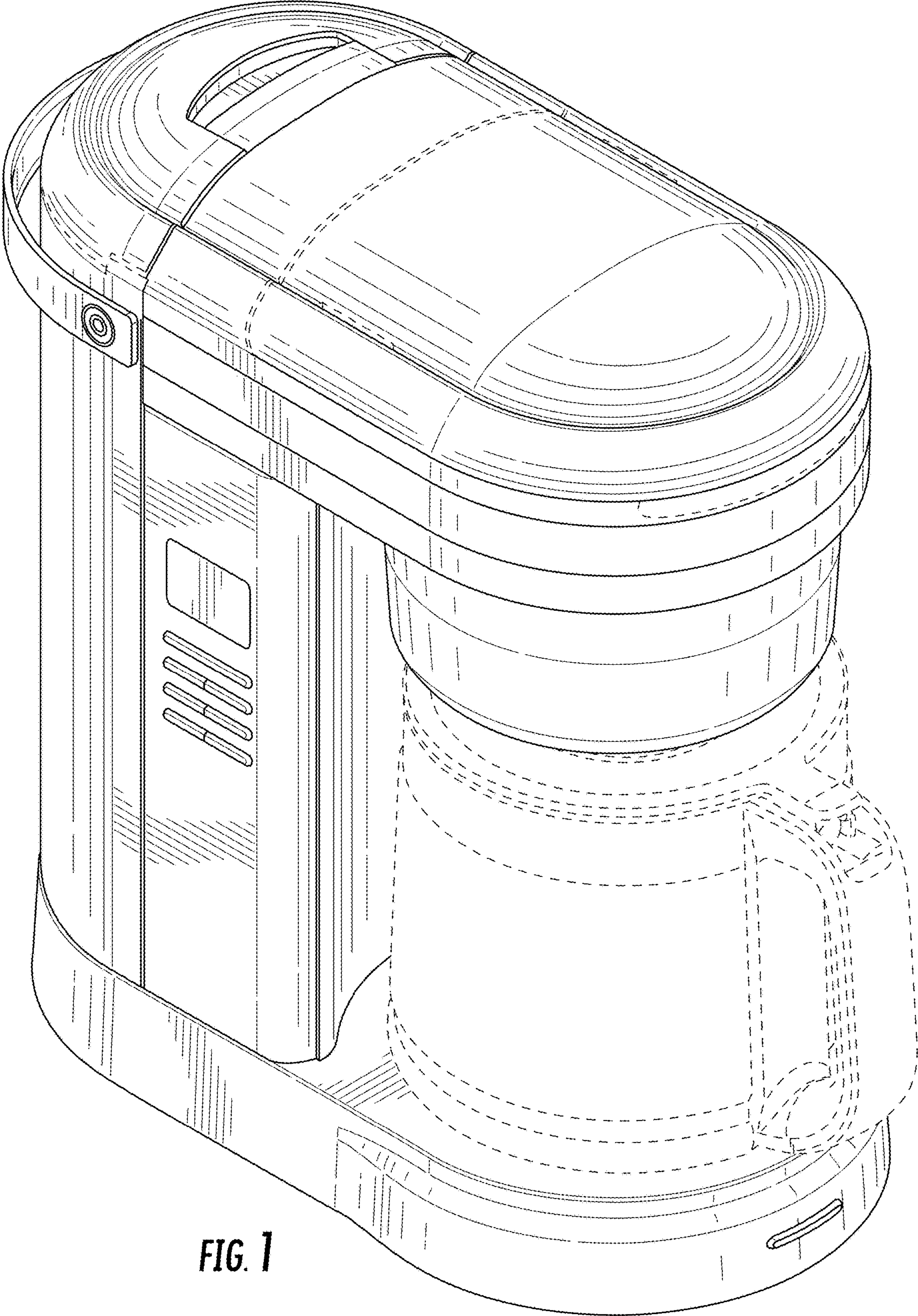


FIG. 1

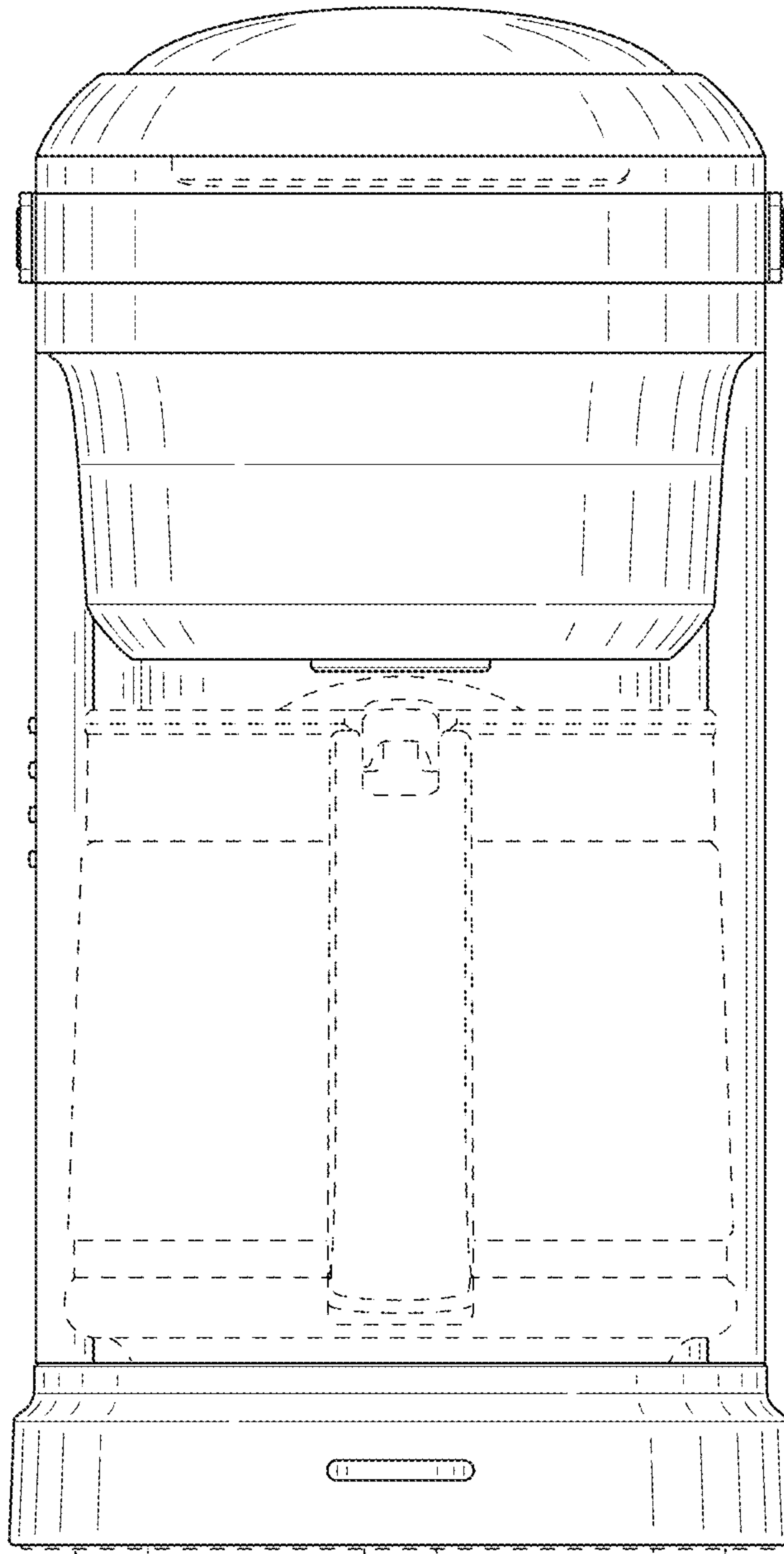


FIG. 2

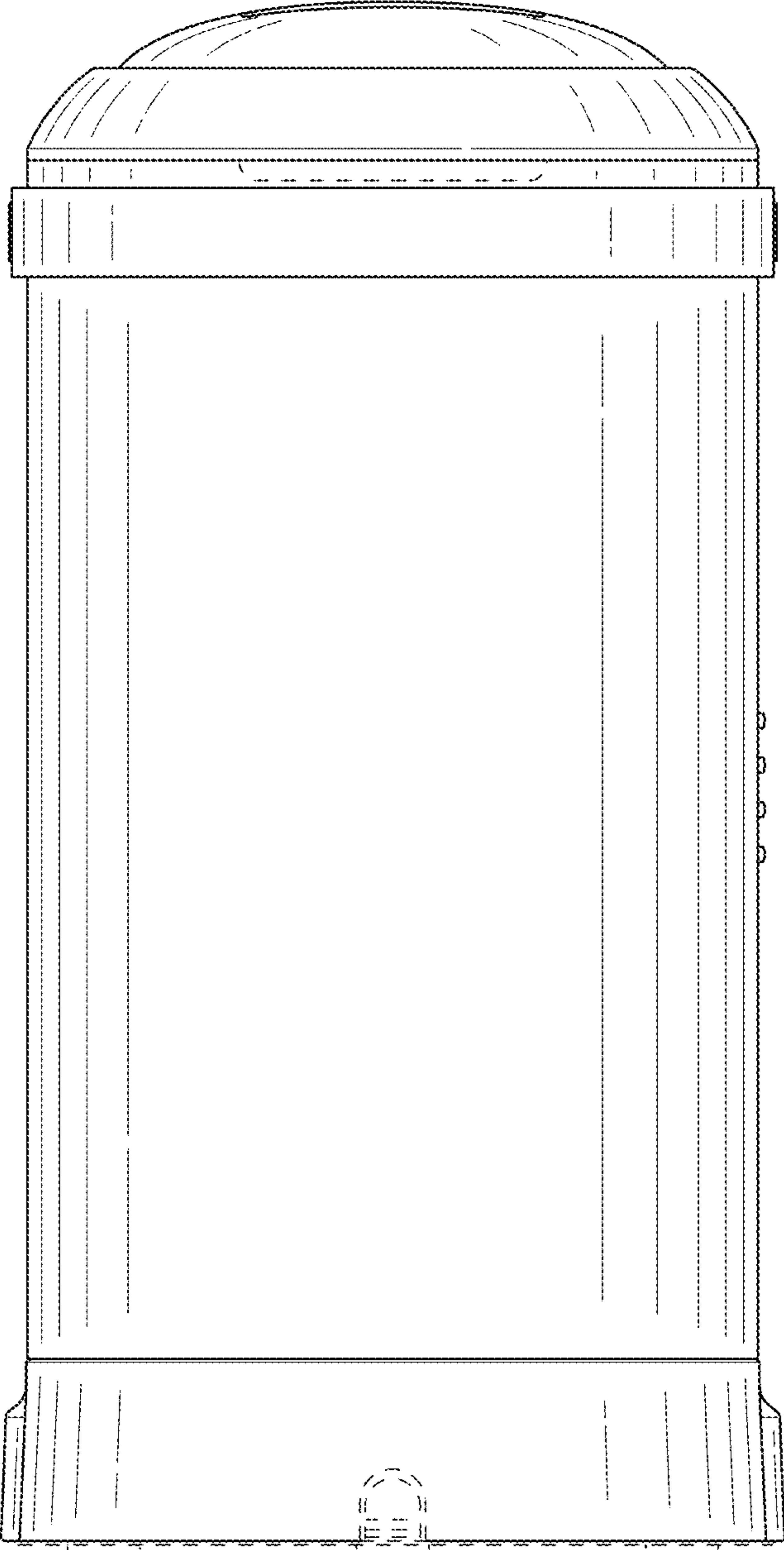


FIG. 3

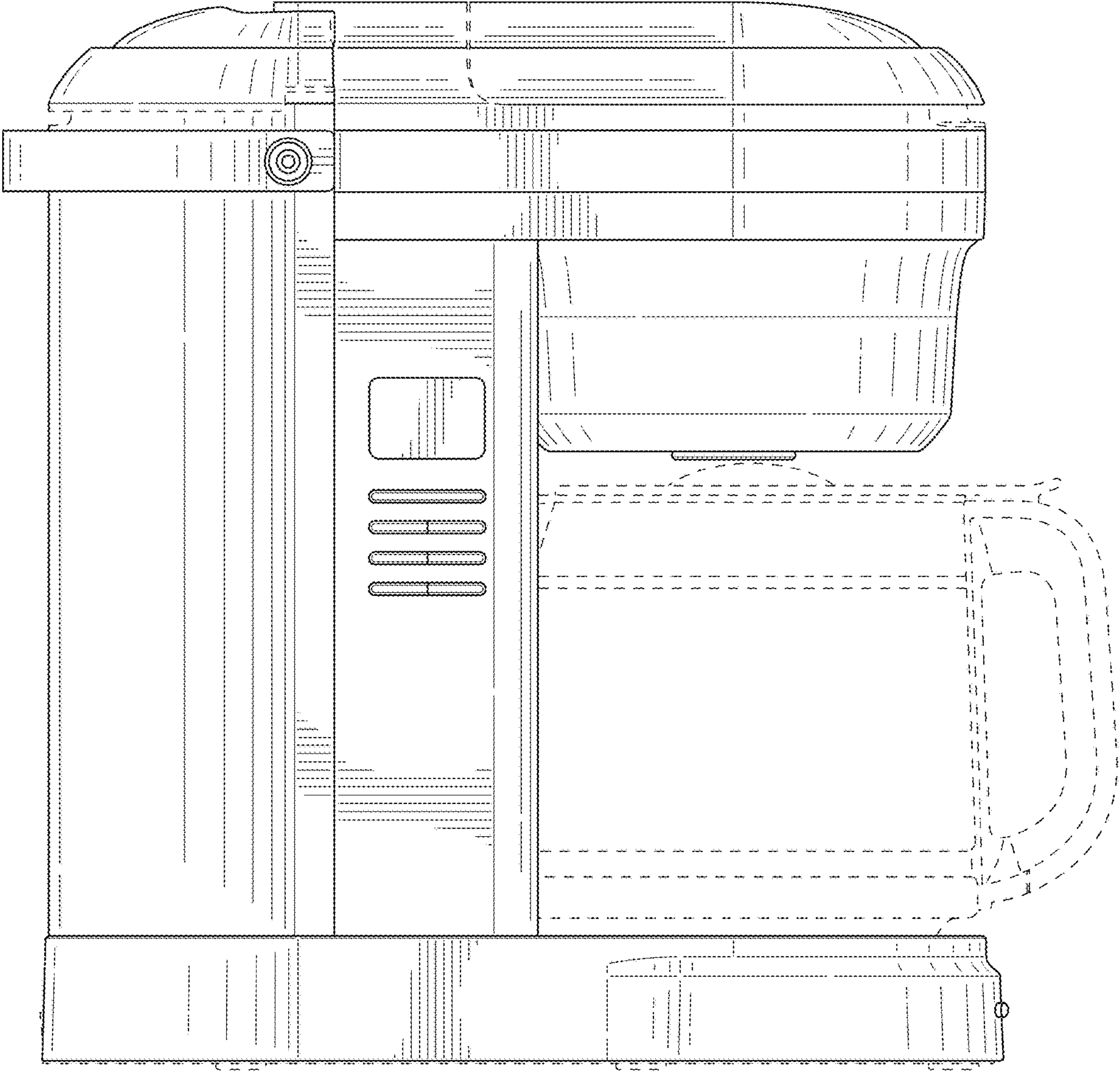


FIG. 4

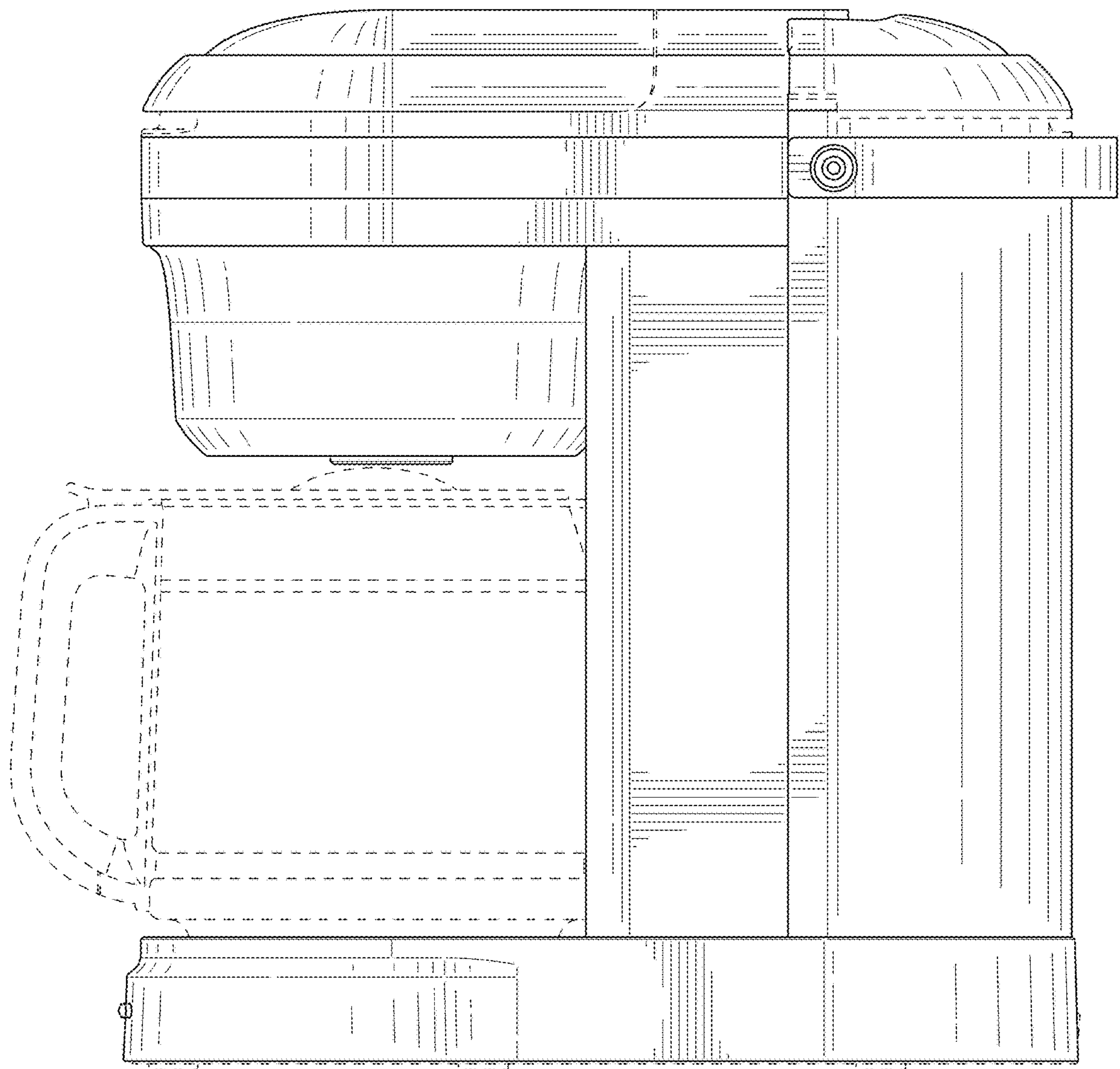


FIG. 5

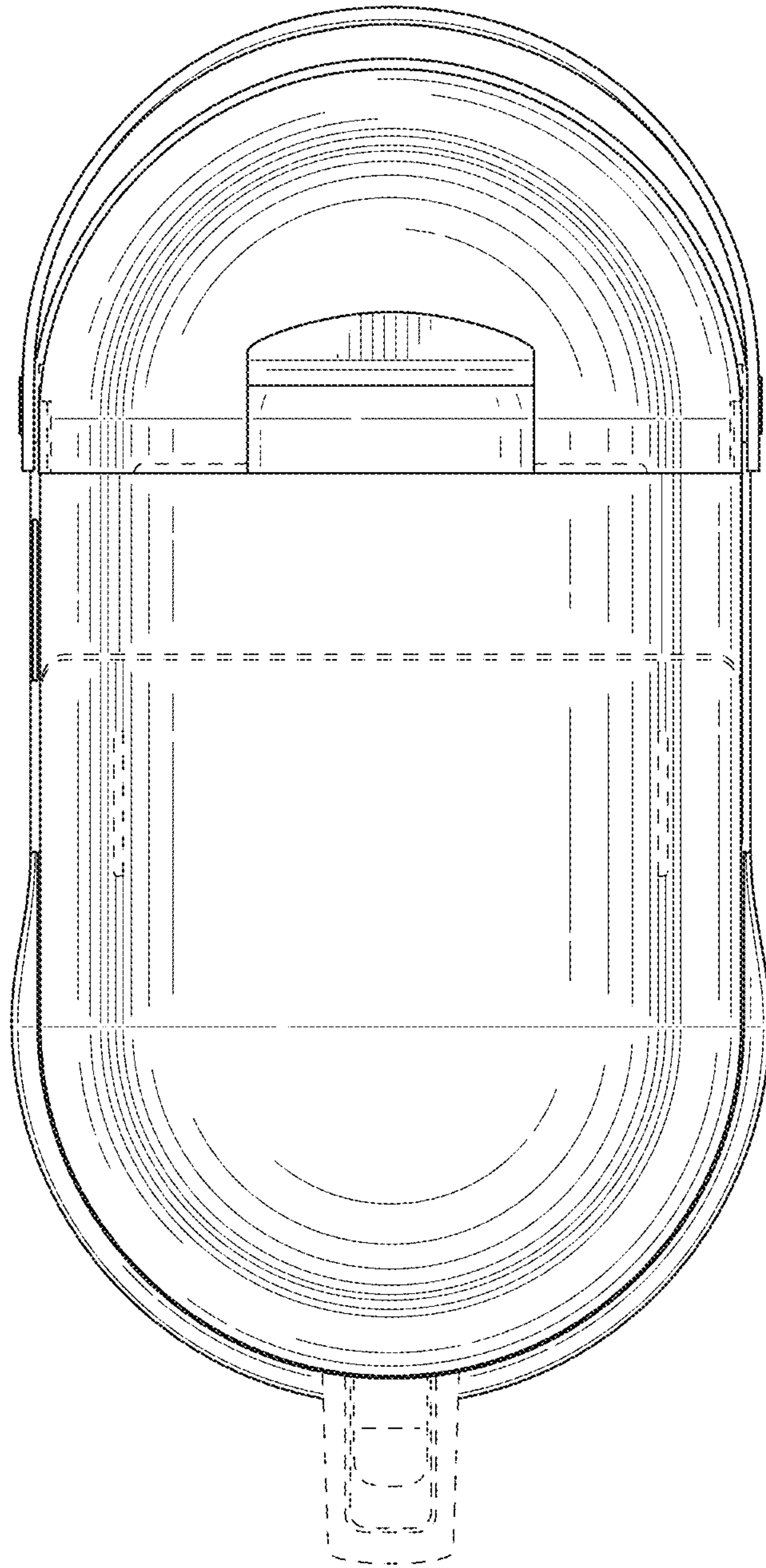


FIG. 6

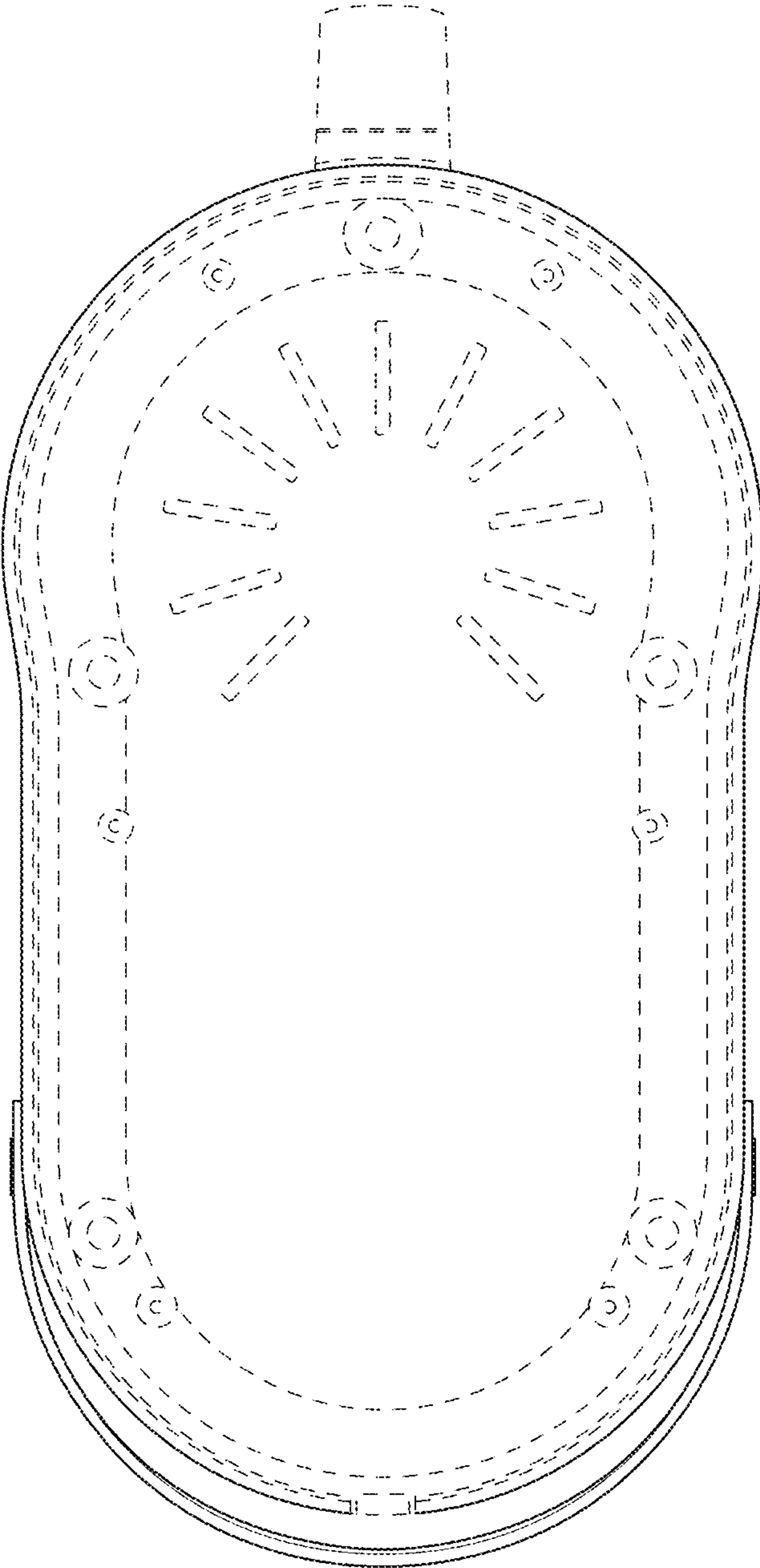


FIG. 7