



US00D894659S

(12) **United States Design Patent** (10) **Patent No.:** **US D894,659 S**
Kestenbaum (45) **Date of Patent:** **** Sep. 1, 2020**

(54) **USER INTERFACE FOR COFFEE MAKER**

OTHER PUBLICATIONS

(71) Applicant: **SHARKNINJA OPERATING LLC**,
Needham, MA (US)

Notice of Allowance; Japanese Application No. 2016-015600; dated
Mar. 31, 2017; 2 Pages.

(Continued)

(72) Inventor: **Daniel Kestenbaum**, Brookline, MA
(US)

Primary Examiner — Marianne N Pandozzi

(74) *Attorney, Agent, or Firm* — Cantor Colburn LLP

(73) Assignee: **SHARKNINJA OPERATING LLC**,
Needham, MA (US)

(57) **CLAIM**

The ornamental design for a user interface for coffee maker,
as shown and described.

(**) Term: **15 Years**

DESCRIPTION

(21) Appl. No.: **29/724,341**

(22) Filed: **Feb. 14, 2020**

Related U.S. Application Data

(62) Division of application No. 29/633,795, filed on Jan.
16, 2018, now Pat. No. Des. 878,132, which is a
(Continued)

(51) **LOC (12) Cl.** **07-01**

(52) **U.S. Cl.**

USPC **D7/309**; D7/311; D7/399

(58) **Field of Classification Search**

USPC D7/306–311, 305, 300, 313, 399, 397,
D7/406; 99/279, 284, 290, 280, 299,
(Continued)

(56) **References Cited**

U.S. PATENT DOCUMENTS

D240,386 S * 7/1976 Stuetzer D7/309
4,517,428 A 5/1985 Matsushima

(Continued)

FIG. 1 is a perspective view of a user interface for coffee
maker showing our new design;

FIG. 2 is a front view of the embodiment shown in FIG. 1;

FIG. 3 is a rear view of the embodiment shown in FIG. 1;

FIG. 4 is a side view of the embodiment shown in FIG. 1;

FIG. 5 is another side view of the embodiment shown in

FIG. 1;

FIG. 6 is a top view of the embodiment shown in FIG. 1;

FIG. 7 is a bottom view of the embodiment shown in FIG.

1;

FIG. 8 is a perspective view of a user interface for coffee

maker showing a second embodiment of our new design;

FIG. 9 is a front view of the embodiment shown in FIG. 8;

FIG. 10 is a rear view of the embodiment shown in FIG. 8;

FIG. 11 is a side view of the embodiment shown in FIG. 8;

FIG. 12 is another side view of the embodiment shown in

FIG. 8;

FIG. 13 is a top view of the embodiment shown in FIG. 8;

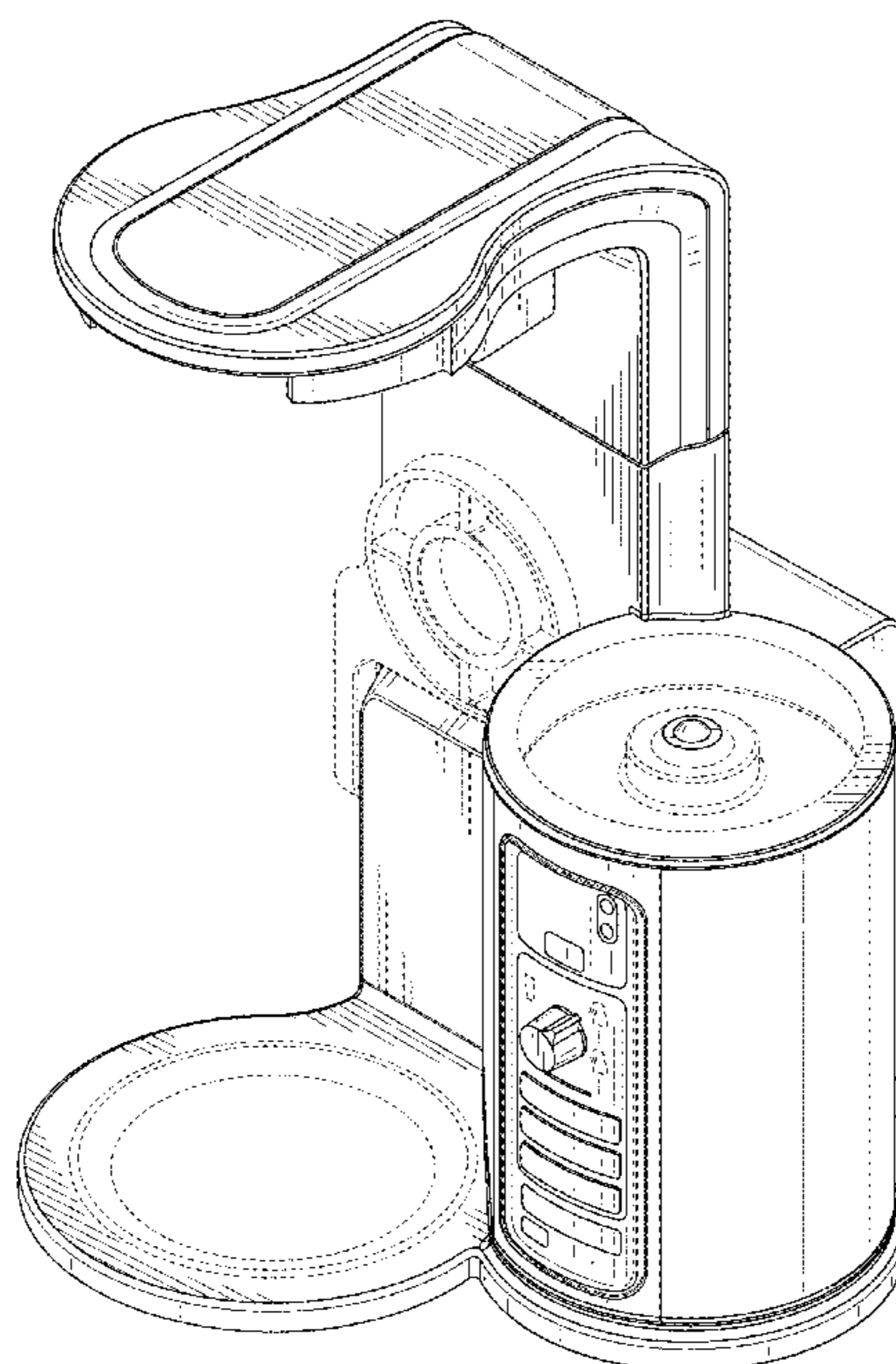
and,

FIG. 14 is a bottom view of the embodiment shown in FIG.

8.

The broken lines in the figures are for environmental pur-
poses only and form no part of the claimed design.

1 Claim, 14 Drawing Sheets



Related U.S. Application Data

division of application No. 29/552,494, filed on Jan. 22, 2016, now Pat. No. Des. 811,163.

(58) **Field of Classification Search**

USPC 99/307, 323.1; 222/23, 129.1; 62/395; D20/1

CPC A47J 31/44; A47J 31/00; B67D 1/0041; B67D 3/00; G09F 11/06

See application file for complete search history.

(56) **References Cited**

U.S. PATENT DOCUMENTS

4,721,034	A *	1/1988	Shimomura	A47J 31/047
				99/280
D295,252	S	4/1988	Mierzwinski	
D307,754	S *	5/1990	Osrow	D15/82
D379,049	S *	5/1997	Amiel	D7/305
D409,875	S *	5/1999	Alonge	D7/309
D414,647	S *	10/1999	Driscoll	D7/309
D496,553	S *	9/2004	Bodum	D7/309
D500,762	S	1/2005	Chen et al.	
D514,371	S *	2/2006	Yang	D7/306
D552,402	S *	10/2007	Schwamkrug	D7/309
D560,950	S *	2/2008	Schwamkrug	D7/309
D568,681	S	5/2008	Hillmann et al.	
D585,229	S *	1/2009	de Visser	D7/309
D596,442	S *	7/2009	Cahen	D7/309
D613,994	S	4/2010	Murphy et al.	
D627,188	S *	11/2010	Picozza	D7/306
D703,989	S *	5/2014	Garman	D7/305
D712,188	S *	9/2014	Averty	D7/309
D714,088	S *	9/2014	Cahen	D7/309
D718,563	S *	12/2014	Demam	D7/305
D718,972	S *	12/2014	Jorgensen	D7/309
D728,988	S *	5/2015	Warburton	D7/306

D736,025	S *	8/2015	Kestenbaum	D7/309
D745,307	S *	12/2015	Kestenbaum	D7/309
D761,053	S	7/2016	Rosati et al.	
D762,412	S *	8/2016	Kestenbaum	D7/392
D765,455	S *	9/2016	de Gooijer	D7/309
D773,877	S *	12/2016	Lee	D7/309
D773,878	S *	12/2016	Lee	D7/309
D783,347	S *	4/2017	Kestenbaum	D7/397

OTHER PUBLICATIONS

Notice of Allowance; U.S. Appl. No. 29/552,494, filed Jan. 22, 2016; User Interface for Coffee Maker; Notification dated Oct. 16, 2017; 10 Pages.

Notice of Allowance; U.S. Appl. No. 29/633,795, filed Jan. 16, 2018; User Interface for Coffee Maker; Notification dated Nov. 14, 2019; 5 Pages.

Notice of Completion of Formalities for Patent Register and Notice of Grant of Design Patent Right; Chinese Application No. 2016303413612; Date of Mailing: Oct. 10, 2016; 5 Pages.

Notice of Decision for Design Registration; Korean Application No. 30-2016-0035874; Date of Mailing: Apr. 3, 2017; 6 Pages.

Notice of Preliminary Rejection; Korean Application No. 30-2016-0035874; dated Dec. 7, 2016; 3 Pages.

Notice of References; Japanese Application No. 2016-015600; Date of Mailing: Mar. 31, 2017; 3 Pages.

Notice to File Corrected Application Papers; U.S. Appl. No. 29/552,494, filed Jan. 22, 2016; User Interface for Coffee Maker; Notification Date: Oct. 23, 2017; 3 Pages.

Requirement for Restriction/Election; U.S. Appl. No. 29/552,494, filed Jan. 22, 2016; User Interface for Coffee Maker; Notification dated Jul. 19, 2017; 9 Pages.

Requirement for Restriction/Election; U.S. Appl. No. 29/633,795, filed Jan. 16, 2018; User Interface for Coffee Maker; Notification dated Jul. 17, 2019; 15 Pages.

* cited by examiner

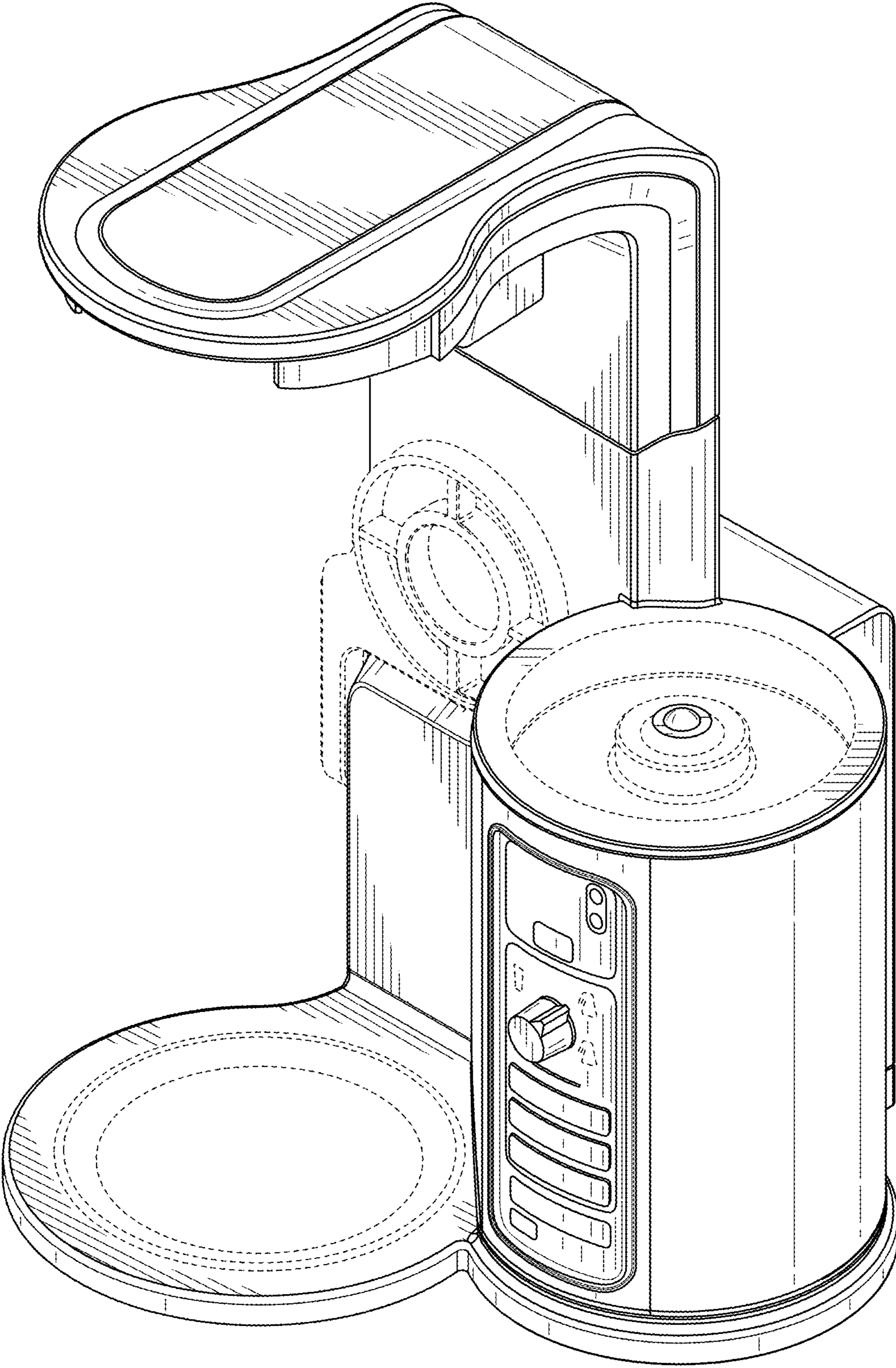


FIG. 1

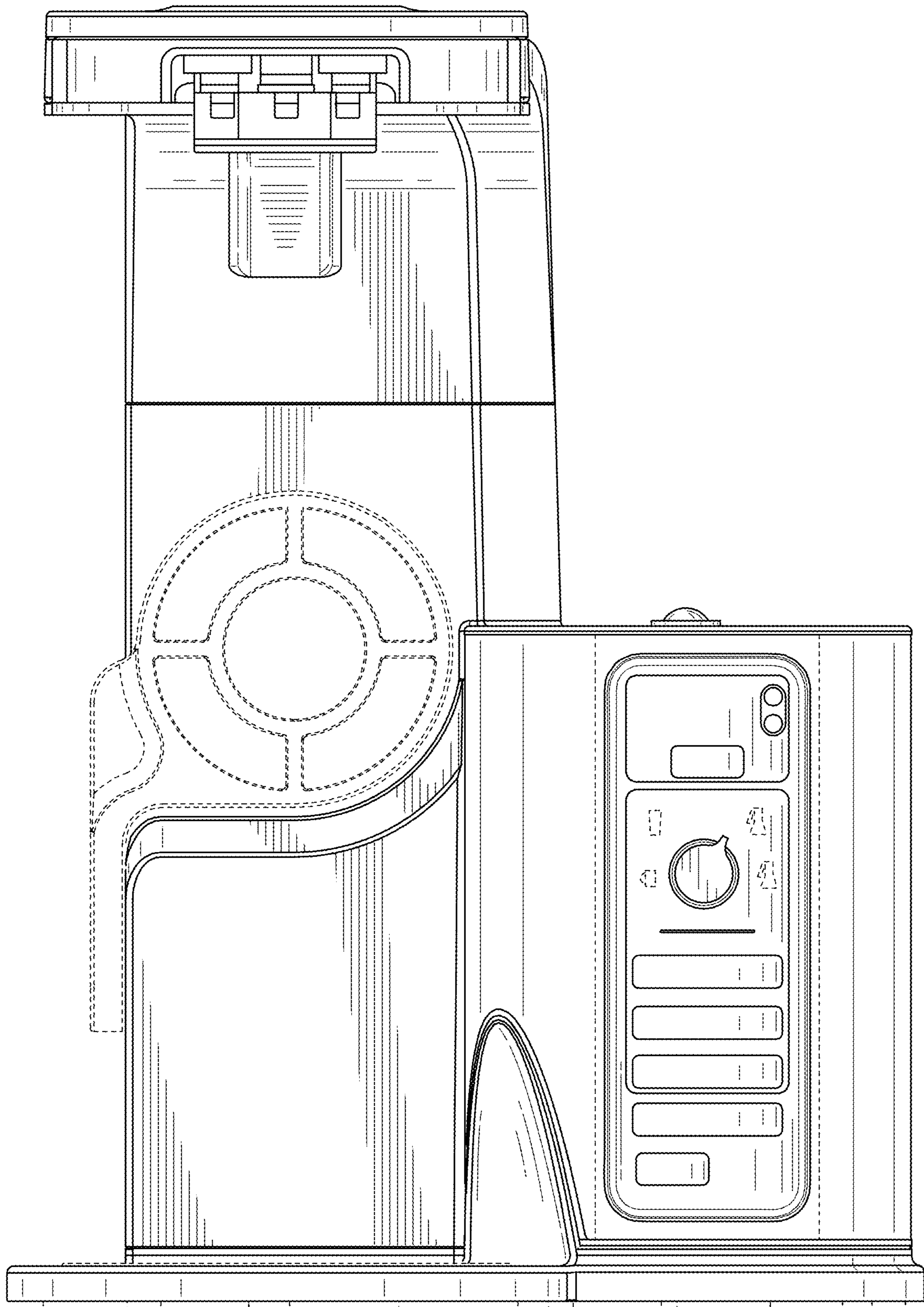


FIG. 2

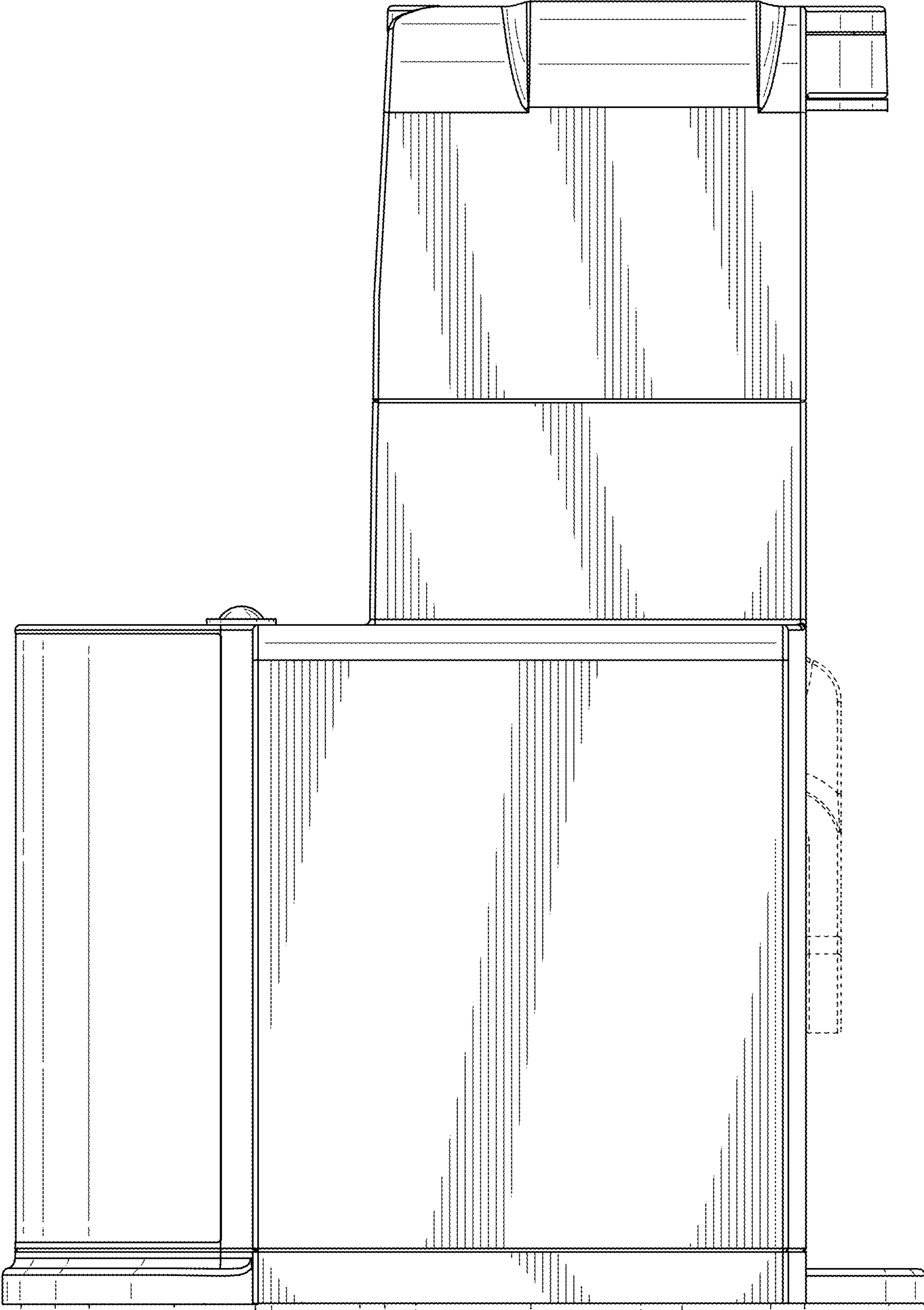


FIG. 3

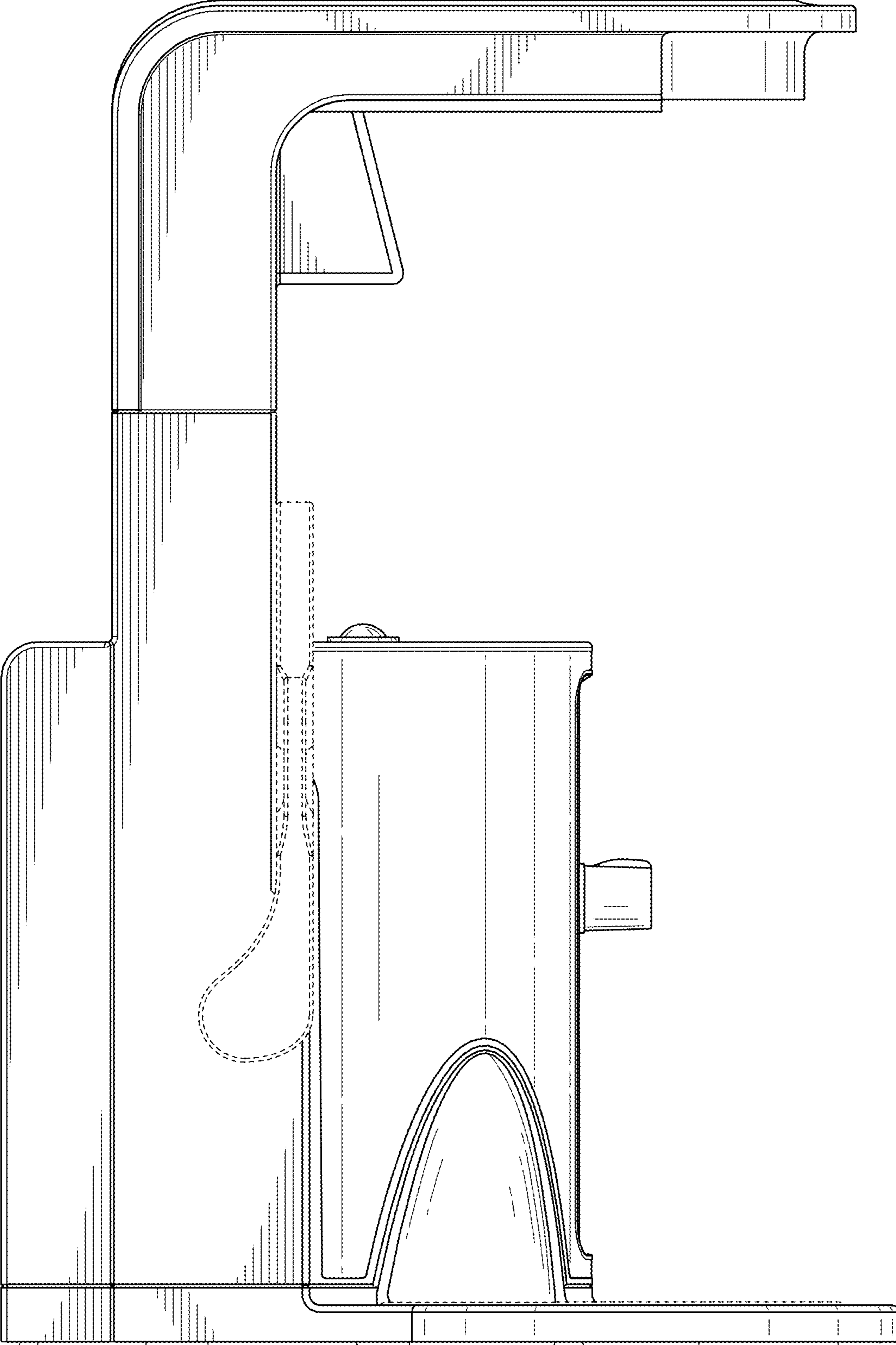


FIG. 4

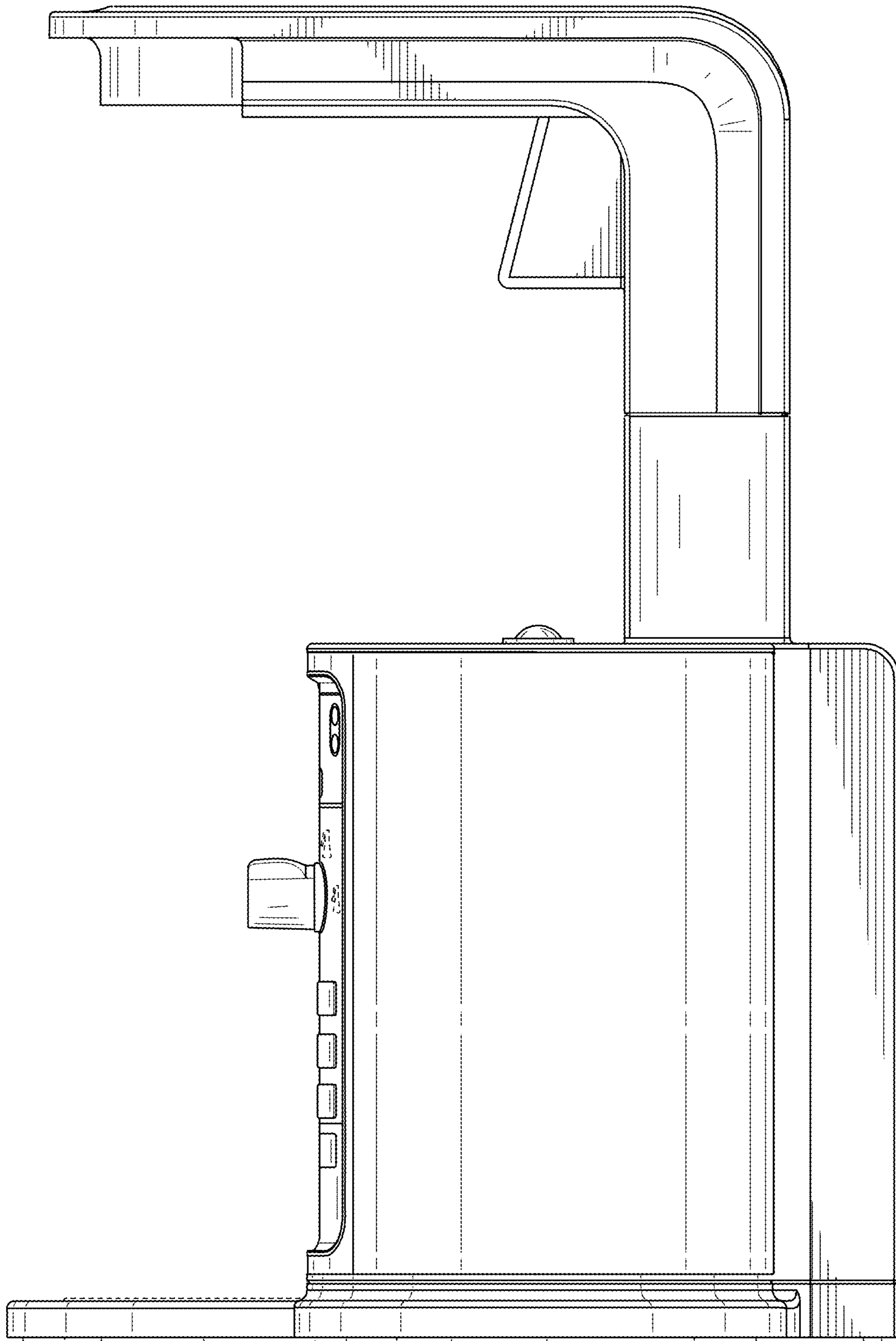


FIG. 5

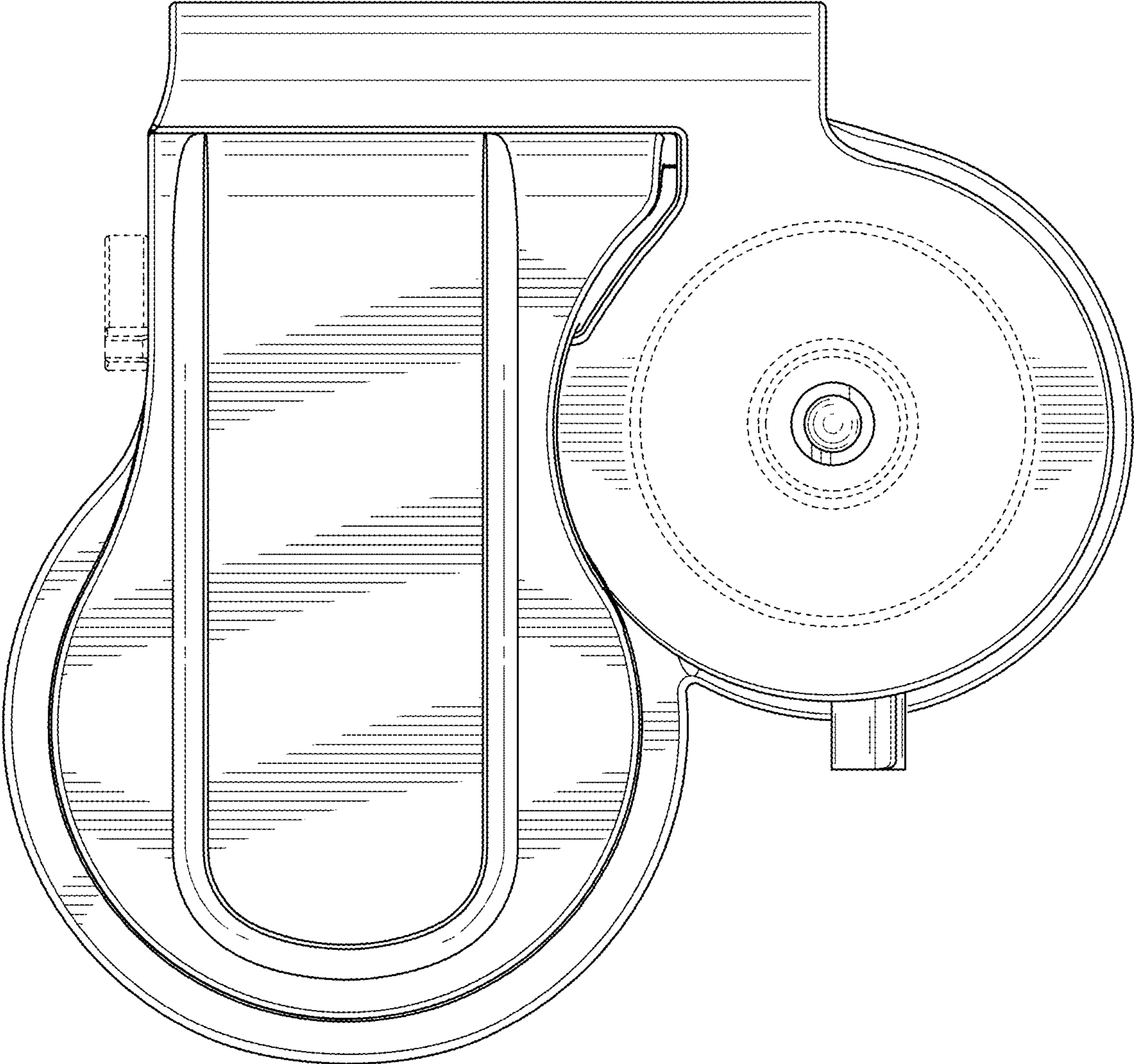


FIG. 6

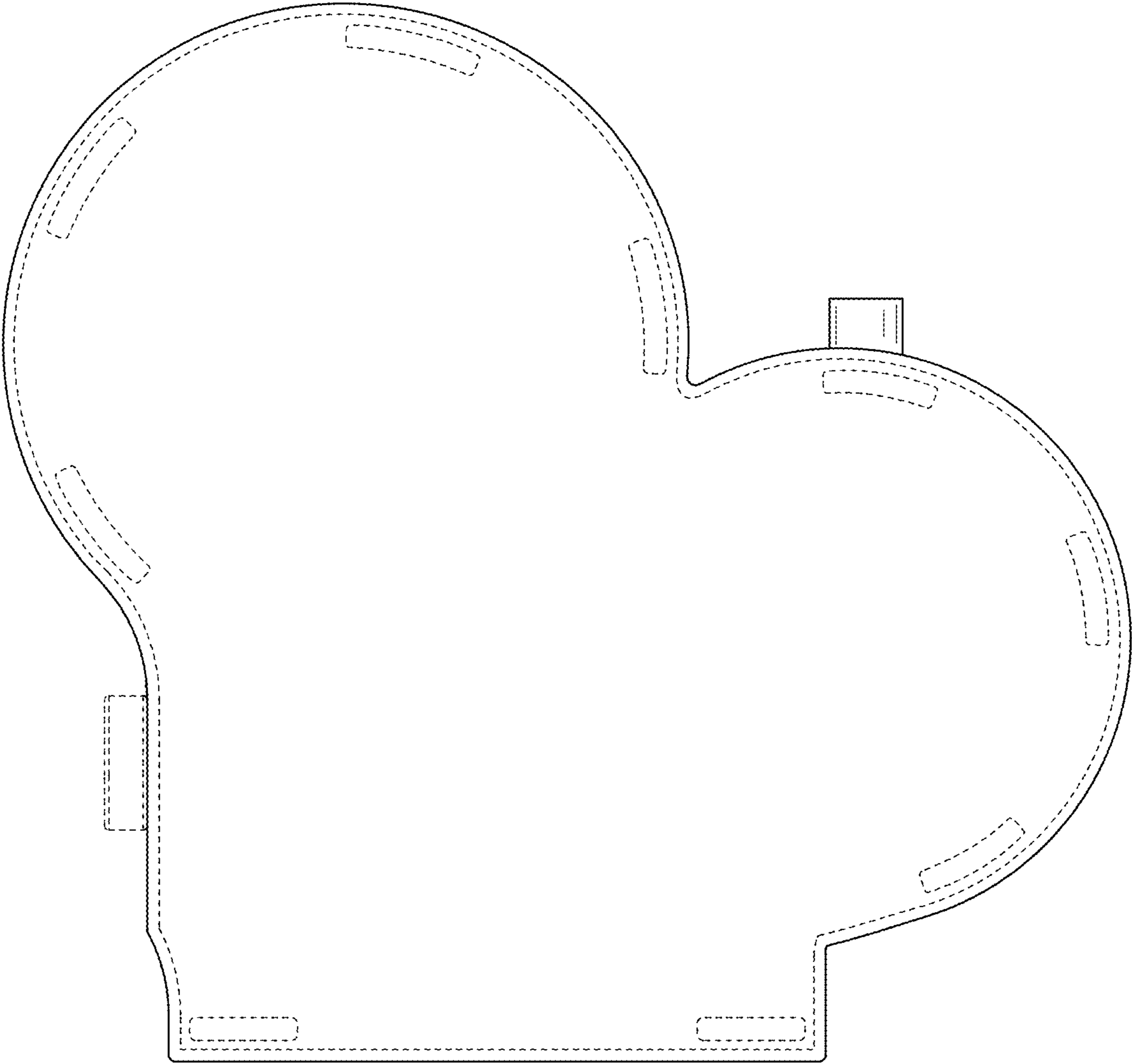


FIG. 7

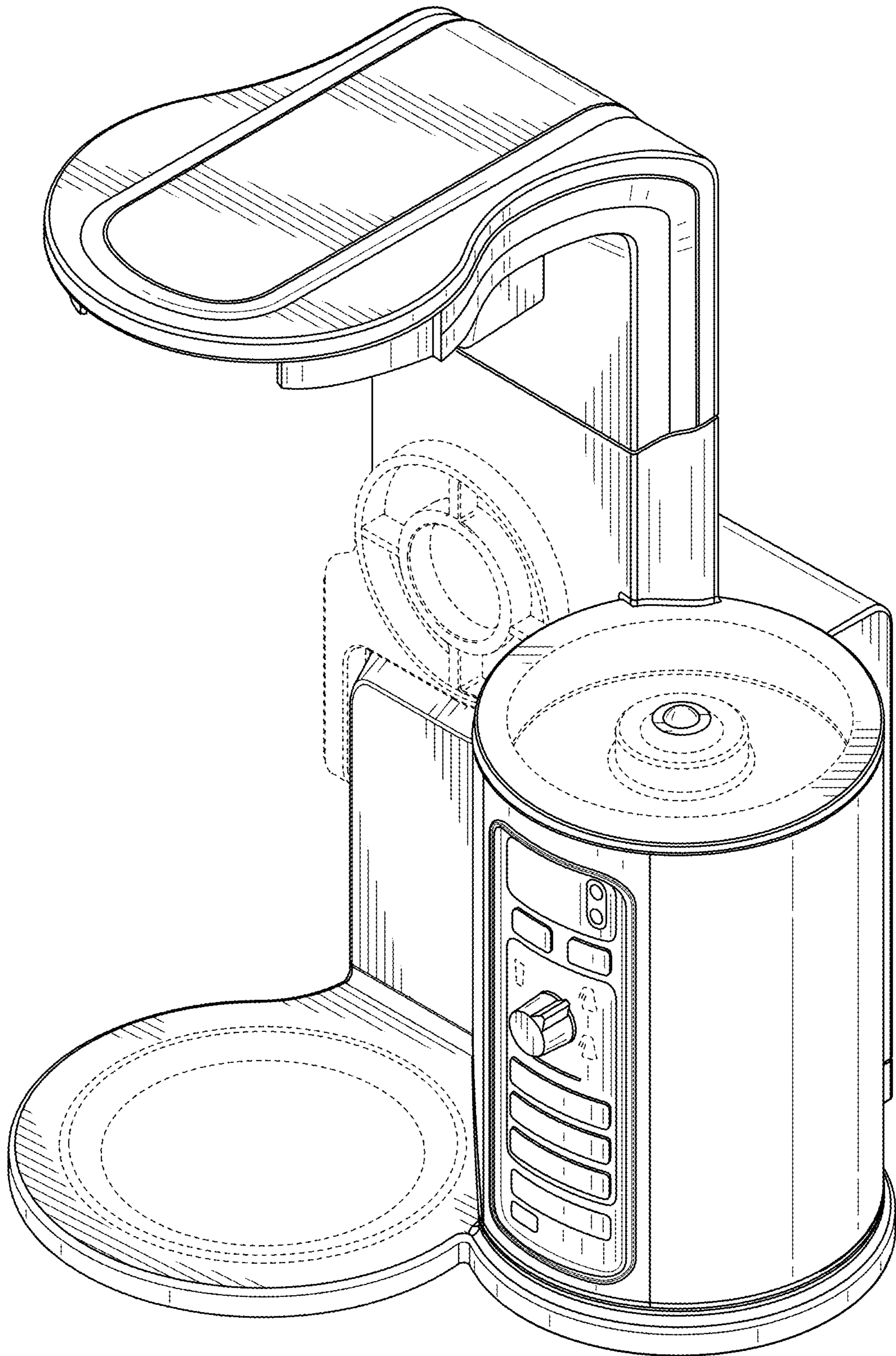


FIG. 8

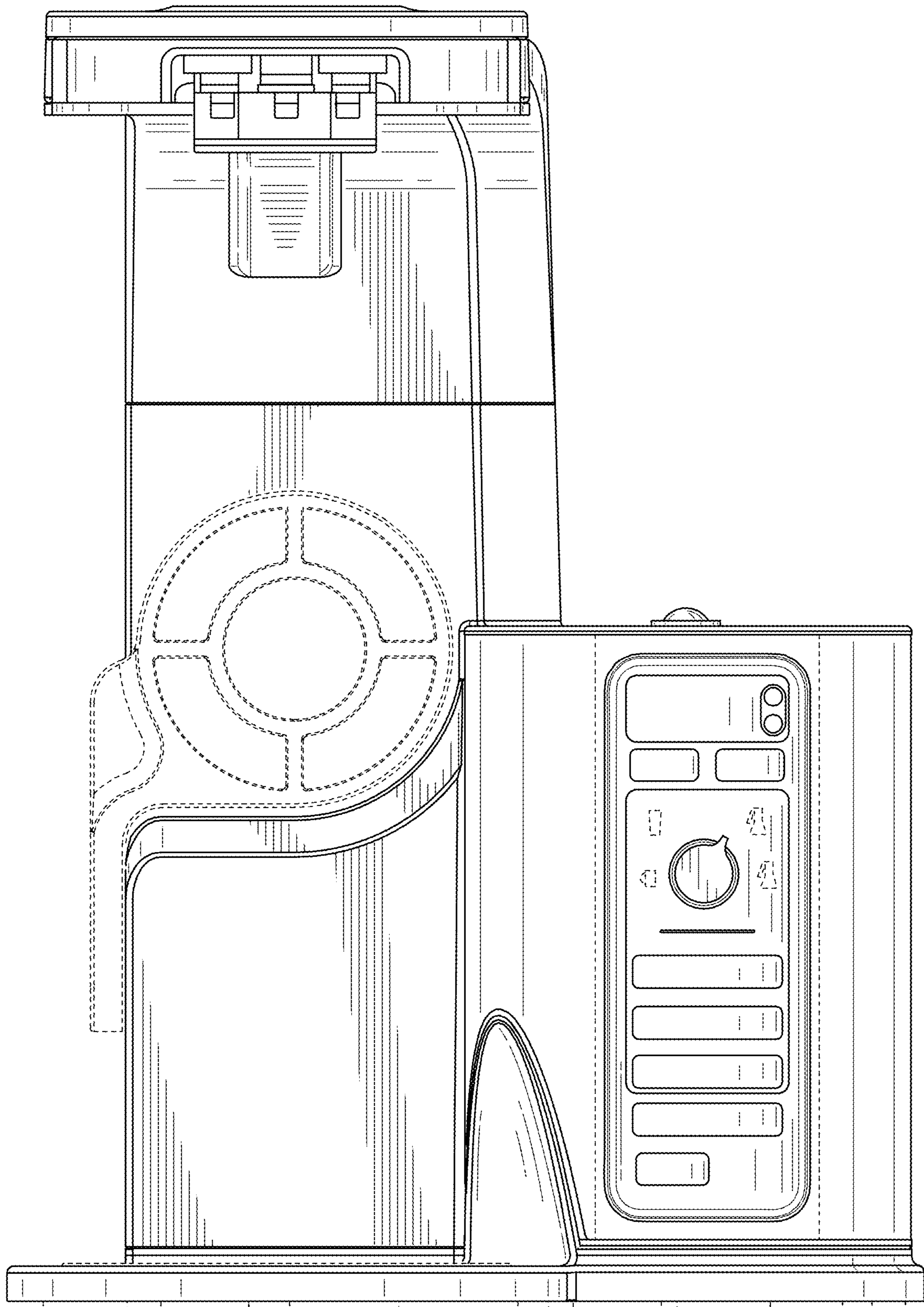


FIG. 9

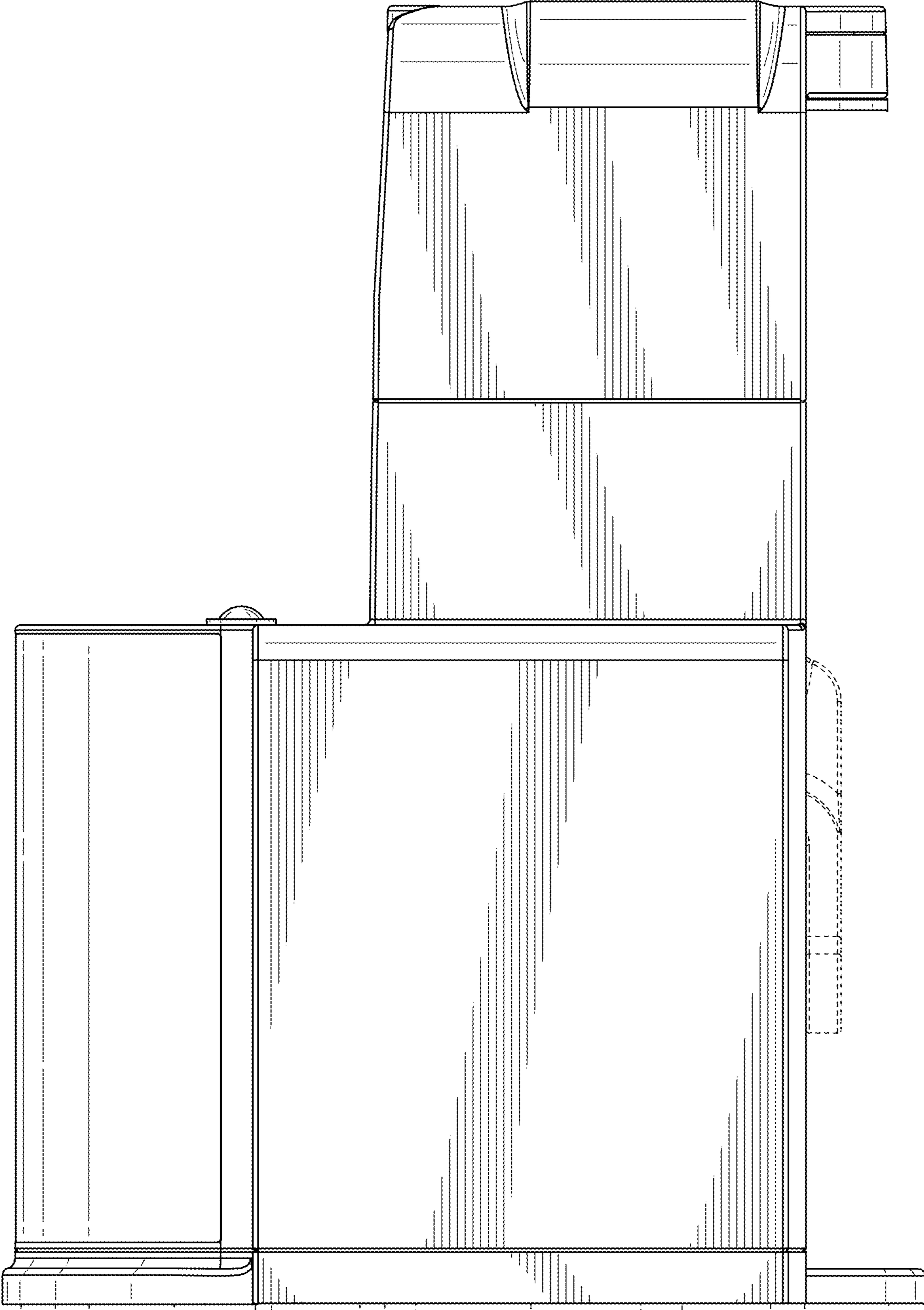


FIG. 10

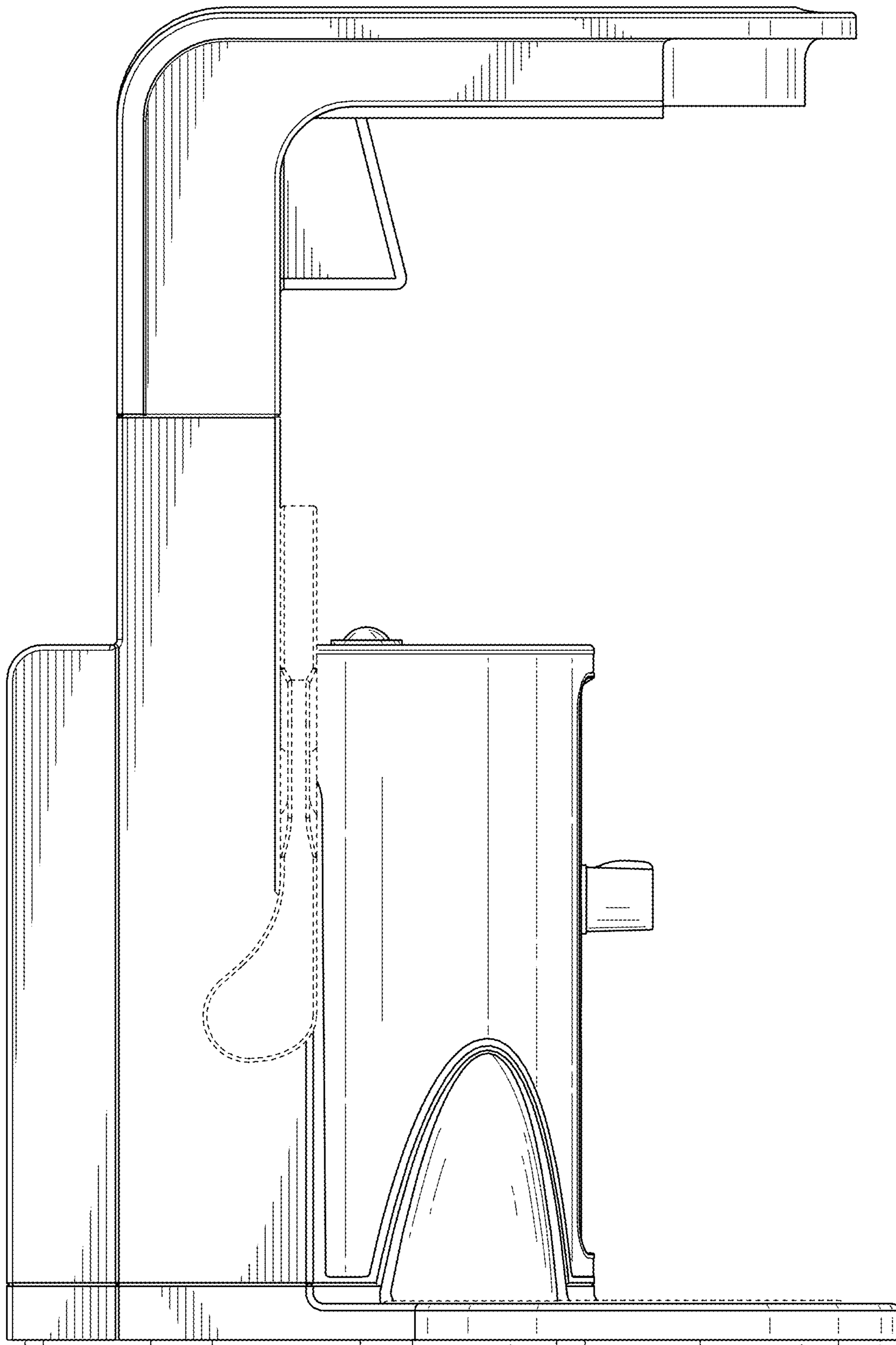


FIG. 11

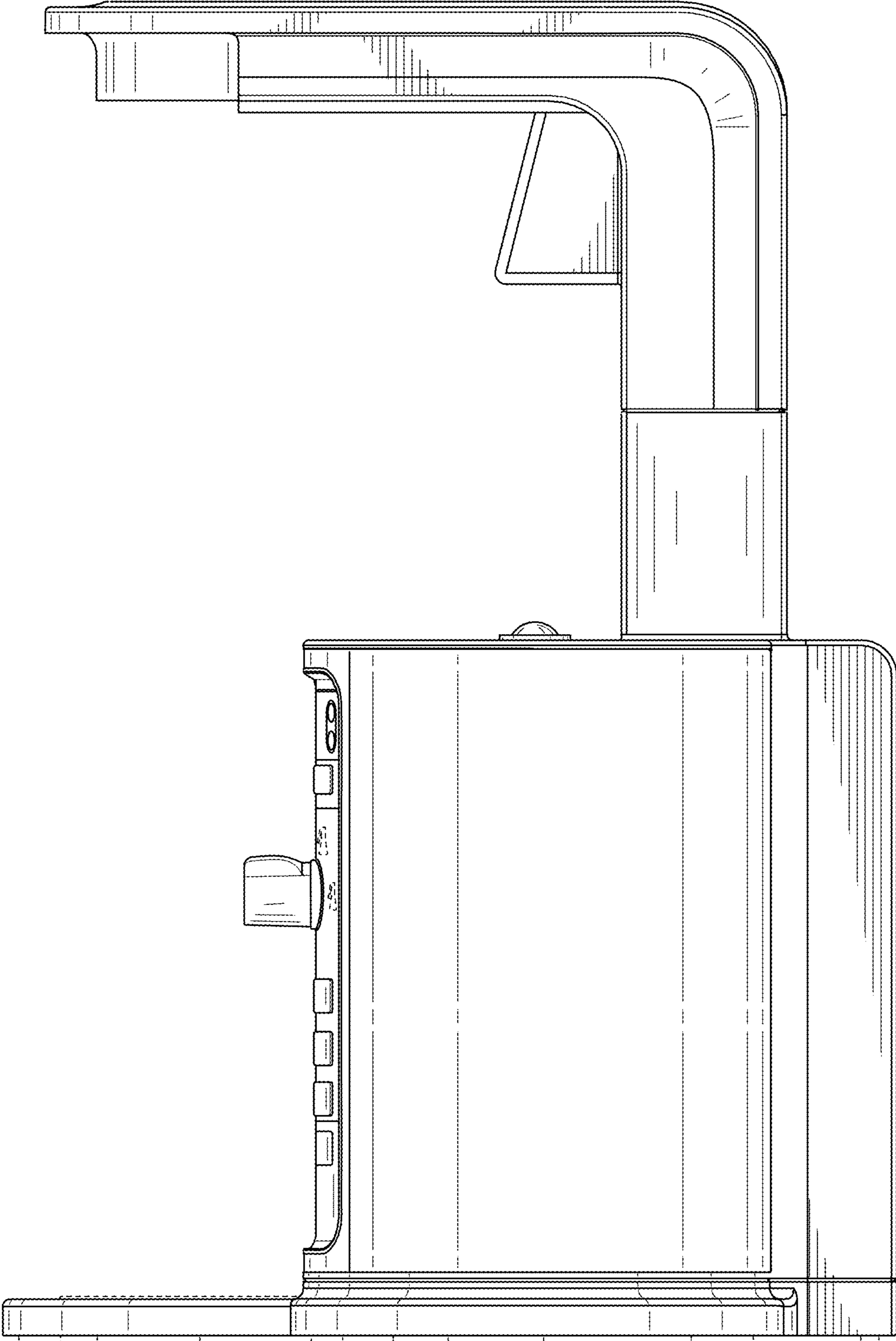


FIG. 12

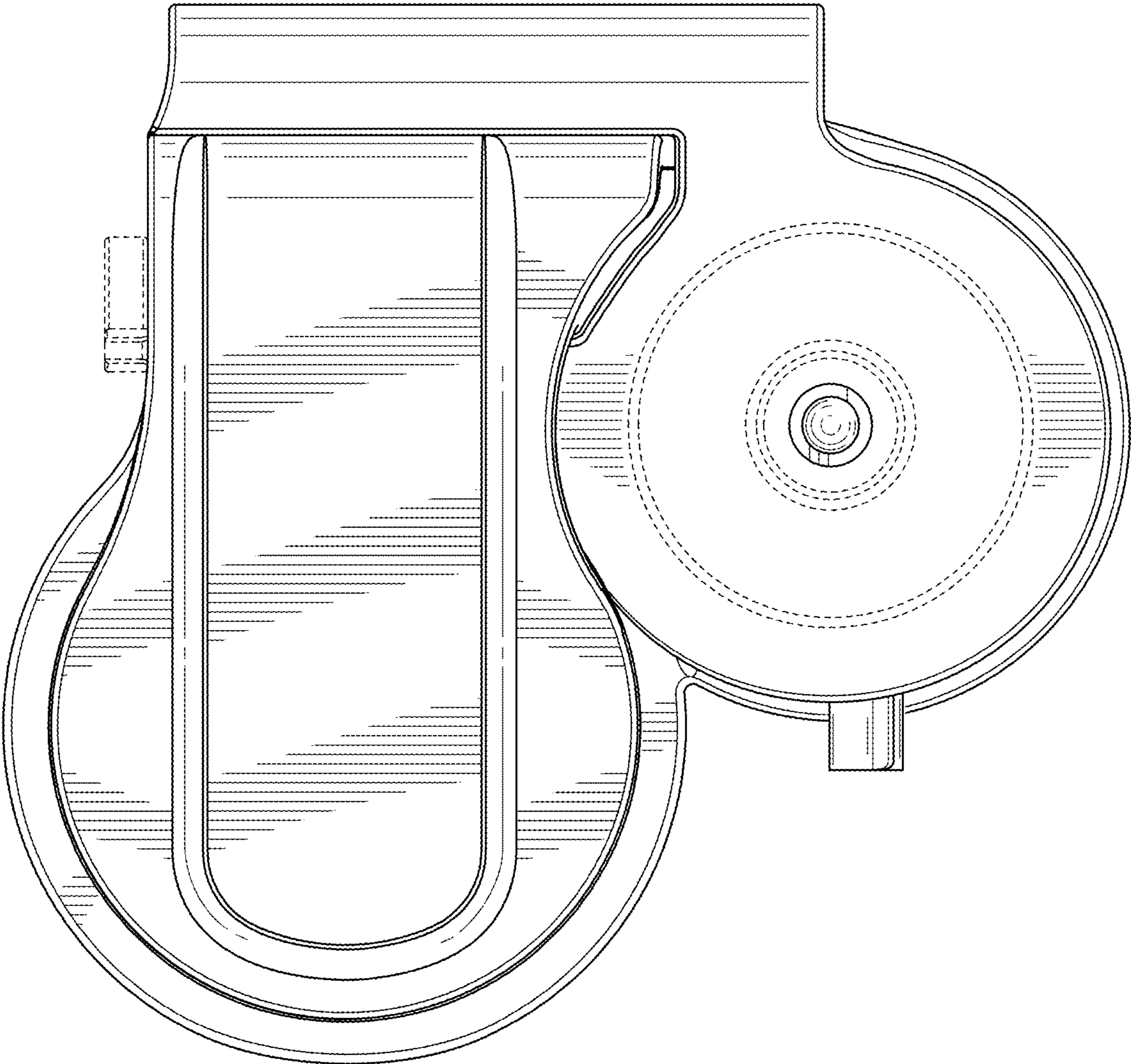


FIG. 13

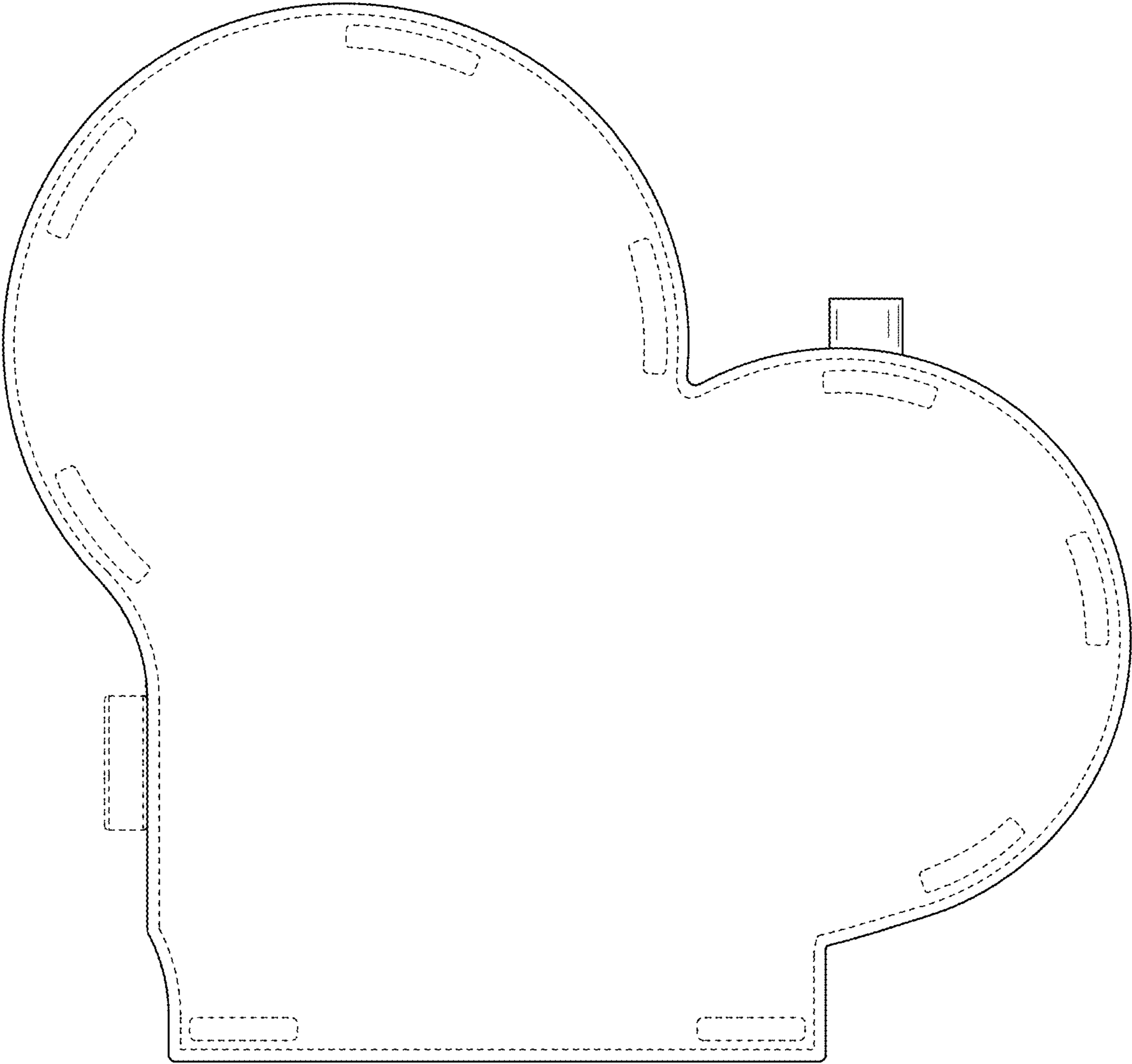


FIG. 14