



US00D894657S

(12) **United States Design Patent** (10) **Patent No.:** **US D894,657 S**
Lawlor et al. (45) **Date of Patent:** **** Sep. 1, 2020**

(54) **BABY DIAPER CHANGING STATION COVER**

(71) Applicant: **Foundations Worldwide, Inc.**, Medina, OH (US)

(72) Inventors: **Joseph A Lawlor**, Medina, OH (US);
David Stitchick, Norton, OH (US);
Lukasz S. Poslowski, Palm Harbor, FL (US)

(73) Assignee: **FOUNDATIONS WORLDWIDE, INC.**, Medina, OH (US)

(**) Term: **15 Years**

(21) Appl. No.: **29/676,514**

(22) Filed: **Jan. 11, 2019**

(51) **LOC (12) Cl.** **06-06**

(52) **U.S. Cl.**
USPC **D6/718.26**; D6/391; D6/610

(58) **Field of Classification Search**
USPC ... D6/383, 384, 390, 391, 392, 718, 718.26,
D6/610
CPC A47D 5/00; A47D 5/003; A47D 5/006;
A47D 15/00
See application file for complete search history.

(56) **References Cited**

U.S. PATENT DOCUMENTS

D241,287 S *	9/1976	Earle	D6/392
5,906,015 A *	5/1999	Hilger	A47D 5/003 5/133
D412,634 S *	8/1999	Helmsderfer	D6/555
6,032,310 A *	3/2000	Helmsderfer	A47D 5/003 5/136
D523,656 S *	6/2006	Giampavolo	D6/391
D620,724 S *	8/2010	Presnell	D6/391
D624,329 S *	9/2010	Presnell	D6/391
2007/0289986 A1 *	12/2007	Lake	A47D 15/003 221/33

* cited by examiner

Primary Examiner — Cathron C Brooks

(74) *Attorney, Agent, or Firm* — Ralph E. Jocke; Walker & Jocke

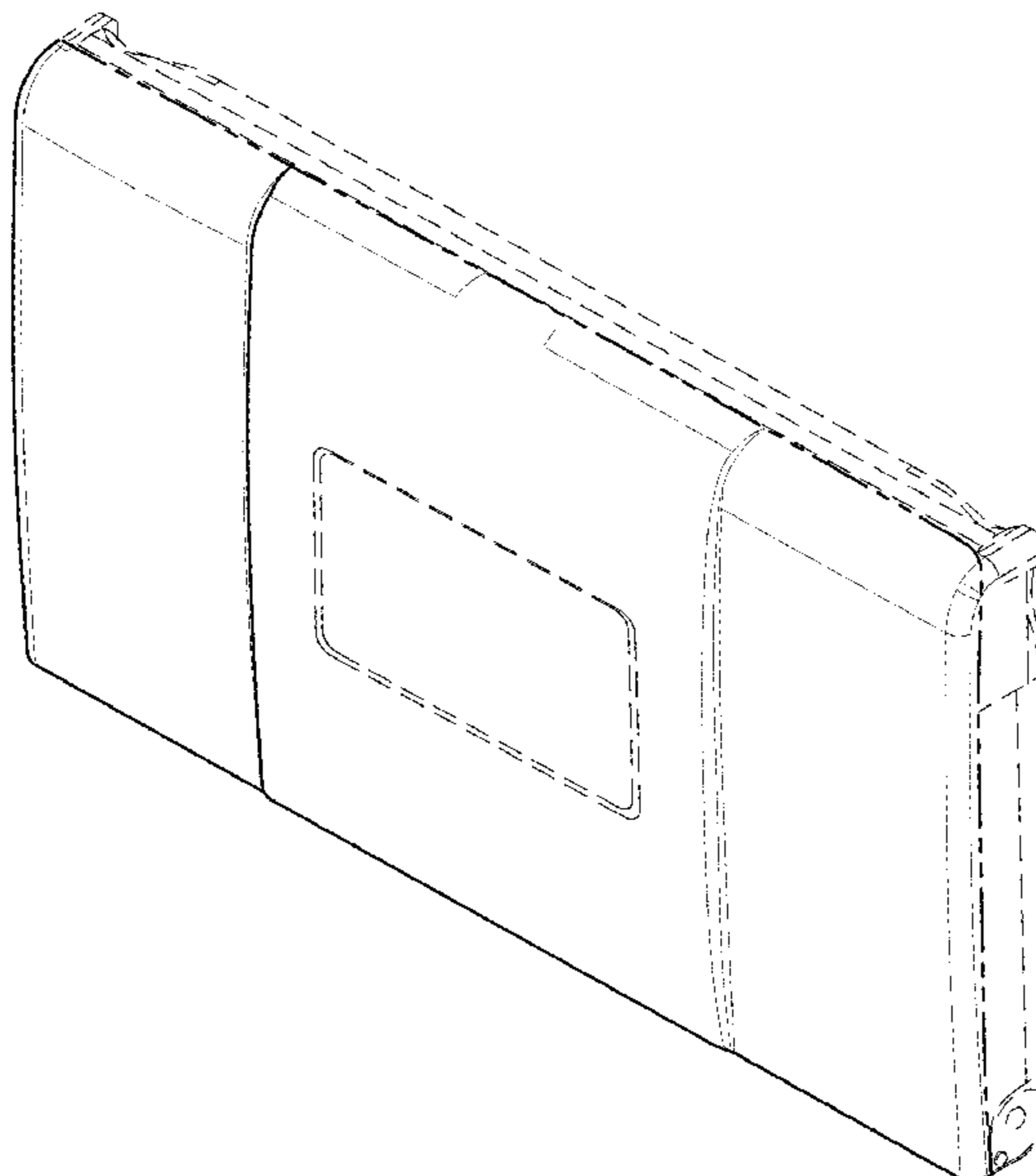
(57) **CLAIM**

The ornamental design for a baby diaper changing station cover, as described.

DESCRIPTION

FIG. 1 is a front plan view showing my new design of a baby diaper changing station cover.
 FIG. 2 is a right side view of the baby diaper changing station cover in a stored position.
 FIG. 3 is a right side view of the baby diaper changing station cover in a use position.
 FIG. 4 is a left side view of the baby diaper changing station cover in the stored position.
 FIG. 5 is a right side view of the baby diaper changing station cover in the use position.
 FIG. 6 is a top front right perspective view of the baby diaper changing station cover in the use position.
 FIG. 7 is a top front left perspective view of the baby diaper changing station cover in the use position.
 FIG. 8 is a top front right perspective view of the baby diaper changing station cover in the stored position.
 FIG. 9 is a top front left perspective view of the baby diaper changing station cover in the stored position; and,
 FIG. 10 is a top back right perspective view of the baby diaper changing station cover in the use position.
 The dash double dash broken lines in the drawings indicated the boundary of the claimed design. The broken line showing of the baby changing station indicates the environment of the claimed design, and the remaining broken lines are portions of the baby diaper changing station cover. None of the broken lines form part of the claimed design.
 Features not shown in the drawings form no part of the claimed design.

1 Claim, 8 Drawing Sheets



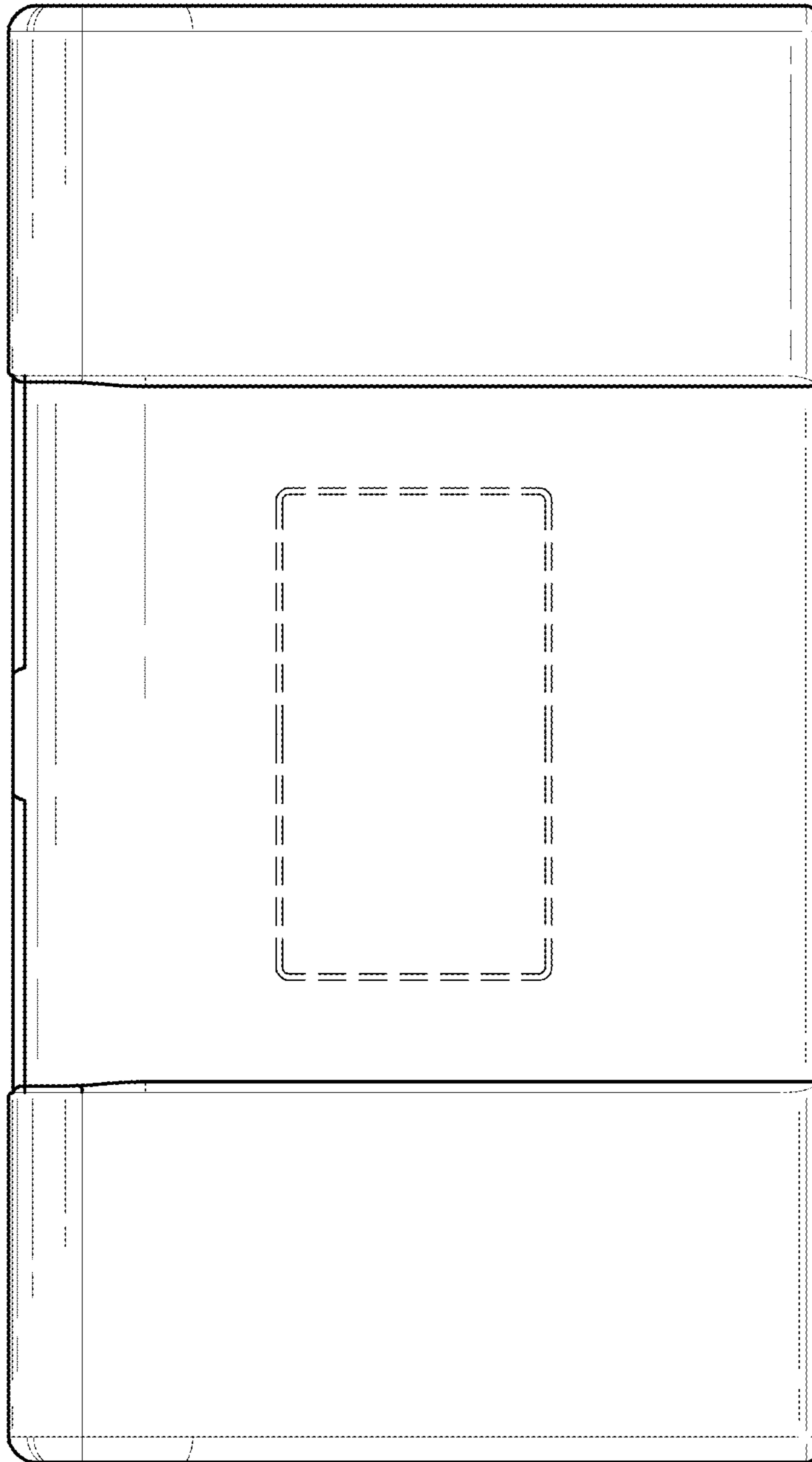


FIG. 1

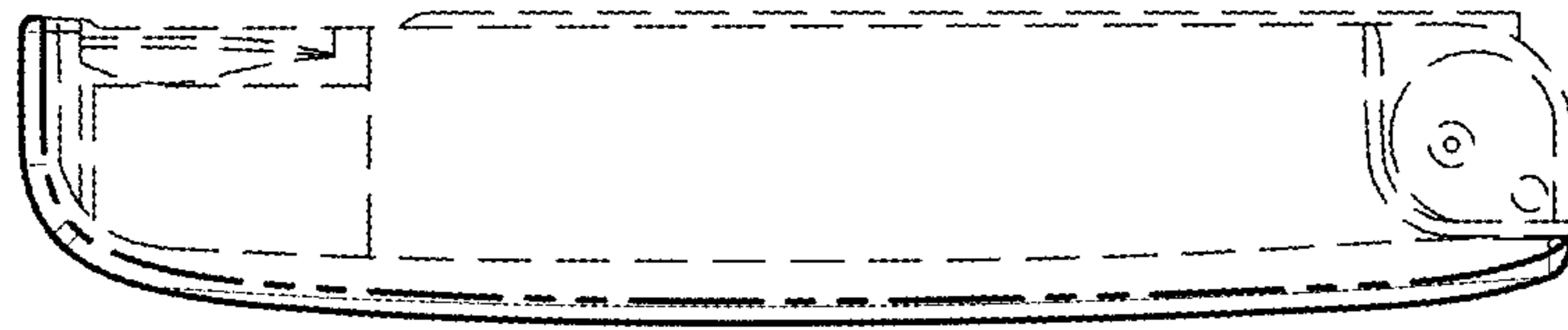


FIG. 2

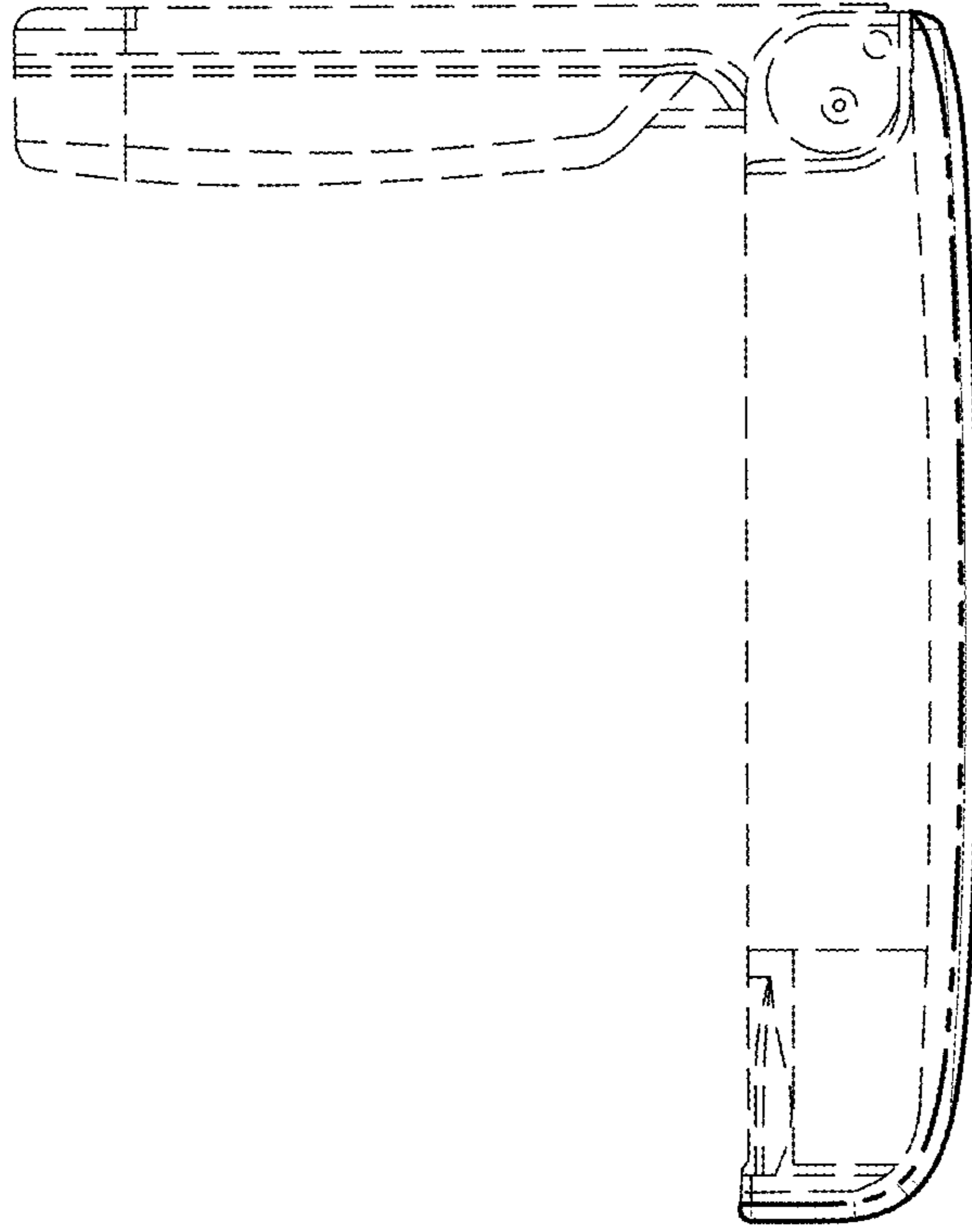


FIG. 3

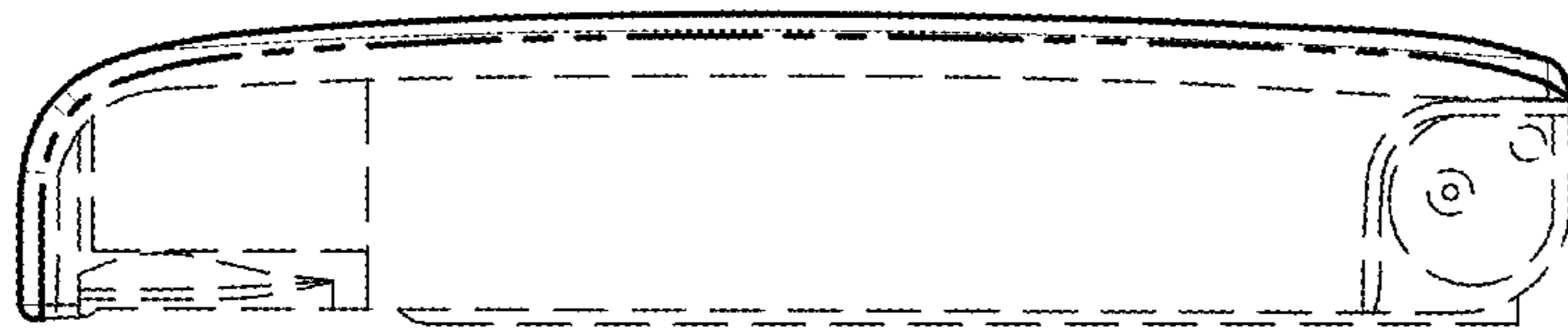


FIG. 4

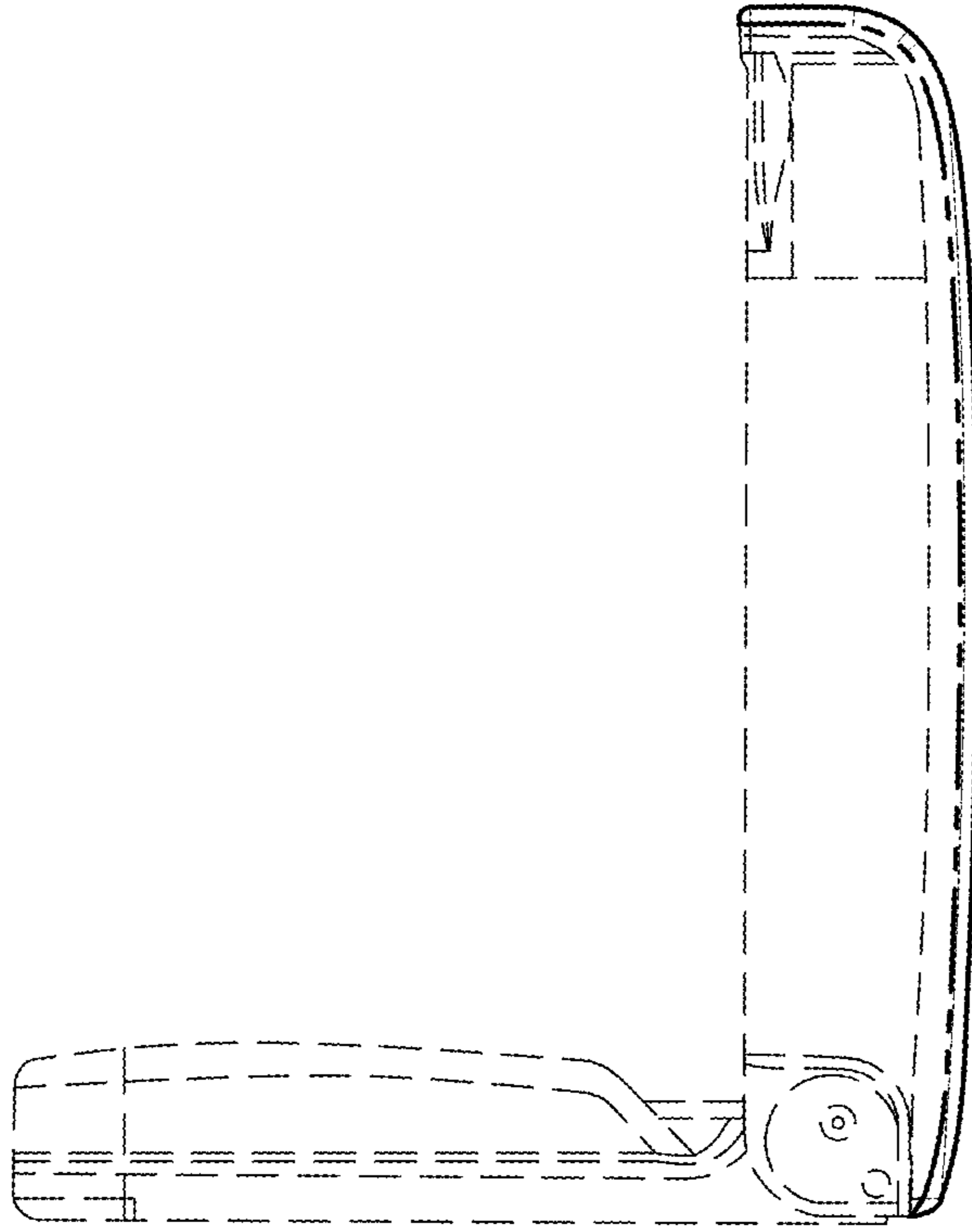


FIG. 5

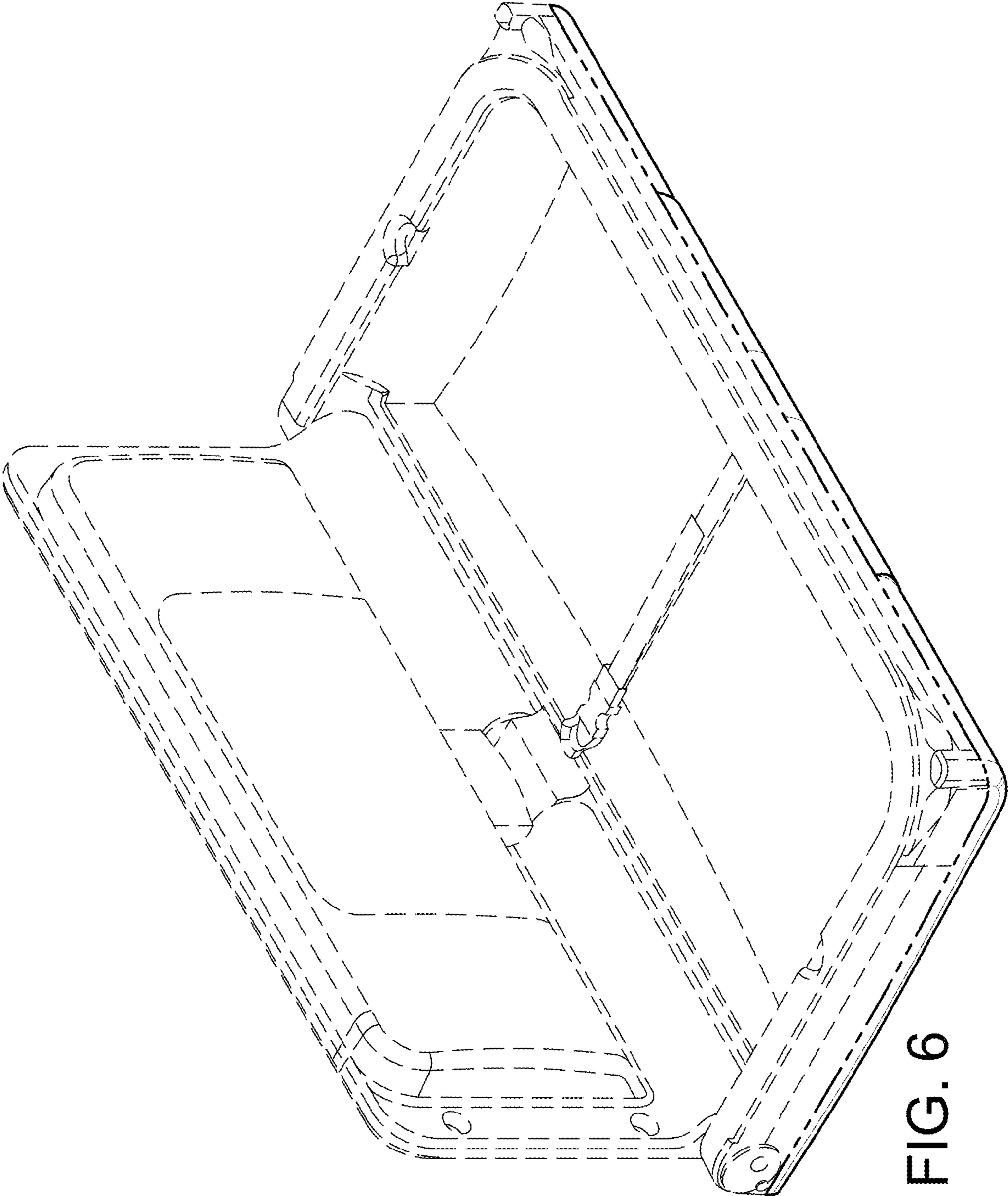


FIG. 6

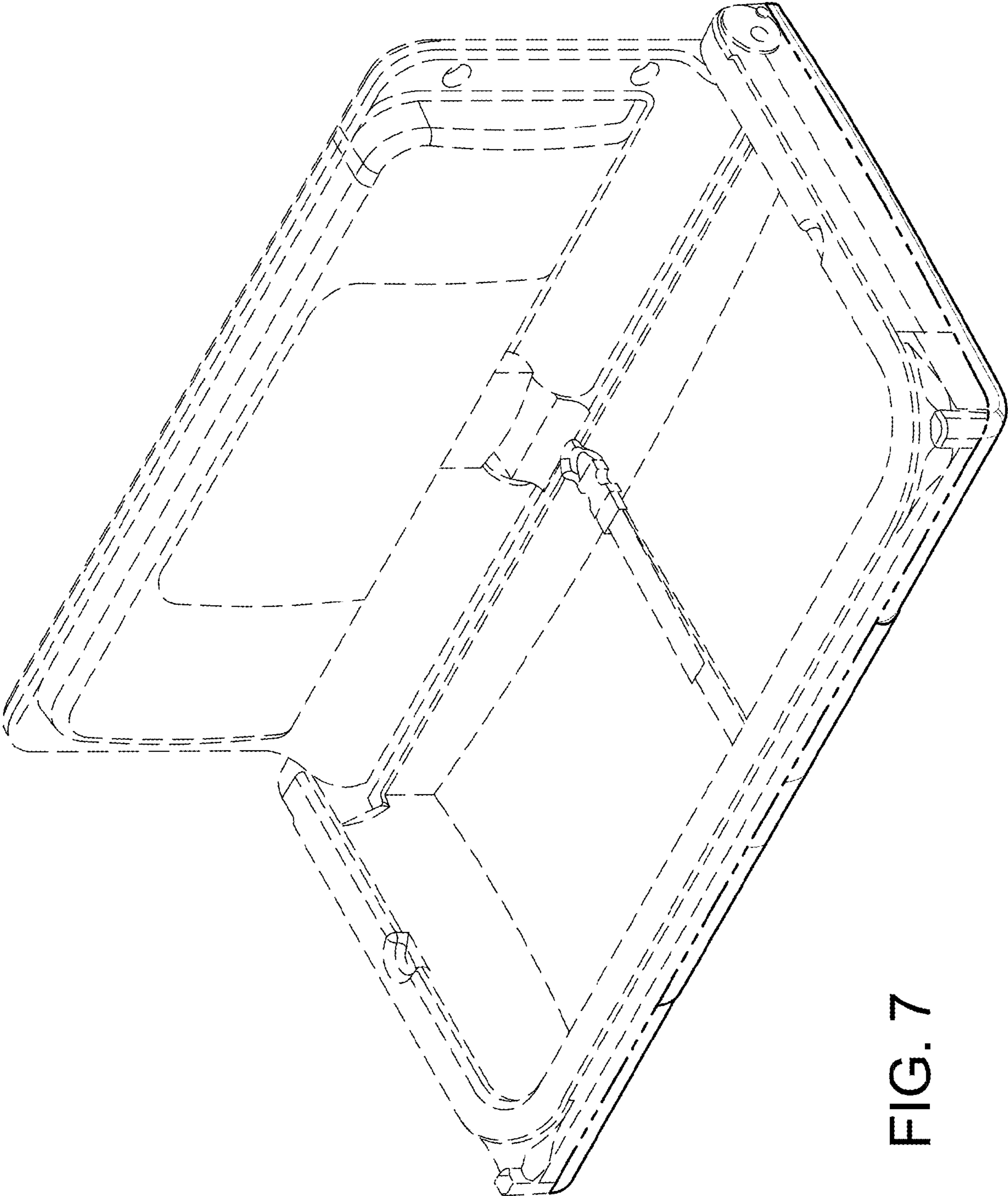


FIG. 7

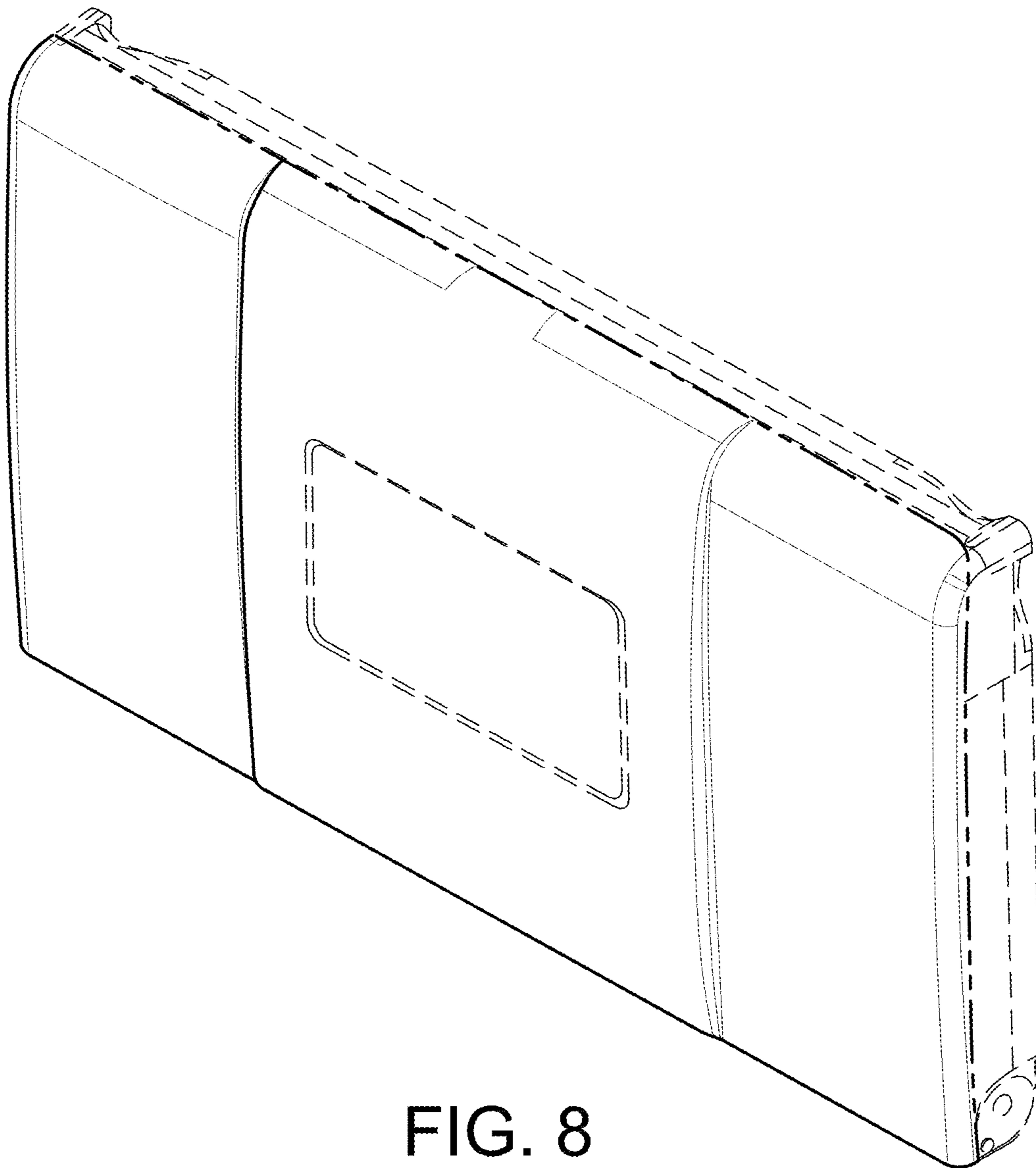


FIG. 8

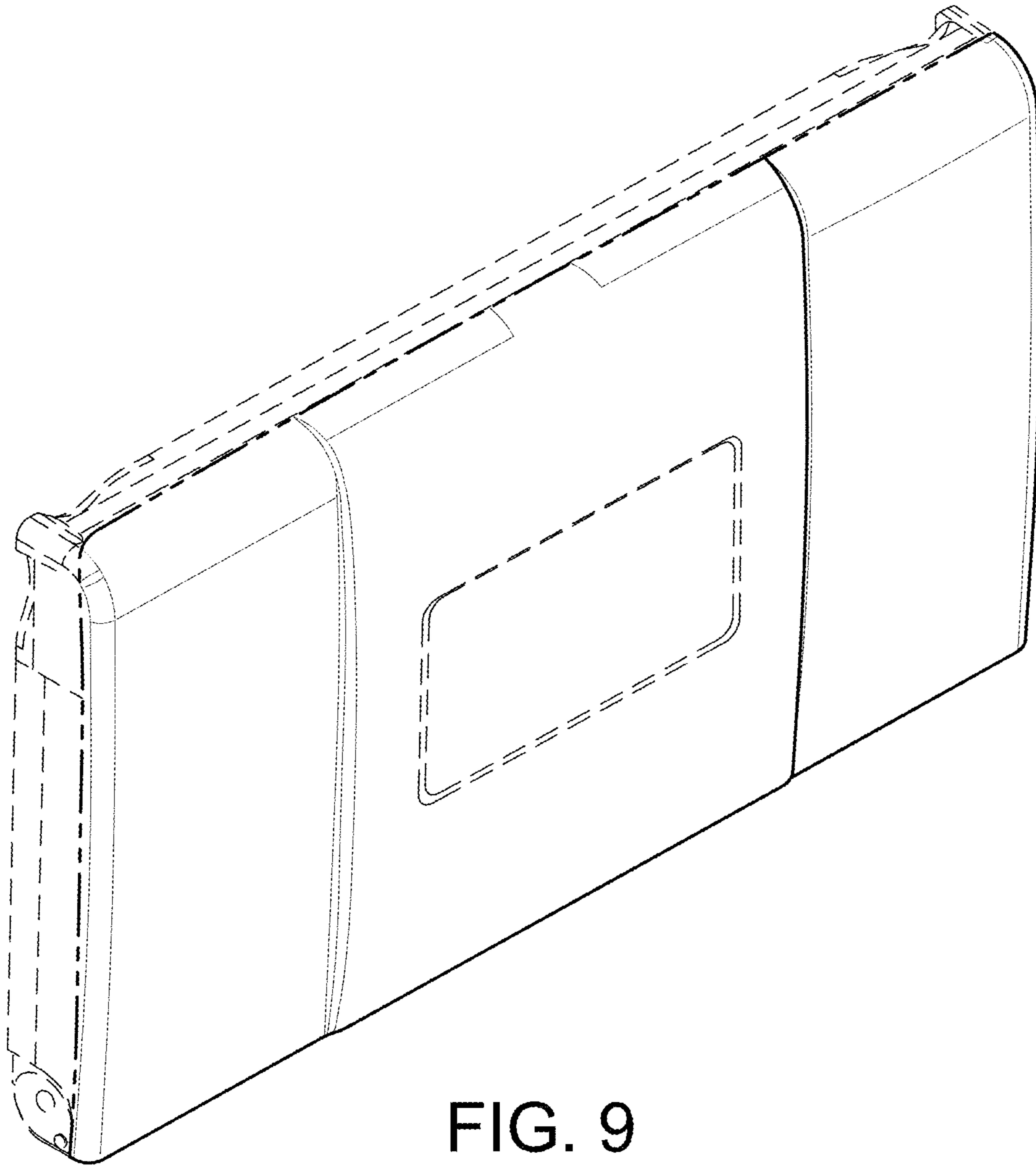


FIG. 9

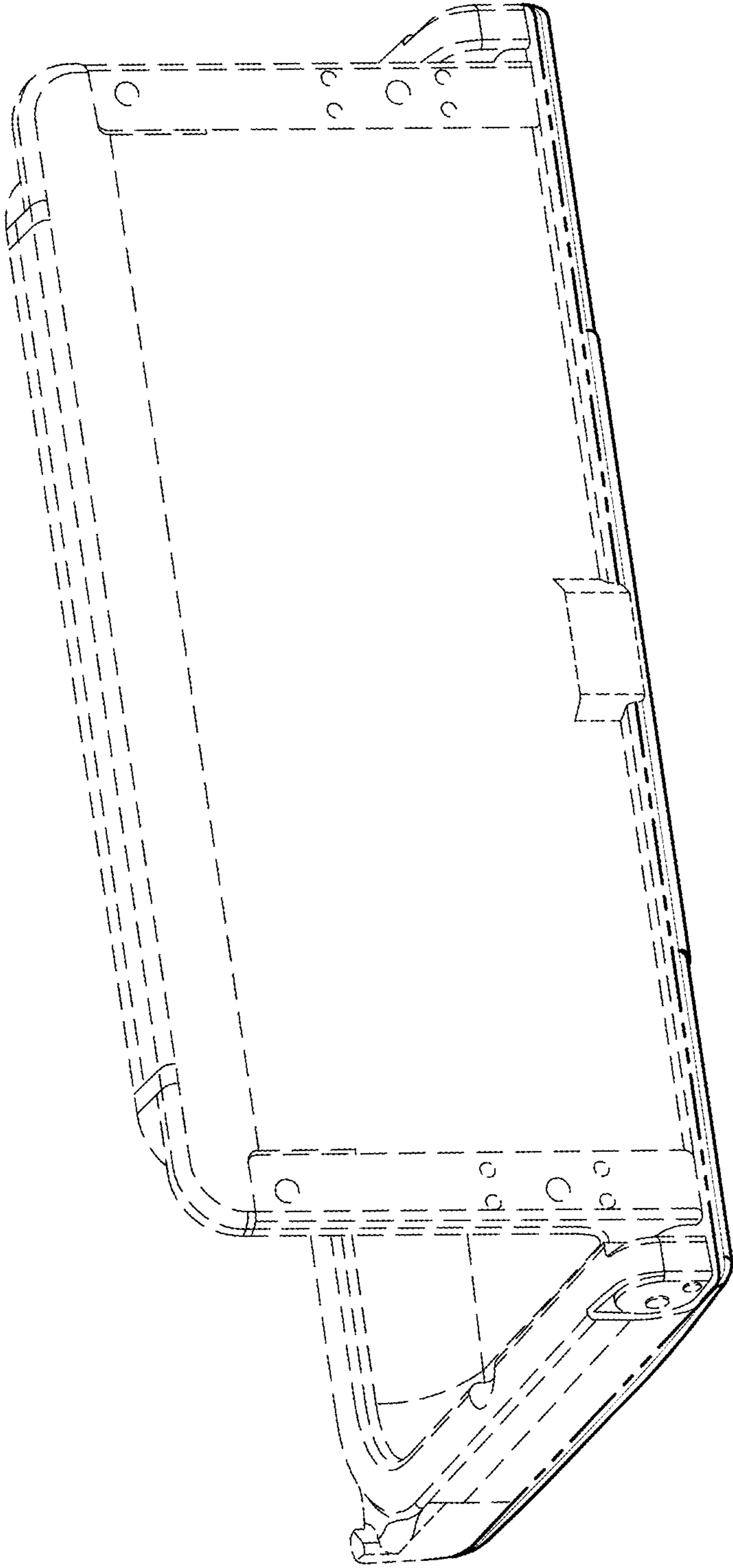


FIG. 10