



US00D894656S

(12) **United States Design Patent**
Tomsky

(10) **Patent No.:** **US D894,656 S**

(45) **Date of Patent:** **** Sep. 1, 2020**

(54) **ERGONOMIC FOOT REST**

(71) Applicant: **Craig Tomsky**, Clinton Township, NJ (US)

(72) Inventor: **Craig Tomsky**, Clinton Township, NJ (US)

(**) Term: **15 Years**

(21) Appl. No.: **29/667,263**

(22) Filed: **Oct. 19, 2018**

(51) **LOC (12) Cl.** **06-01**

(52) **U.S. Cl.**
USPC **D6/716.6**

(58) **Field of Classification Search**
USPC D6/334-336, 349, 360, 364, 365, 366, D6/601, 716.6
CPC .. A47C 7/18; A47C 16/02; A47C 7/50; A47C 7/503; A47C 7/52; A61G 5/1045; B68G 5/00; A47G 2009/1018
See application file for complete search history.

(56) **References Cited**

U.S. PATENT DOCUMENTS

- 2,748,838 A * 6/1956 Scholl A47C 16/02
297/423.41
- 3,820,844 A * 6/1974 Fortmann A47C 7/52
297/423.37
- D282,832 S 3/1986 Kain
- D302,361 S 7/1989 Roberts et al.
- D313,521 S 1/1991 Hassel et al.
- 5,098,160 A 3/1992 Moore et al.
- 5,174,631 A * 12/1992 Schaevitz A47C 7/52
248/188.7
- D348,784 S 7/1994 Hassel et al.
- D350,450 S 9/1994 Hassel et al.
- D367,369 S 2/1996 Lovegrove et al.
- D371,462 S 7/1996 Grossmith
- D379,271 S 5/1997 Starck

- D389,327 S 1/1998 King
 - D390,020 S 2/1998 Huang
 - D390,711 S 2/1998 Pearl
 - D393,373 S 4/1998 Acosta
 - D393,890 S 4/1998 Biliouris
 - D424,828 S 5/2000 Ko
 - 6,142,571 A * 11/2000 Benden A47C 7/52
297/423.4
 - D441,587 S * 5/2001 Cameron D6/601
 - 6,312,039 B1 11/2001 Bartz
 - D451,292 S 12/2001 Cheris et al.
 - D452,404 S * 12/2001 Cameron D6/601
- (Continued)

FOREIGN PATENT DOCUMENTS

- CN 102940405 1/2016
- CN 204930927 1/2016

(Continued)

Primary Examiner — Mimosa De
(74) *Attorney, Agent, or Firm* — Gearhart Law LLC

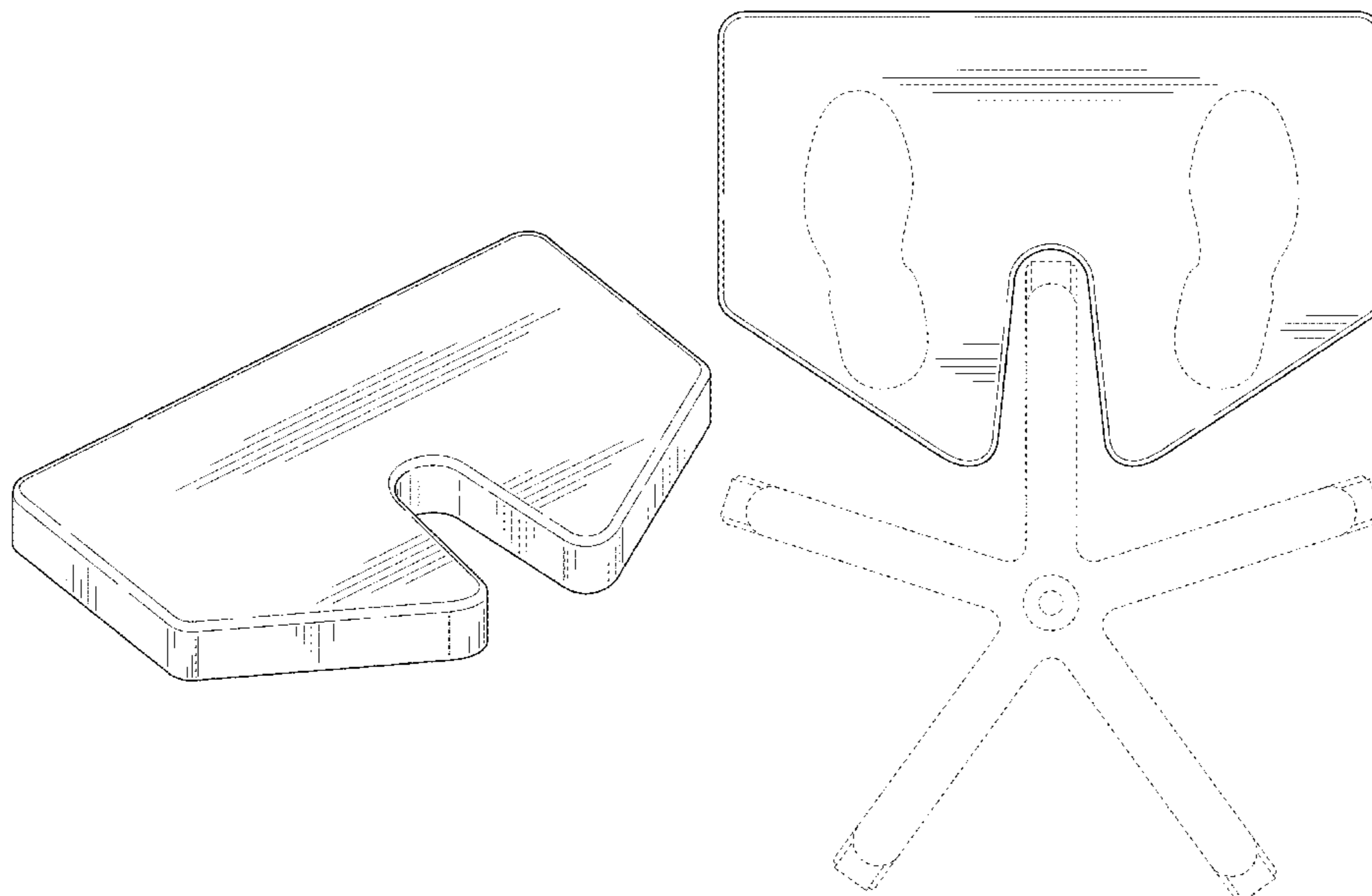
(57) **CLAIM**

The ornamental design for an ergonomic foot rest, as shown and described.

DESCRIPTION

FIG. 1 is a perspective view of the ergonomic foot rest. FIG. 2 is a front view thereof. FIG. 3 is a back view thereof. FIG. 4 is a right side view thereof. FIG. 5 is a left side view thereof. FIG. 6 is a top view of thereof. FIG. 7 is a bottom view of thereof; and, FIG. 8 is a top view of the ergonomic footrest accommodating a castor of a chair and showing an exemplary foot position upon the ergonomic footrest. The dashed lines shown in the drawings are used to illustrate the environment and form no part of the claimed design.

1 Claim, 4 Drawing Sheets



(56)

References Cited

U.S. PATENT DOCUMENTS

6,634,716 B2 10/2003 Sander
 D484,516 S 12/2003 McCord et al.
 D485,444 S 1/2004 Nicoletti
 D520,290 S 5/2006 Curtis
 D540,074 S 4/2007 Peters
 D585,202 S 1/2009 Curtis
 D595,986 S * 7/2009 Kloes D6/601
 D597,754 S 8/2009 Lukic et al.
 D599,452 S 9/2009 Israel et al.
 D599,453 S 9/2009 Israel et al.
 7,669,934 B1 * 3/2010 Cline A47C 7/503
 297/217.3
 D621,630 S 8/2010 Curtis
 D631,277 S 1/2011 Curtis
 D631,278 S 1/2011 Curtis
 D636,196 S 4/2011 Hickman et al.
 D637,440 S * 5/2011 Mettler D6/601
 D645,281 S * 9/2011 de Jong D6/716.6
 D653,069 S 1/2012 Curtis
 D656,355 S 3/2012 Curtis
 D670,090 S 11/2012 Miucci
 D670,093 S 11/2012 Miucci
 8,465,099 B2 6/2013 Addy
 8,517,472 B1 8/2013 Proctor
 D716,959 S 11/2014 Hong
 D722,449 S * 2/2015 Krishtul
 D725,923 S 4/2015 Kaye
 D725,924 S 4/2015 Kaye

D725,925 S 4/2015 Kaye
 D736,940 S 8/2015 McKay
 D738,125 S 9/2015 Biddle et al.
 D738,126 S 9/2015 Edwards
 D764,189 S 8/2016 Edwards et al.
 D766,604 S 9/2016 Edwards
 D767,291 S 9/2016 Edwards et al.
 9,549,615 B1 * 1/2017 Su A47C 7/52
 9,609,951 B2 * 4/2017 Chan A47C 7/18
 D787,845 S 5/2017 Edwards
 D790,238 S 6/2017 Little et al.
 D797,466 S 9/2017 Zioni
 D800,462 S 10/2017 Edwards
 D801,095 S 10/2017 Konghe
 9,808,092 B2 11/2017 Kipling
 D805,323 S * 12/2017 Chan D6/601
 D845,033 S * 4/2019 Berg D6/601
 D848,765 S * 5/2019 Chen D6/601
 D850,818 S * 6/2019 Xiang D6/601
 D880,194 S * 4/2020 Chen D6/601
 2005/0000020 A1 1/2005 Schermel
 2006/0014586 A1 1/2006 Gatto et al.
 2008/0124509 A1 5/2008 Boise

FOREIGN PATENT DOCUMENTS

CN 105476763 4/2016
 DE 202013008398 4/2014
 KR 20080037641 4/2008
 WO 9934706 A1 7/1999

* cited by examiner

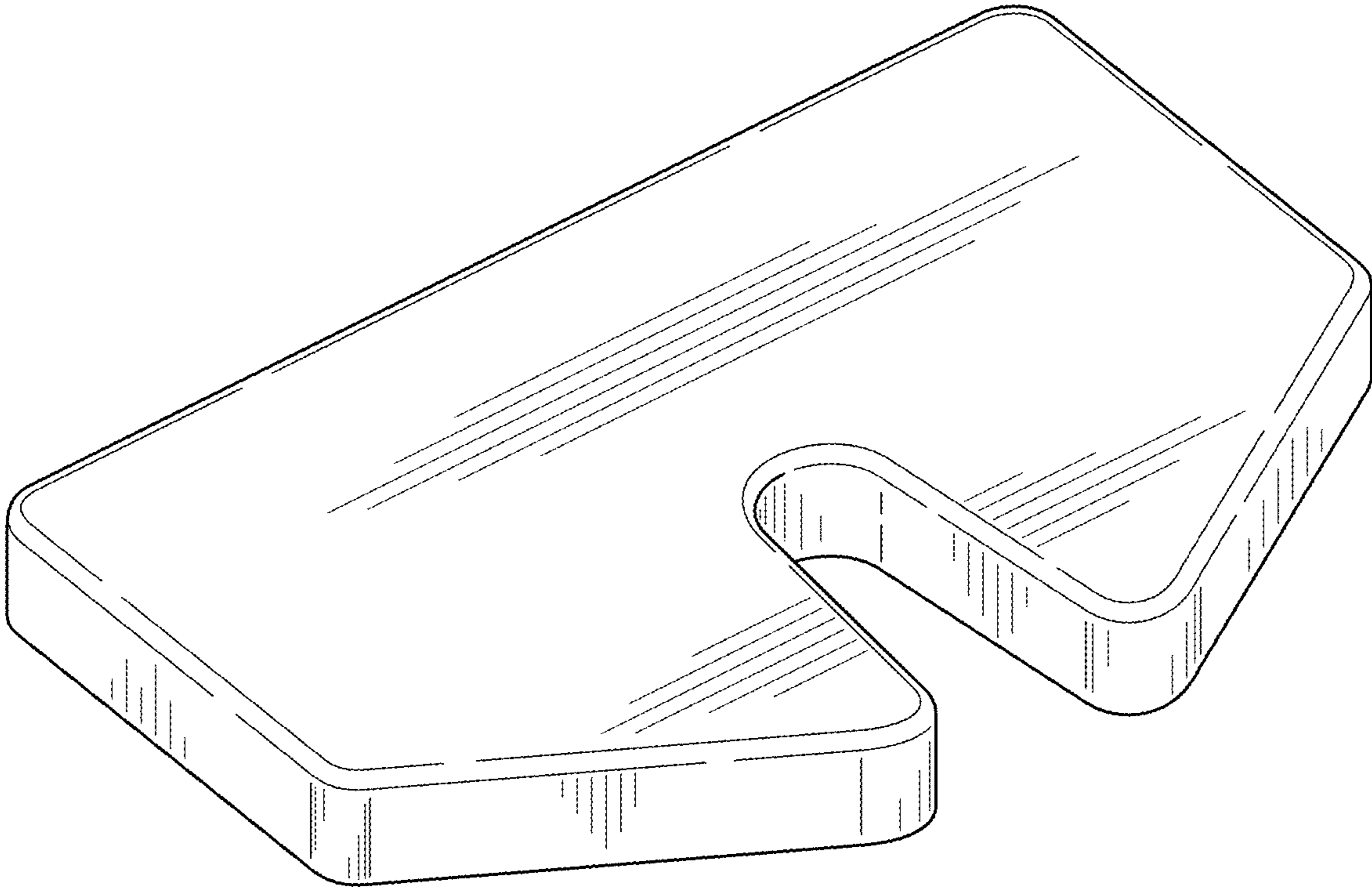


FIG. 1



FIG. 2



FIG. 3

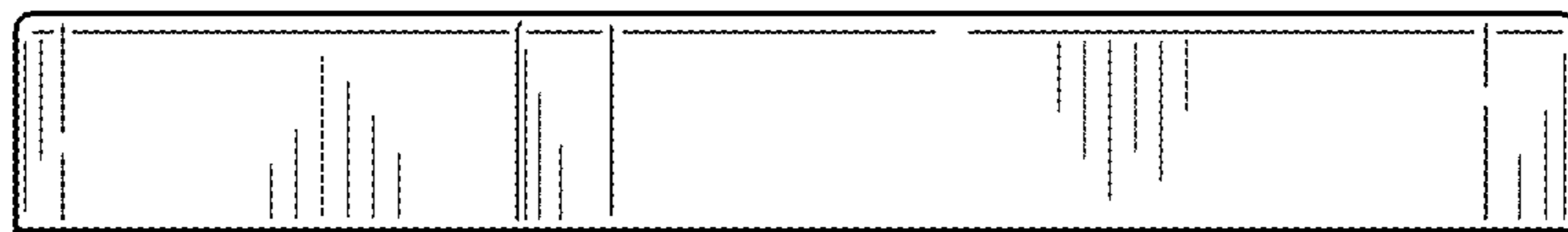


FIG. 4

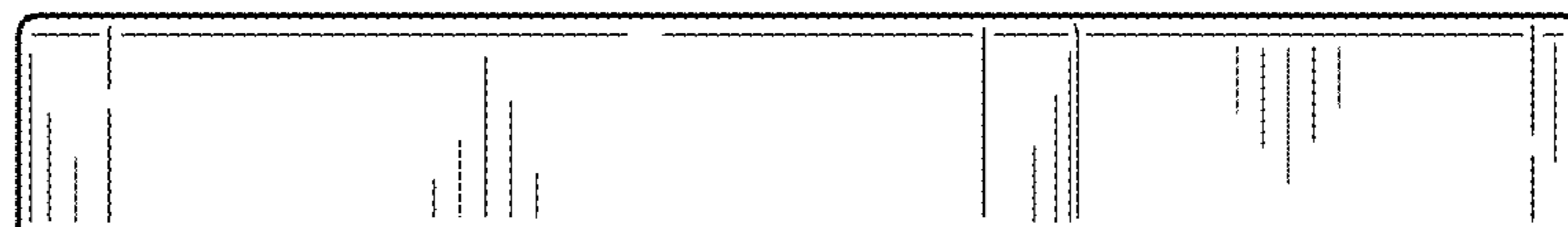


FIG. 5

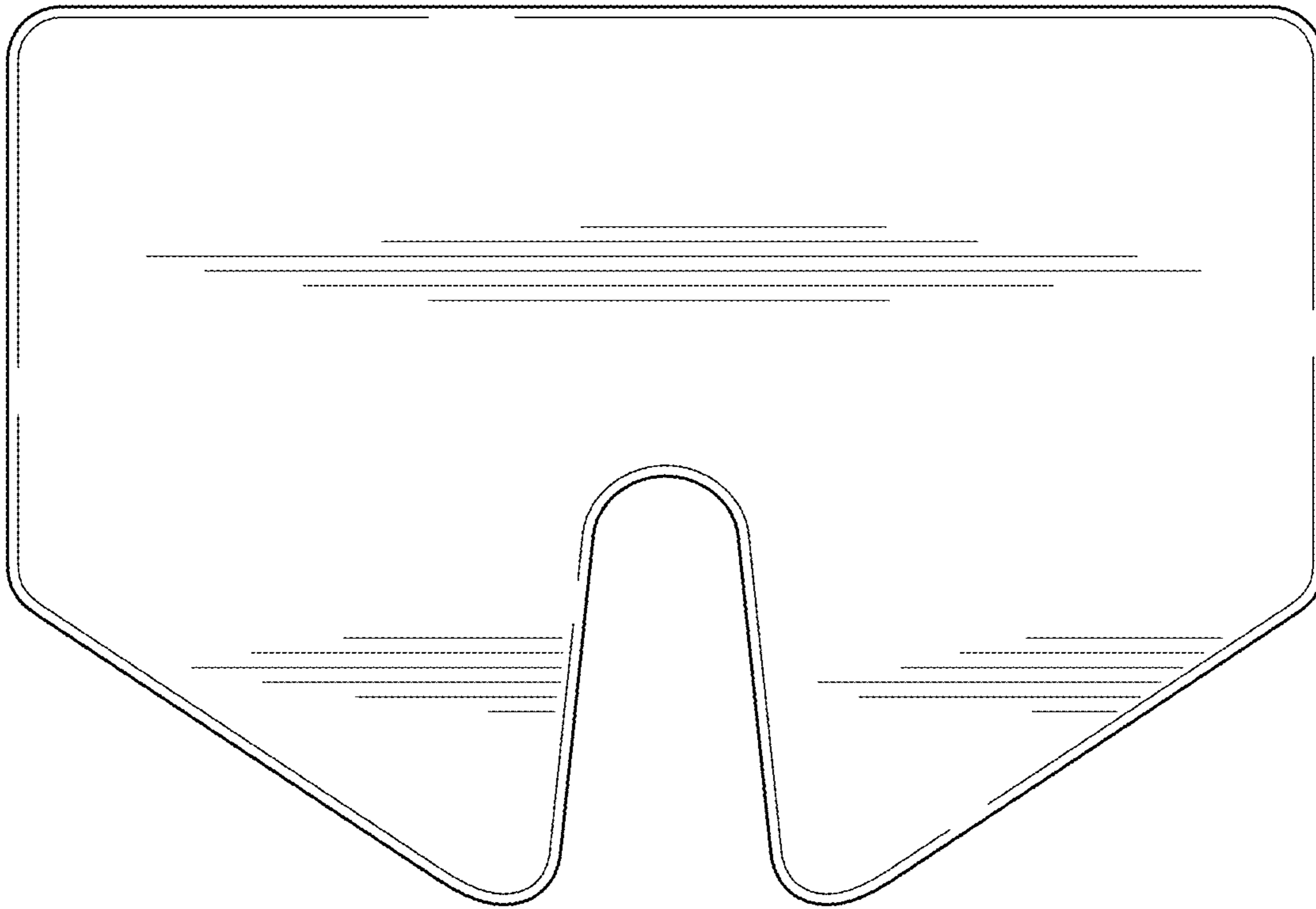


FIG. 6

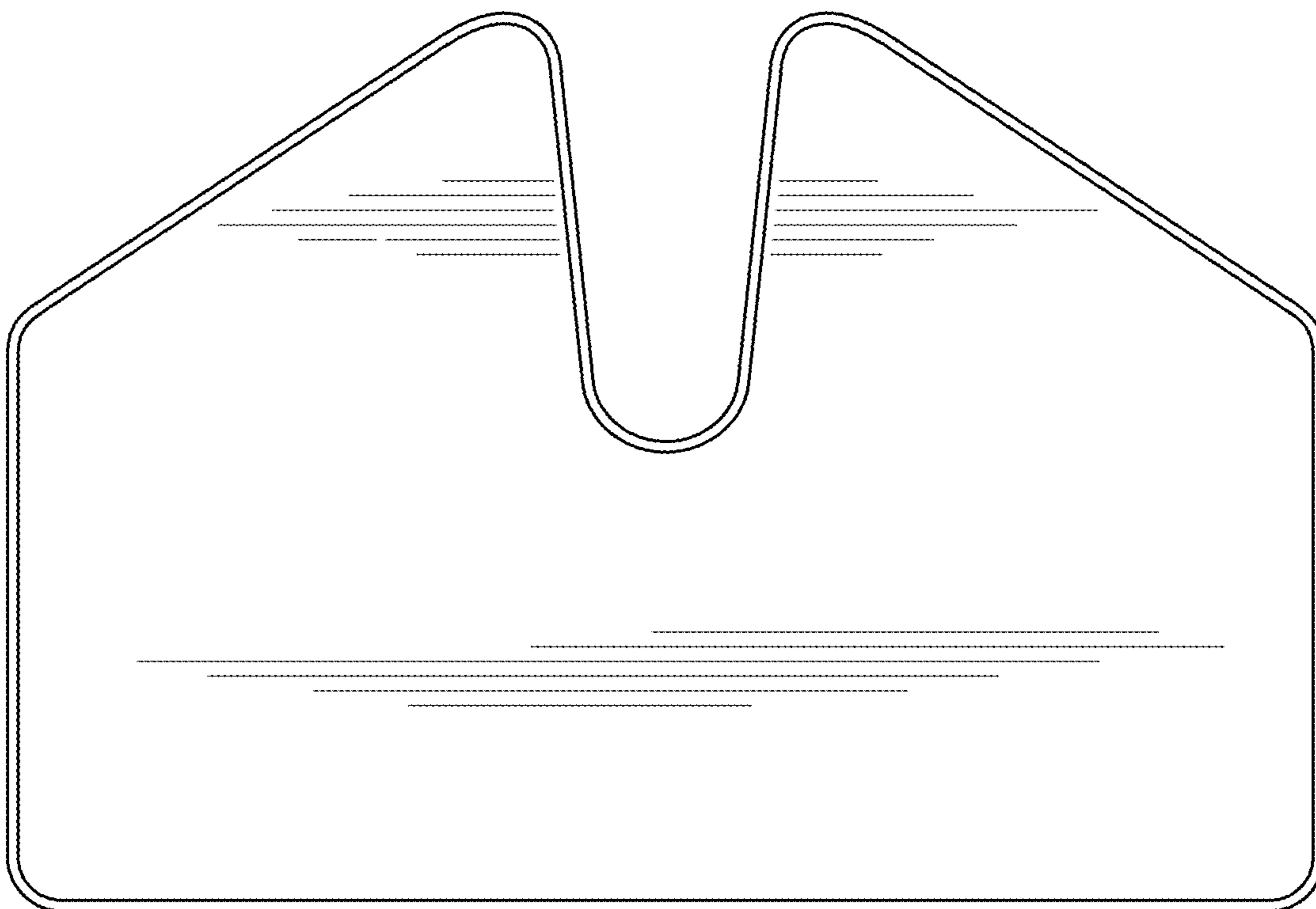


FIG. 7

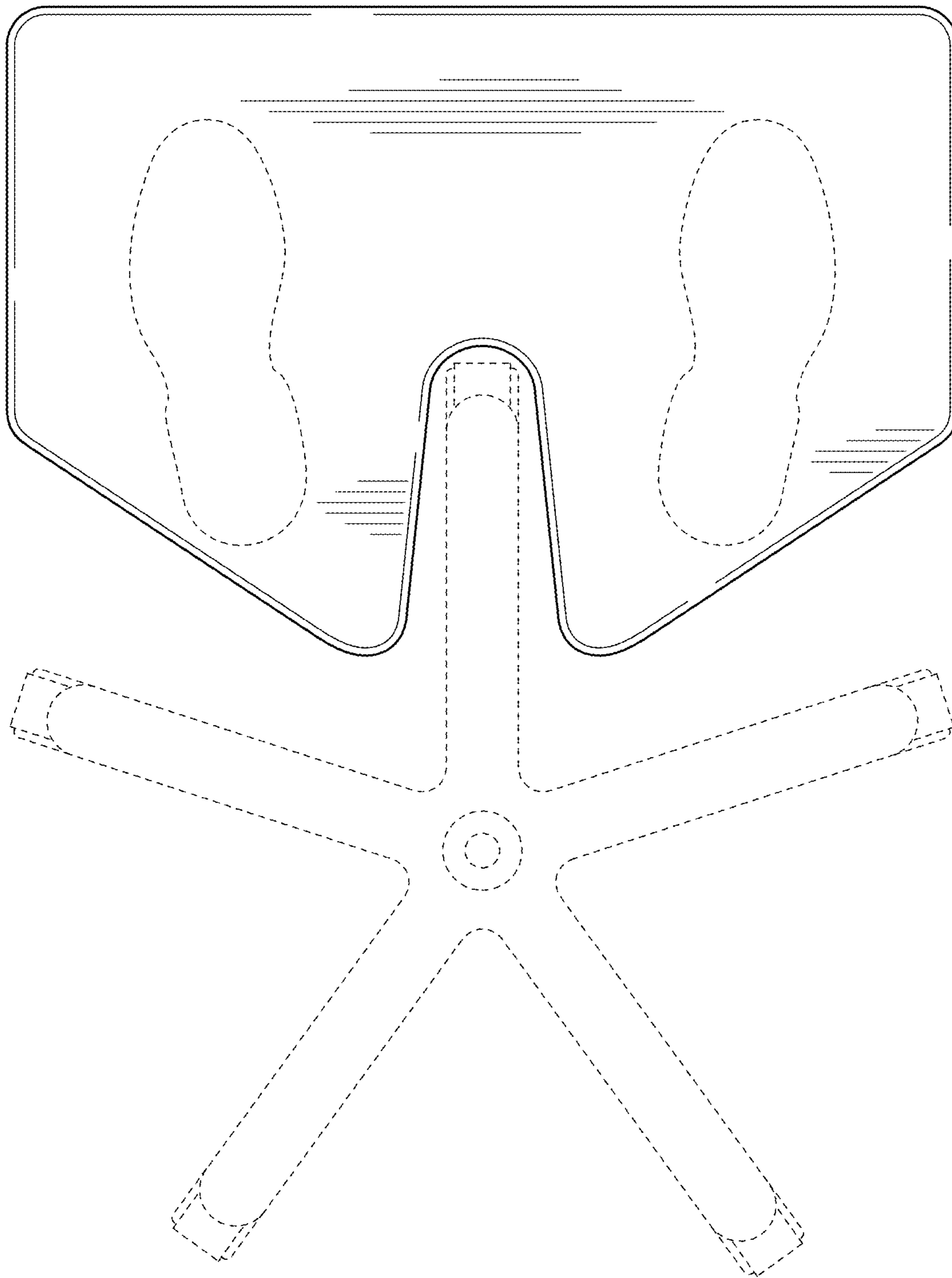


FIG. 8