



US00D894655S

(12) **United States Design Patent** (10) **Patent No.:** **US D894,655 S**  
**Cook et al.** (45) **Date of Patent:** **\*\* Sep. 1, 2020**

- (54) **ARMREST**
- (71) Applicant: **Westfield Outdoor, Inc.**, Indianapolis, IN (US)
- (72) Inventors: **Jordan Lee Cook**, Indianapolis, IN (US); **Daniel Patrick Kelly**, Indianapolis, IN (US); **Darin Michael Webb**, Carmel, IN (US)
- (73) Assignee: **Westfield Outdoor, Inc.**, Indianapolis, IN (US)
- (\*\*) Term: **15 Years**
- (21) Appl. No.: **29/670,134**
- (22) Filed: **Nov. 14, 2018**
- (51) **LOC (12) Cl.** ..... **06-06**
- (52) **U.S. Cl.**  
USPC ..... **D6/716.2**
- (58) **Field of Classification Search**  
USPC ..... D6/328, 334, 354, 355, 364, 366, 601, D6/655, 702, 708, 708.16, 708.17, D6/708.18, 708.23, 708.24, 708.25, 712, D6/716.1, 716.2, 716.3, 716.4, 716.5, D6/716.6, 716.7; D21/662, 694, 695  
CPC .. A47C 1/03; A47C 4/02; A47C 31/00; B64D 11/06; B62J 1/18; B60N 2/01; H01R 13/60  
See application file for complete search history.

- D338,791 S \* 8/1993 Cohen ..... D6/716.2
  - 5,409,291 A 4/1995 Lamb et al.
  - 5,527,088 A 6/1996 MacLean
  - 5,536,064 A 7/1996 MacLean
  - 5,564,779 A 10/1996 Tolbert et al.
  - 5,791,616 A \* 8/1998 Volkmann ..... B60N 3/102 248/311.2
  - D412,251 S 7/1999 Tseng
  - D412,407 S 8/1999 Tseng
- (Continued)

*Primary Examiner* — Kevin K Rudzinski  
*Assistant Examiner* — Paul D Bohannon  
(74) *Attorney, Agent, or Firm* — Thompson Coburn LLP

(57) **CLAIM**

The ornamental design for an armrest, as shown and described.

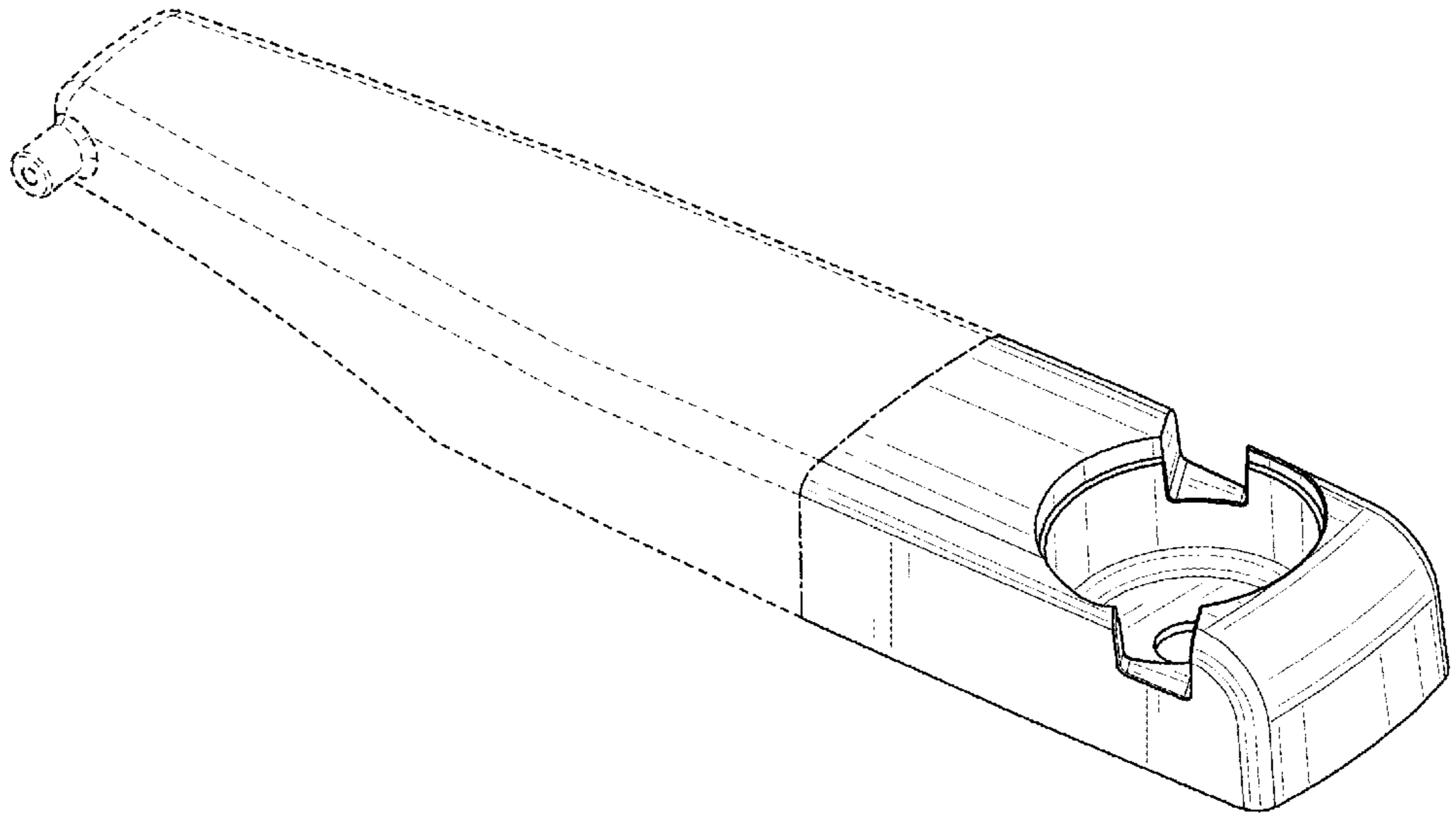
**DESCRIPTION**

FIG. 1 is perspective view of a first embodiment of an armrest showing our new design; FIG. 2 is a left side view thereof; FIG. 3 is a right side view thereof; FIG. 4 is a top plan view thereof; FIG. 5 is a bottom view thereof; FIG. 6 is a front elevational view thereof; FIG. 7 is a rear view thereof; FIG. 8 is perspective view of a second embodiment of an armrest showing our new design; FIG. 9 is a left side view thereof; FIG. 10 is a right side view thereof; FIG. 11 is a top plan view thereof; FIG. 12 is a bottom view thereof; FIG. 13 is a front elevational view thereof; and, FIG. 14 is a rear view thereof.

The dash dot dash lines adjacent the shaded areas show the bounds of the claimed design and form no part of the claimed design. The even dashed lines show environment and form no part of the claimed design.

**1 Claim, 10 Drawing Sheets**

- (56) **References Cited**  
U.S. PATENT DOCUMENTS
- 3,151,909 A 10/1964 Gerdetz
- 3,233,940 A \* 2/1966 Tooley, Jr. .... A47C 7/62 297/188.18
- 4,514,009 A 4/1985 Vanderminden et al.
- 4,577,901 A 3/1986 Phillips
- 4,715,650 A 12/1987 Berman et al.
- 4,889,383 A 12/1989 Jones
- 5,054,848 A 10/1991 Liu



(56)

**References Cited**

U.S. PATENT DOCUMENTS

6,000,752	A	12/1999	Shyr	
6,764,132	B1	7/2004	Gaertner	
RE39,022	E	3/2006	Welsh	
D521,281	S *	5/2006	Luebke .....	D6/356
7,118,172	B1	10/2006	Pattison-Sheets	
D547,981	S	8/2007	Cohen	
D557,949	S *	12/2007	Moorhouse .....	D6/716.2
D571,115	S	6/2008	Cohen	
D639,577	S	6/2011	Tseng	
D651,010	S	12/2011	Cohen	
D654,714	S	2/2012	Tseng	
8,197,000	B1	6/2012	Cohen	
8,333,428	B2	12/2012	Zhu et al.	
8,905,471	B2	12/2014	Tang	
9,185,983	B1	11/2015	Cohen	
9,681,753	B1	6/2017	Rudolph	
D804,232	S	12/2017	Oliphant et al.	
D804,880	S	12/2017	Oliphant et al.	
10,368,649	B2 *	8/2019	Cohen .....	B67B 7/16
10,405,659	B2 *	9/2019	Garrison .....	H04M 1/04
10,414,310	B2 *	9/2019	Nozaki .....	A47C 7/54
D867,044	S *	11/2019	Cohen .....	D6/716.2
2011/0025105	A1 *	2/2011	Henke .....	B60N 3/101 297/188.14
2016/0198856	A1	7/2016	Grace	

\* cited by examiner

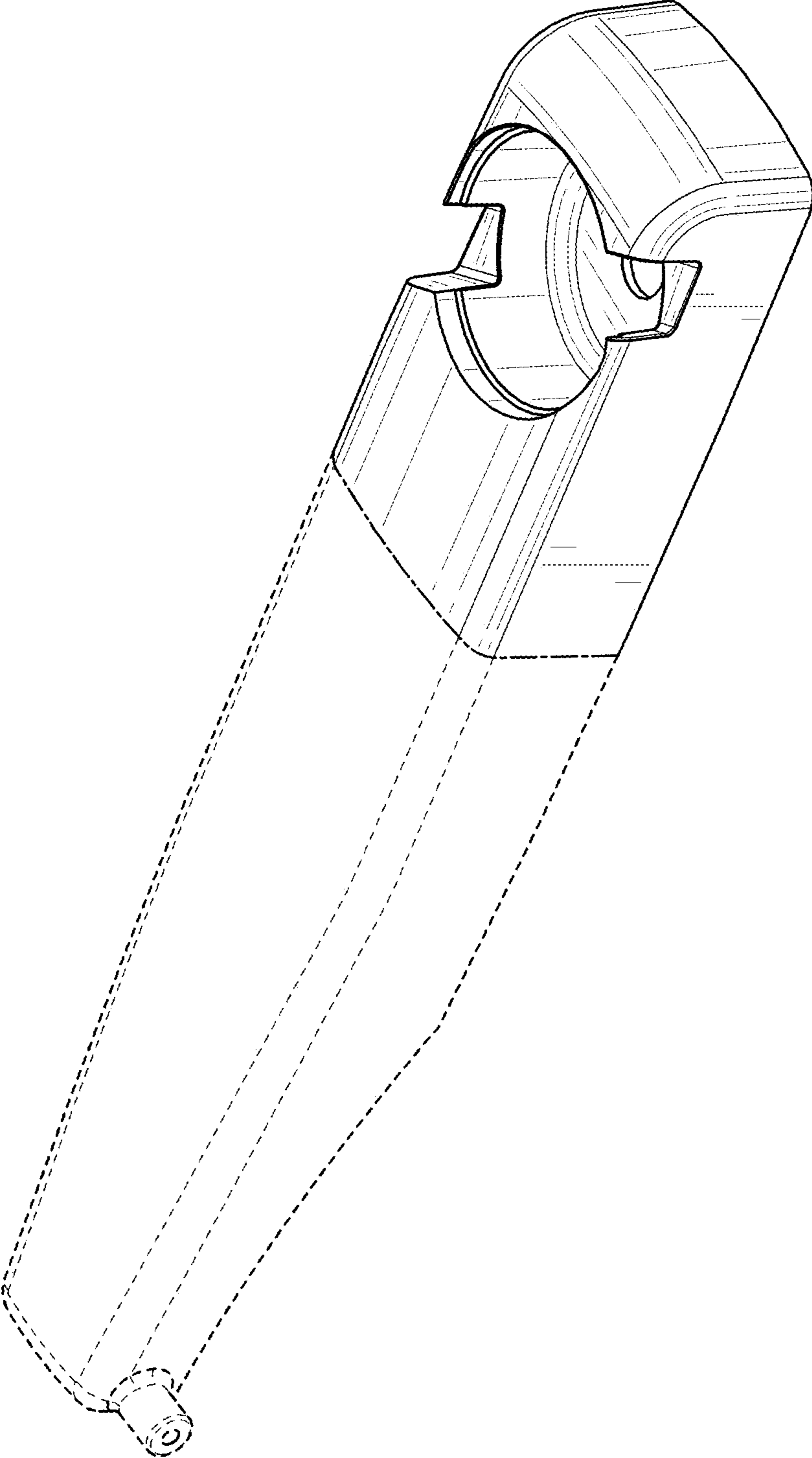


FIG. 1

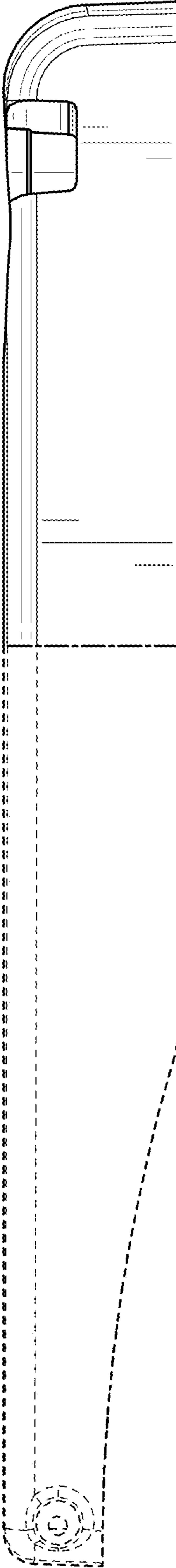


FIG. 2

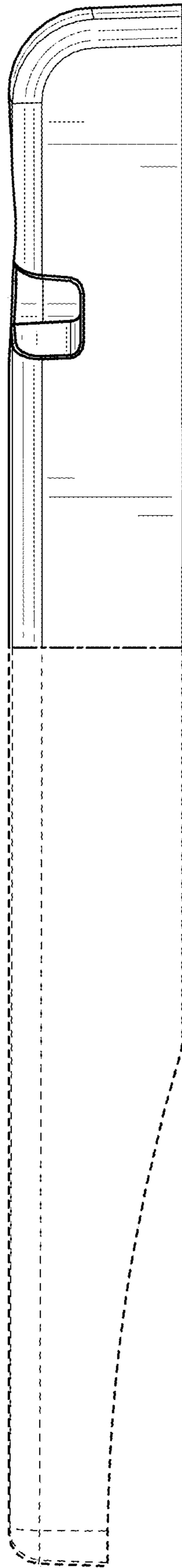


FIG. 3

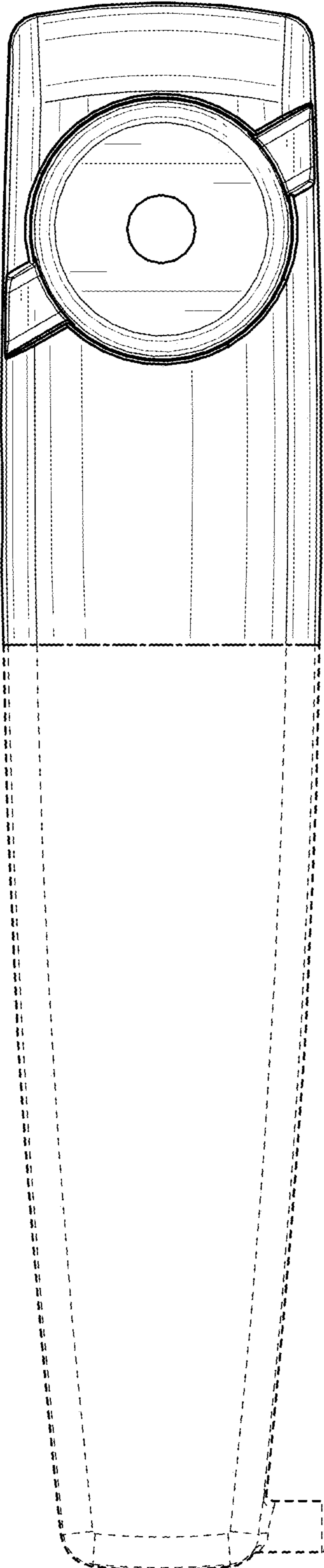


FIG. 4

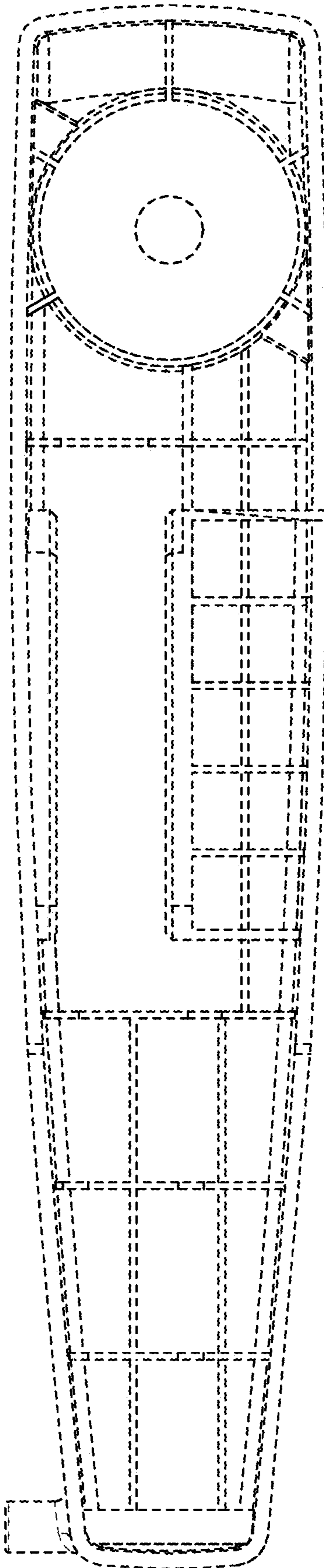


FIG. 5

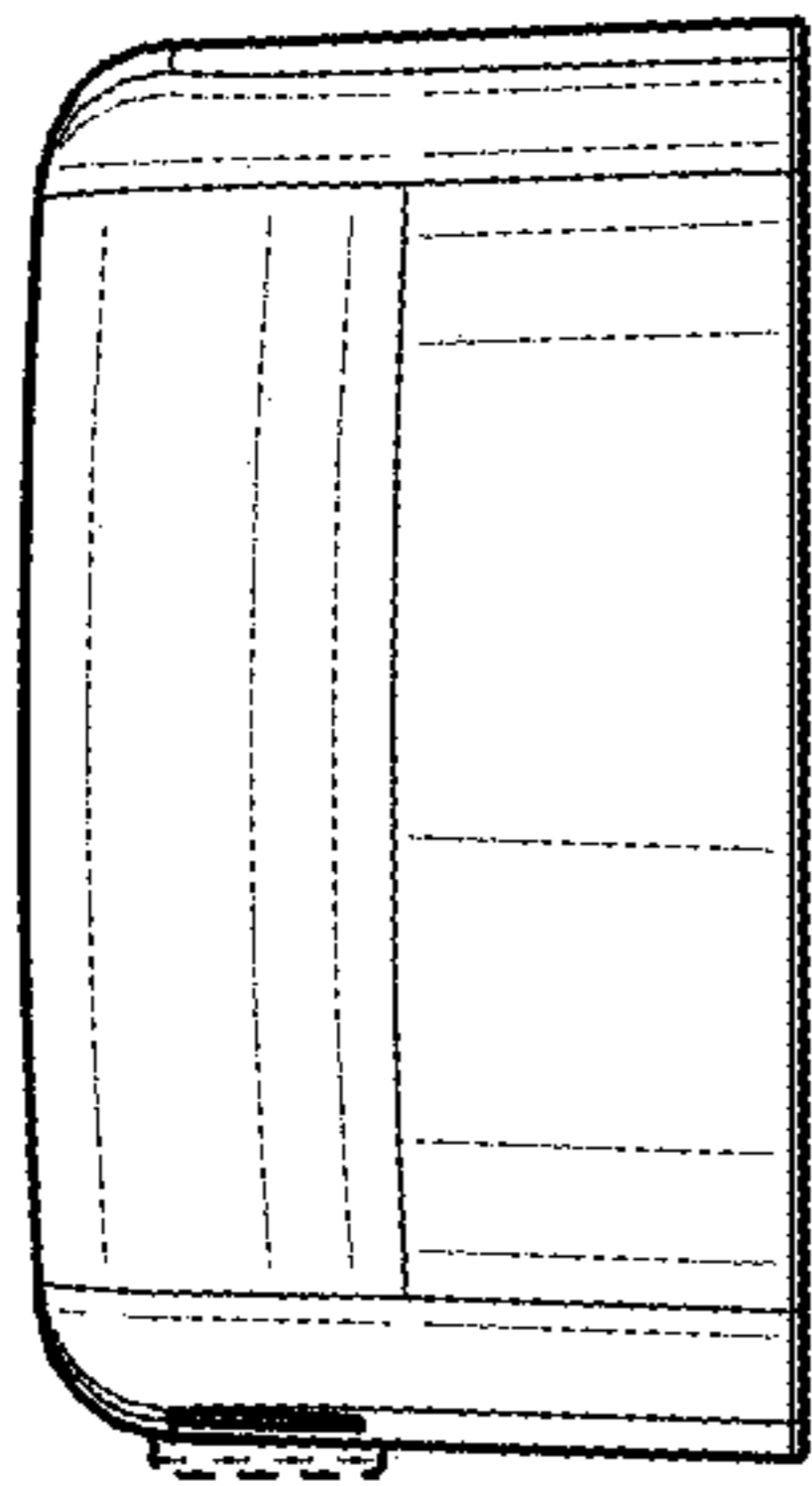


FIG. 6

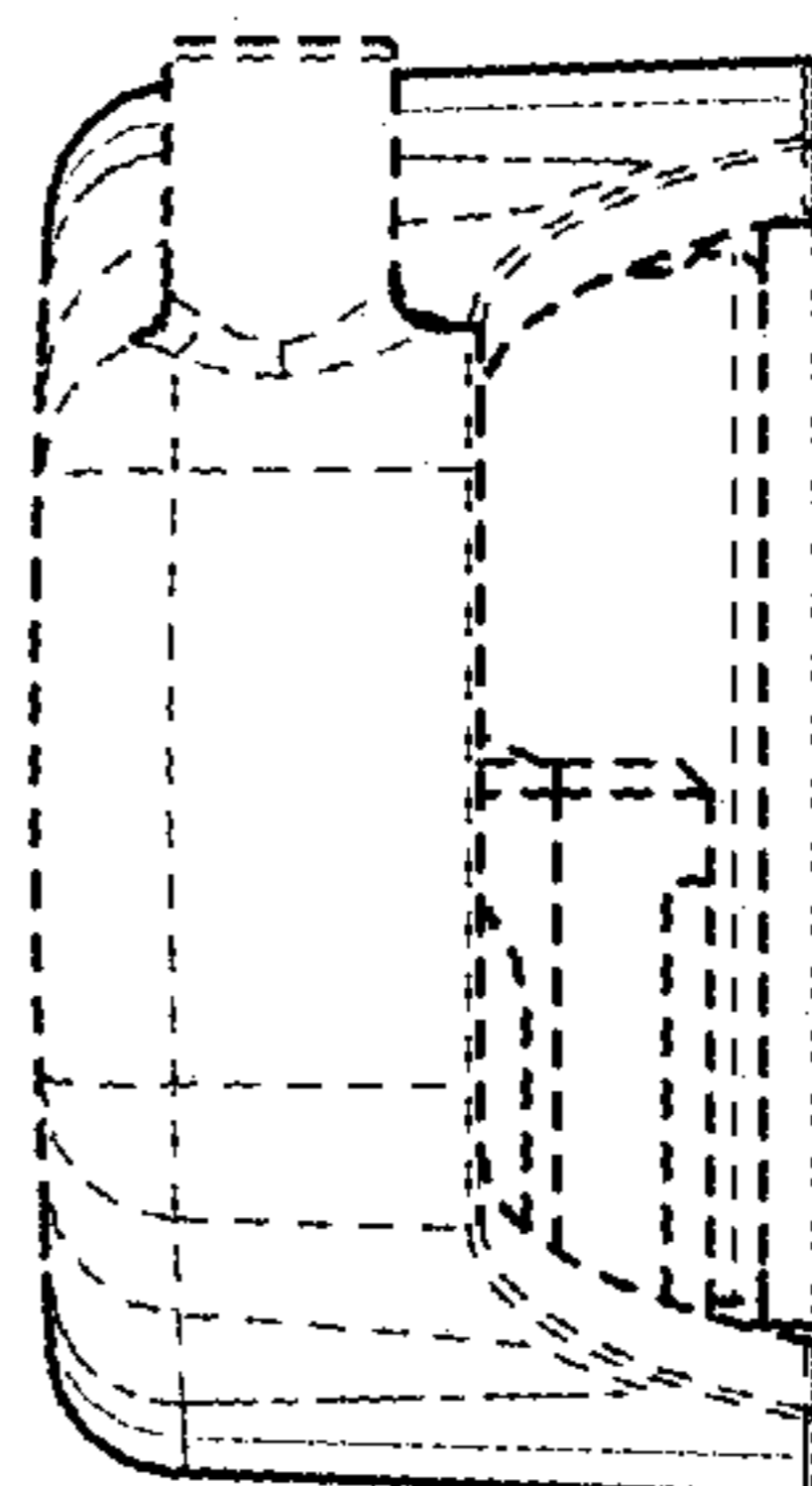


FIG. 7

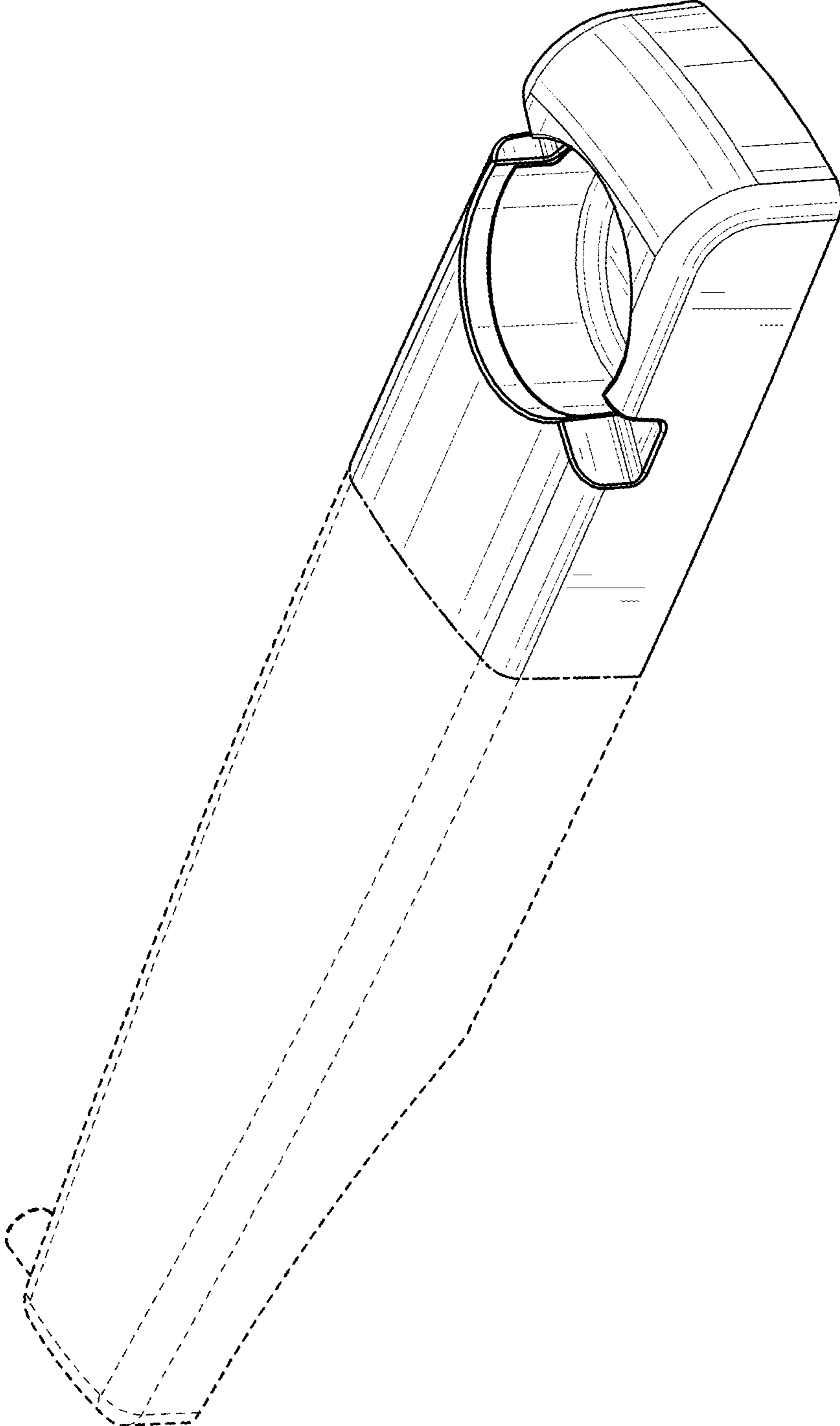


FIG. 8



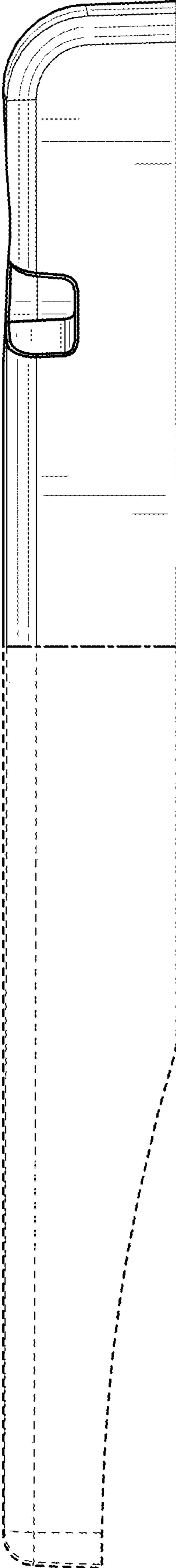


FIG. 9

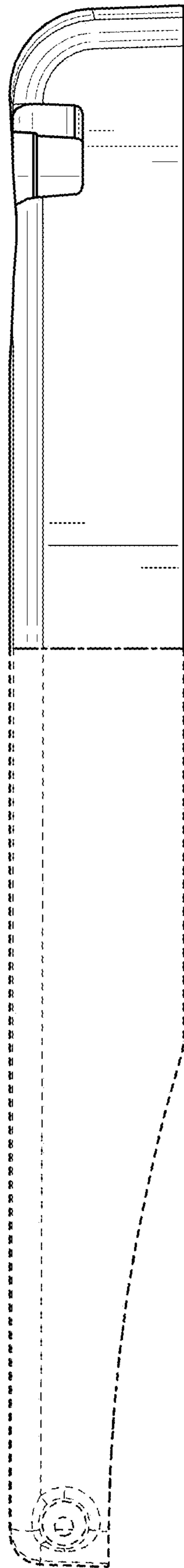


FIG. 10

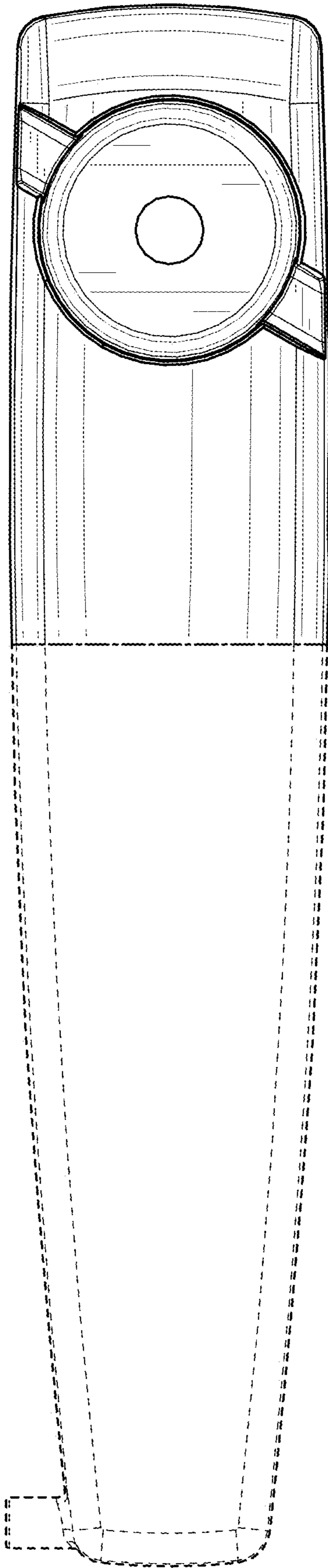


FIG. 11

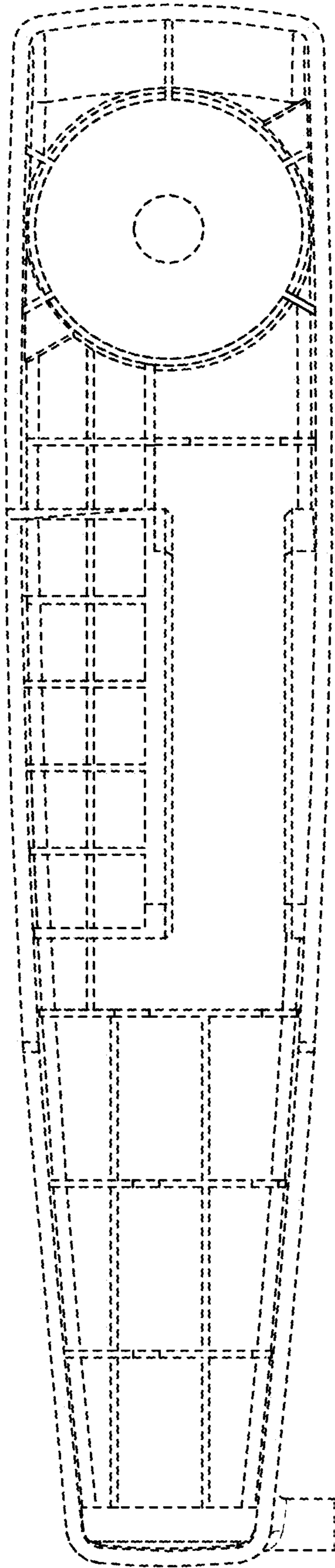


FIG. 12

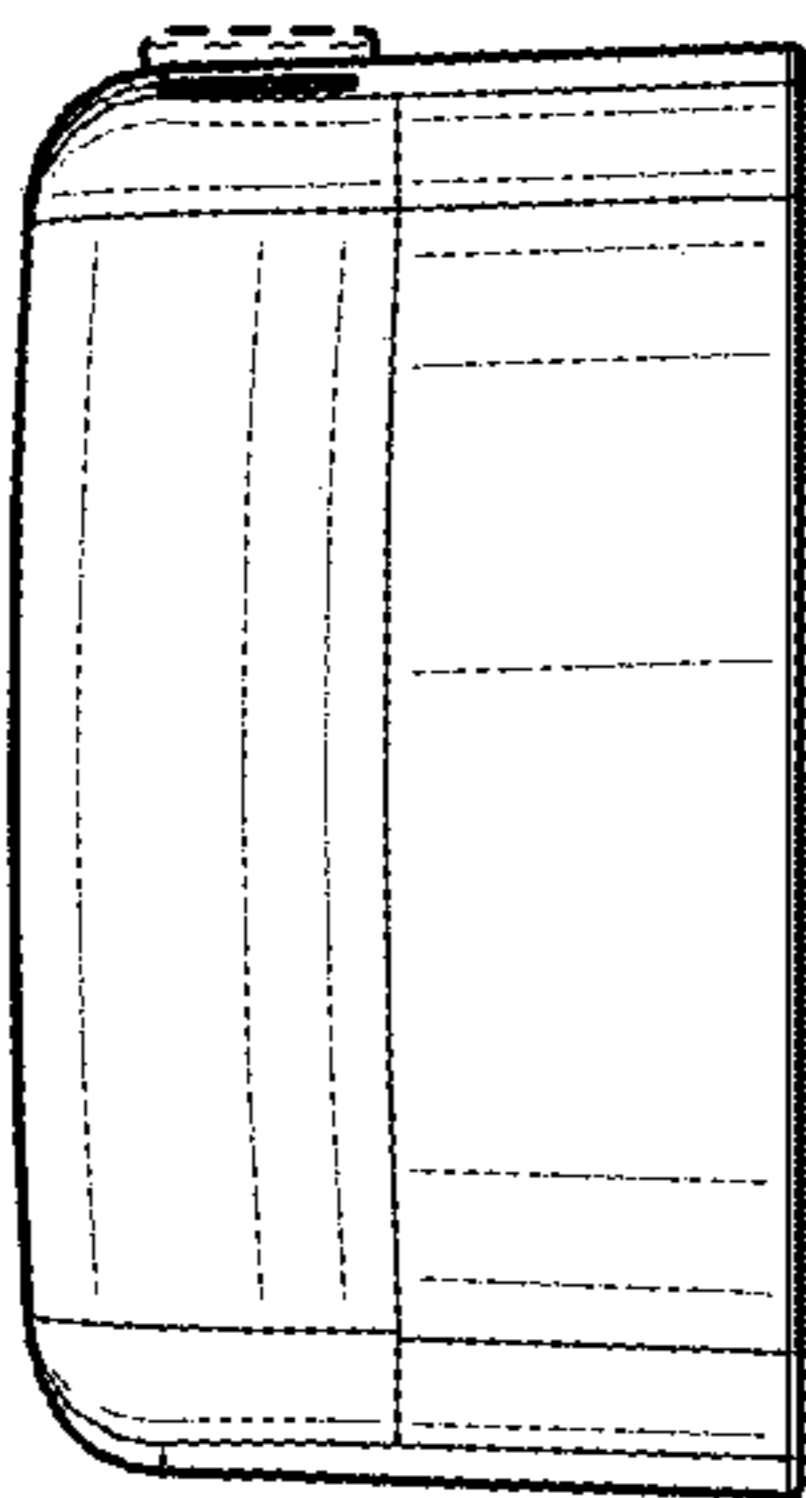


FIG. 13

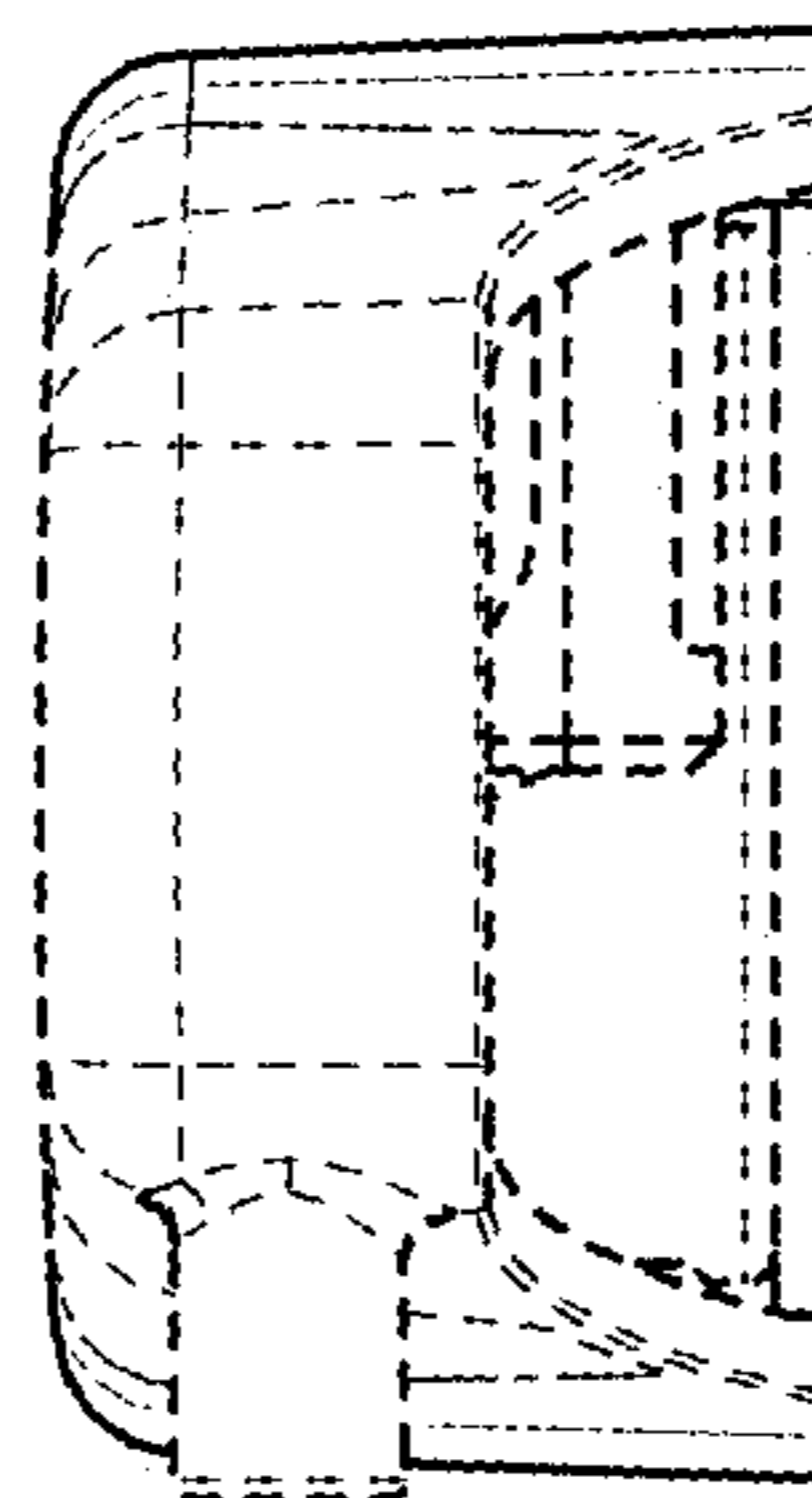


FIG. 14