



US00D894652S

(12) **United States Design Patent**
De Grandis

(10) **Patent No.:** **US D894,652 S**

(45) **Date of Patent:** **** Sep. 1, 2020**

(54) **MUSIC STAND TRAY EXTENSION**

(71) Applicant: **Ronald De Grandis**, Bethlehem, PA
(US)

(72) Inventor: **Ronald De Grandis**, Bethlehem, PA
(US)

(**) Term: **15 Years**

(21) Appl. No.: **29/670,803**

(22) Filed: **Nov. 20, 2018**

(51) **LOC (12) Cl.** **06-06**

(52) **U.S. Cl.**
USPC **D6/701**

(58) **Field of Classification Search**
USPC D6/668, 672, 685, 686, 688, 688.11,
D6/688.19, 691.1, 691.9, 692, 692.3,
D6/692.5, 694, 695, 695.2, 696, 696.1,
D6/696.2, 696.3, 697, 698, 699, 699.2,
D6/699.4, 701, 705, 707, 707.22, 707.23,
D6/707.24, 709
CPC .. A47B 37/00; A47B 3/00; A47B 1/00; A47B
3/06; A47B 3/08; A47B 7/00; A47B
21/00; A47B 23/00; A47B 25/00; A47B
13/08; A47B 3/083; A47B 3/14; A47B
41/00; A47B 17/00; A47B 3/0809; A47B
3/0812; A47B 2013/026; A47B 2200/03;
A47B 2200/00; A47B 2003/0821; A47C
3/045

See application file for complete search history.

(56) **References Cited**

U.S. PATENT DOCUMENTS

1,359,811 A 11/1920 Kirkendall
2,156,489 A * 5/1939 Bonetti A47B 19/002
248/461
3,313,514 A 4/1967 Swett
D217,161 S * 4/1970 Sobel D6/705

4,300,743 A 11/1981 Morris
4,312,490 A * 1/1982 Biasini A47B 19/002
248/441.1
4,372,518 A * 2/1983 Biasini A47B 19/002
248/441.1
D276,779 S 12/1984 Gomez
D278,343 S * 4/1985 Roch D15/123
4,650,145 A * 3/1987 Natzel F16M 11/28
248/188.5
D321,293 S * 11/1991 Kucsak D6/672
D330,649 S * 11/1992 Lemire D6/672
5,692,719 A * 12/1997 Shepherd A47B 19/002
248/188.7
6,143,970 A * 11/2000 Kowzan G10D 3/046
211/70.1

(Continued)

FOREIGN PATENT DOCUMENTS

FR 2737596 2/1997

Primary Examiner — Mary Ann Calabrese

Assistant Examiner — Catherine Ho

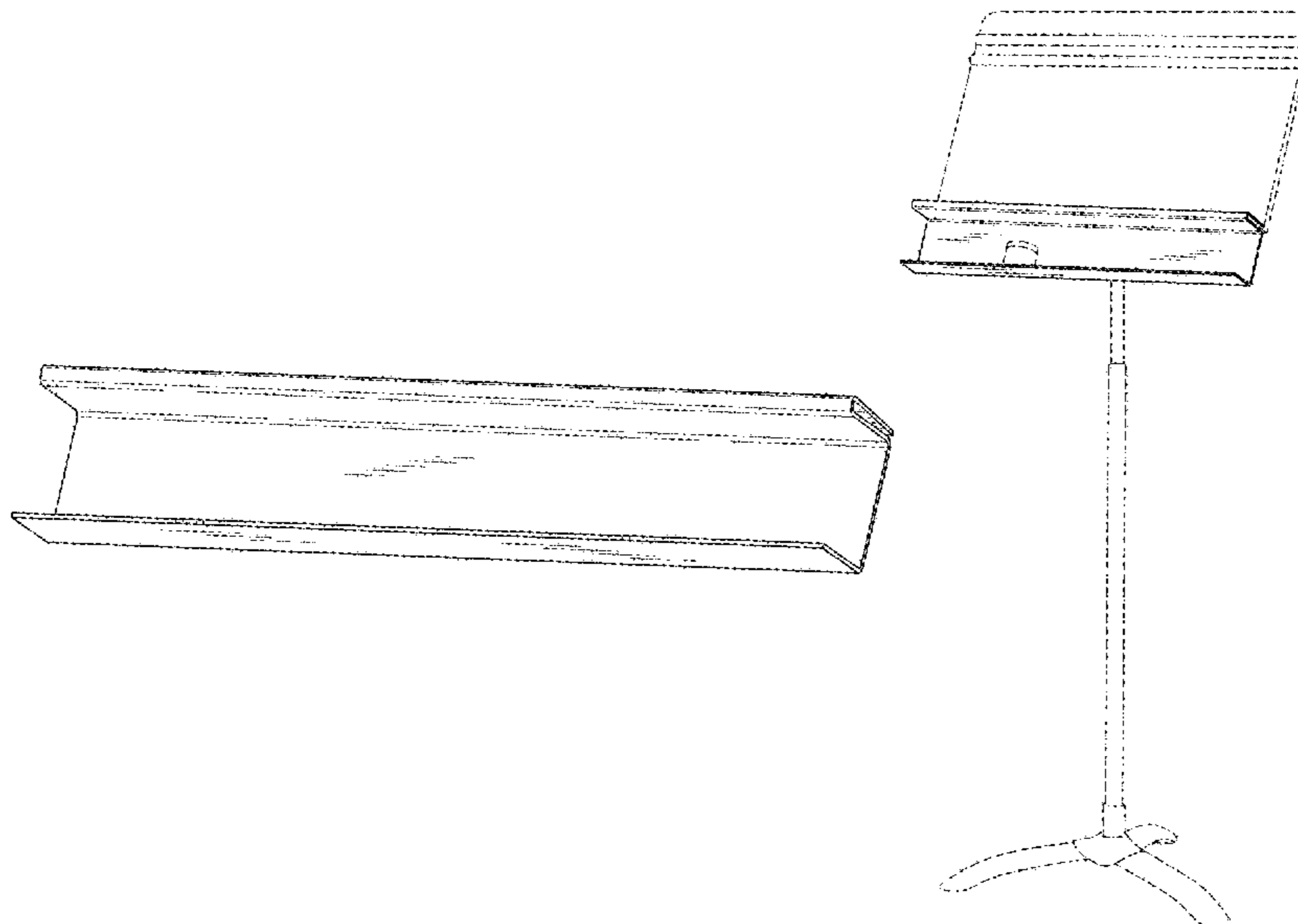
(57) **CLAIM**

I claim the ornamental design for a music stand tray extension, as shown and described.

DESCRIPTION

FIG. 1 is a front view of a music stand tray extension, showing my new design;
FIG. 2 is a rear view thereof;
FIG. 3 is a left side view thereof;
FIG. 4 is a right side view thereof;
FIG. 5 is a top view thereof;
FIG. 6 is a bottom view thereof;
FIG. 7 is a perspective view thereof; and,
FIG. 8 is a perspective view of a music stand tray extension shown in an environment of use.
The broken line portion of the figure drawings is included to show environment that forms no part of the claimed design.

1 Claim, 4 Drawing Sheets



(56)

References Cited

U.S. PATENT DOCUMENTS

6,264,161 B1 * 7/2001 Waggoner A47B 19/002
248/188.6
D461,977 S * 8/2002 Mitchell D6/701
6,802,485 B1 10/2004 Cassidy
D510,205 S 10/2005 Nickel
D751,304 S * 3/2016 Hickman D3/304

* cited by examiner

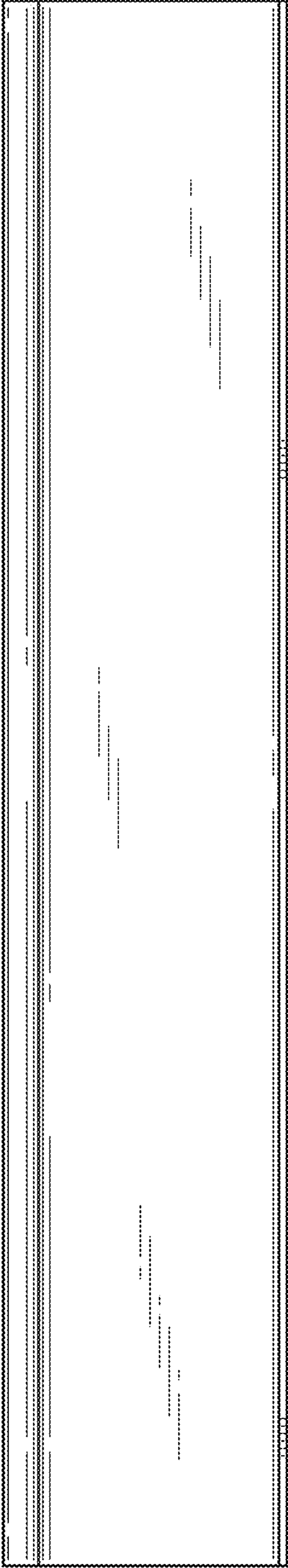


FIG. 1



FIG. 2

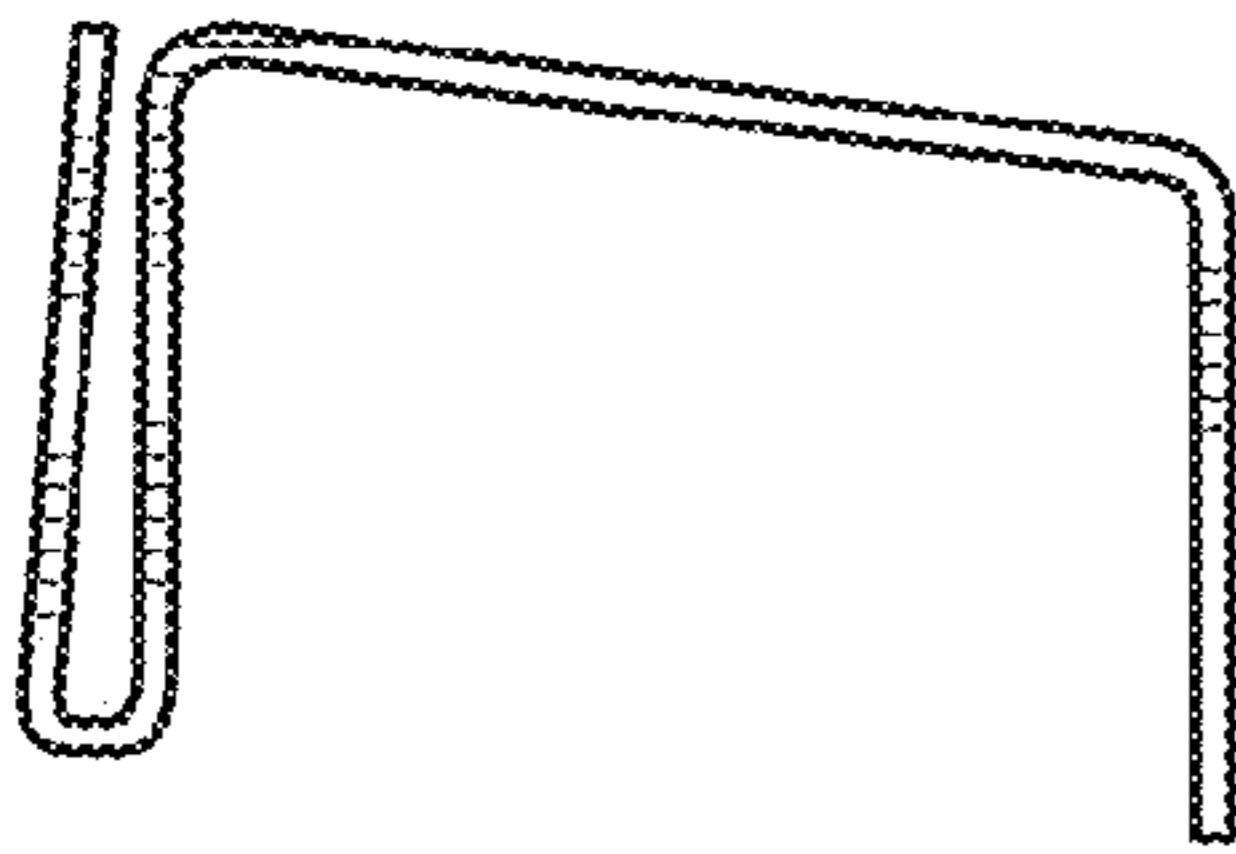


FIG. 3



FIG. 4

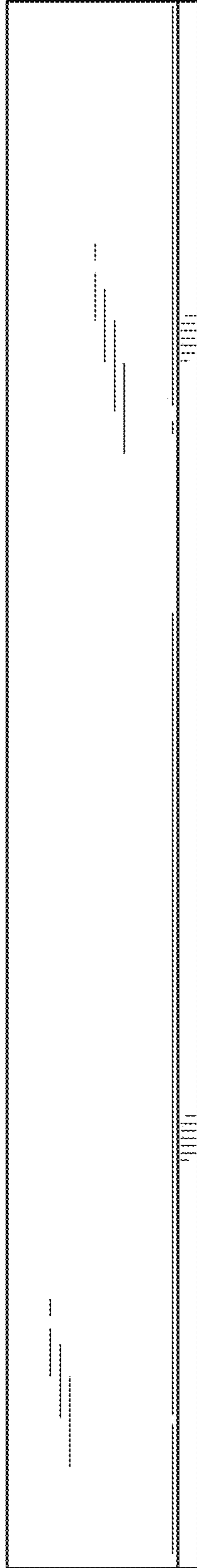


FIG. 5

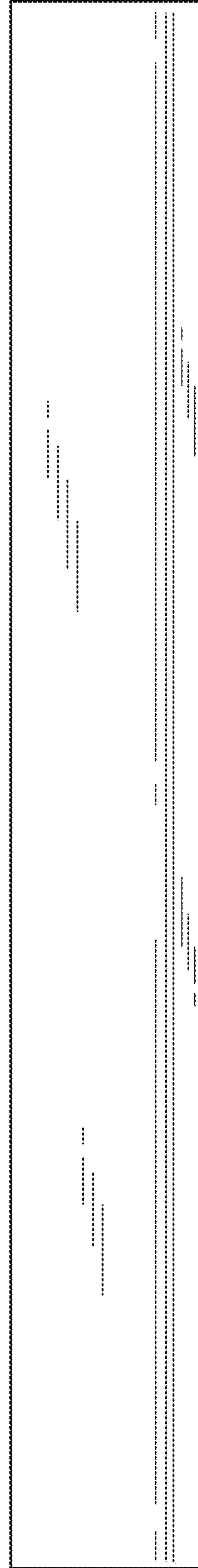


FIG. 6

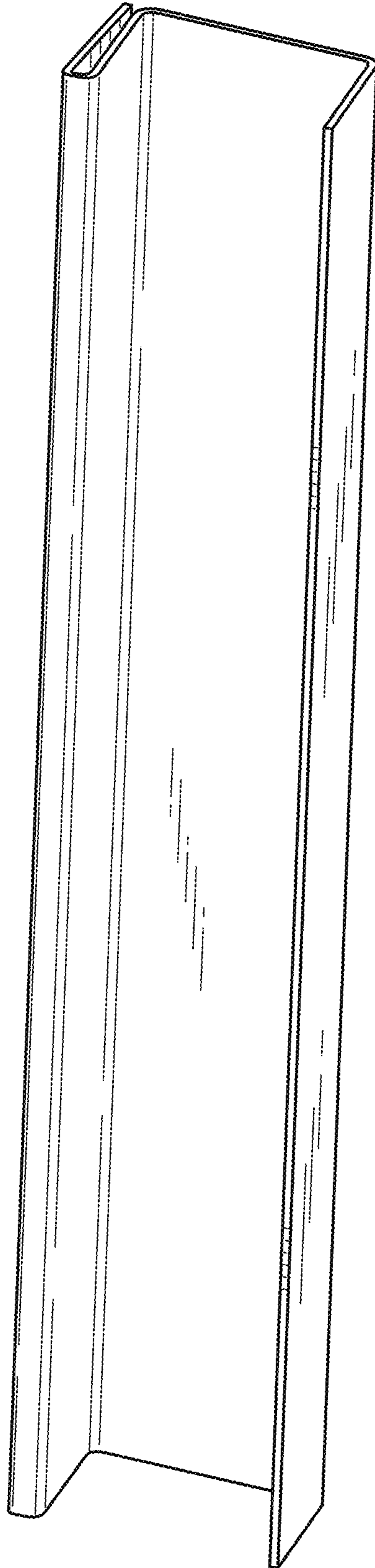


FIG. 7

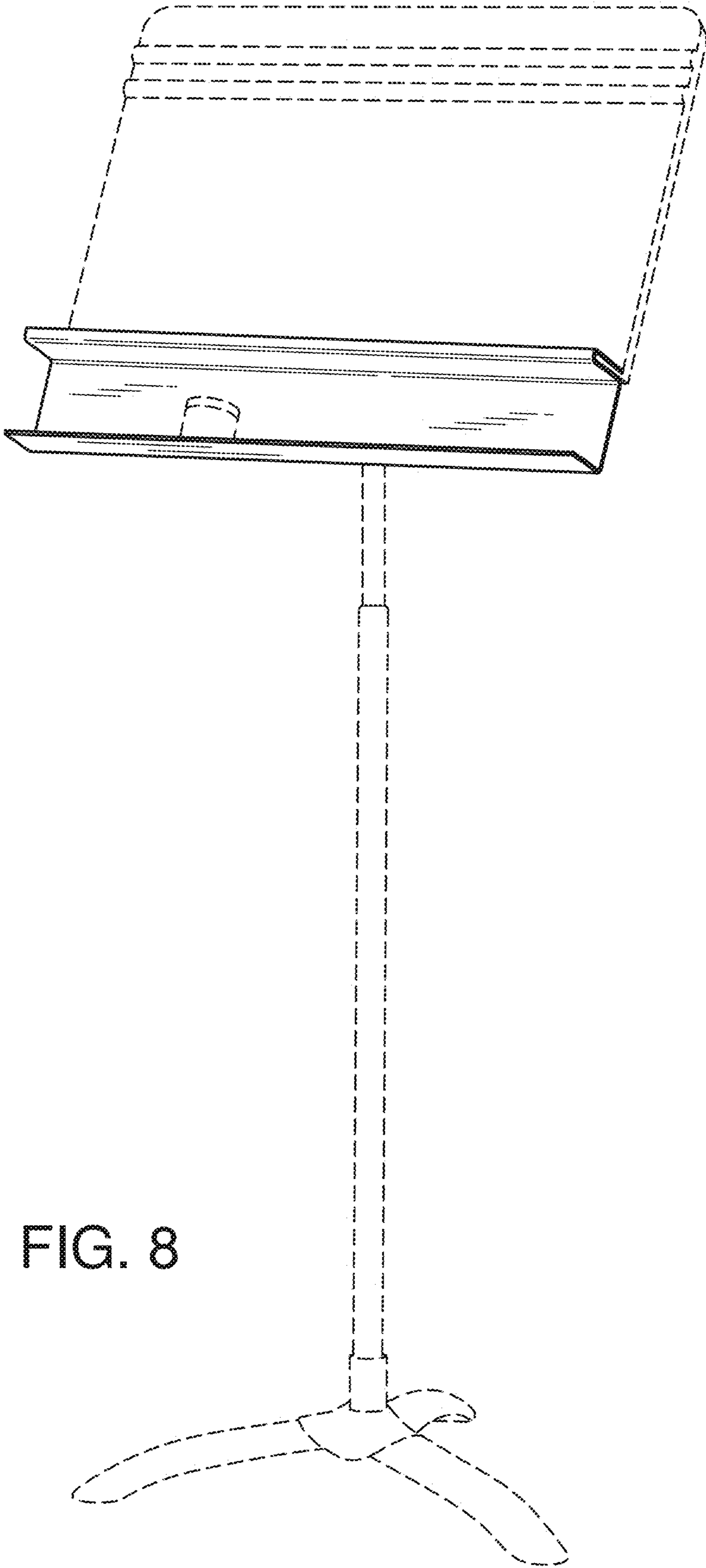


FIG. 8